



US00D618306S

(12) **United States Design Patent**  
**Burnworth**

(10) **Patent No.:** **US D618,306 S**

(45) **Date of Patent:** **\*\* Jun. 22, 2010**

(54) **ROTOR SPRINKLER COMPONENT**

*Primary Examiner*—Robin V Webster

(74) *Attorney, Agent, or Firm*—Maginot, Moore & Beck

(75) **Inventor:** **Douglas J. Burnworth**, Confluence, PA  
(US)

(57) **CLAIM**

(73) **Assignee:** **Gilmour, Inc.**, Newark, DE (US)

The ornamental design for a rotor sprinkler component, as shown and described.

(\*\*) **Term:** **14 Years**

(21) **Appl. No.:** **29/345,786**

**DESCRIPTION**

(22) **Filed:** **Oct. 22, 2009**

(51) **LOC (9) Cl.** ..... **23-01**

(52) **U.S. Cl.** ..... **D23/214**

(58) **Field of Classification Search** ..... D23/213,  
D23/214, 217; 239/230, 231, 204–206, 222.11  
See application file for complete search history.

FIG. 1 is a perspective view of a rotor sprinkler component showing my new design;

FIG. 2 is a left side elevational view showing the design for the rotor sprinkler component of FIG. 1;

FIG. 3 is a right side elevational view showing the design for the rotor sprinkler component of FIG. 1;

FIG. 4 is a front elevational view showing the design for the rotor sprinkler component of FIG. 1;

FIG. 5 is a rear elevational view showing the design for the rotor sprinkler component of FIG. 1;

FIG. 6 is a top elevational view showing the design for the rotor sprinkler component of FIG. 1; and,

FIG. 7 is a bottom elevational view showing the design for the rotor sprinkler component of FIG. 1.

The broken line showing of portions of the rotor sprinkler component is included for illustrative purposes only and forms no part of the claimed design.

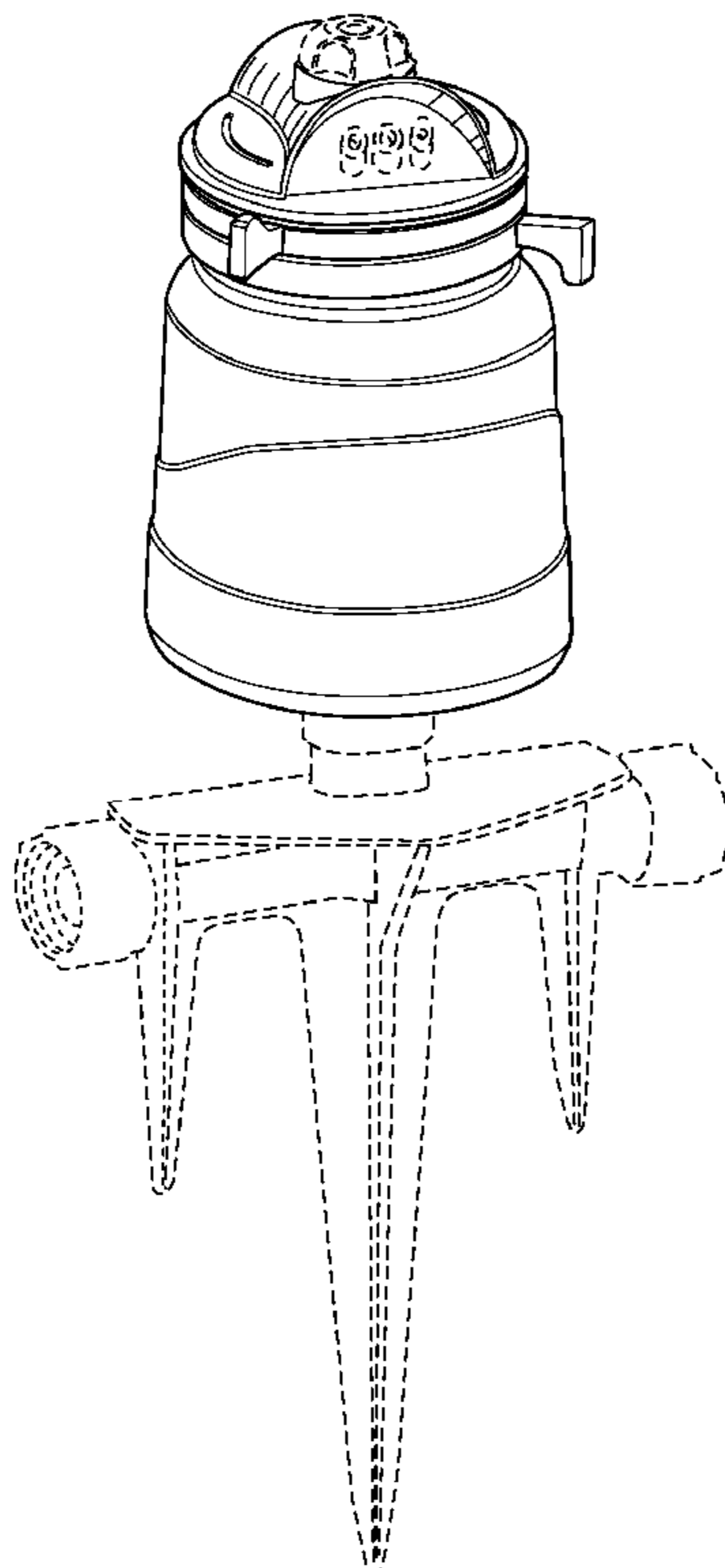
(56) **References Cited**

**U.S. PATENT DOCUMENTS**

D378,399 S	3/1997	Simonetti et al.	
5,769,322 A	6/1998	Smith	
D443,914 S	6/2001	Heren et al.	
D466,585 S *	12/2002	Alkalay	..... D23/214
D475,434 S	6/2003	Abbott	
D507,818 S	7/2005	Wu	
D508,973 S	8/2005	Sener et al.	
7,191,958 B1 *	3/2007	Wang	..... 239/200
D562,939 S	2/2008	Lo	
7,566,012 B2 *	7/2009	Wang et al.	..... 239/237
D601,658 S *	10/2009	Wang et al.	..... D23/214

\* cited by examiner

**1 Claim, 6 Drawing Sheets**



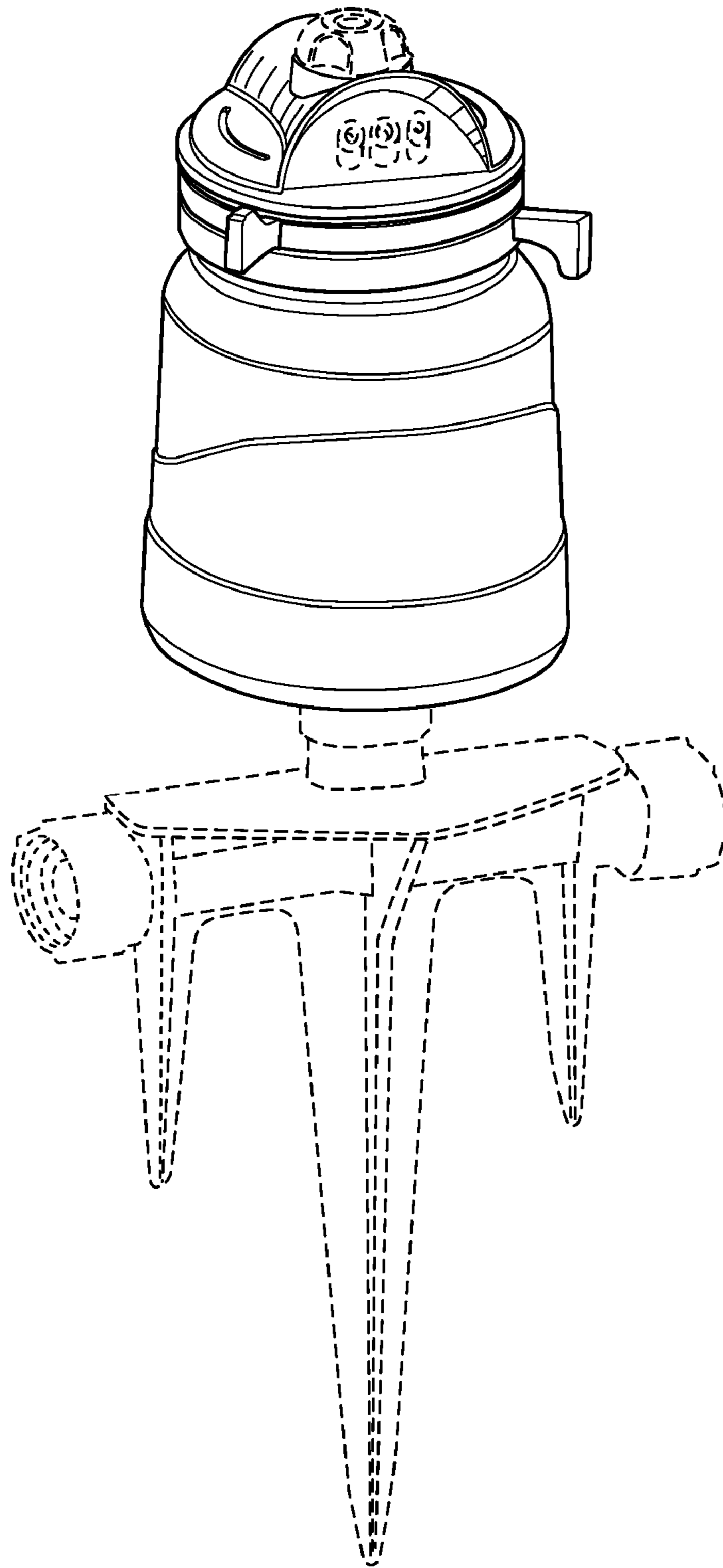


FIG. 1

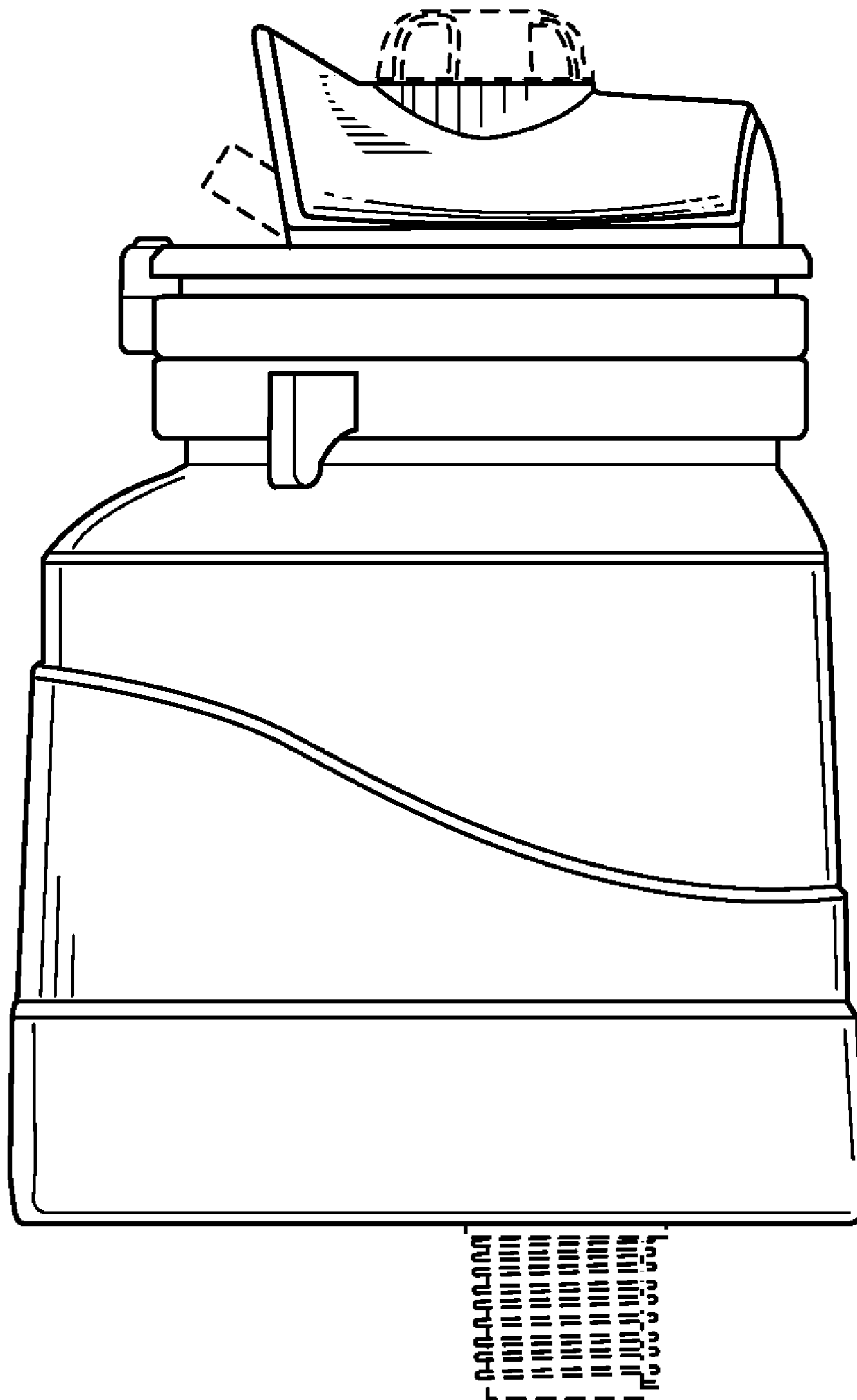


FIG. 2

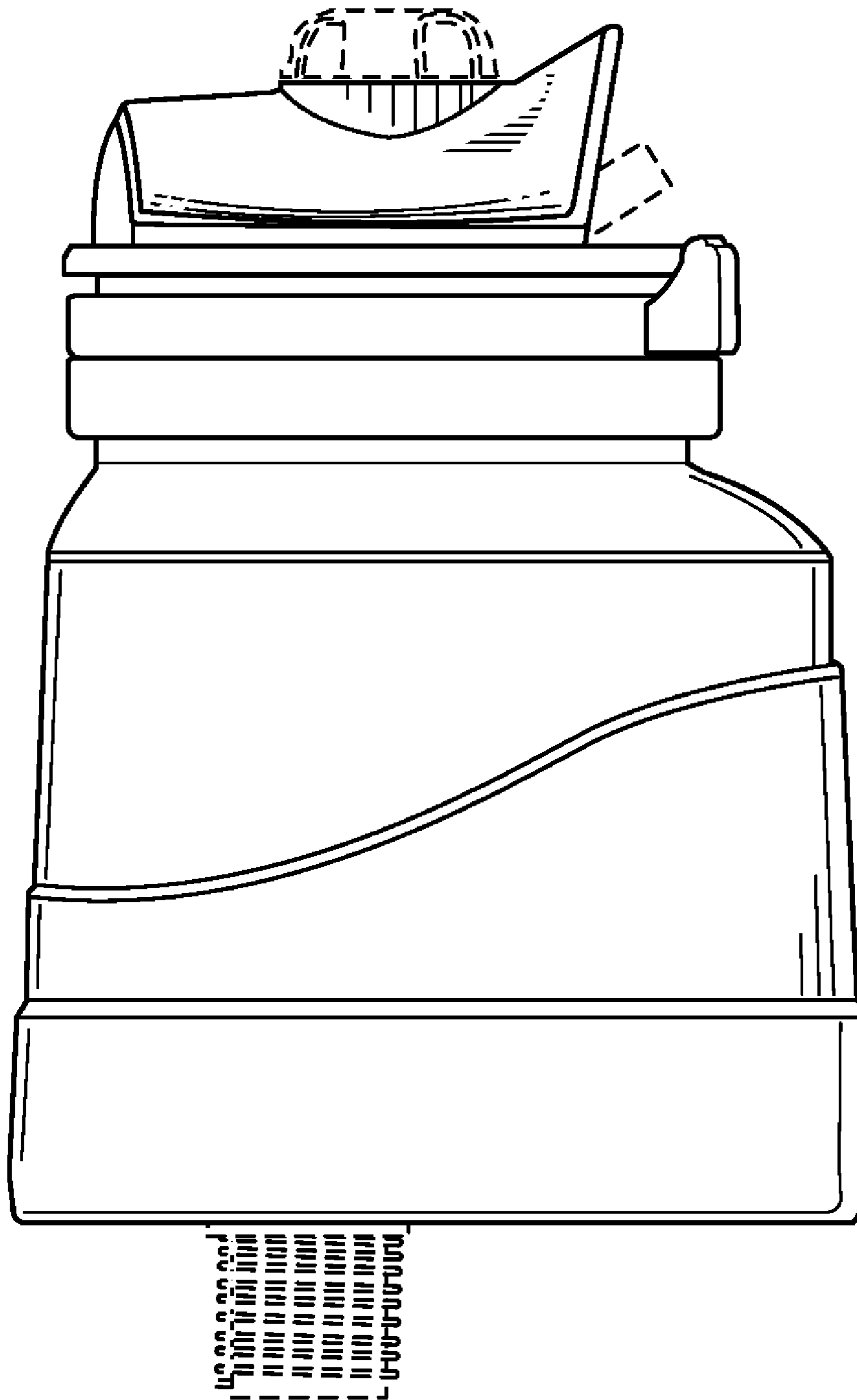


FIG. 3

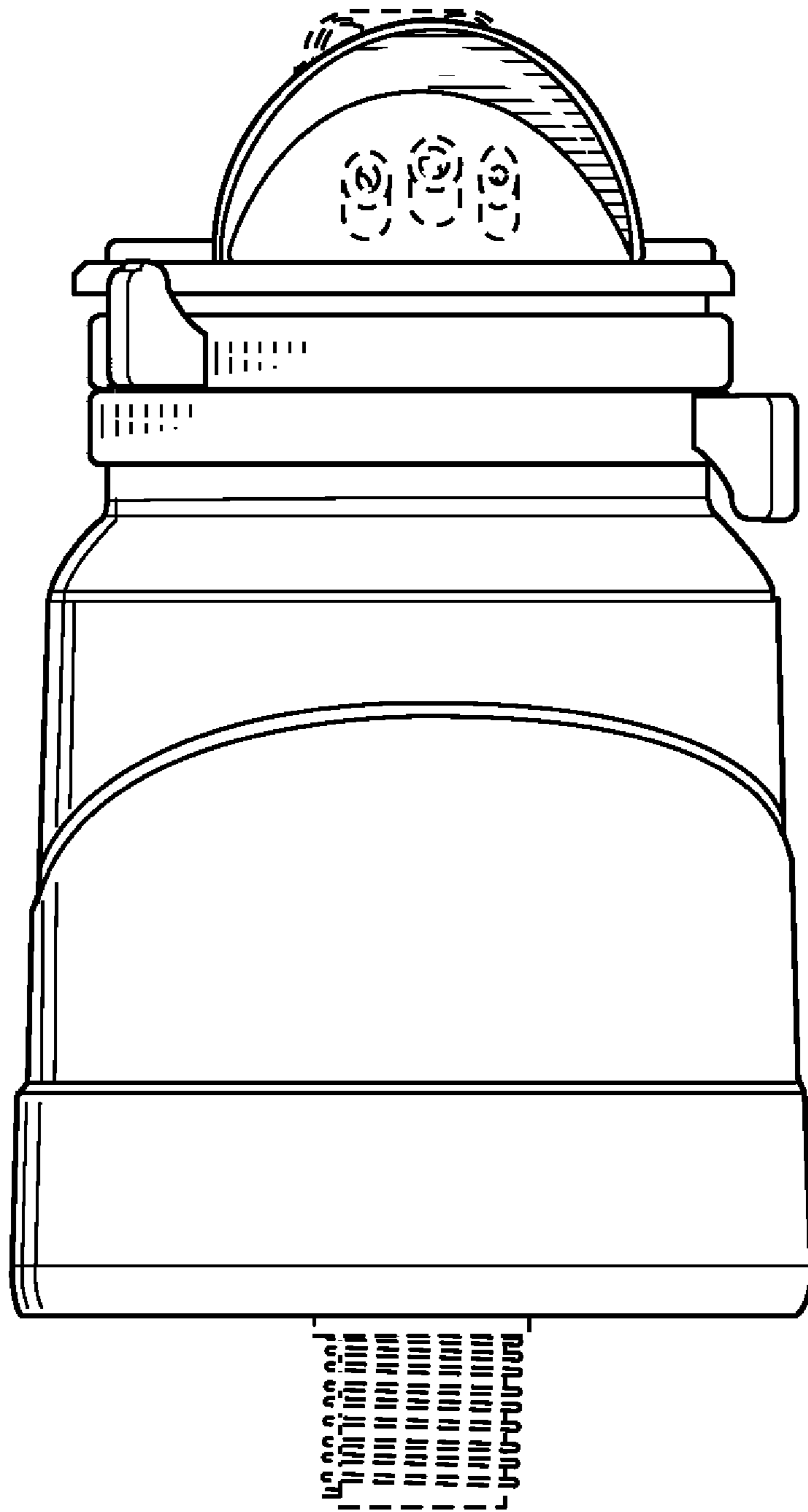


FIG. 4

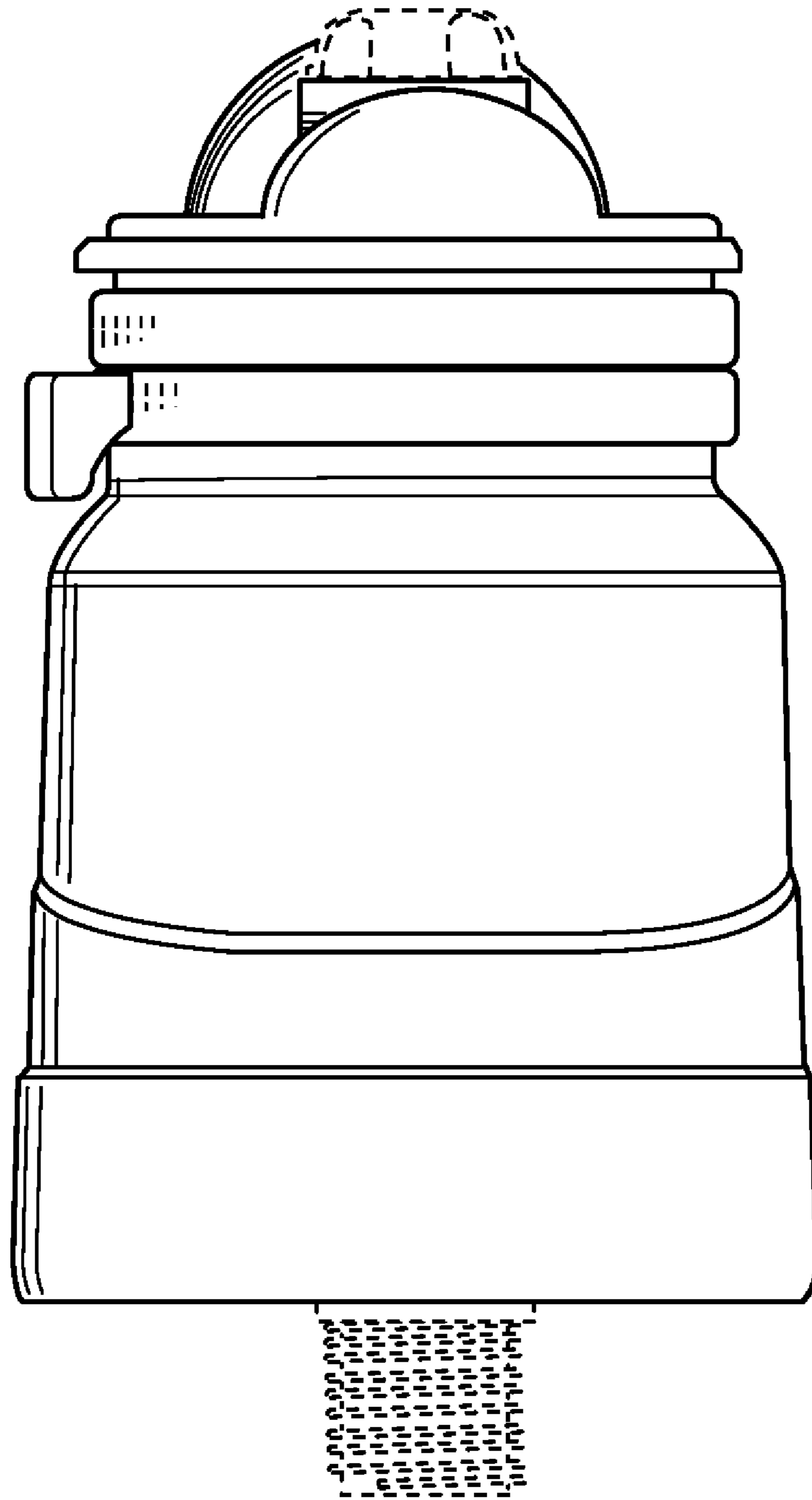


FIG. 5

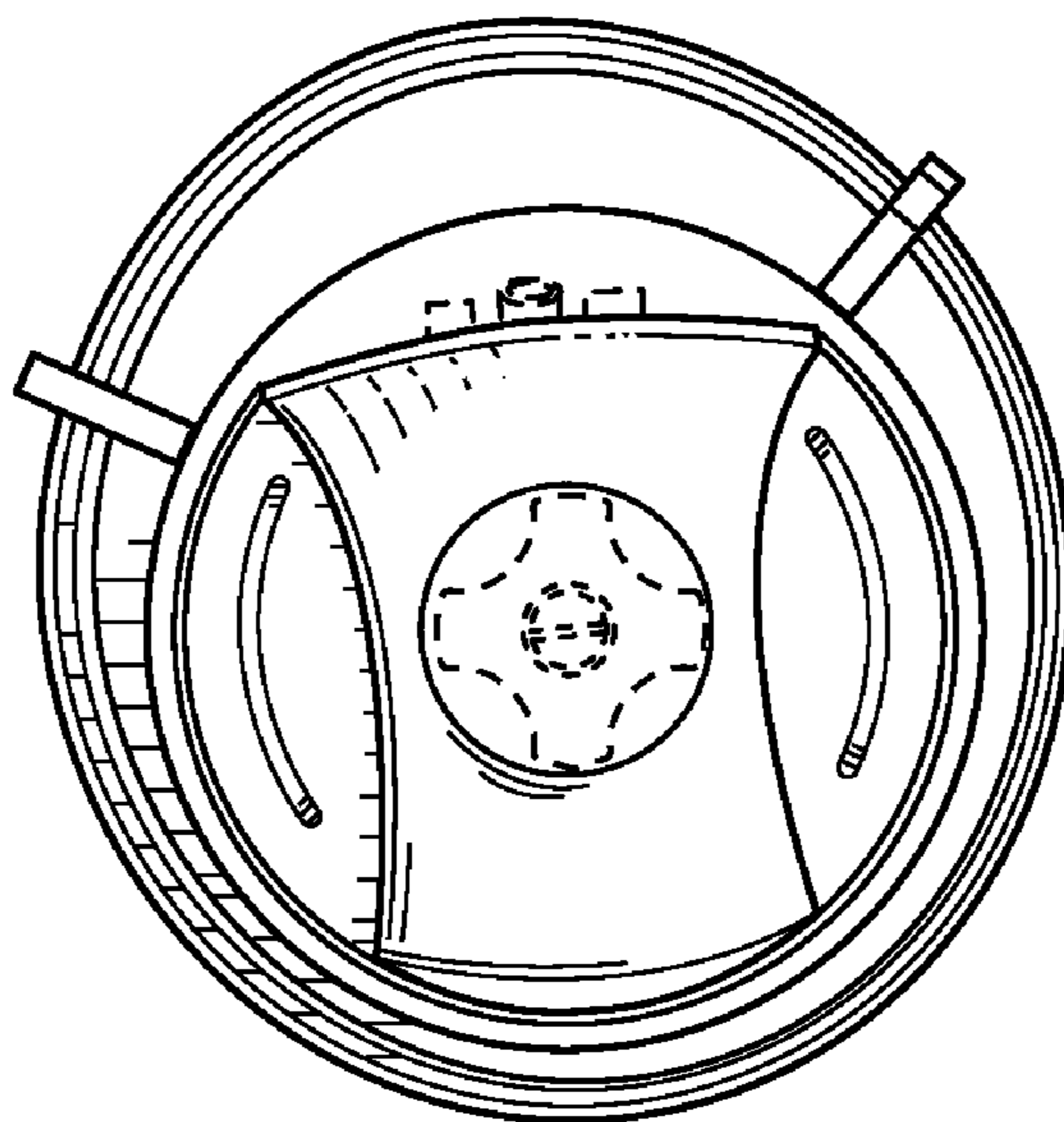


FIG. 6

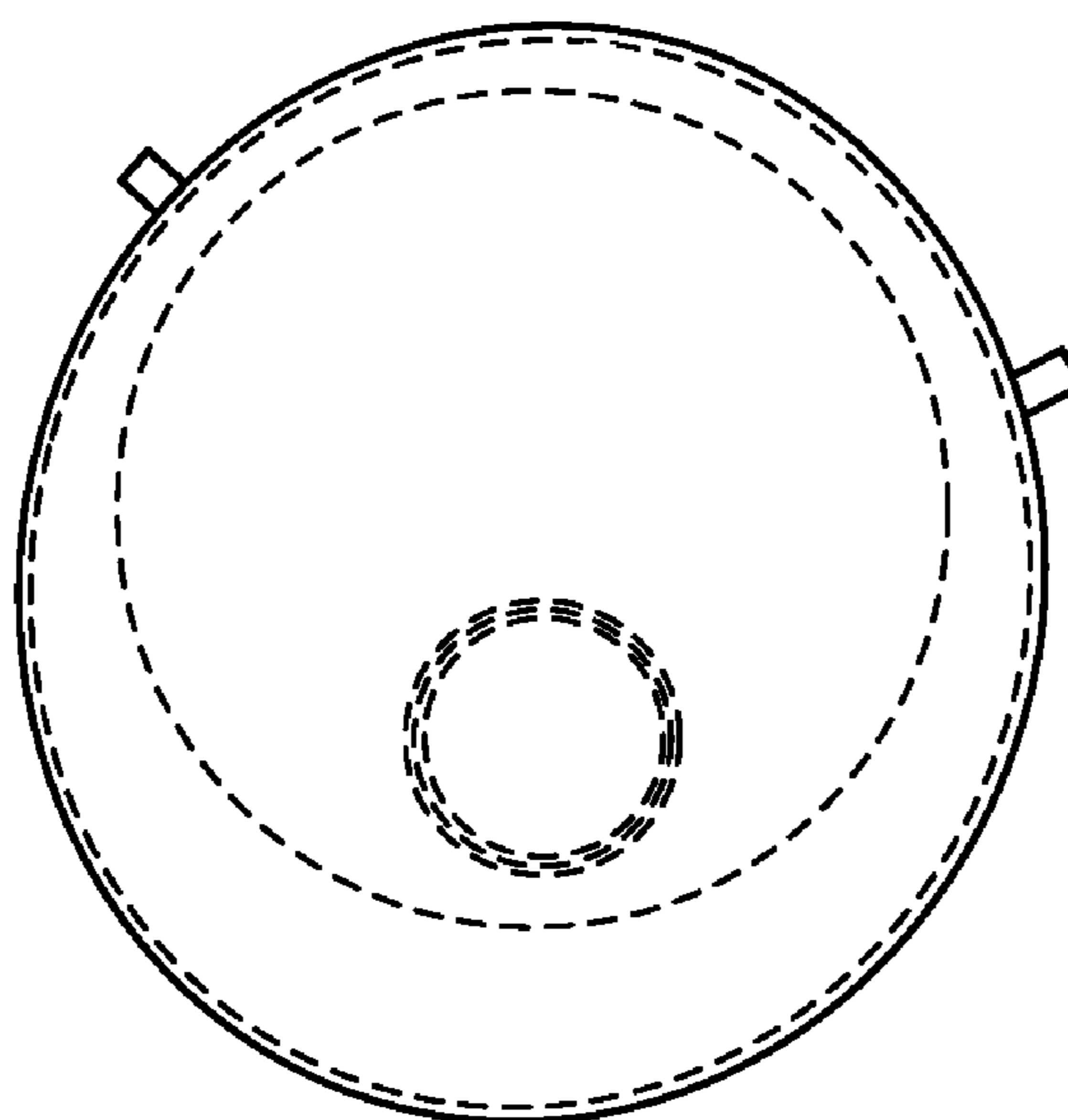


FIG. 7