



US00D618302S

(12) **United States Design Patent**
Williams et al.

(10) **Patent No.:** **US D618,302 S**
(45) **Date of Patent:** **** Jun. 22, 2010**

(54) **NON-WHITE FILTER BAG**

D528,630 S 9/2006 Booth D23/209
D579,077 S 10/2008 Quintel D23/209
D591,825 S 5/2009 Quintel D23/209

(75) Inventors: **Ryan John Williams**, Jackson, NJ (US);
Edward Van Gerrewey, Sint Niklaas
(BE)

* cited by examiner

(73) Assignee: **Eaton Corporation**, Cleveland, OH
(US)

Primary Examiner—Robin V Webster
(74) *Attorney, Agent, or Firm*—Daniel S. Kalka

(**) Term: **14 Years**

(57) **CLAIM**

(21) Appl. No.: **29/340,730**

The ornamental design for a non-white filter bag, as shown and described.

(22) Filed: **Jul. 24, 2009**

DESCRIPTION

(51) **LOC (9) Cl.** **23-01**

(52) **U.S. Cl.** **D23/209; D7/400; D32/30**

(58) **Field of Classification Search** D23/207,
D23/209, 210; D7/400; D32/30; 210/167.21,
210/167.23, 167.26, 167.25, 448, 452; 55/361
See application file for complete search history.

FIG. 1 is a perspective view of the non-white filter bag;

FIG. 2 is a frontal view of the filter bag when viewed from FIG. 1;

FIG. 3 is a rear view of the filter bag when viewed from FIG. 1;

FIG. 4 is a side view of the filter bag both sides appearing the same;

FIG. 5 is a bottom view of the filter bag; and,

FIG. 6 is a top view of the filter bag.

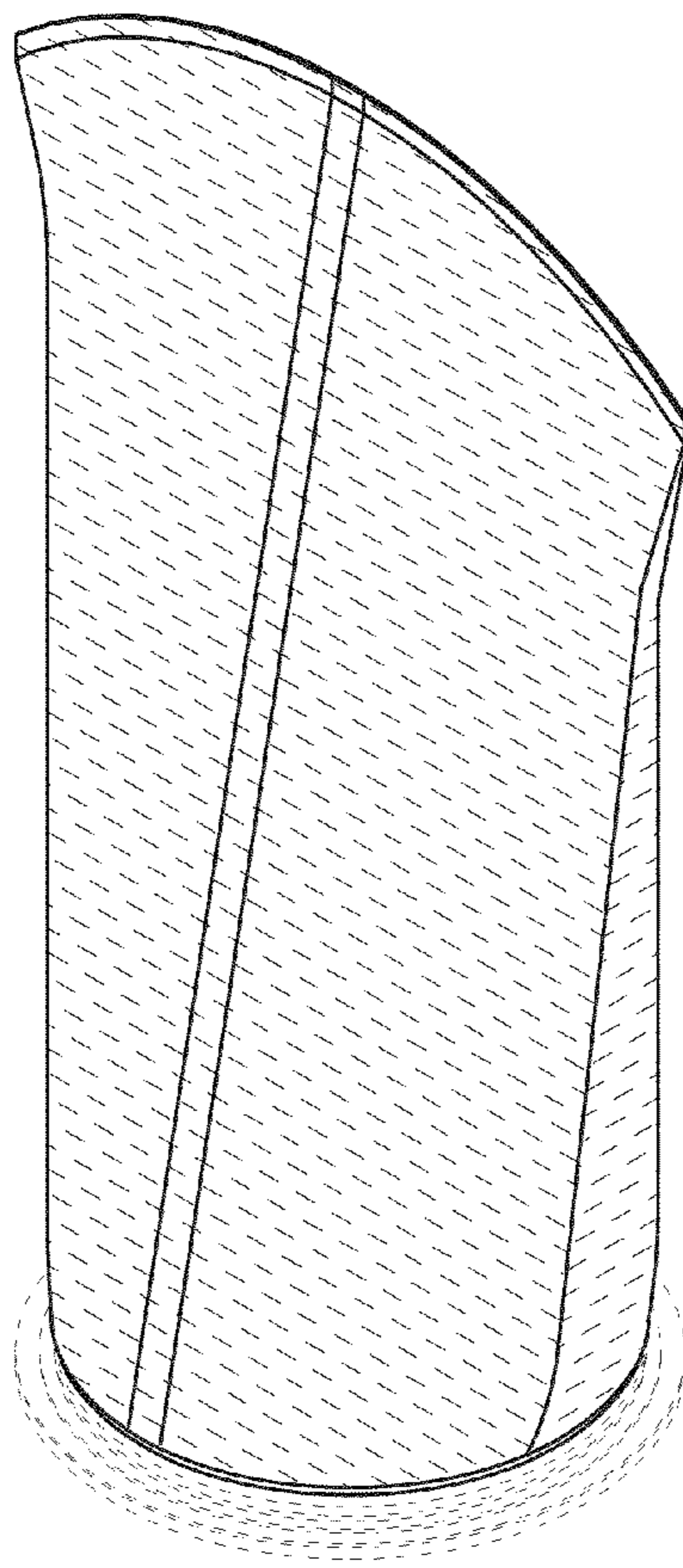
The broken line showing is included for the purpose of illustrating and forms no part of the claimed design.

(56) **References Cited**

U.S. PATENT DOCUMENTS

D208,936 S * 10/1967 Caprio et al. D7/667
3,383,030 A * 5/1968 Downey 55/361
4,419,232 A * 12/1983 Arntyr et al. 210/164
D287,217 S * 12/1986 Napier D7/400
D377,825 S 2/1997 Booth et al. D23/209
5,755,962 A * 5/1998 Gershenson et al. 210/452

1 Claim, 2 Drawing Sheets



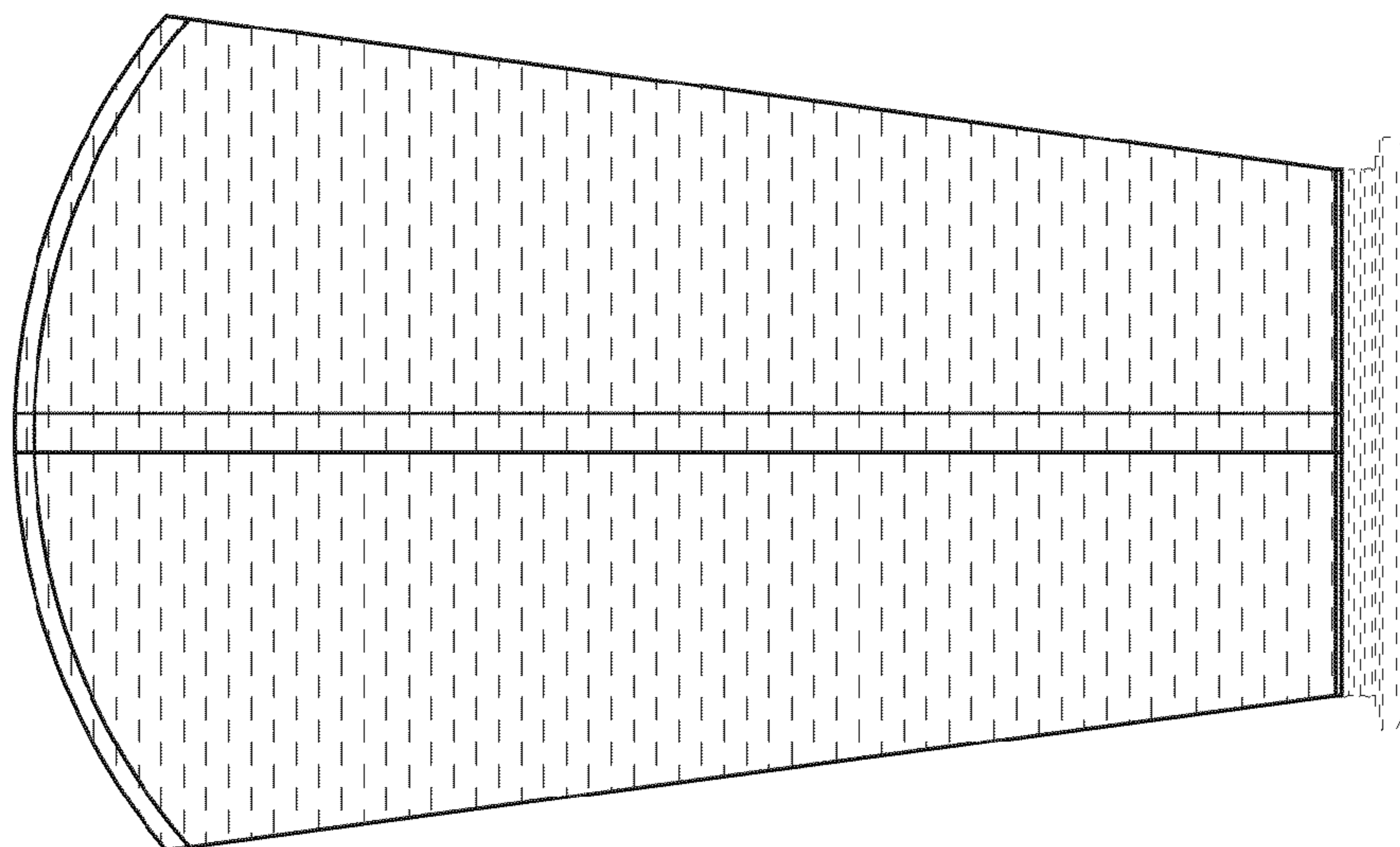


Fig.2

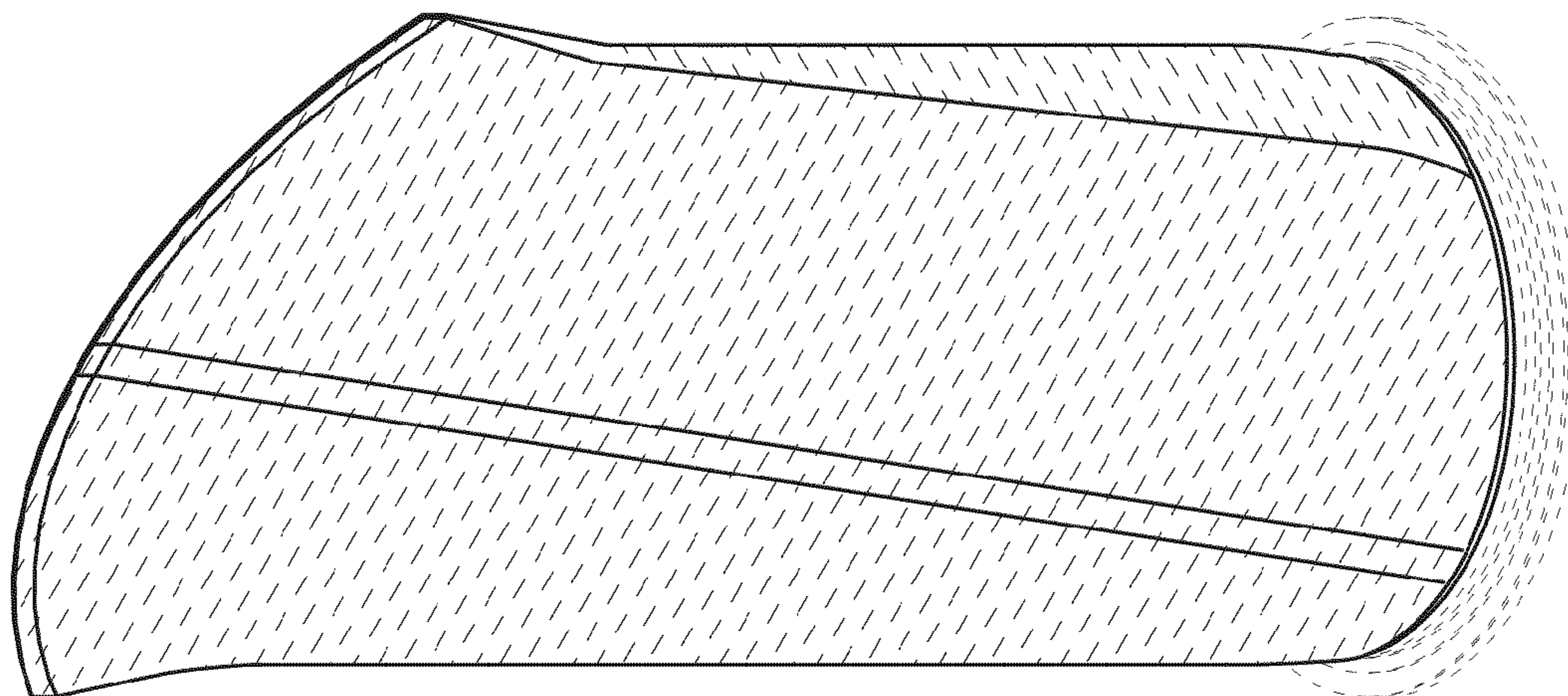


Fig.1

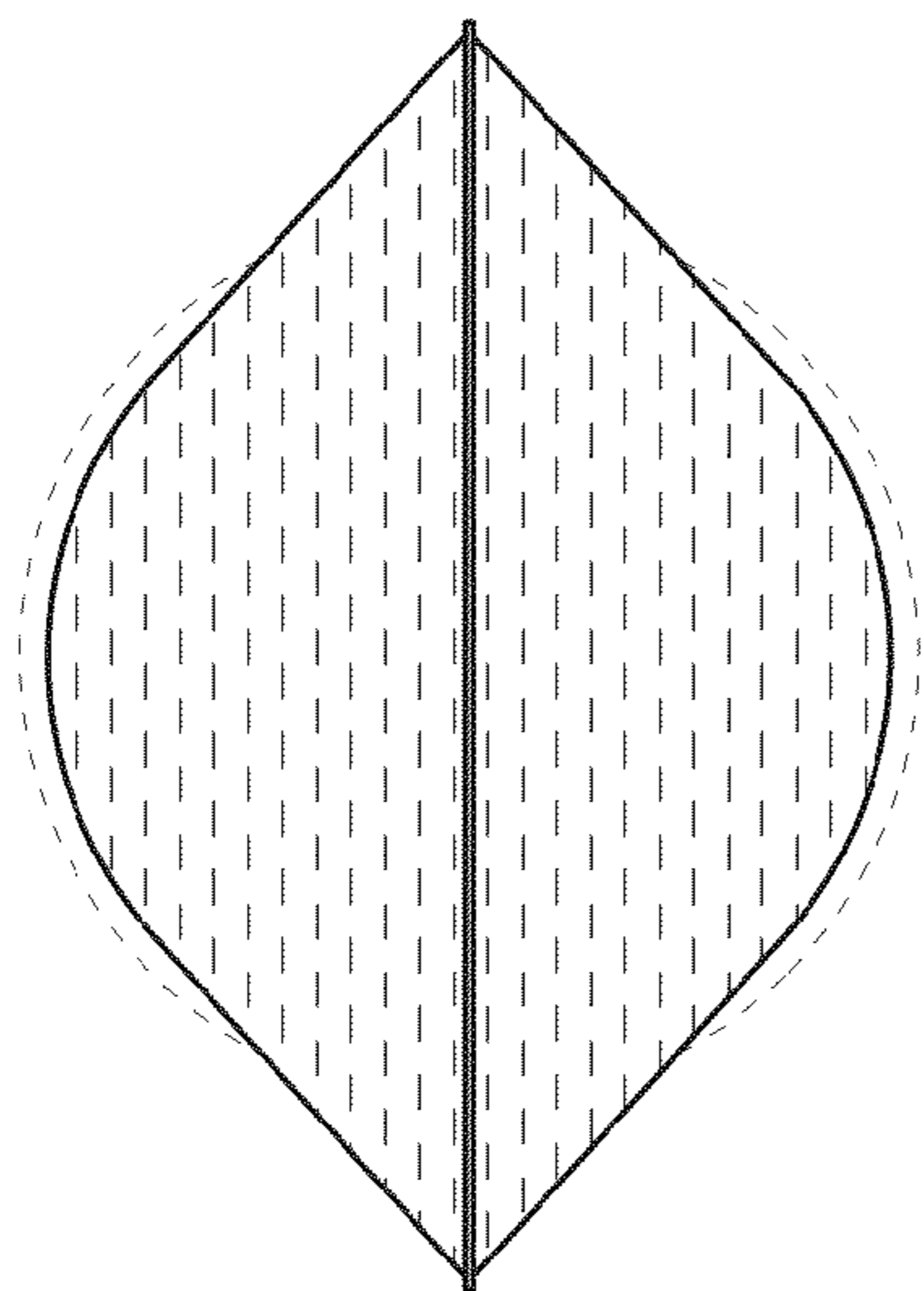


Fig.5

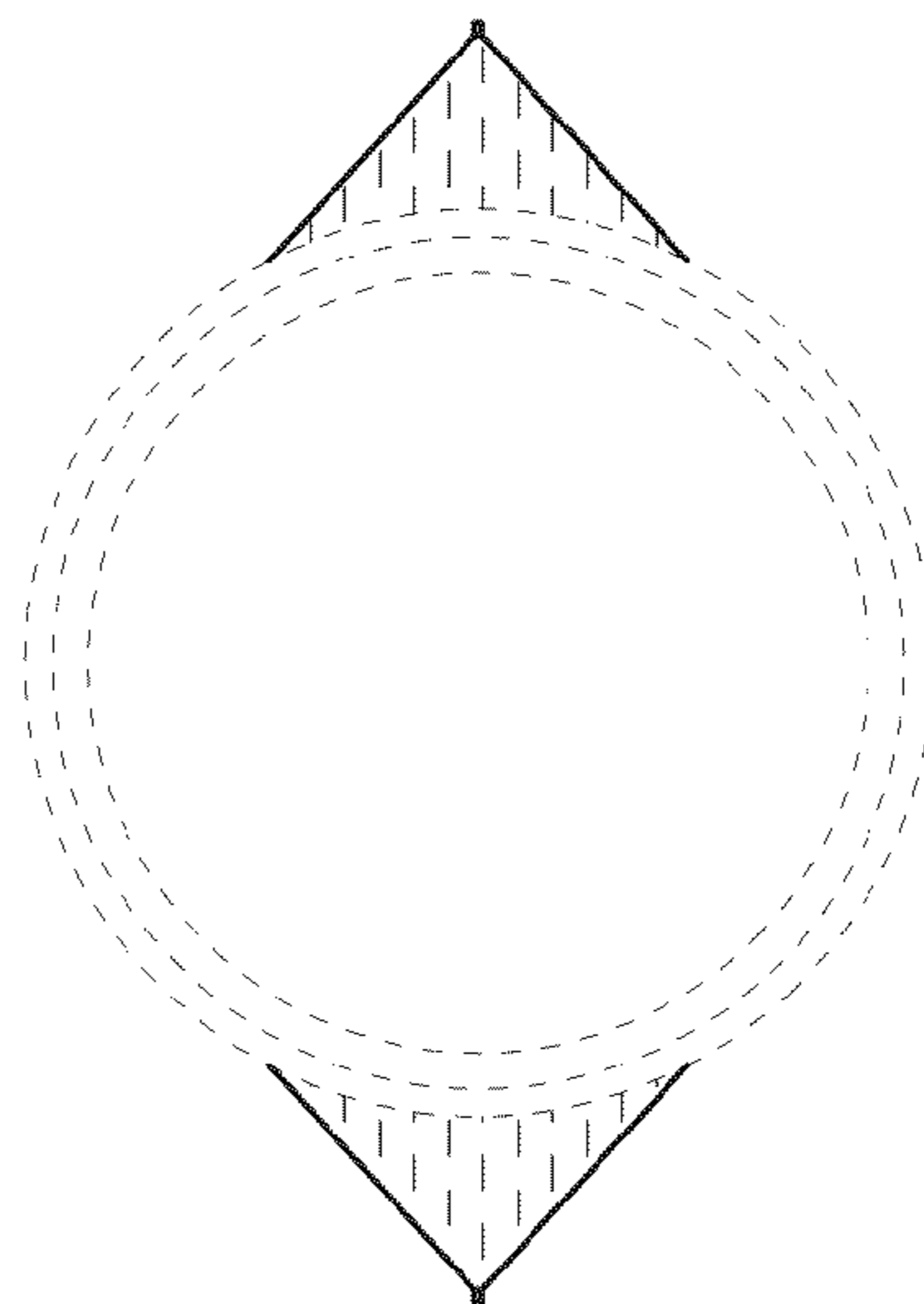


Fig.6

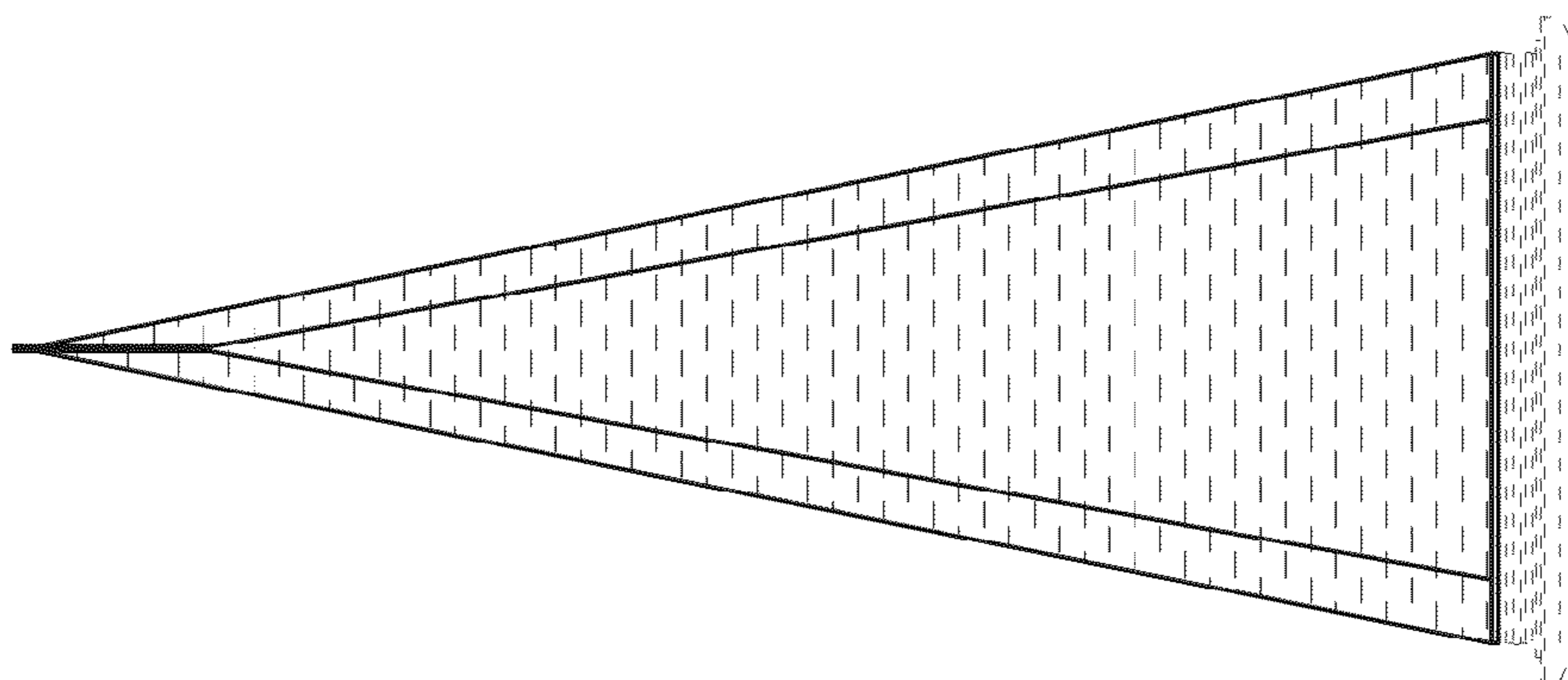


Fig.4

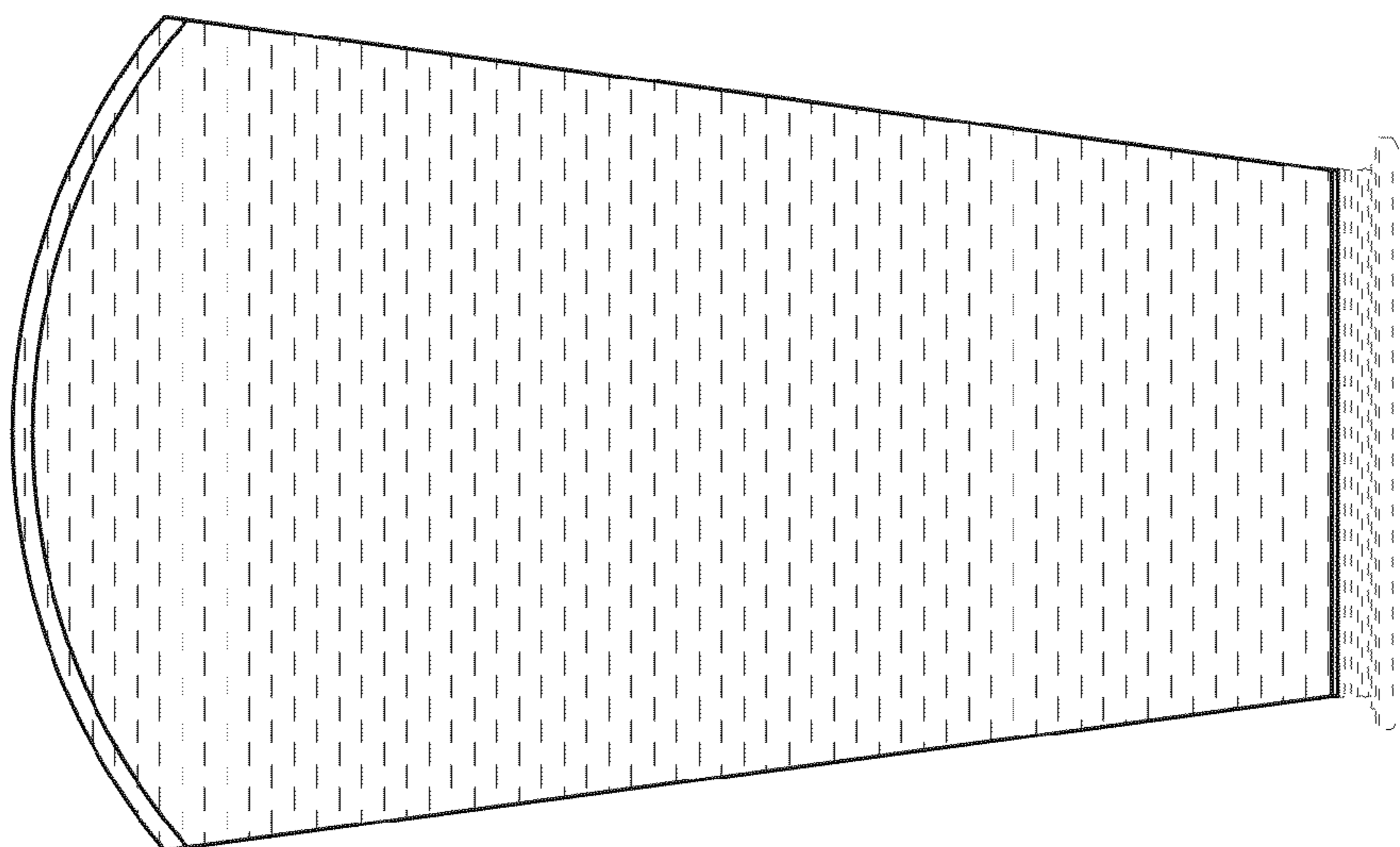


Fig.3