



US00D618300S

(12) **United States Design Patent**
Hudson et al.

(10) **Patent No.:** **US D618,300 S**
(45) **Date of Patent:** **** Jun. 22, 2010**

(54) **SPRAYER**

D547,416 S * 7/2007 Hillhouse D23/202
D570,447 S * 6/2008 Hillhouse D23/225

(75) Inventors: **William A. Hudson**, Fox Point, WI
(US); **Edwin Chan**, Tin Shui Wai (HK)

* cited by examiner

(73) Assignee: **H.D. Hudson Manufacturing Company**, Chicago, IL (US)

Primary Examiner—Robin V Webster
(74) *Attorney, Agent, or Firm*—Marshall, Gerstein & Borun LLP

(**) Term: **14 Years**

(57) **CLAIM**

(21) Appl. No.: **29/342,304**

The ornamental design for a sprayer, as shown and described.

(22) Filed: **Aug. 21, 2009**

DESCRIPTION

(51) **LOC (9) Cl.** **23-01**

FIG. 1 is a front, right side, and top perspective view of a sprayer that has the design.

(52) **U.S. Cl.** **D23/202; D23/225**

FIG. 2 is a front, left side, and bottom perspective view of the sprayer.

(58) **Field of Classification Search** D23/213,
D23/202, 225; 239/310, 373, 337, 332–333,
239/152–154

FIG. 3 is a front elevation of the sprayer.

See application file for complete search history.

FIG. 4 is a left side elevation of the sprayer.

(56) **References Cited**

FIG. 5 is a back elevation of the sprayer.

U.S. PATENT DOCUMENTS

FIG. 6 is a top plan view of the sprayer; and,

5,335,853	A *	8/1994	Wirz	239/142
5,636,791	A *	6/1997	Leer	239/142
5,752,661	A *	5/1998	Lewis	239/153
5,984,199	A *	11/1999	Restive	239/1
6,412,707	B1 *	7/2002	Wirz	239/154
6,769,628	B1 *	8/2004	Vaage et al.	239/152
7,175,104	B2 *	2/2007	Allen, IV	239/71

FIG. 7 is a bottom plan view of the sprayer.

The broken line showing of parts of the sprayer is to illustrate possible configurations of unclaimed parts of the sprayer, and forms no part of the claimed design.

1 Claim, 5 Drawing Sheets

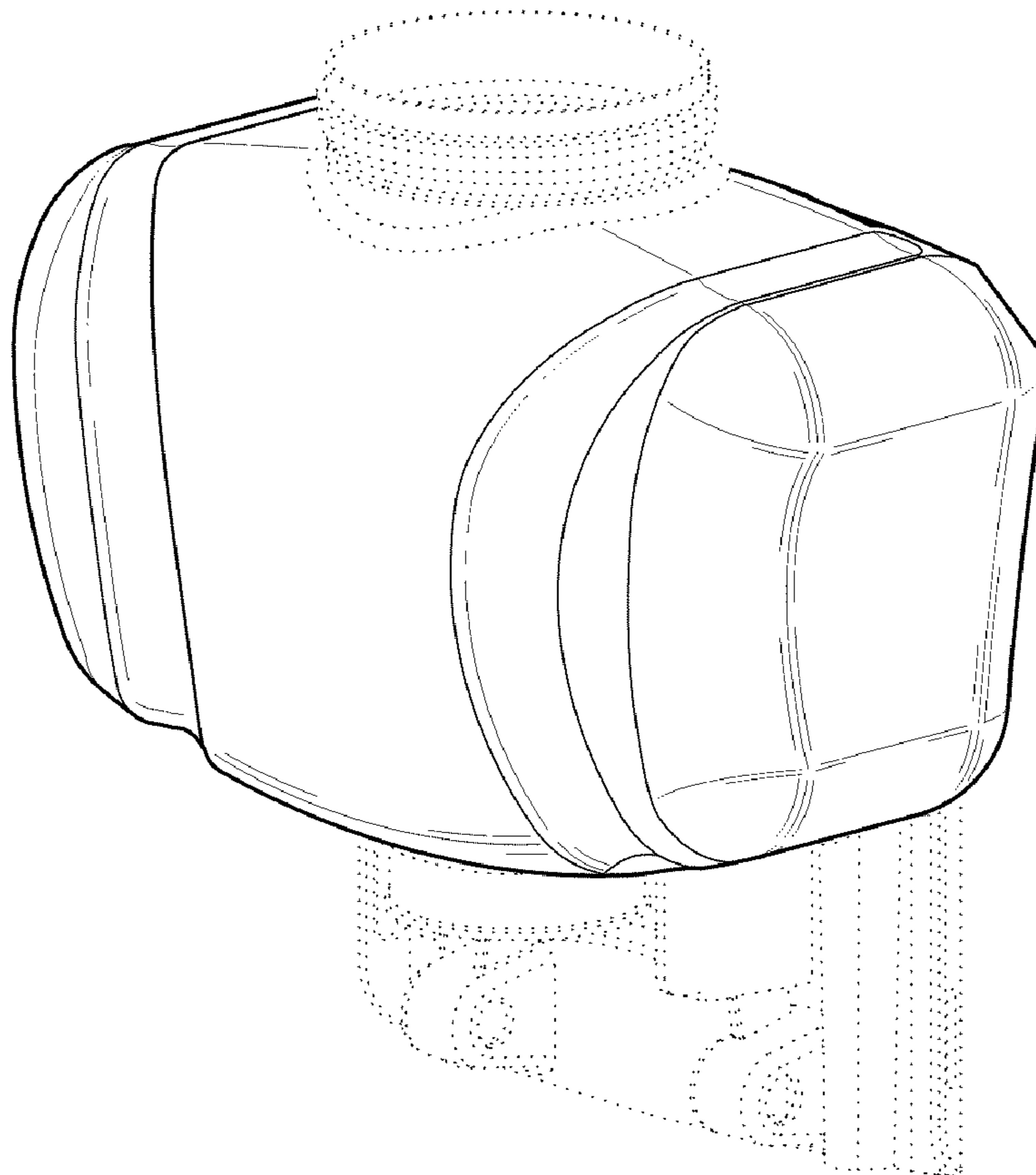


FIG. 1

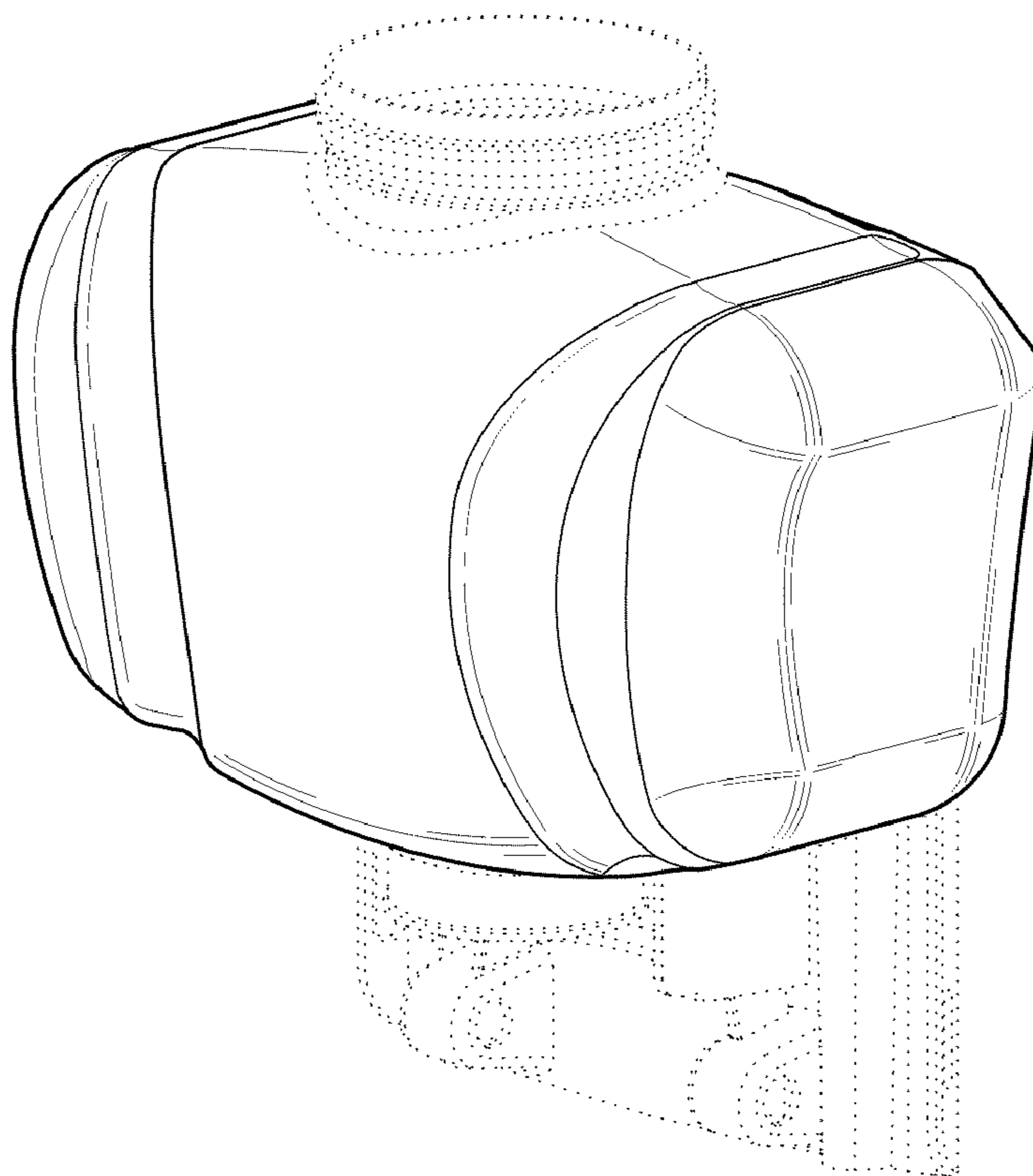


FIG. 2

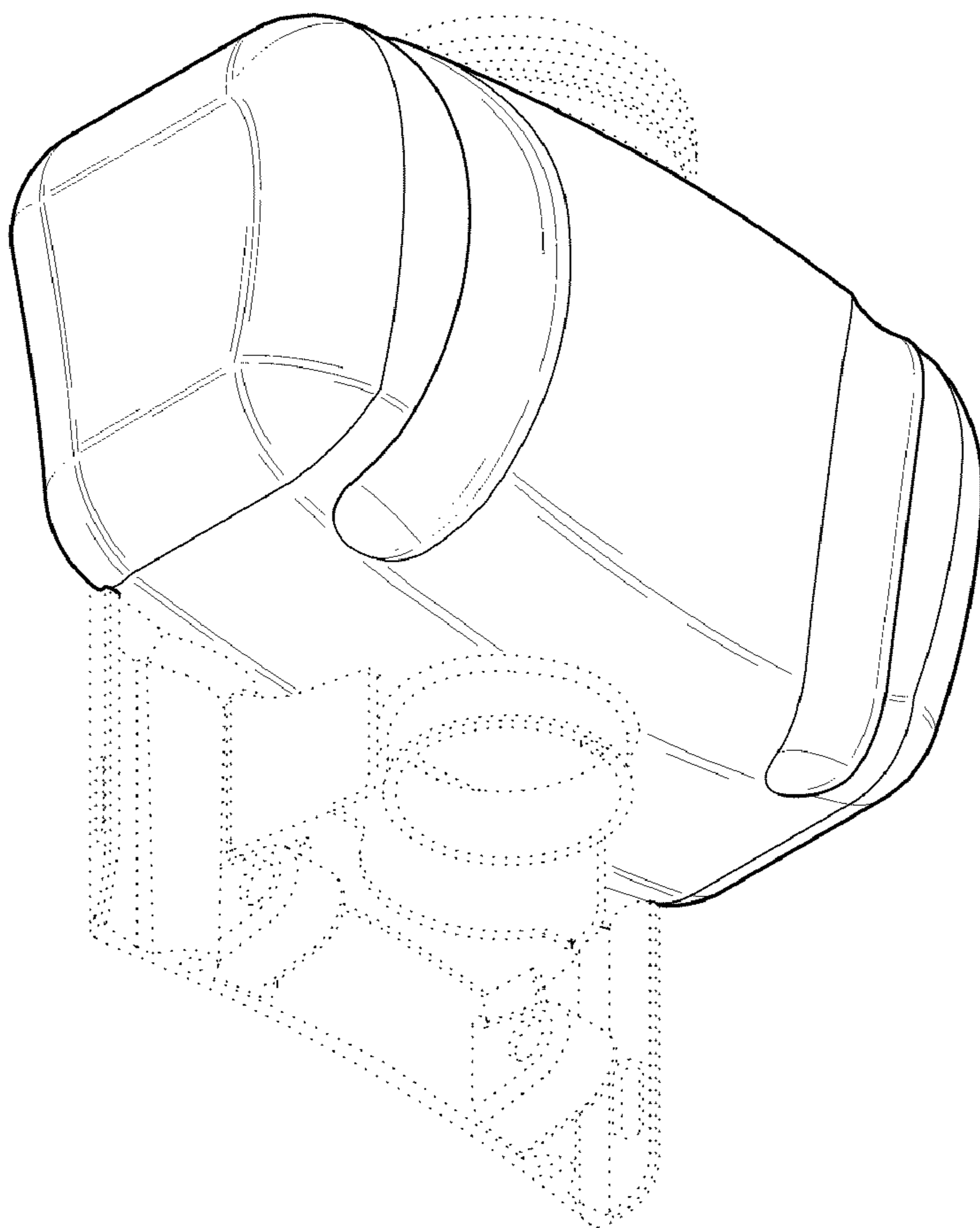


FIG. 3

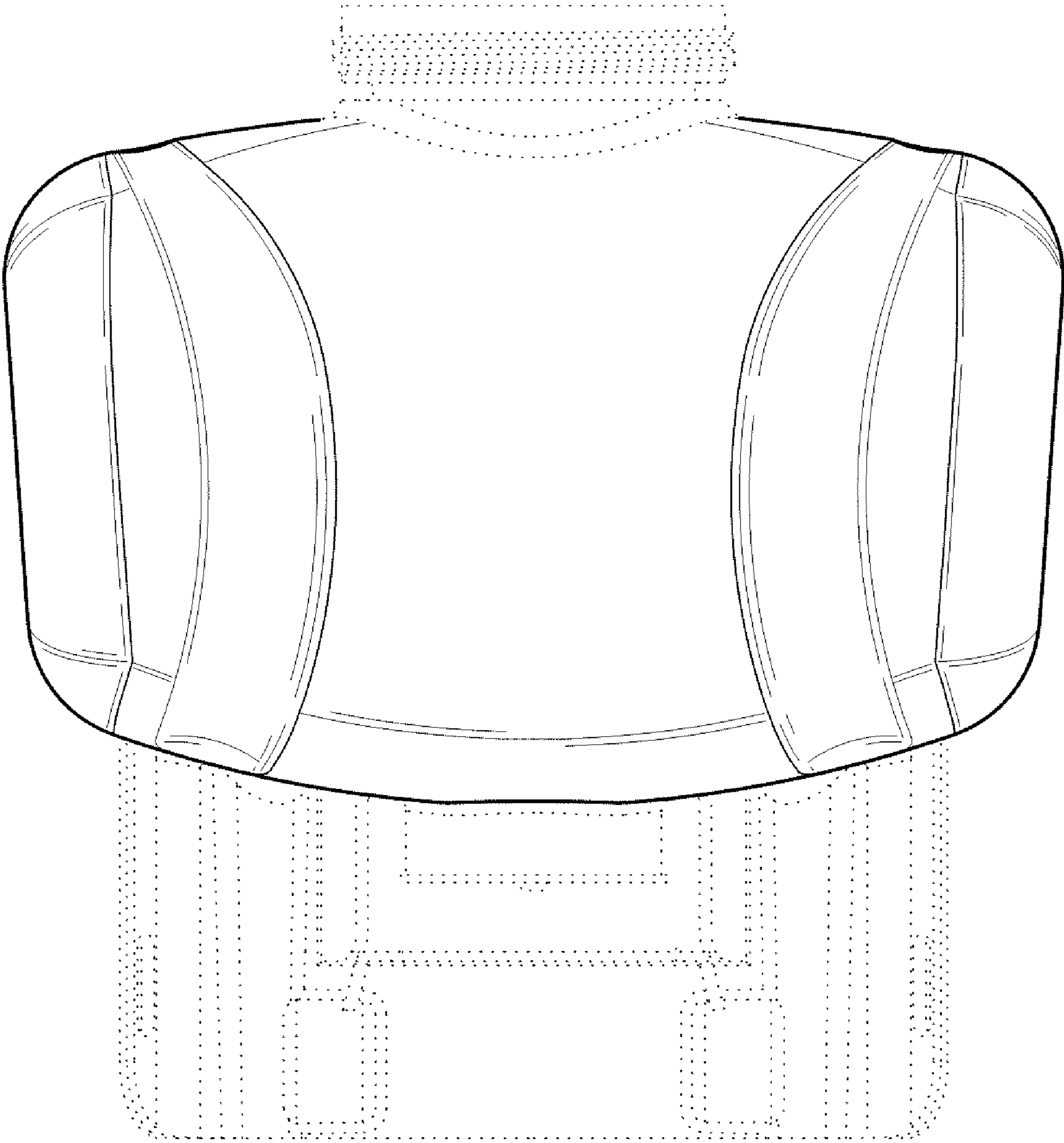


FIG. 4

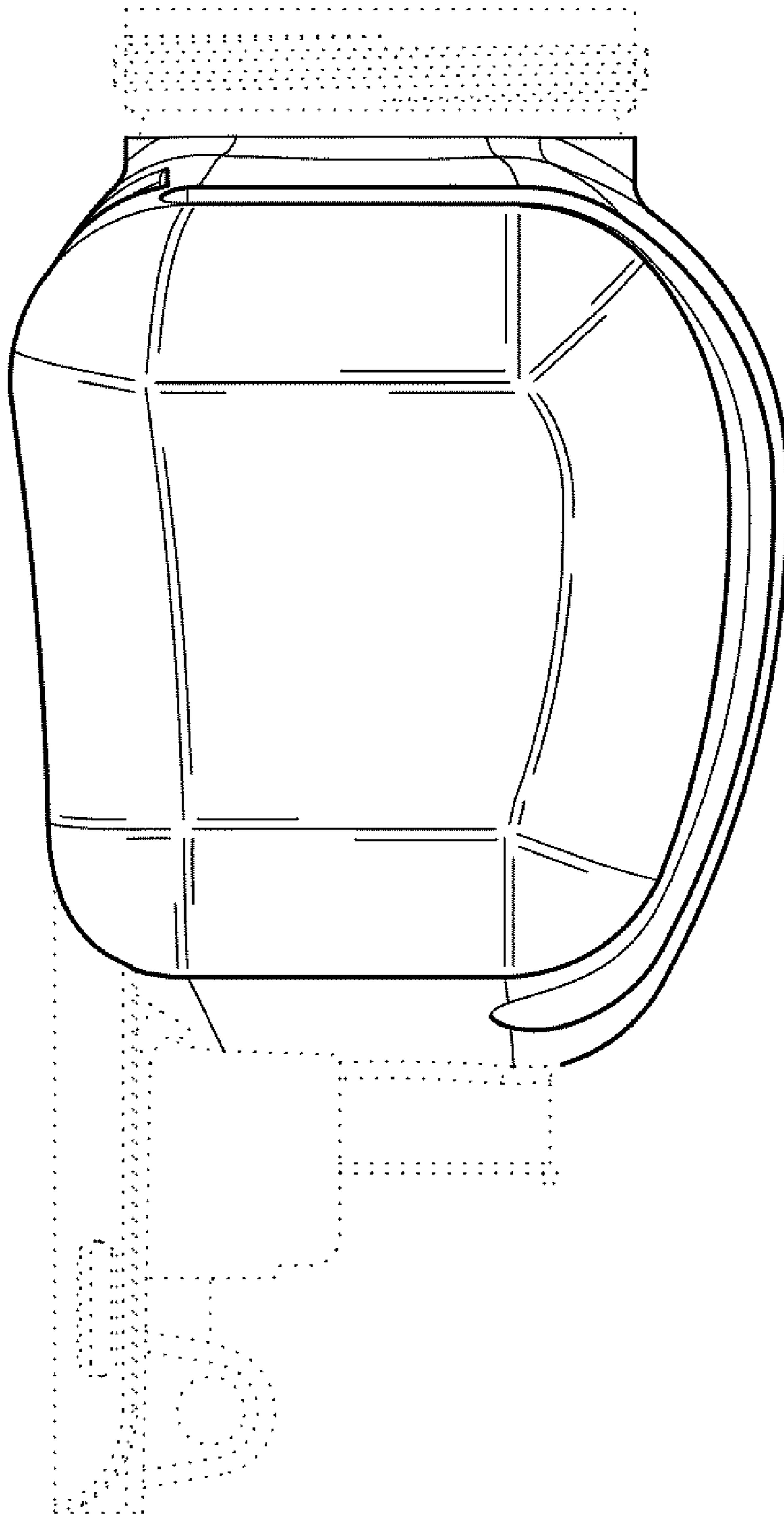


FIG. 5

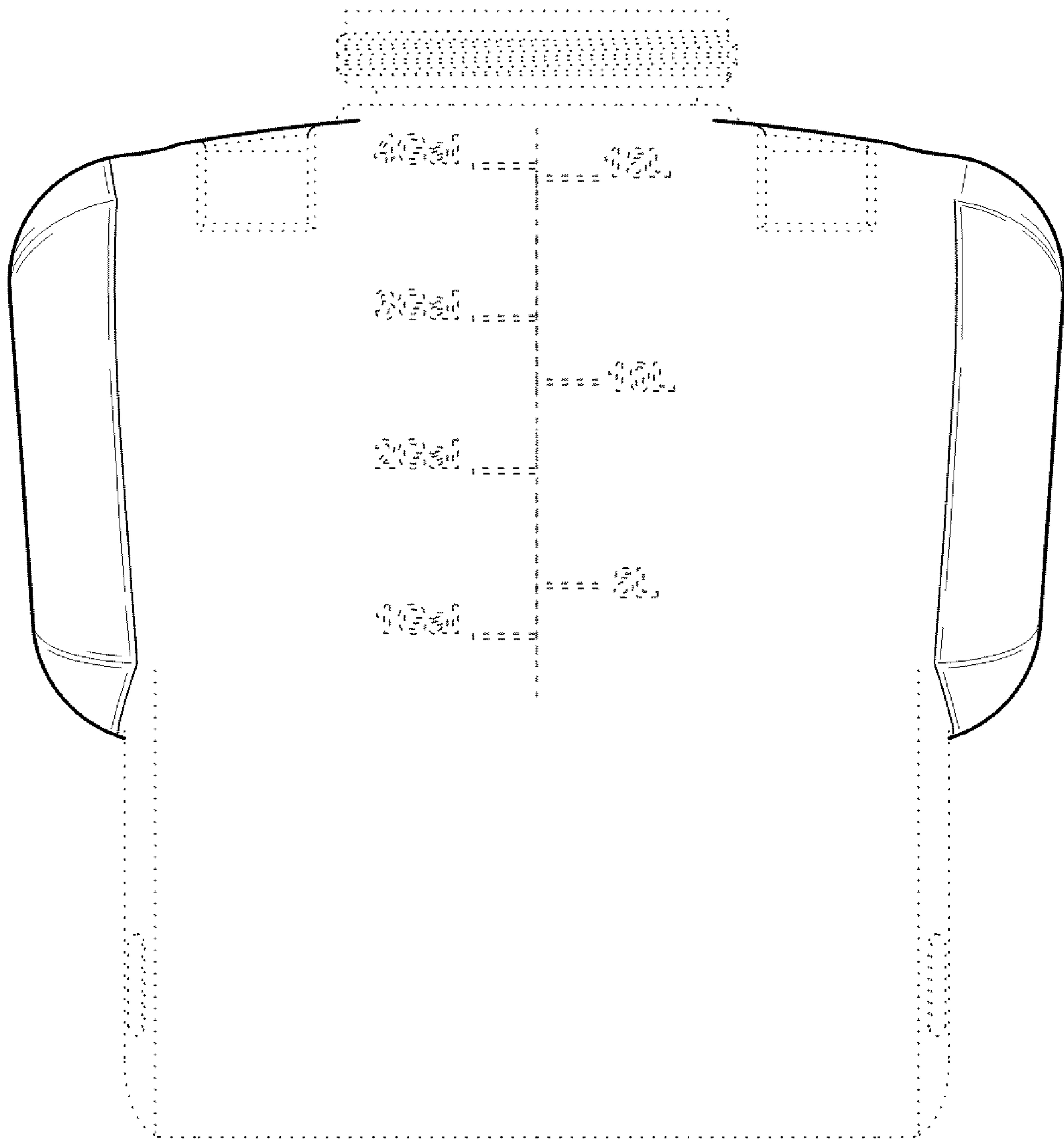


FIG. 6

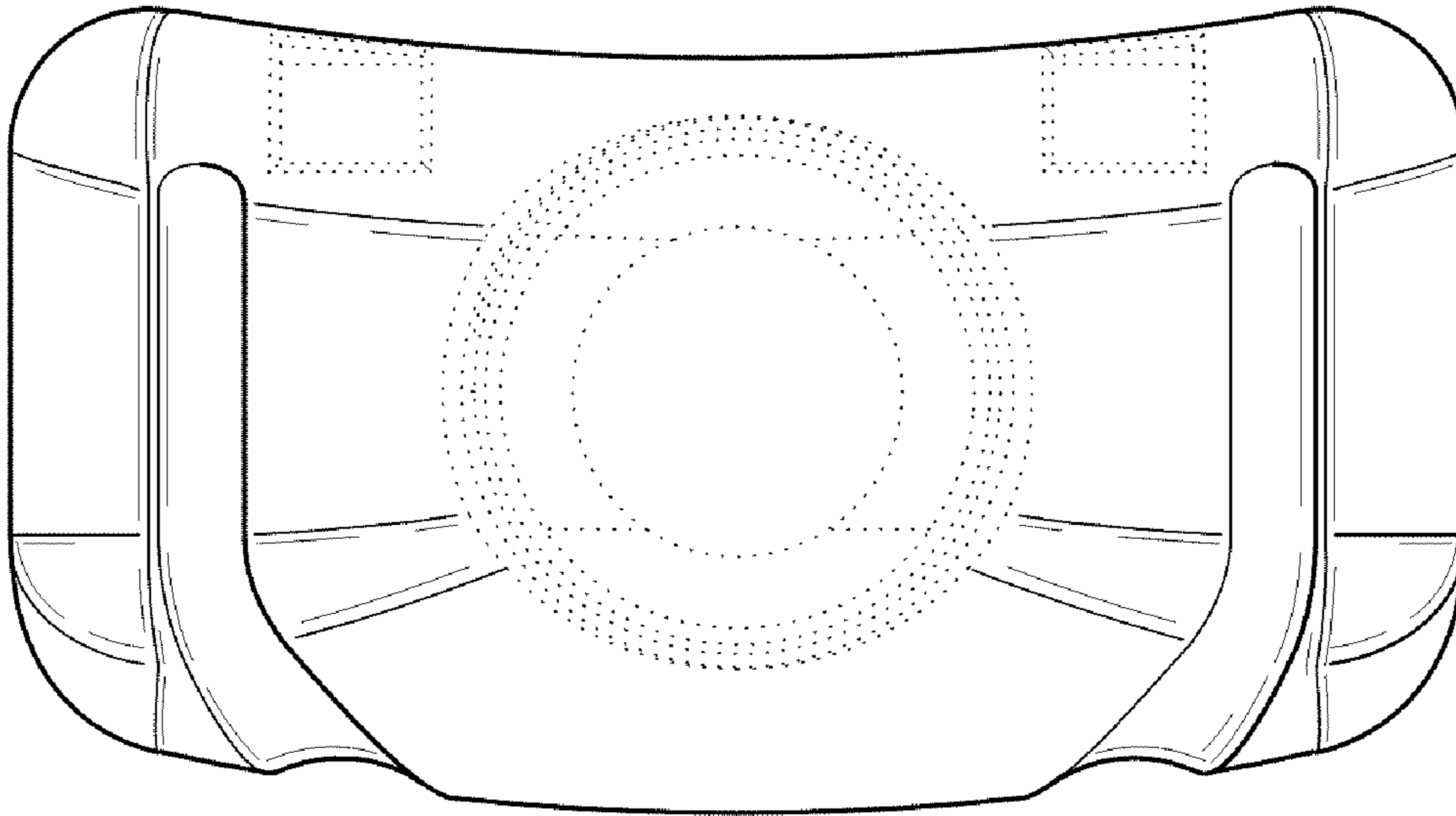


FIG. 7

