



US00D618298S

(12) **United States Design Patent**
Adams

(10) **Patent No.:** **US D618,298 S**
(45) **Date of Patent:** **** Jun. 22, 2010**

(54) **GOLF TEE HOLDER**

(76) Inventor: **James Adams**, 5112 N. Avenida
Primera, Tucson, AZ (US) 85704

(**) Term: **14 Years**

(21) Appl. No.: **29/315,104**

(22) Filed: **May 27, 2009**

(51) **LOC (9) Cl.** **21-02**

(52) **U.S. Cl.** **D21/796**

(58) **Field of Classification Search** D21/789,
D21/796, 717, 718; 473/284, 386-403, 278;
224/576

See application file for complete search history.

(56) **References Cited**

U.S. PATENT DOCUMENTS

4,893,818	A	1/1990	Liccardello	
5,156,403	A *	10/1992	Martino	473/278
5,172,839	A *	12/1992	Frisbie	473/391
5,242,170	A	9/1993	Ward	
D370,511	S *	6/1996	Shipman	D21/717
5,679,081	A	10/1997	Santille	
5,766,100	A *	6/1998	Dilmore	473/396
5,967,909	A *	10/1999	Broadbridge	473/386

6,482,111	B1 *	11/2002	Jofferion	473/386
D476,053	S *	6/2003	Goserud	D21/789
D494,244	S *	8/2004	Jacome	D21/793
6,988,646	B2 *	1/2006	White	224/576
D567,320	S *	4/2008	Pelosi	D21/796

* cited by examiner

Primary Examiner—Mitchell I Siegel

(57) **CLAIM**

The ornamental design for a golf tee holder, as shown and described.

DESCRIPTION

FIG. 1 is a perspective view of a golf tee holder showing my new design;

FIG. 2 is a front elevational view thereof;

FIG. 3 is a rear elevational view thereof;

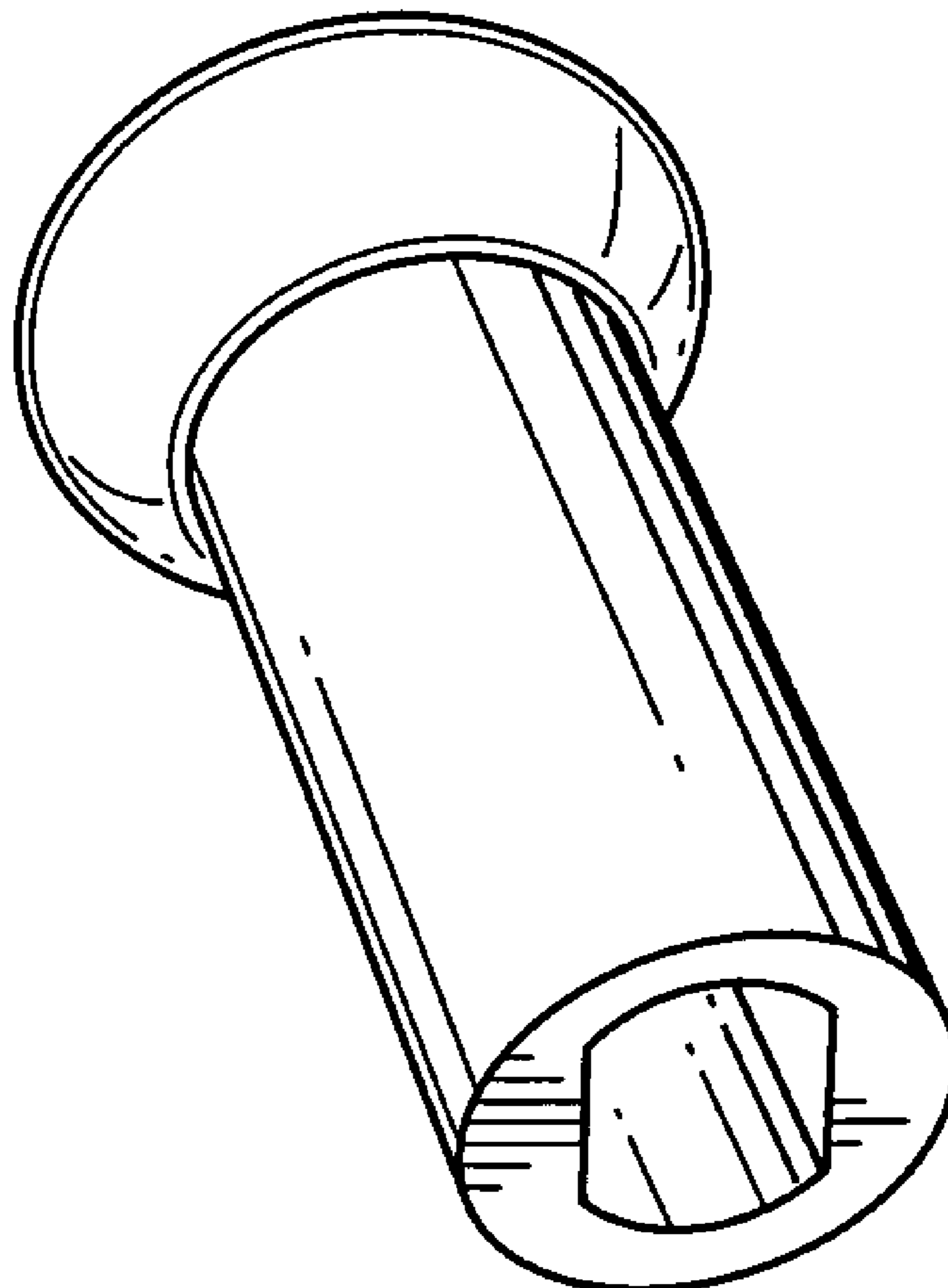
FIG. 4 is a left side elevational thereof;

FIG. 5 is a right side elevational view thereof;

FIG. 6 is a top plan view thereof; and,

FIG. 7 is a bottom plan view thereof.

1 Claim, 1 Drawing Sheet



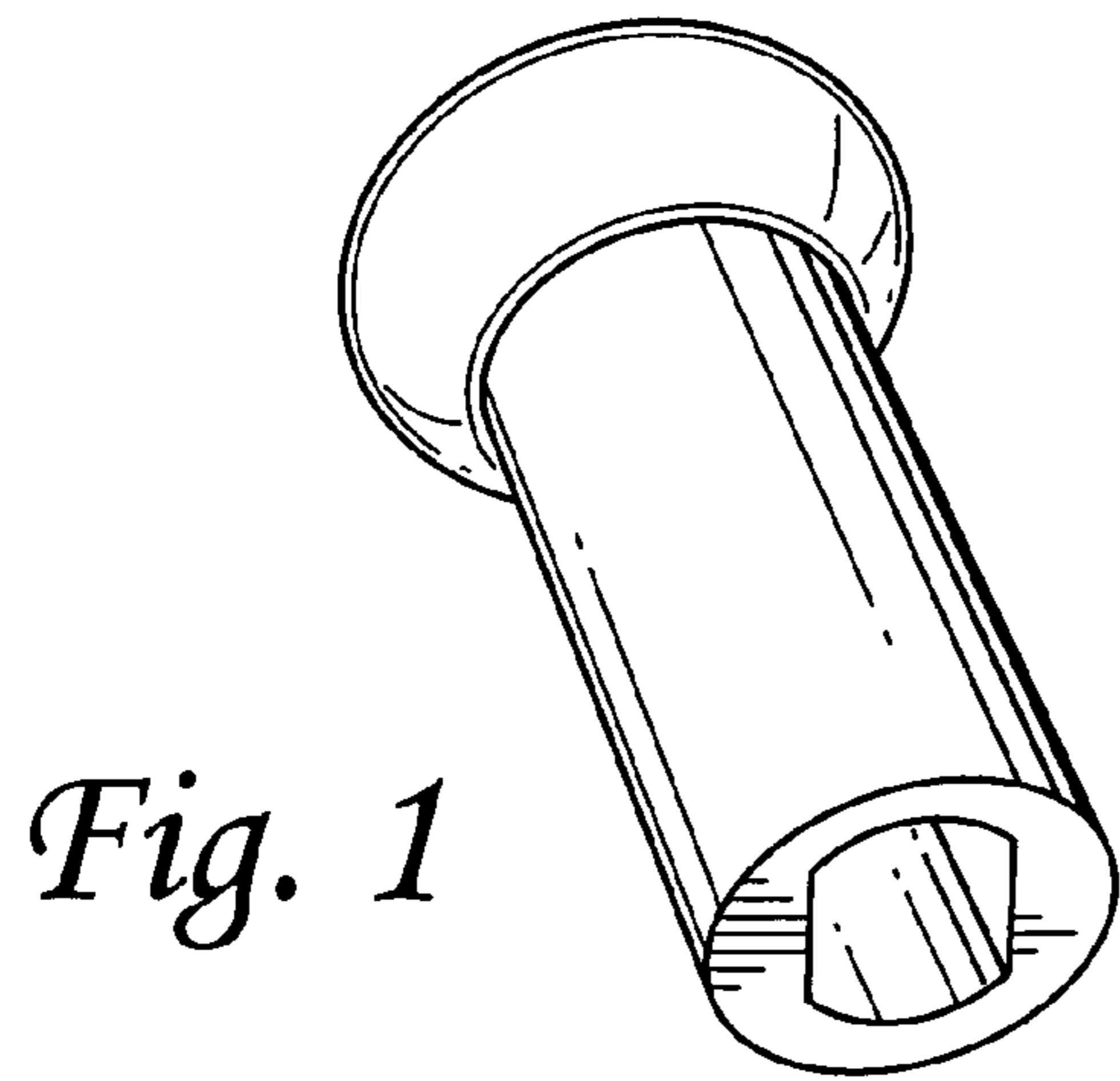


Fig. 1

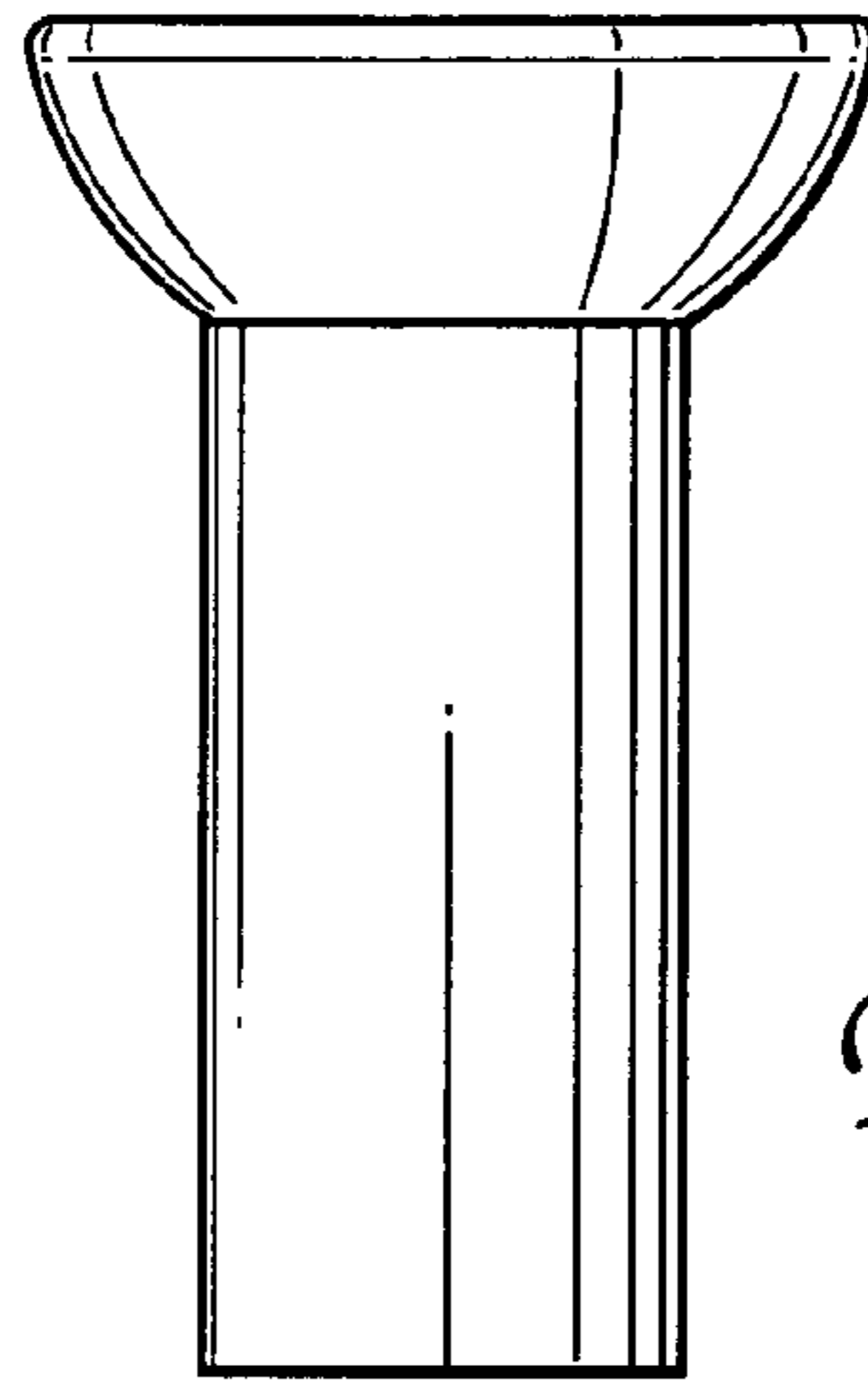


Fig. 2

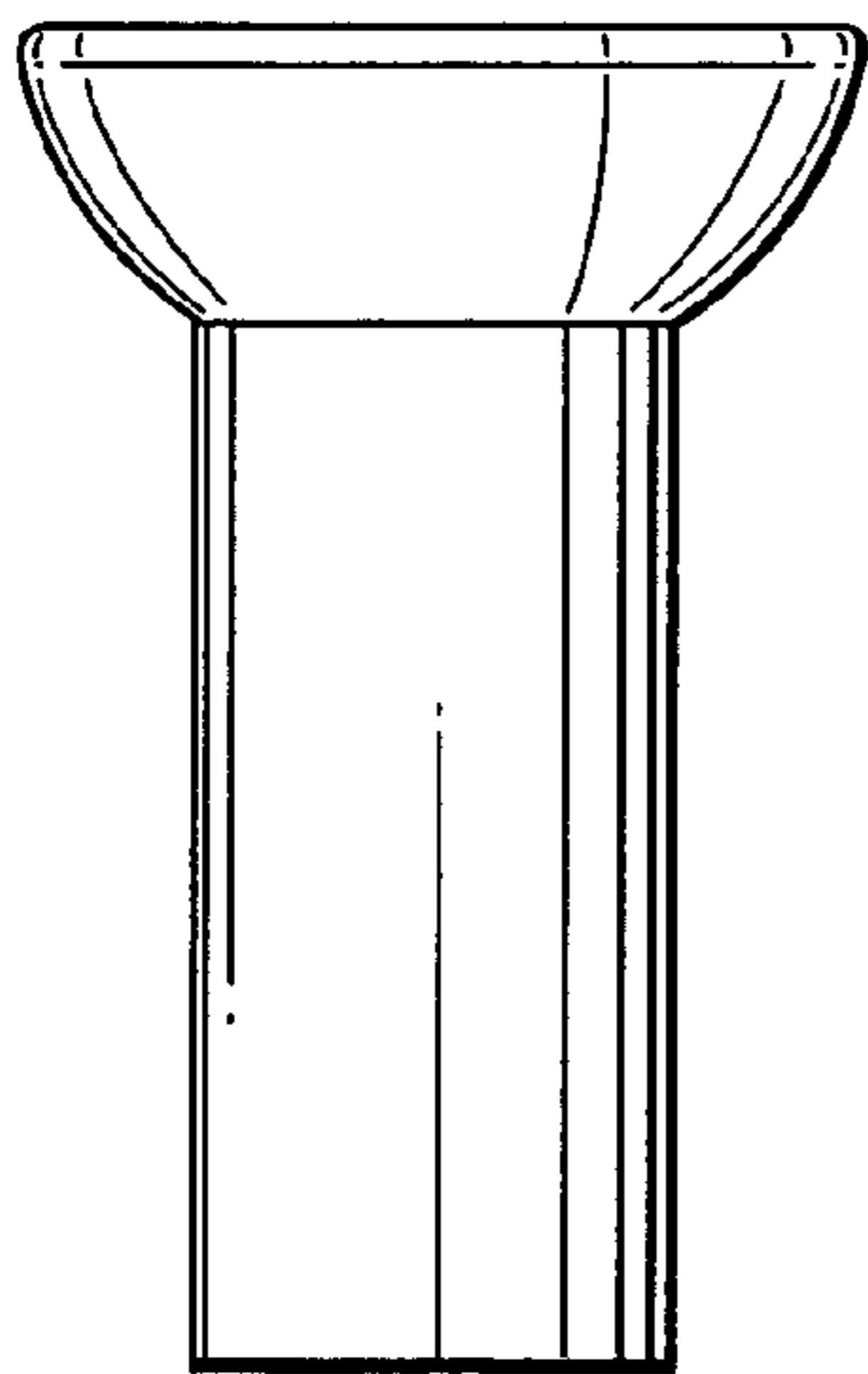


Fig. 3

Fig. 4

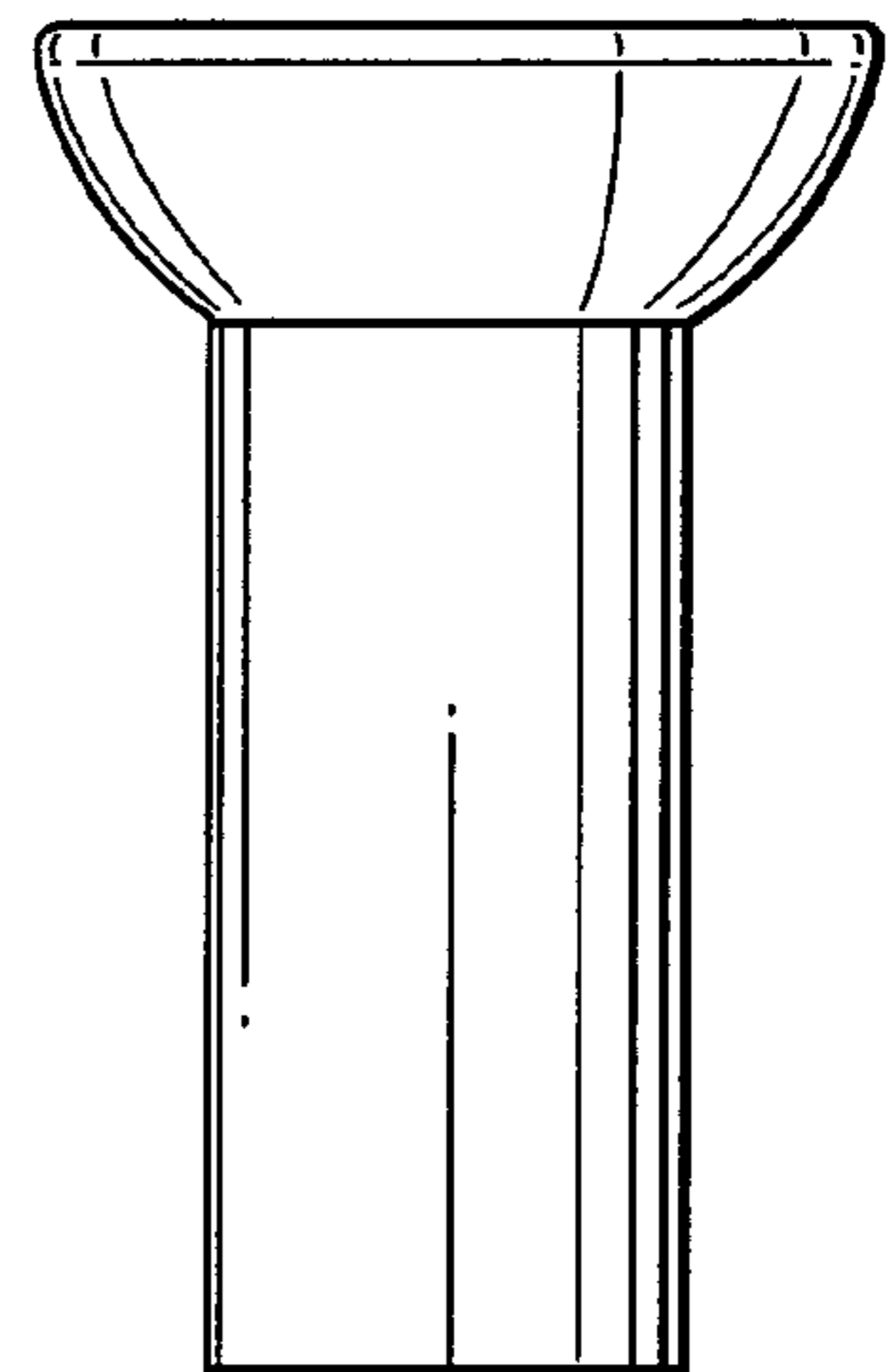
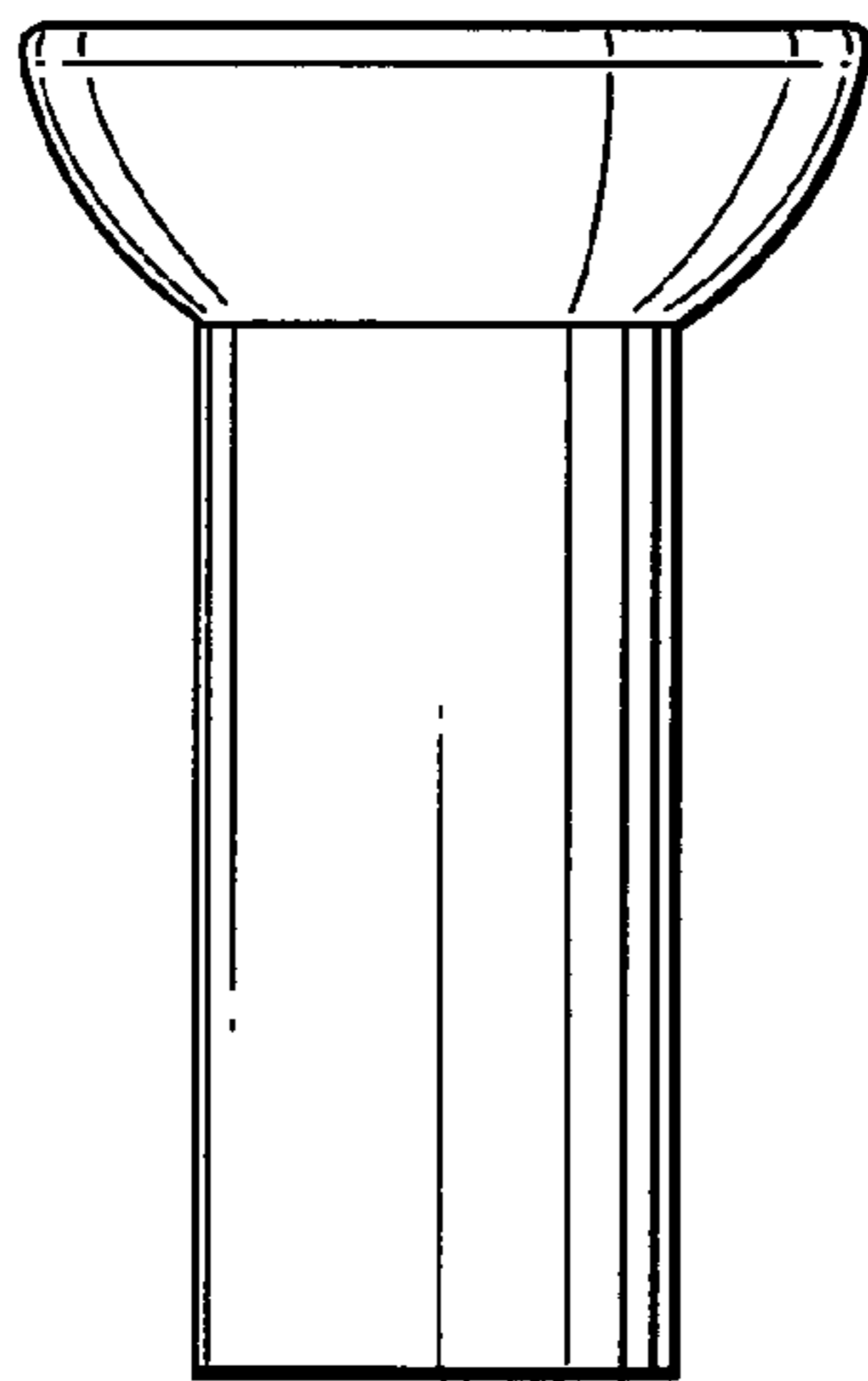


Fig. 5

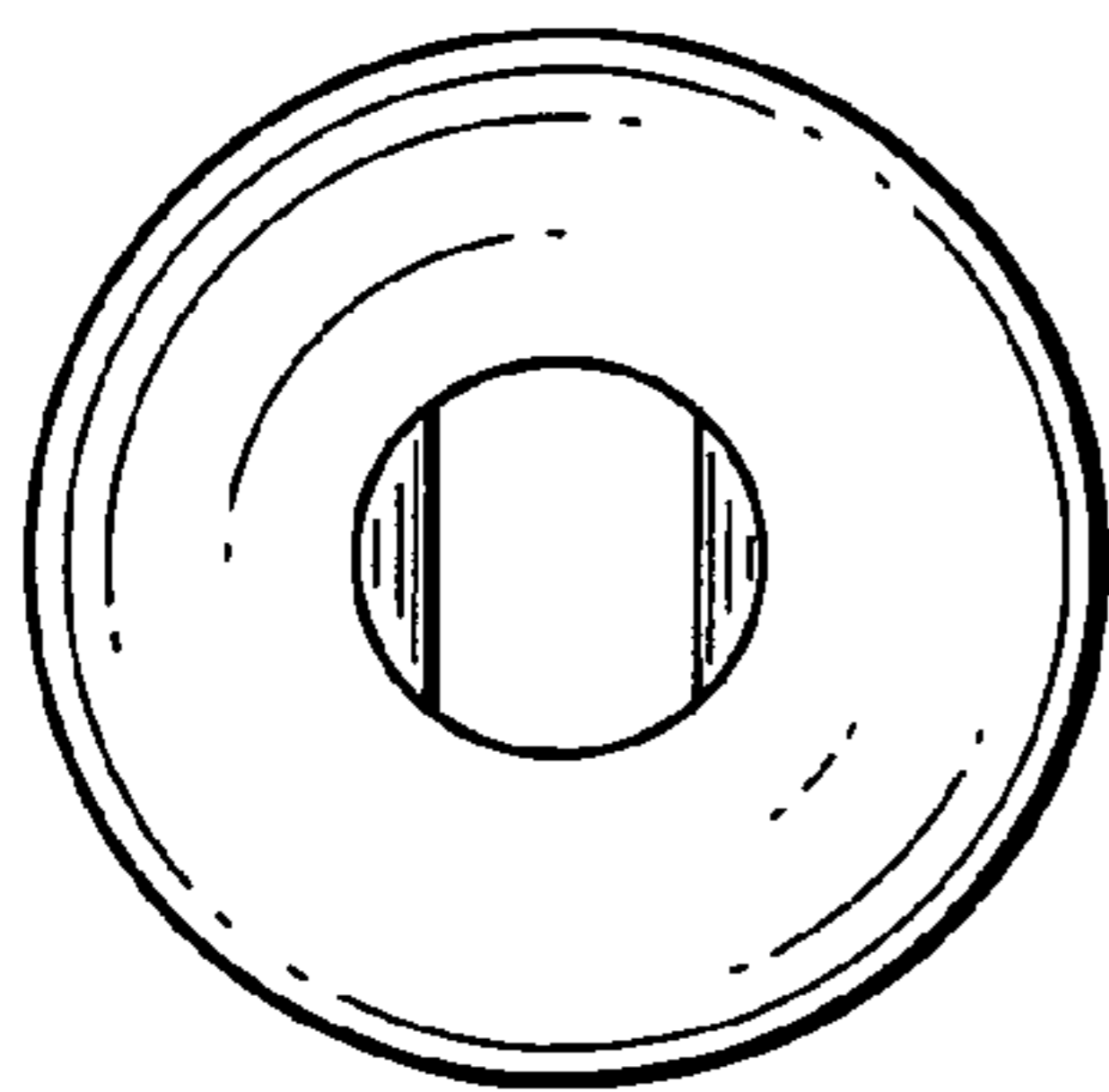


Fig. 6

Fig. 7

