



US00D618290S

(12) **United States Design Patent**
Nathanson

(10) **Patent No.:** **US D618,290 S**
(45) **Date of Patent:** **** Jun. 22, 2010**

(54) **GAME POUCH**

(76) Inventor: **Abraham Nathanson**, 151 Arnold Ave.,
Cranston, RI (US) 02905

(**) Term: **14 Years**

(21) Appl. No.: **29/346,904**

(22) Filed: **Nov. 9, 2009**

(51) **LOC (9) Cl.** **21-01**

(52) **U.S. Cl.** **D21/394; D3/289; D21/385**

(58) **Field of Classification Search** **D3/276,**
D3/289-290; D10/46.1; D21/385, 392-394
See application file for complete search history.

(56) **References Cited**

U.S. PATENT DOCUMENTS

D335,955 S *	6/1993	Omdahl	D3/289
D387,627 S *	12/1997	Keene	D3/289
D395,752 S *	7/1998	Foster	D3/289
D411,117 S *	6/1999	Takacs	D10/46.1

* cited by examiner

Primary Examiner—Sandra Morris
(74) *Attorney, Agent, or Firm*—Salter & Michaelson

(57) **CLAIM**

The ornamental design for a game pouch, as shown and described.

DESCRIPTION

FIG. 1 is a front perspective view of a game pouch showing my new design;

FIG. 2 is a rear perspective view thereof;

FIG. 3 is a front elevational view thereof;

FIG. 4 is a rear elevational view thereof;

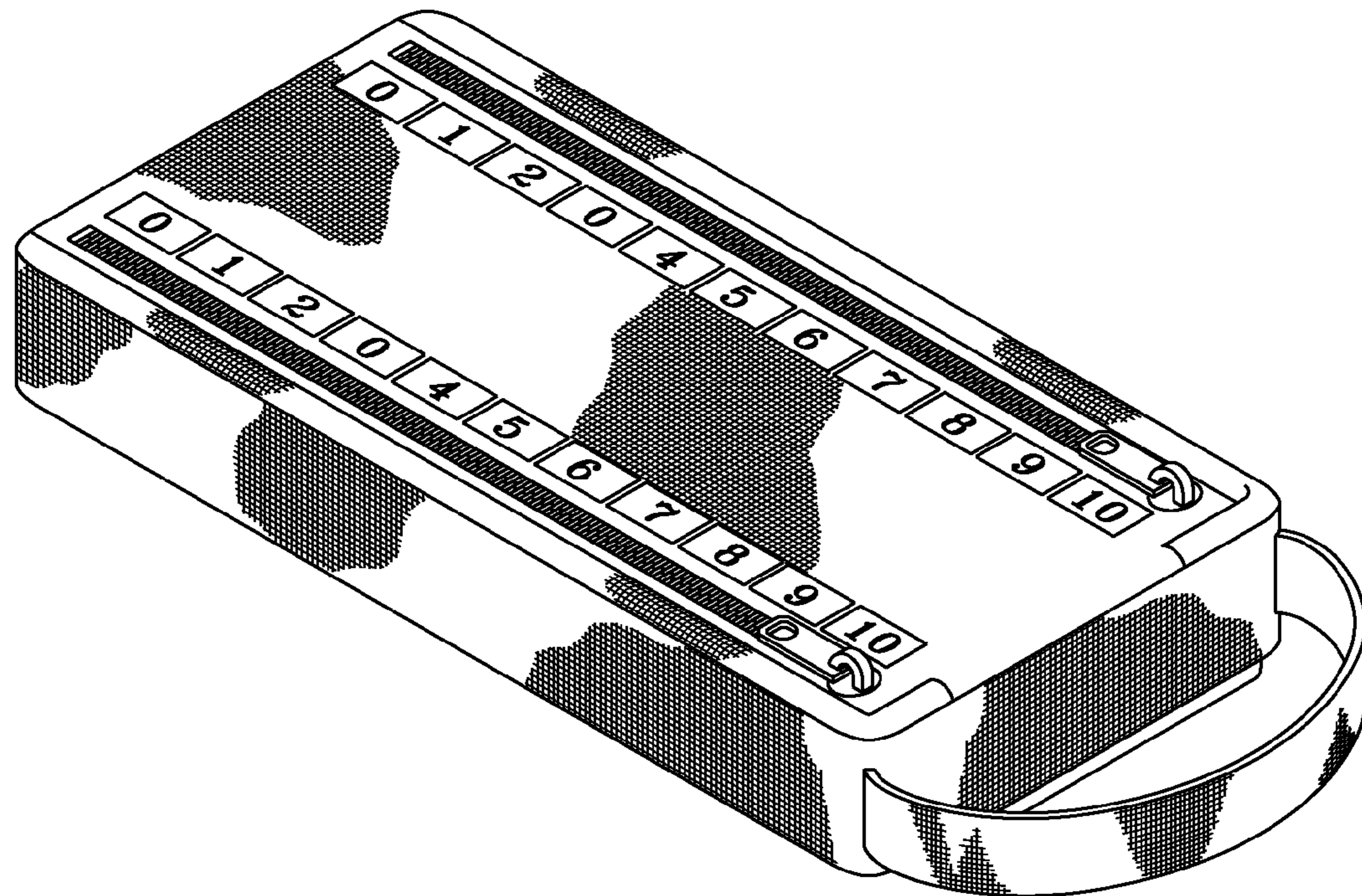
FIG. 5 is a left side elevational view thereof;

FIG. 6 is a right side elevational view thereof;

FIG. 7 is a top plan view thereof; and,

FIG. 8 is a bottom plan view thereof.

1 Claim, 4 Drawing Sheets



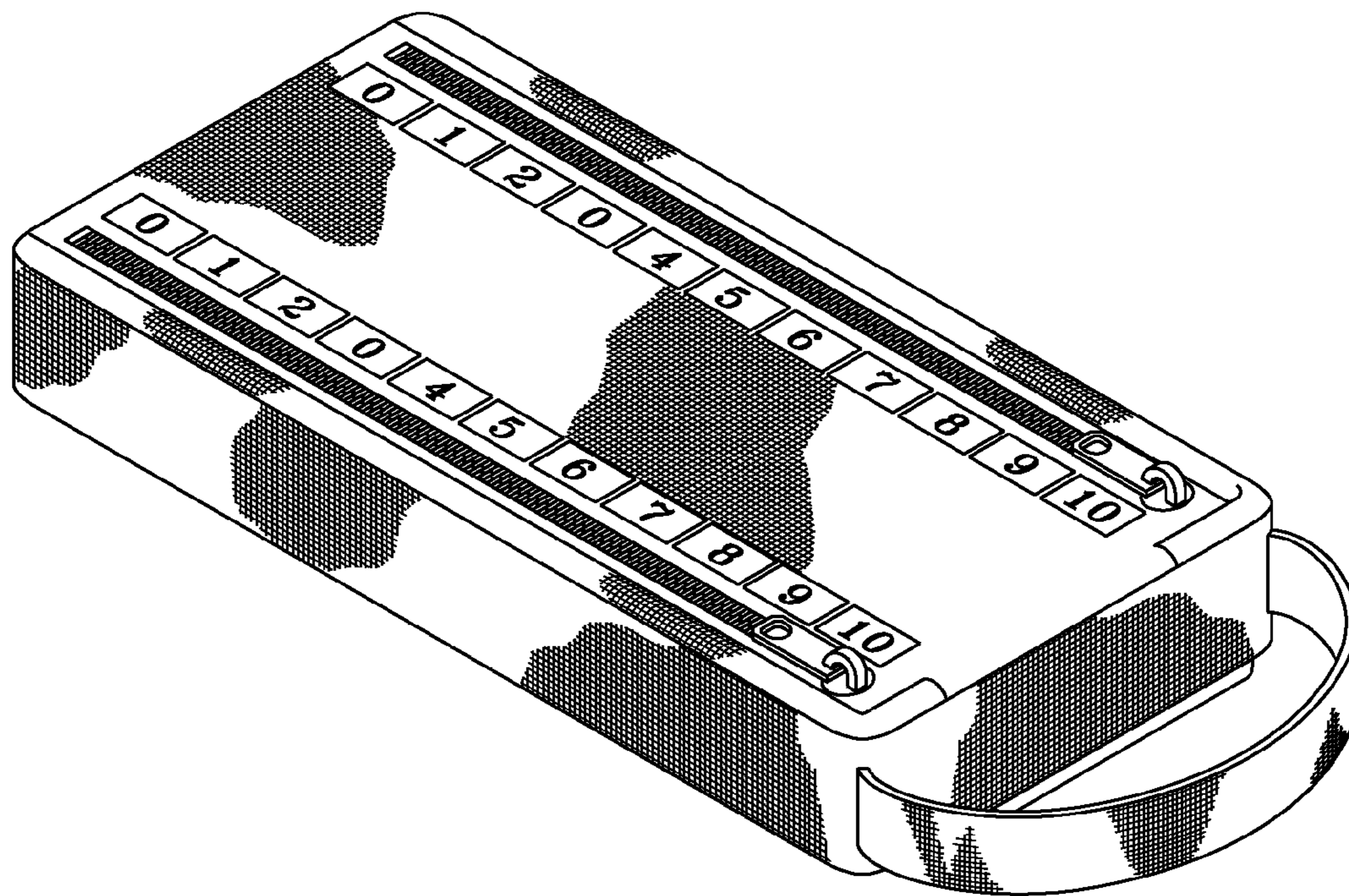


FIG. 1

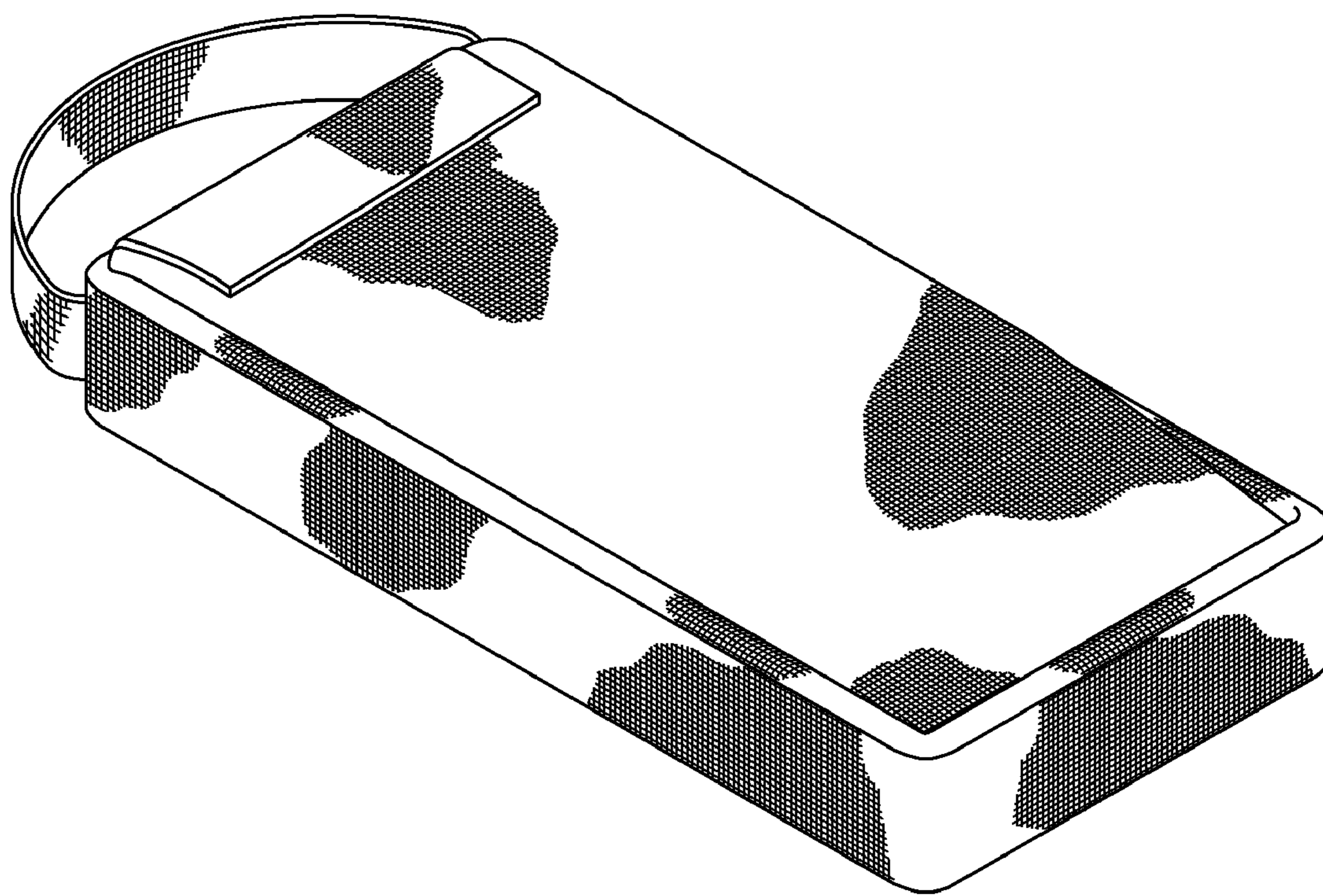


FIG. 2

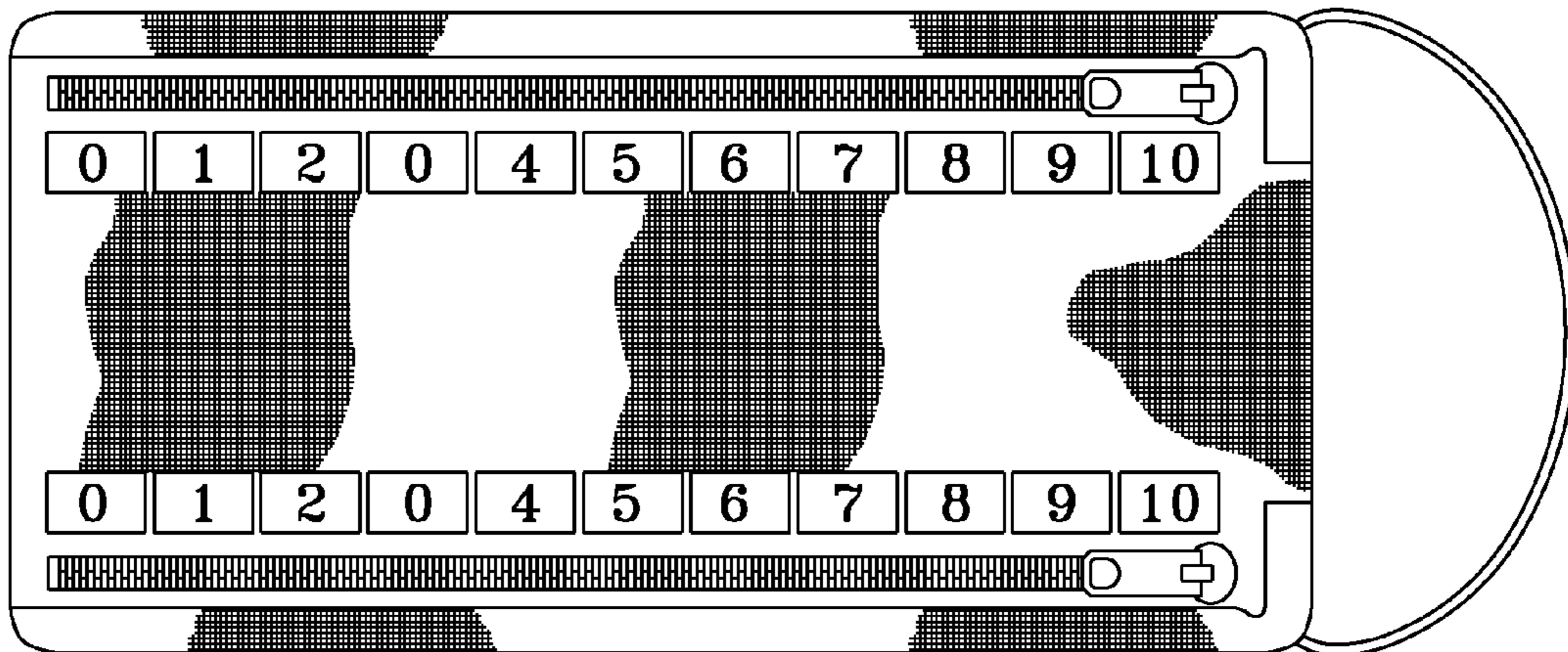


FIG. 3

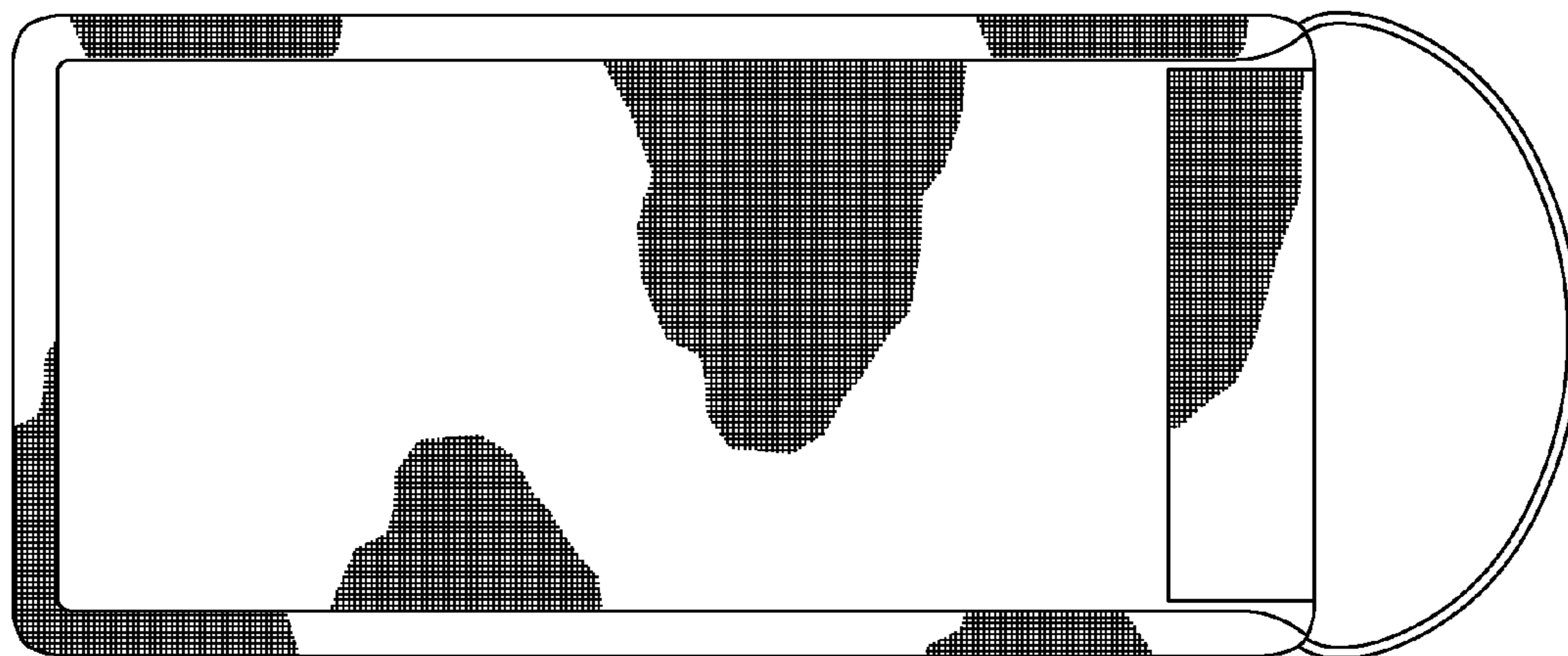


FIG. 4

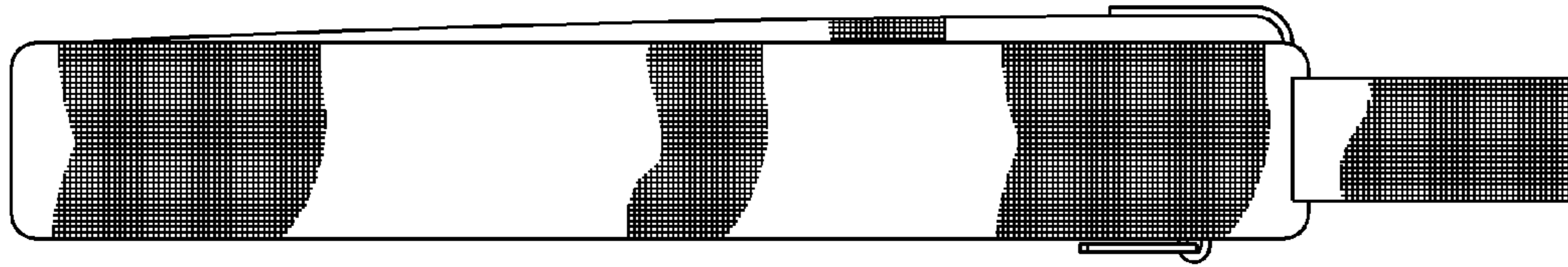


FIG. 5

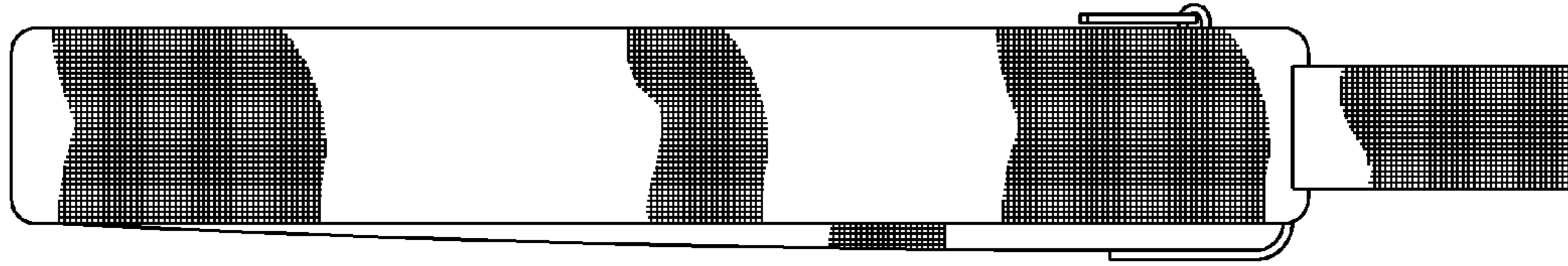


FIG. 6

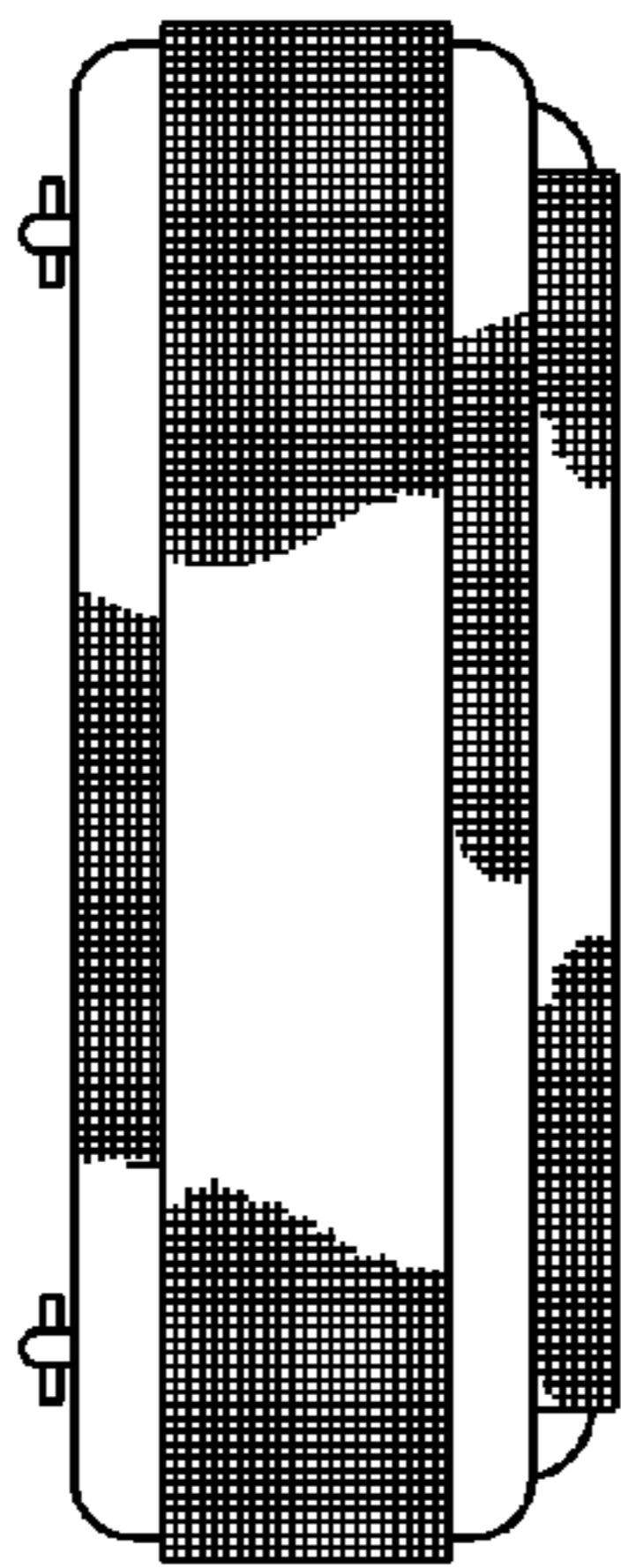


FIG. 7

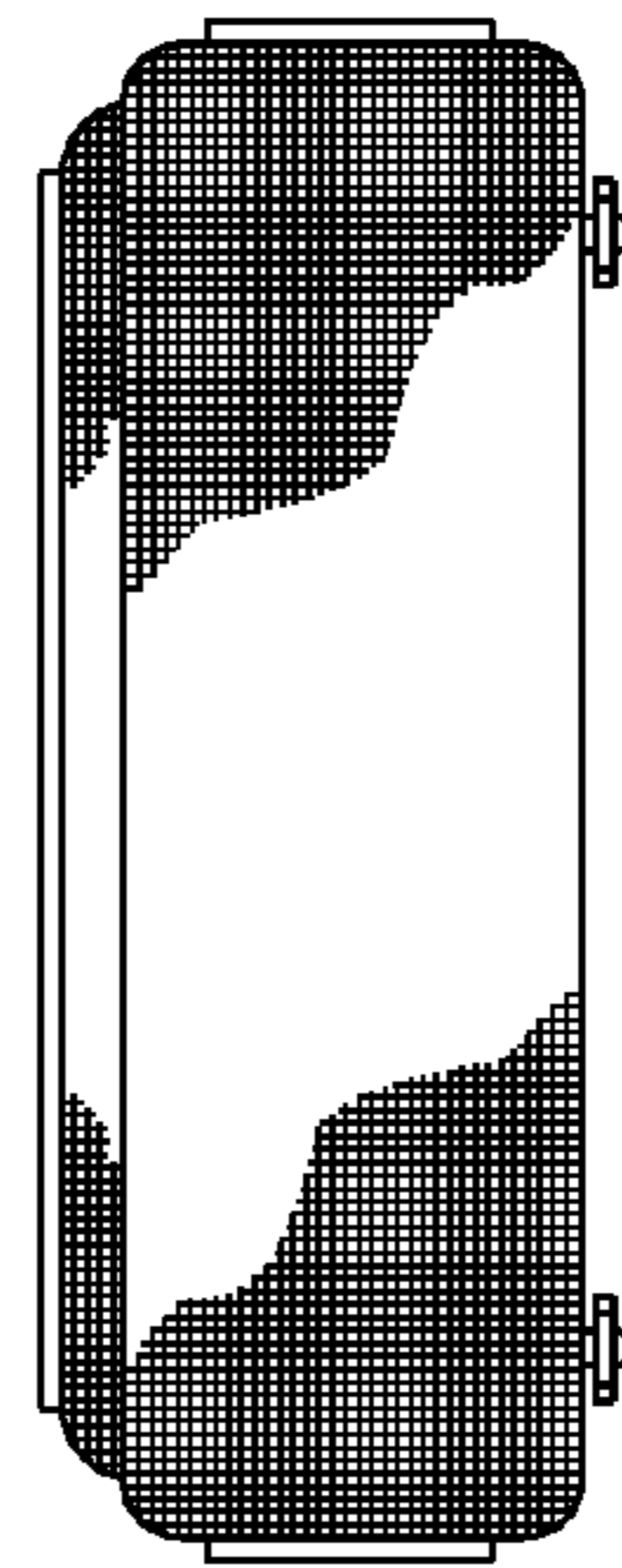


FIG. 8