



US00D618289S

(12) **United States Design Patent**
Kronenberg

(10) **Patent No.:** **US D618,289 S**

(45) **Date of Patent:** **** Jun. 22, 2010**

(54) **CHESS GAME PIECE**

(75) Inventor: **David Kronenberg**, 86 Brush Hill Rd.,
Sherborn, MA (US) 01770

(73) Assignee: **David Kronenberg**, Sherborn, MA (US)

(**) Term: **14 Years**

(21) Appl. No.: **29/339,766**

(22) Filed: **Jul. 7, 2009**

(51) **LOC (9) Cl.** **21-01**

(52) **U.S. Cl.** **D21/388**; D11/166

(58) **Field of Classification Search** D11/166;
D21/385-390; 166/63 P, 173

See application file for complete search history.

(56) **References Cited**

U.S. PATENT DOCUMENTS

2,775,221	A	*	12/1956	Olson	116/173
3,478,715	A	*	11/1969	Asbury	116/63 P
4,590,883	A	*	5/1986	Steed et al.	116/173
4,601,255	A	*	7/1986	Marcotti	116/173
D355,680	S	*	2/1995	Escobar et al.	D21/388
D464,912	S	*	10/2002	Powell	D11/166
D516,130	S	*	2/2006	Mathe	D21/388
D525,319	S	*	7/2006	Greenwald	D11/166
D565,124	S		3/2008	Kronenberg		

D566,002	S	*	4/2008	Fullalove et al.	D11/165
D568,415	S		5/2008	Kronenberg		
D580,499	S		11/2008	Kronenberg		

* cited by examiner

Primary Examiner—Sandra Morris

(74) *Attorney, Agent, or Firm*—Miller, Matthias & Hull

(57) **CLAIM**

The ornamental design for a chess game piece, as shown and described.

DESCRIPTION

FIG. 1 is a perspective view of the chess game piece, showing my new invention;

FIG. 2 is a front view of the device of FIG. 1;

FIG. 3 is a rear view of the device of FIG. 1;

FIG. 4 is a right side view of the device of FIG. 1;

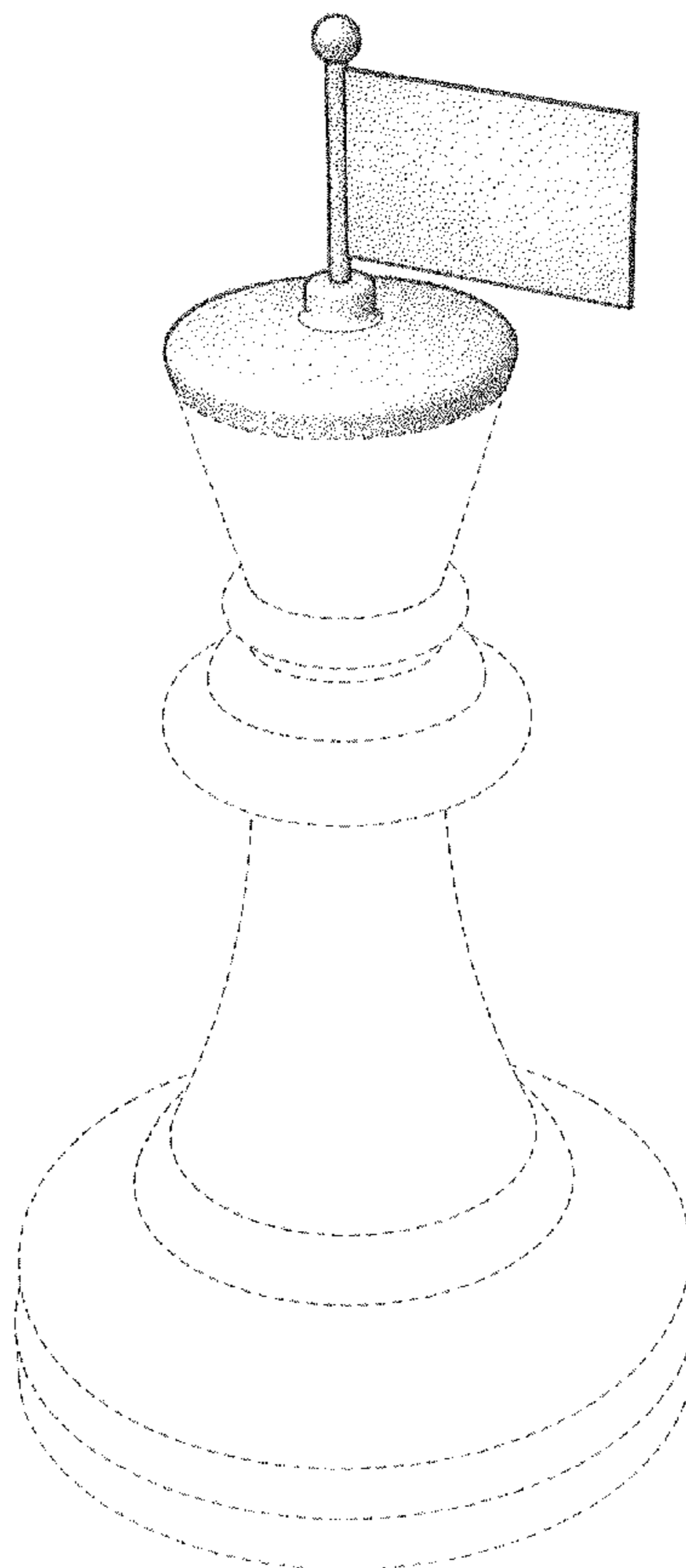
FIG. 5 is a left side view of the device of FIG. 1;

FIG. 6 is a top view of the device of FIG. 1; and,

FIG. 7 is a bottom view of the device of FIG. 1.

The broken line showing of the body of the chess piece is for illustrative purposes only and forms no part of the claimed design.

1 Claim, 3 Drawing Sheets



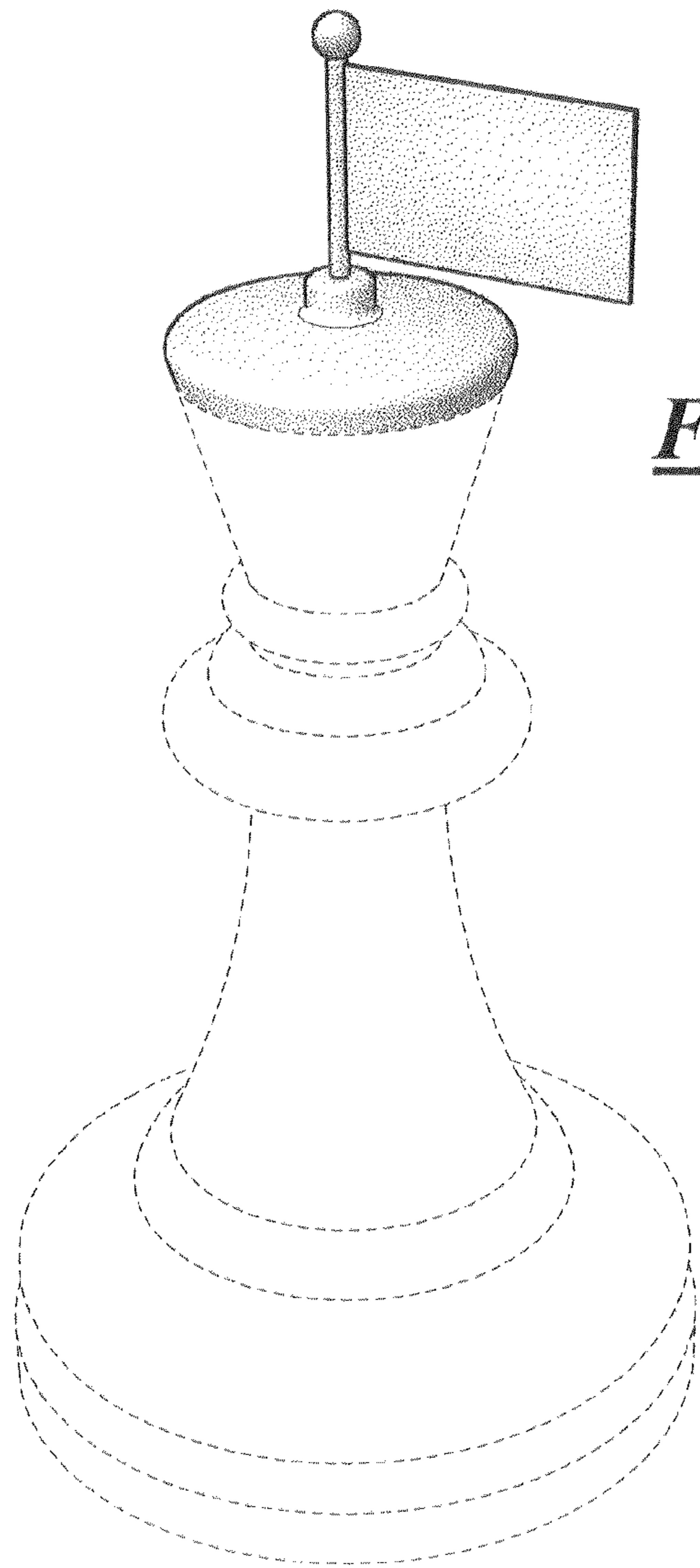


FIG. 1

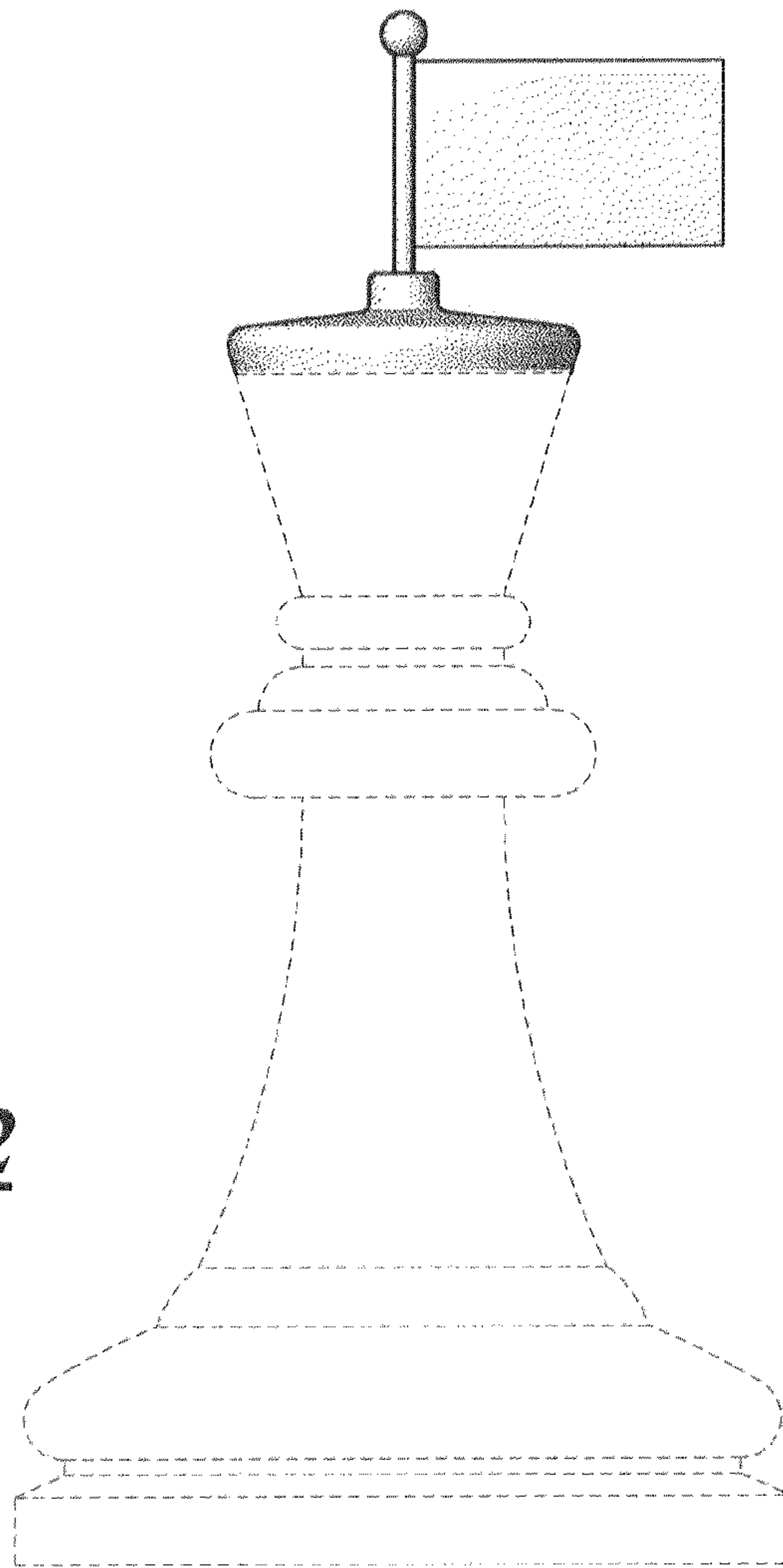


FIG. 2

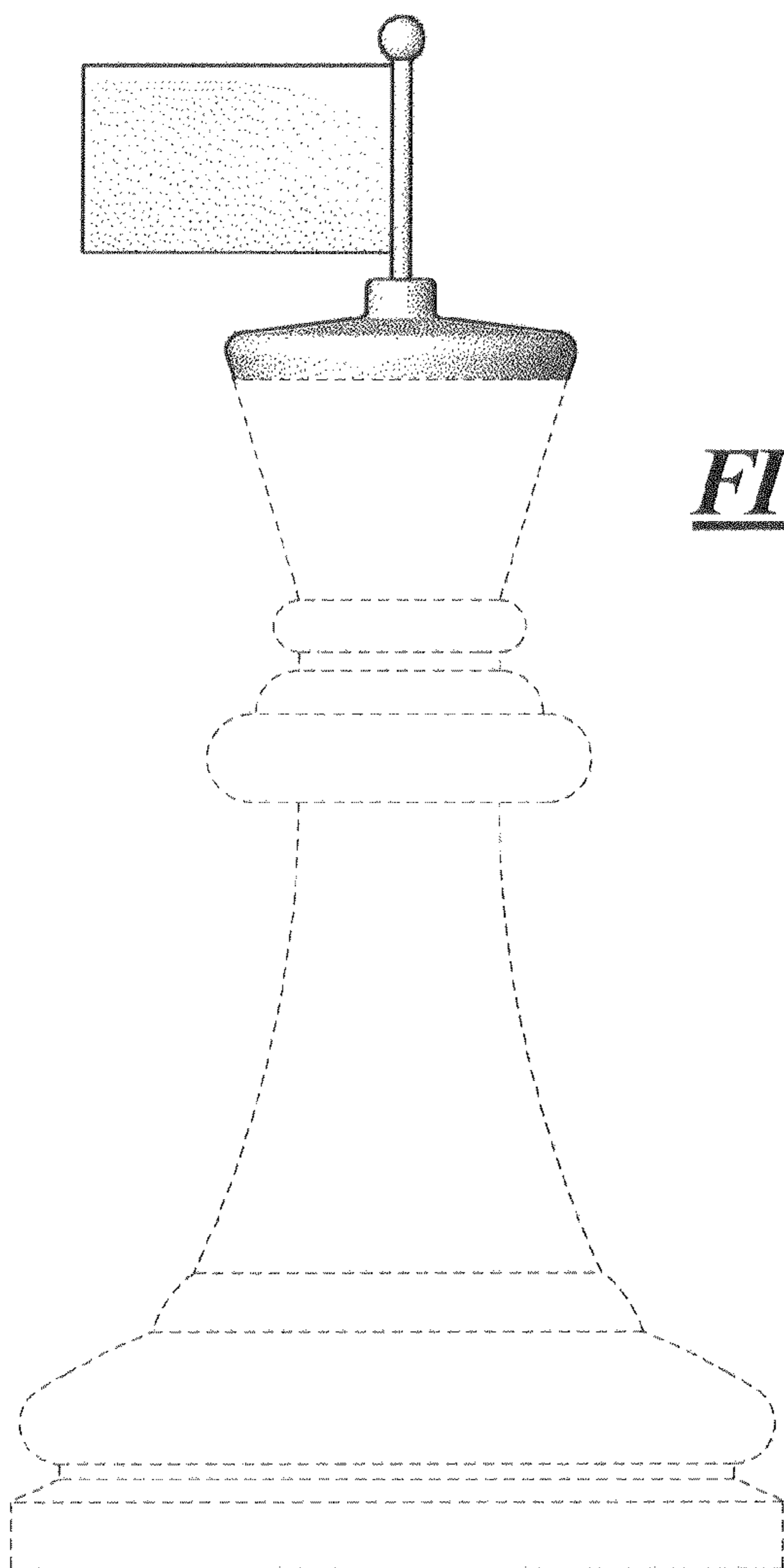


FIG. 3

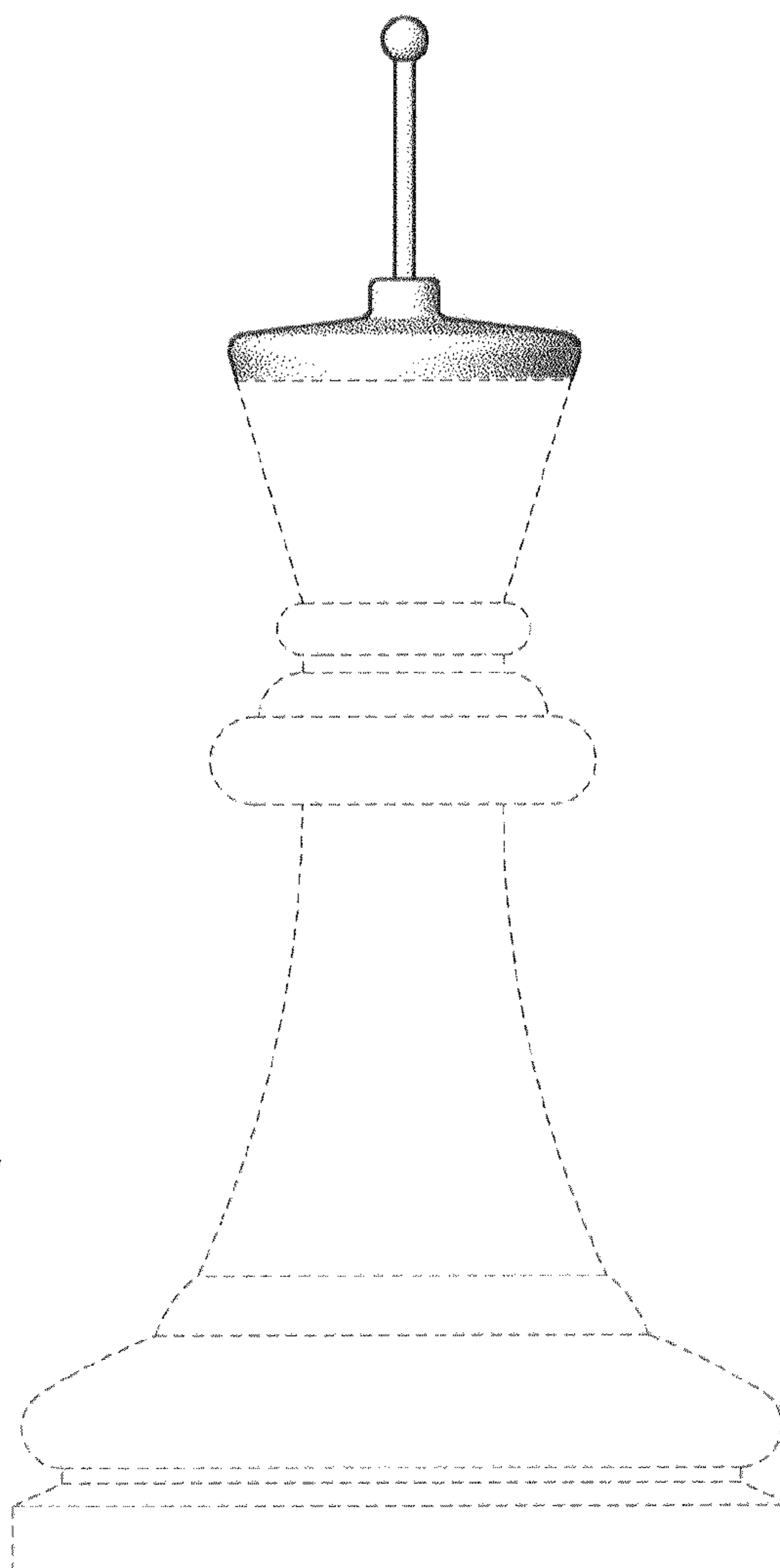


FIG. 4

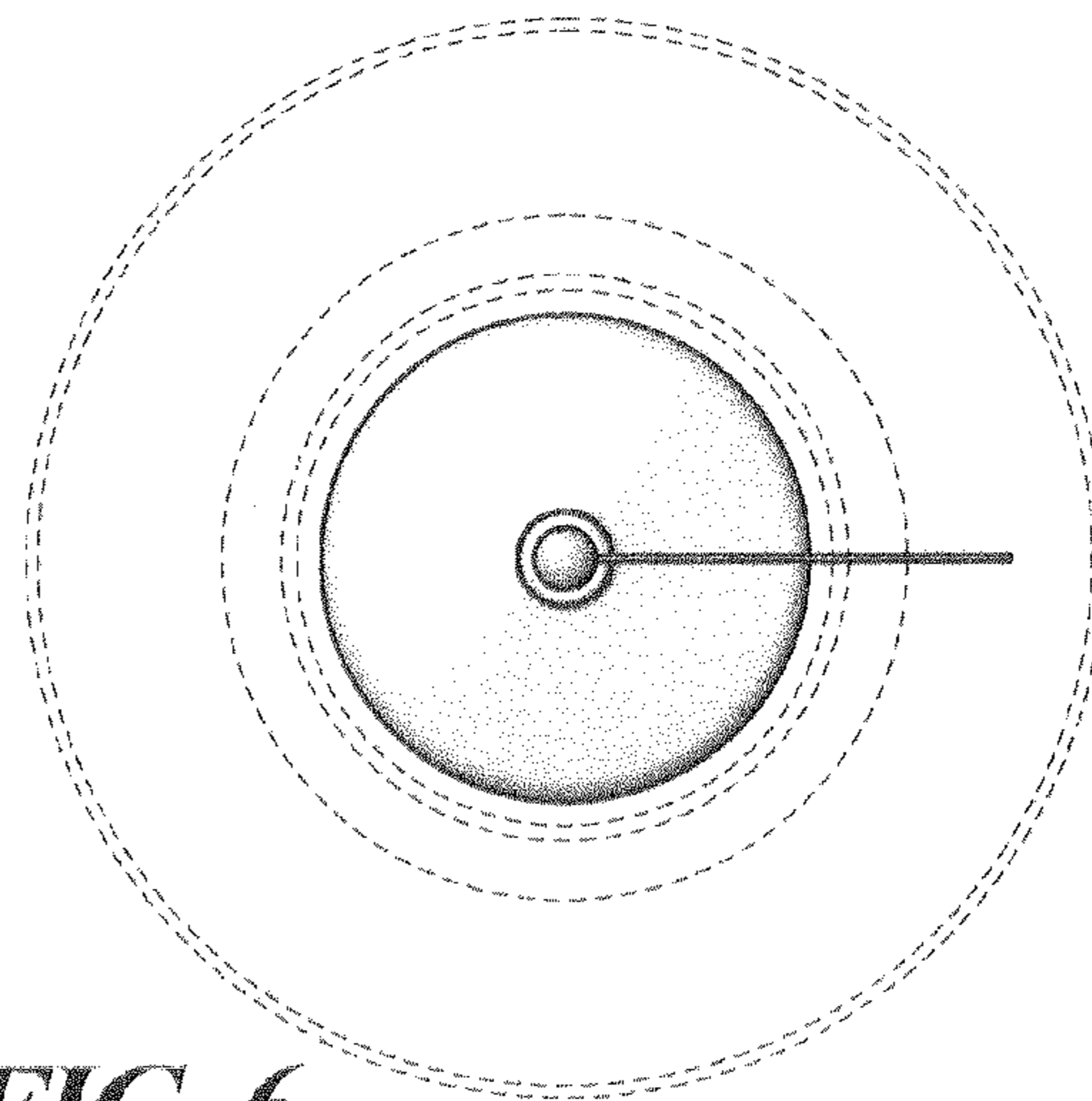
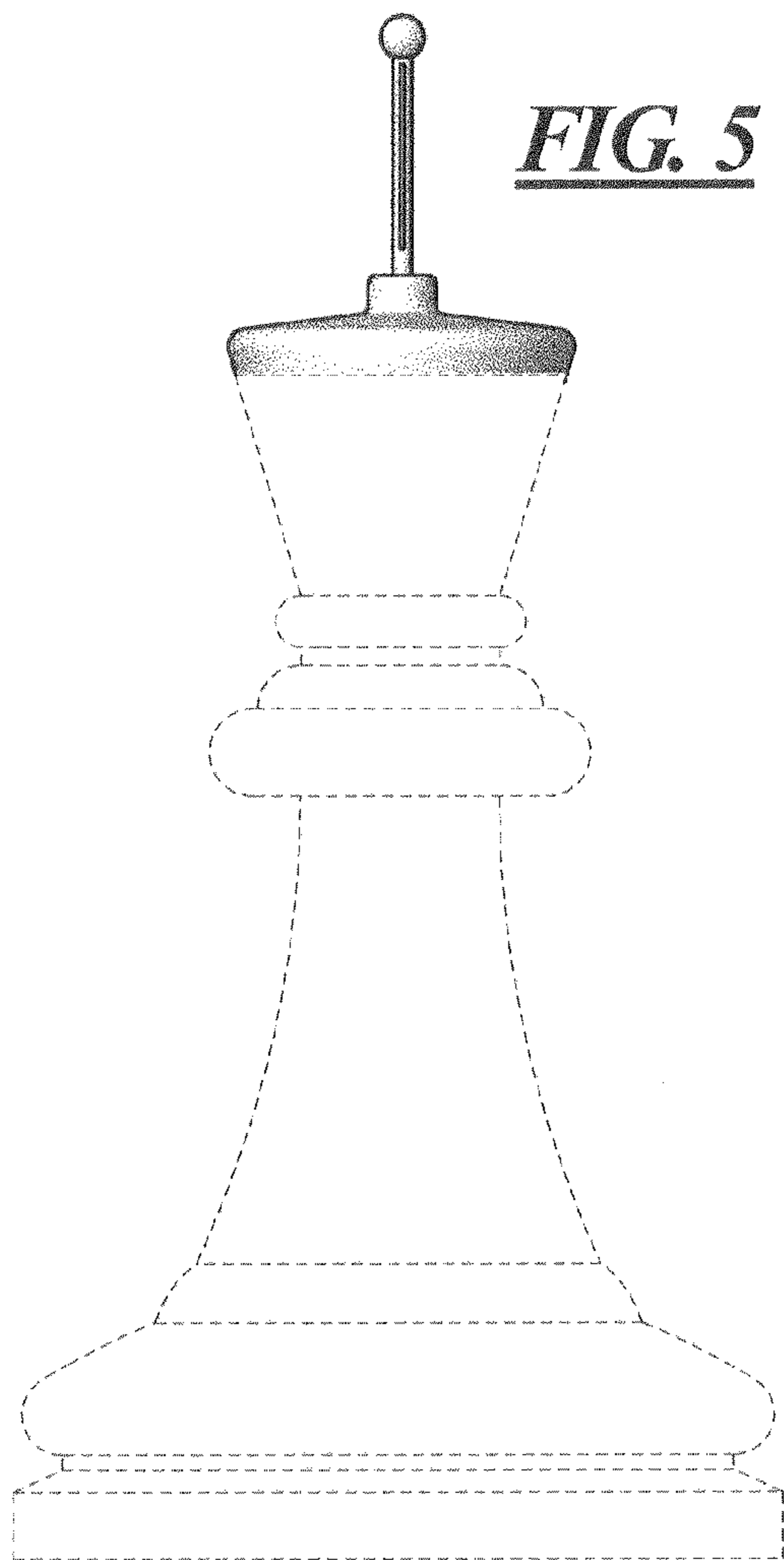


FIG. 6

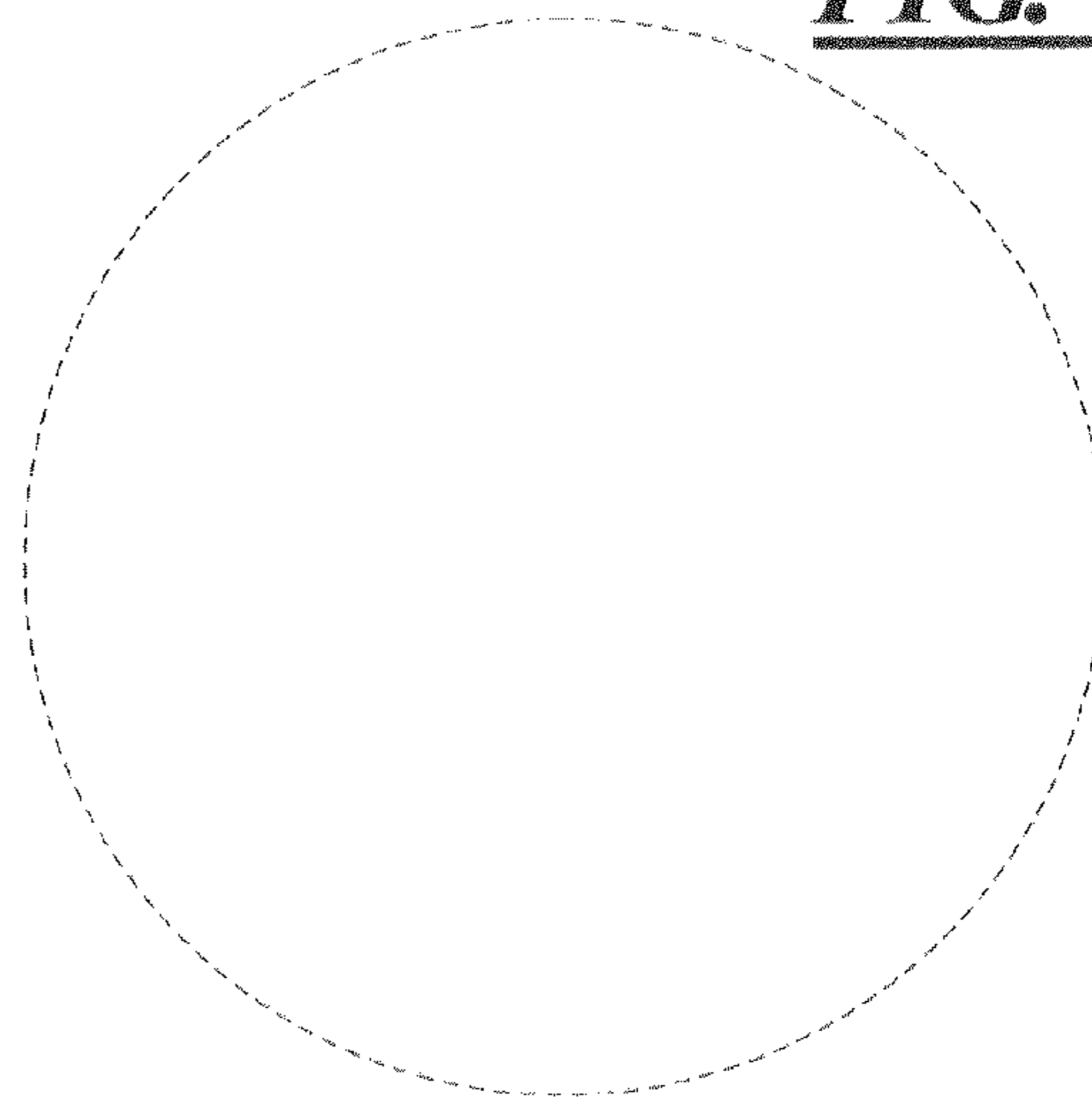


FIG. 7