



US00D618288S

(12) **United States Design Patent**  
**Kay et al.**

(10) **Patent No.:** **US D618,288 S**  
(45) **Date of Patent:** **\*\* \*Jun. 22, 2010**

(54) **HANDLE BASE FOR GAME CONTROLLER**

(75) Inventors: **Chu Siu Kay**, Kowloon (HK); **Jason Biheller**, Malibu, CA (US)

(73) Assignee: **Dreamgear, LLC**, Torrance, CA (US)

(\* ) Notice: This patent is subject to a terminal disclaimer.

(\*\*) Term: **14 Years**

(21) Appl. No.: **29/340,179**

(22) Filed: **Jul. 14, 2009**

(51) **LOC (9) Cl.** ..... **21-01**

(52) **U.S. Cl.** ..... **D21/333**

(58) **Field of Classification Search** ..... D21/324,  
D21/328, 333; D14/433, 434, 447, 356;  
273/148 B, 148 A; 463/29-35, 46, 47; 379/454,  
379/455; 361/679, 683; 345/156, 161  
See application file for complete search history.

(56) **References Cited**

**U.S. PATENT DOCUMENTS**

5,209,478 A \* 5/1993 Simpson ..... 273/148 B  
D376,585 S \* 12/1996 Wathen et al. .... D14/434  
6,241,247 B1 \* 6/2001 Sternberg et al. .... 273/148 B  
D458,934 S \* 6/2002 Mosquera ..... D14/434  
D466,122 S \* 11/2002 Moody ..... D14/434  
6,608,399 B2 \* 8/2003 McConnell et al. .... 307/10.1

6,667,881 B2 \* 12/2003 Oross et al. .... 361/679.4  
7,104,448 B2 \* 9/2006 Capurso et al. .... 235/385  
D543,246 S \* 5/2007 Ashida et al. .... D21/333  
D552,185 S \* 10/2007 Hussaini et al. .... D21/333  
D575,350 S \* 8/2008 Ashida et al. .... D21/333  
D584,732 S \* 1/2009 Cho et al. .... D14/434

\* cited by examiner

*Primary Examiner*—Prabhakar Deshmukh

(74) *Attorney, Agent, or Firm*—Christie, Parker & Hale, LLP.

(57) **CLAIM**

The ornamental design for handle base for game controller, as shown and described.

**DESCRIPTION**

FIG. 1 is bottom perspective view of the handle base for game controller of the invention.

FIG. 2. is a top view thereof.

FIG. 3 is a right side view thereof.

FIG. 4 is a bottom view thereof.

FIG. 5 is a front view thereof; and,

FIG. 6 is a rear view thereof.

The left side view of the handle base for game controller of the invention (not shown), is a mirror image of the right side view shown in FIG. 3. Portions of the controller shown in broken lines form no part of the claimed design.

**1 Claim, 5 Drawing Sheets**

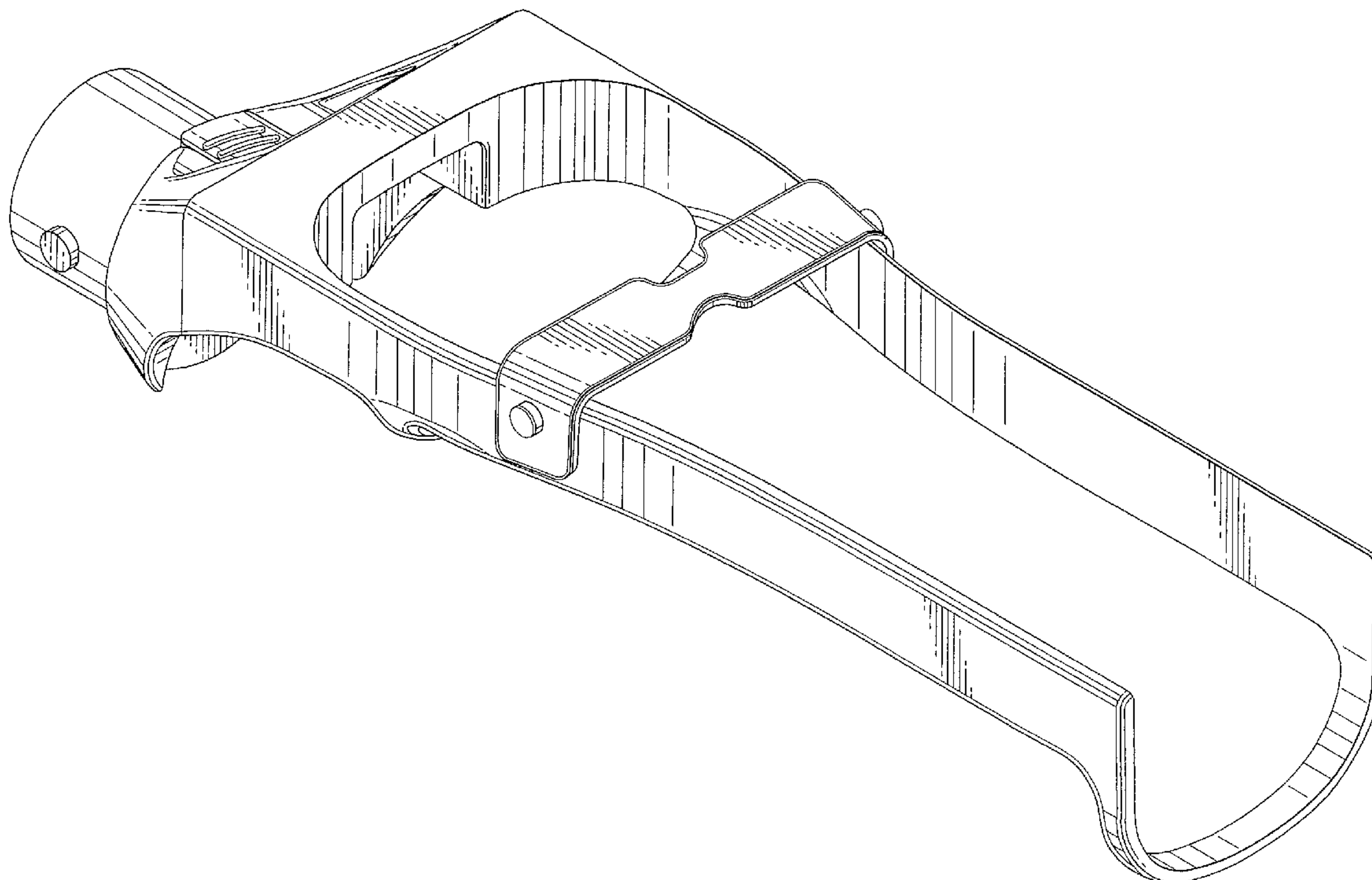


FIG. 1

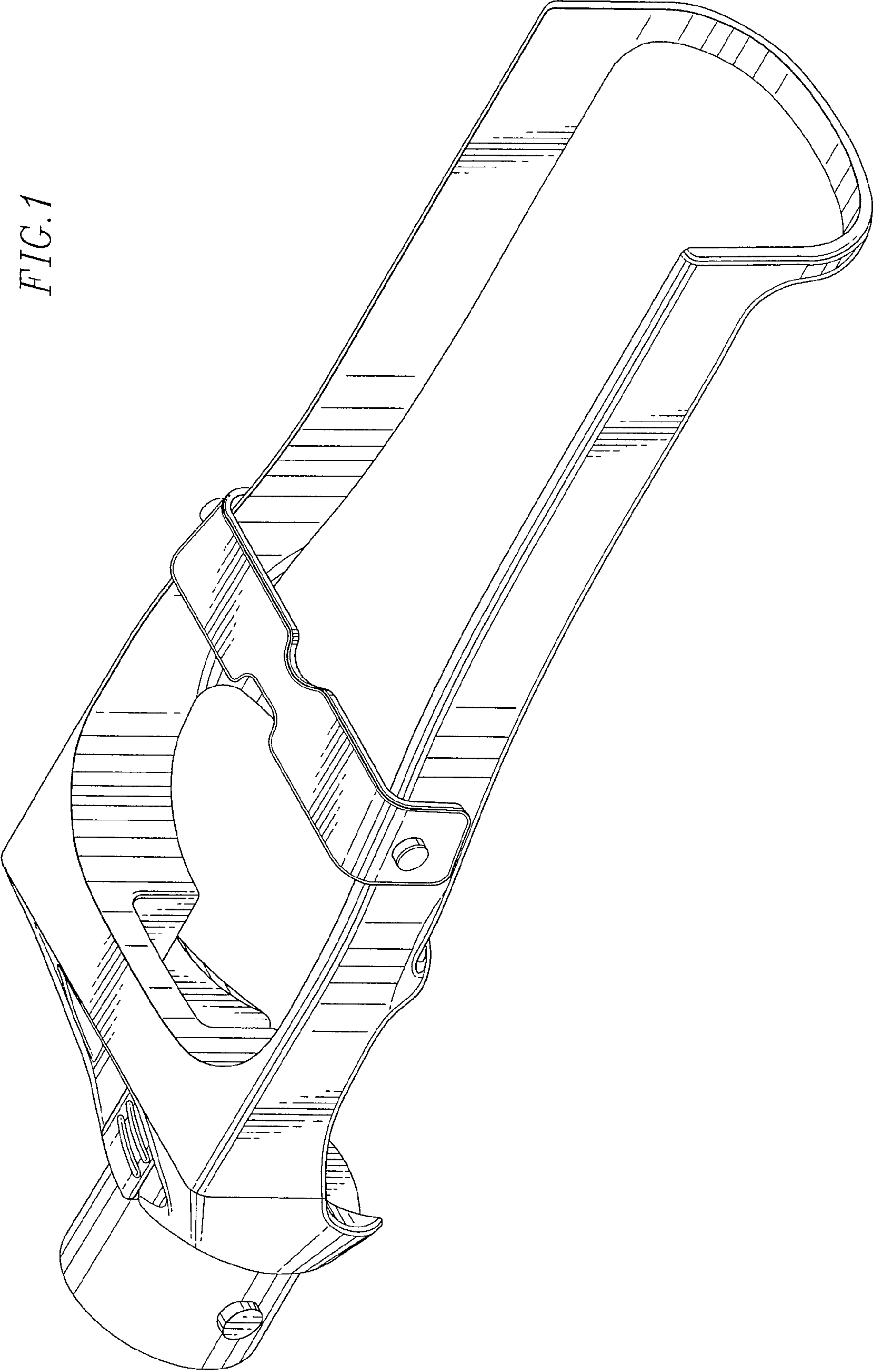
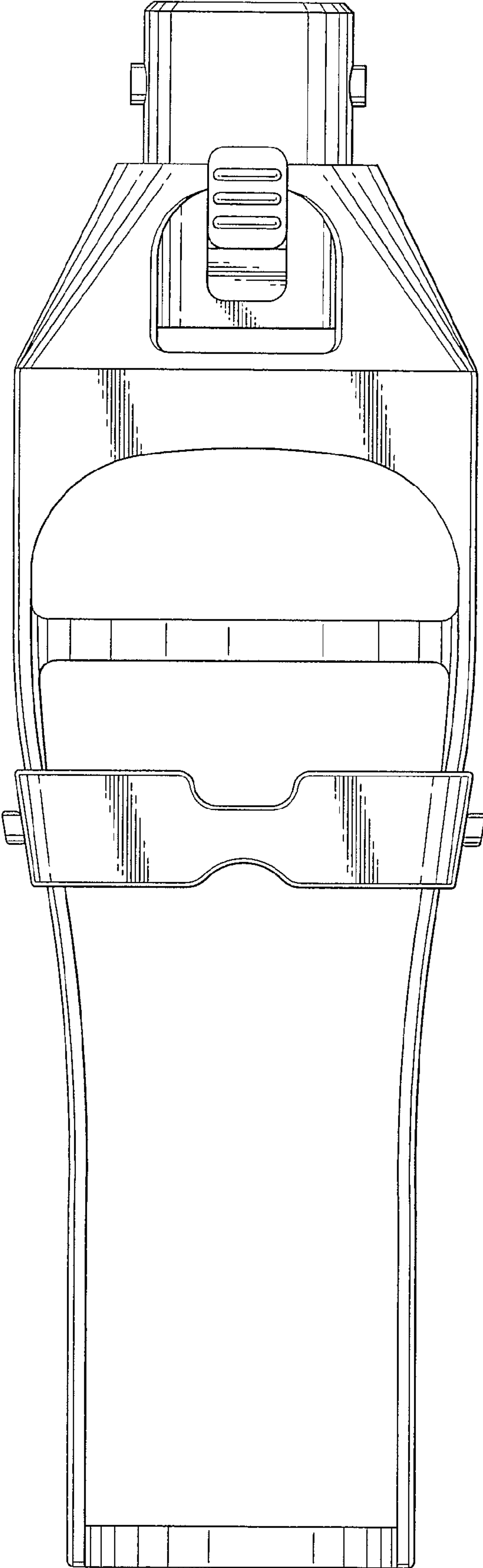
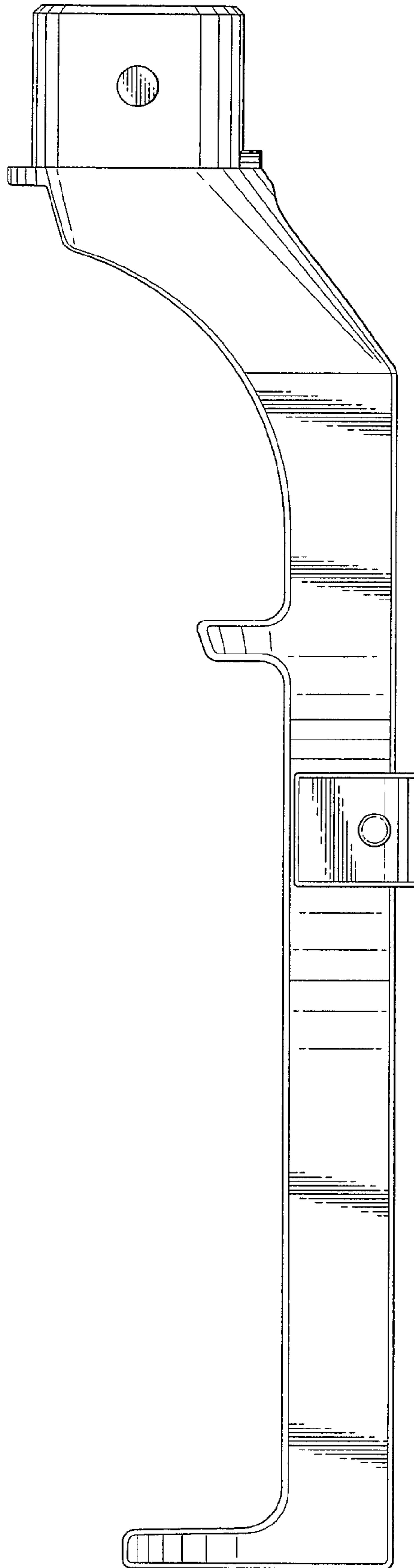


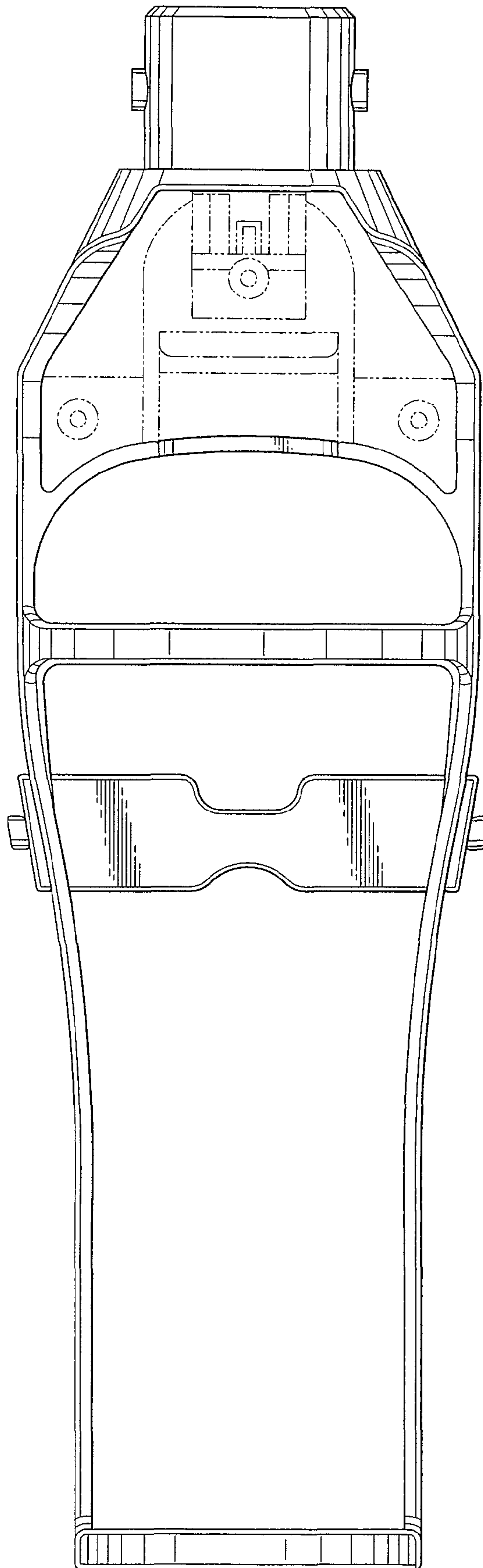
FIG. 2



*FIG. 3*

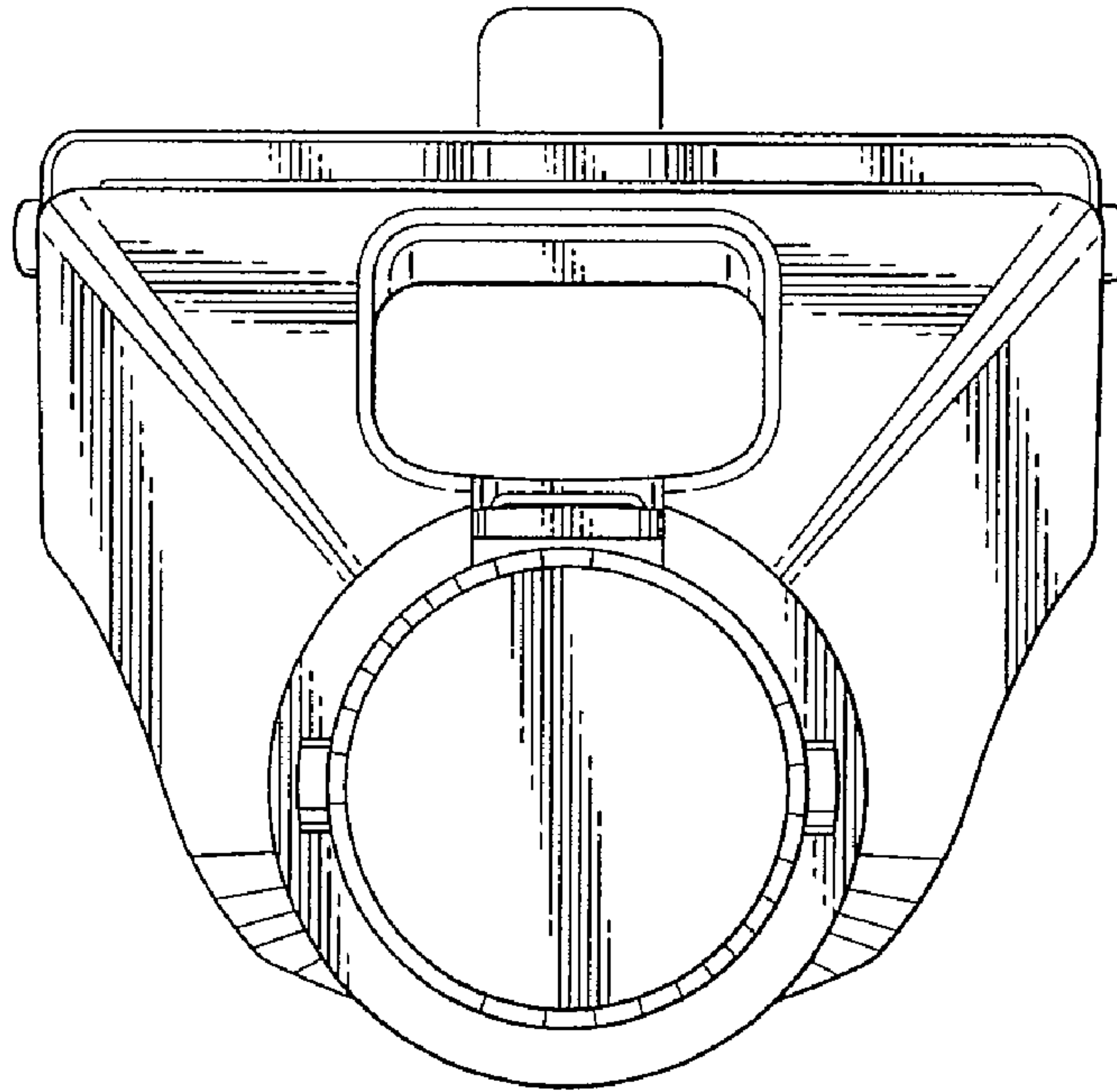


*FIG. 4*





*FIG. 5*



*FIG. 6*

