



US00D618287S

(12) **United States Design Patent**
Biheller et al.

(10) **Patent No.:** **US D618,287 S**

(45) **Date of Patent:** **** Jun. 22, 2010**

(54) **ARCADE GAME CONTROLLER**

(75) Inventors: **Jason Biheller**, Malibu, CA (US); **Sam Ho**, Kwoloon (HK)

(73) Assignee: **Dreamgear, LLC**, Torrance, CA (US)

(**) Term: **14 Years**

(21) Appl. No.: **29/340,354**

(22) Filed: **Jul. 16, 2009**

(51) **LOC (9) Cl.** **21-01**

(52) **U.S. Cl.** **D21/328; D21/333; D14/400**

(58) **Field of Classification Search** D21/324,
D21/328, 330-333; D14/399-401, 412,
D14/356, 432, 454, 496; 273/148 B; 463/1,
463/29-35, 46, 47; 345/156, 161, 168, 169;
74/469, 471 R, 471 XY

See application file for complete search history.

(56) **References Cited**

U.S. PATENT DOCUMENTS

D320,624 S *	10/1991	Taylor	D21/331
5,207,426 A *	5/1993	Inoue et al.	463/36
D345,164 S *	3/1994	Grae	D14/401
D360,903 S *	8/1995	Barr et al.	D14/401
5,643,087 A *	7/1997	Marcus et al.	463/38
D382,916 S *	8/1997	Oikawa	D14/401
5,700,194 A *	12/1997	Hsien	463/37

5,769,719 A *	6/1998	Hsu	463/37
5,785,317 A *	7/1998	Sasaki	273/148 B
6,042,478 A *	3/2000	Ng	463/44
D542,855 S *	5/2007	Lim	D21/333
D568,883 S *	5/2008	Ashida et al.	D14/400
D570,349 S *	6/2008	Ashida et al.	D14/400

* cited by examiner

Primary Examiner—Prabhakar Deshmukh

(74) *Attorney, Agent, or Firm*—Christie, Parker & Hale, LLP

(57) **CLAIM**

The ornamental design for arcade game controller, as shown and described.

DESCRIPTION

FIG. 1 is top front perspective view of the arcade game controller of the invention.

FIG. 2 is a top plan view thereof.

FIG. 3 is a front view thereof.

FIG. 4 is a right side view thereof.

FIG. 5 is a rear view thereof.

FIG. 6 is a left side view thereof; and,

FIG. 7 is a bottom view thereof.

The broken lines are for illustrative purpose only and form no part of the claimed design.

1 Claim, 7 Drawing Sheets

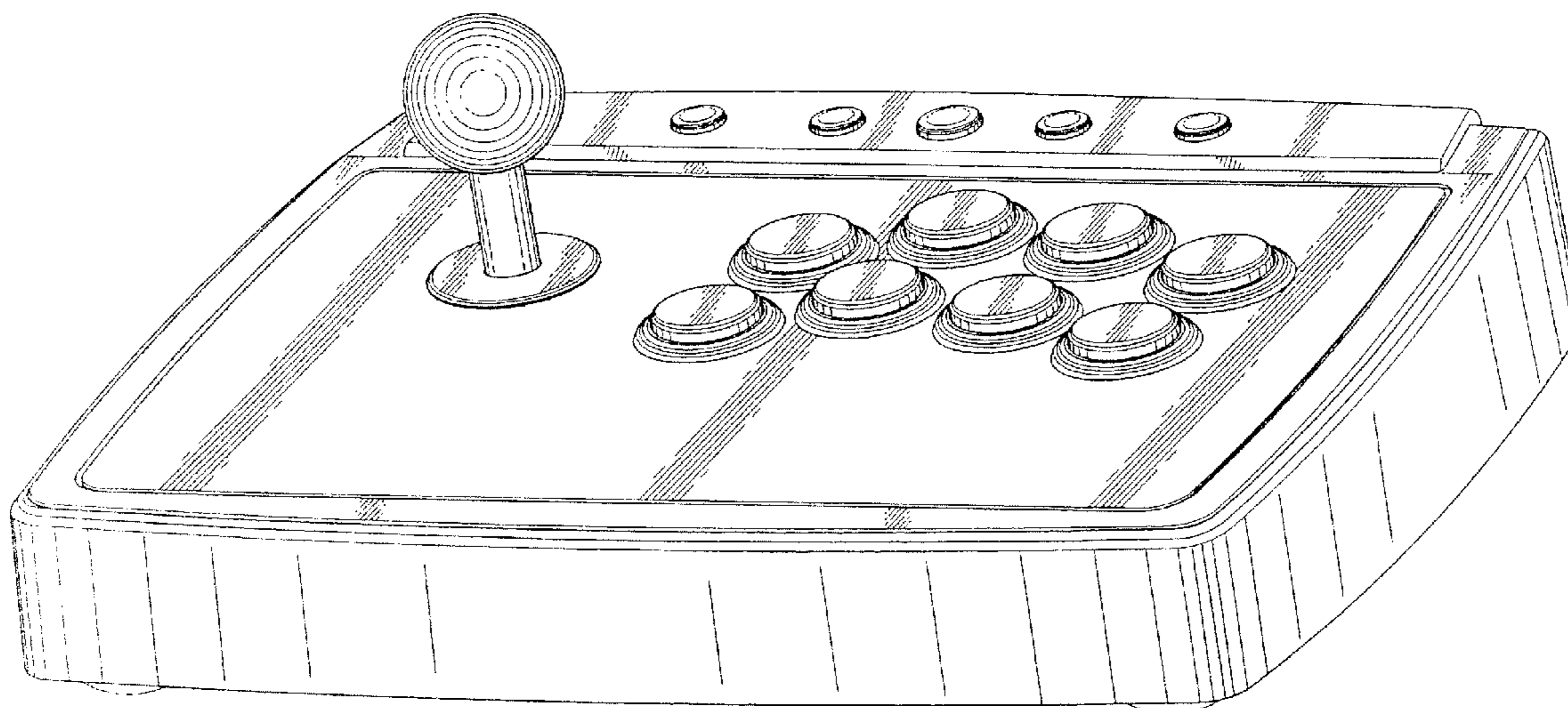
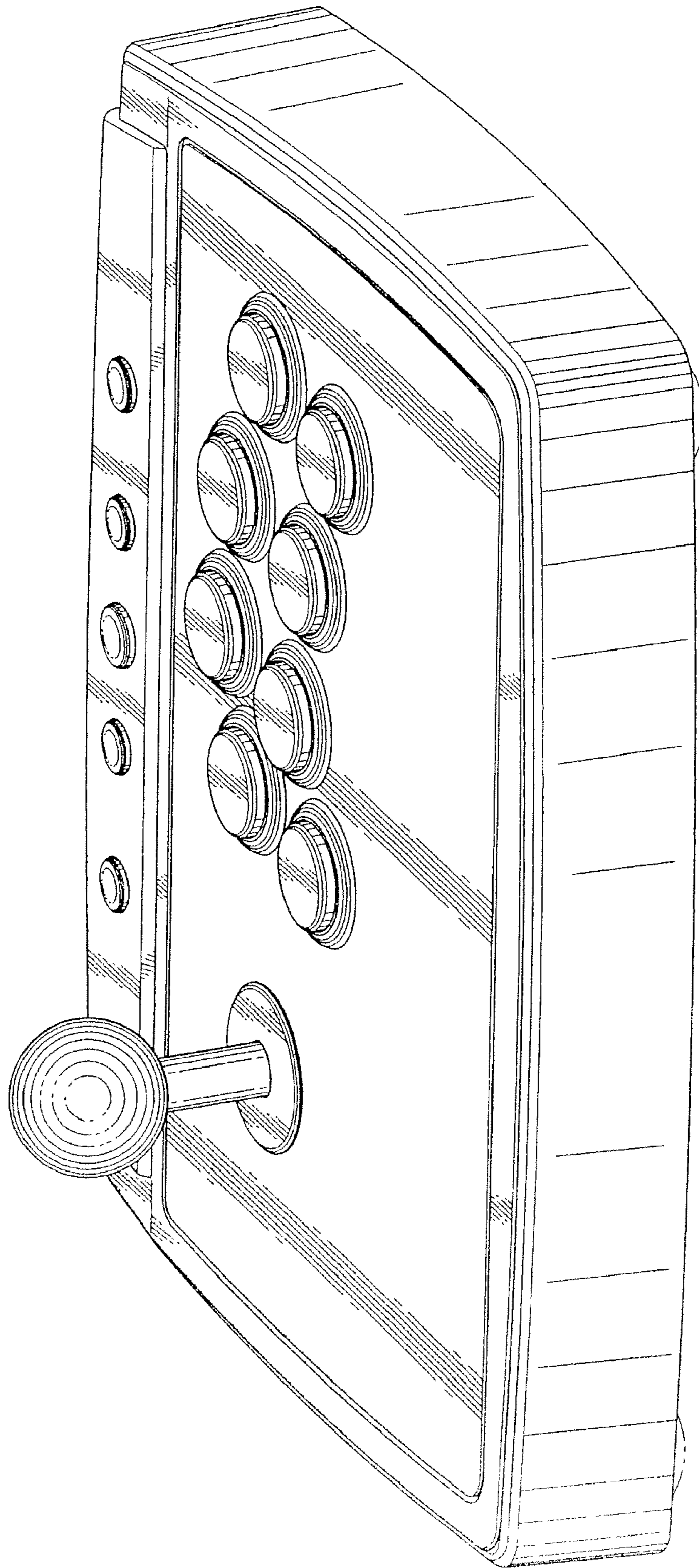


FIG. 1



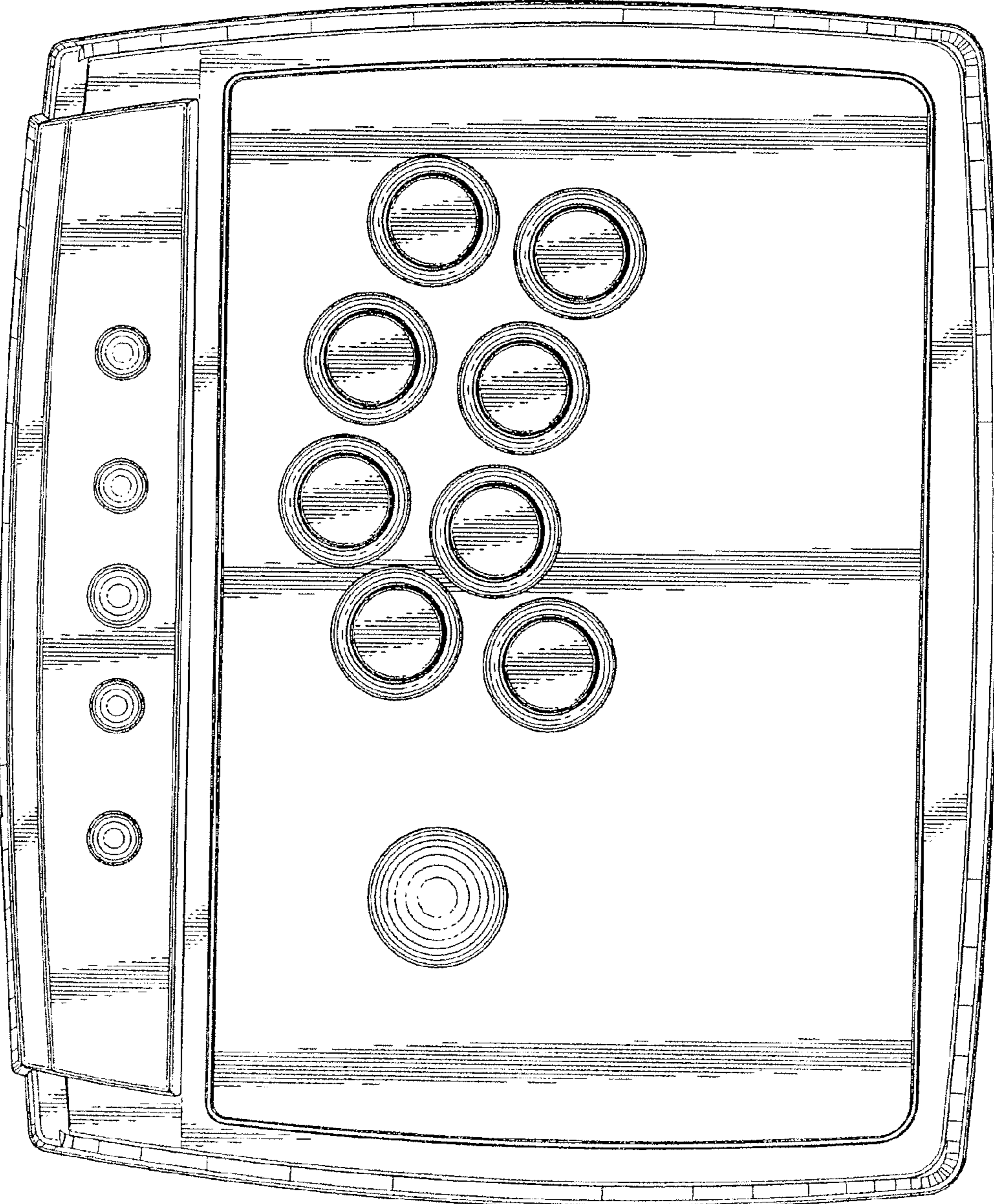


FIG. 2

FIG. 3

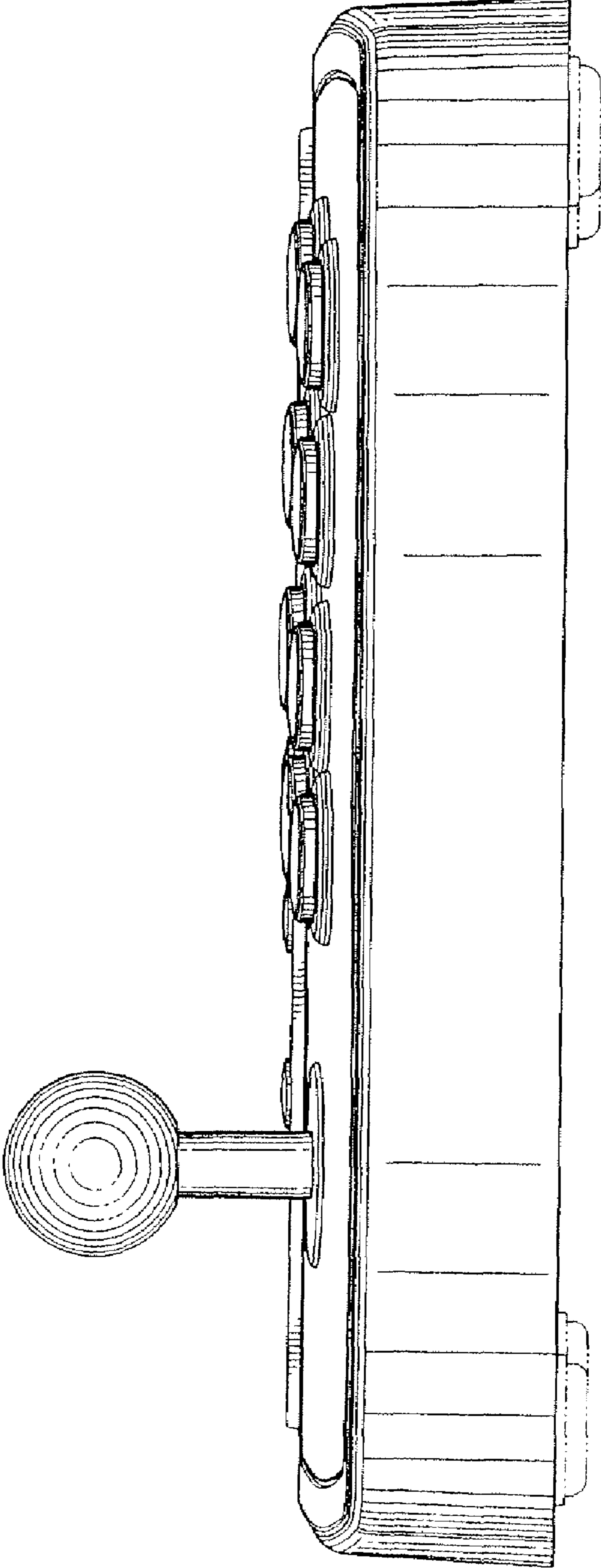
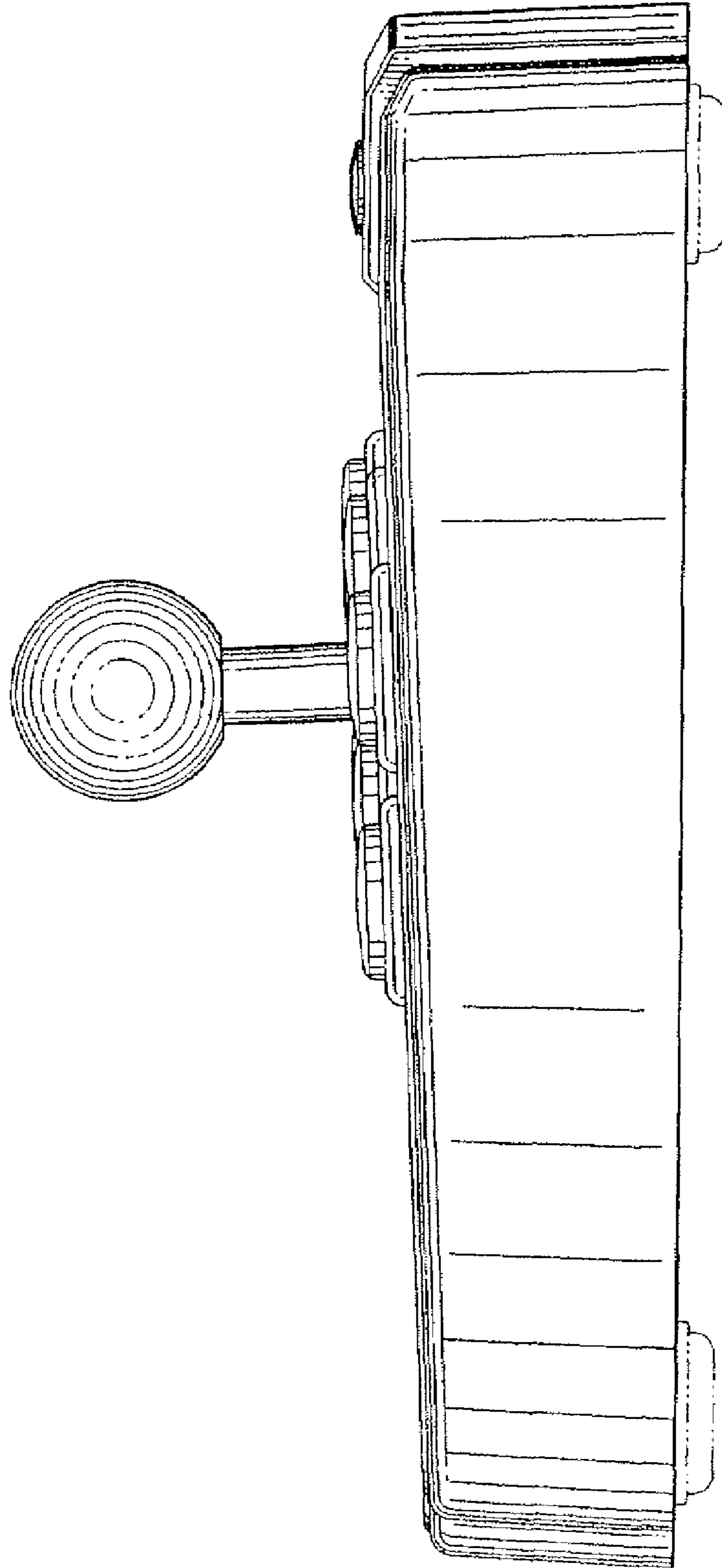


FIG. 4



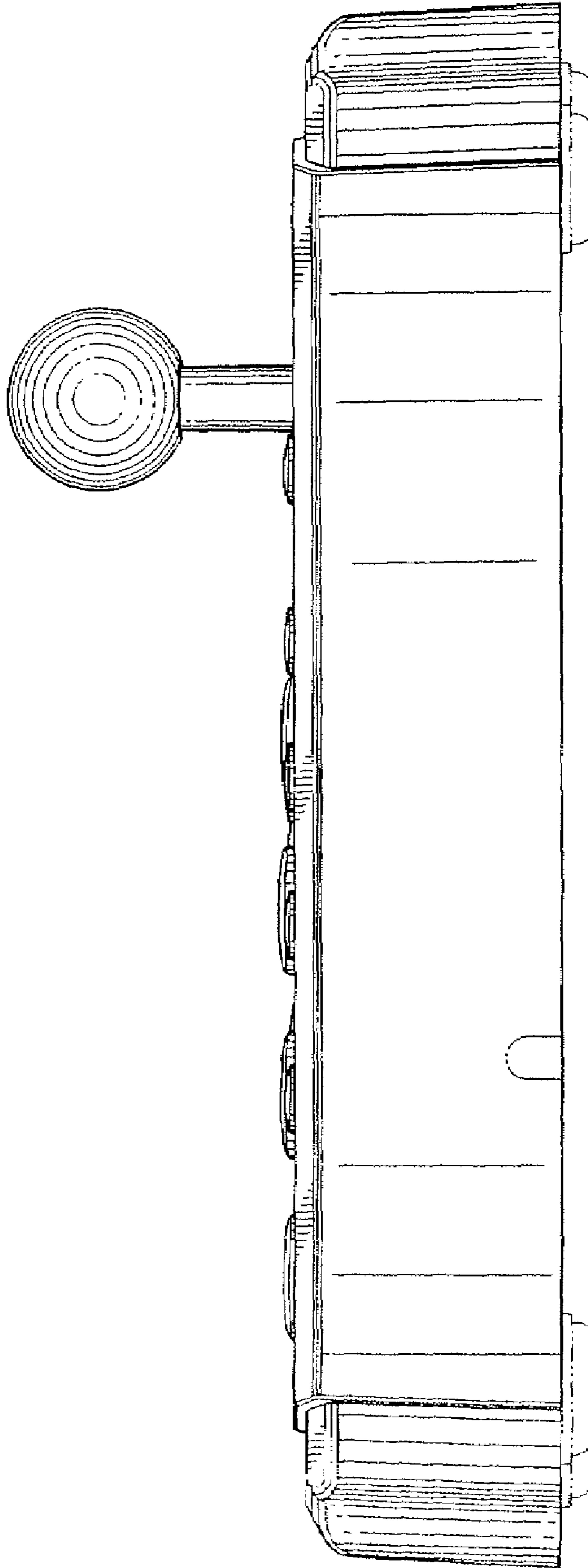
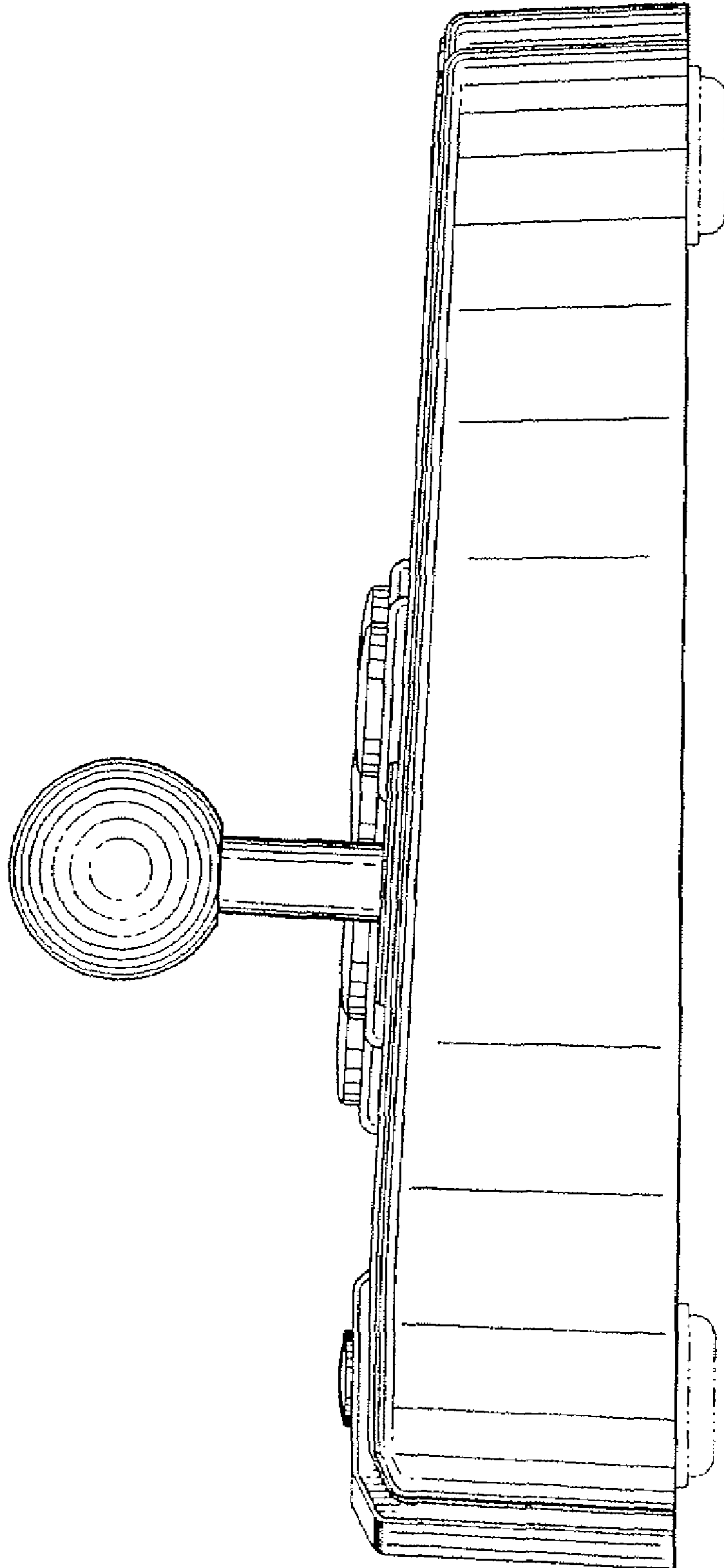


FIG. 5

FIG. 6



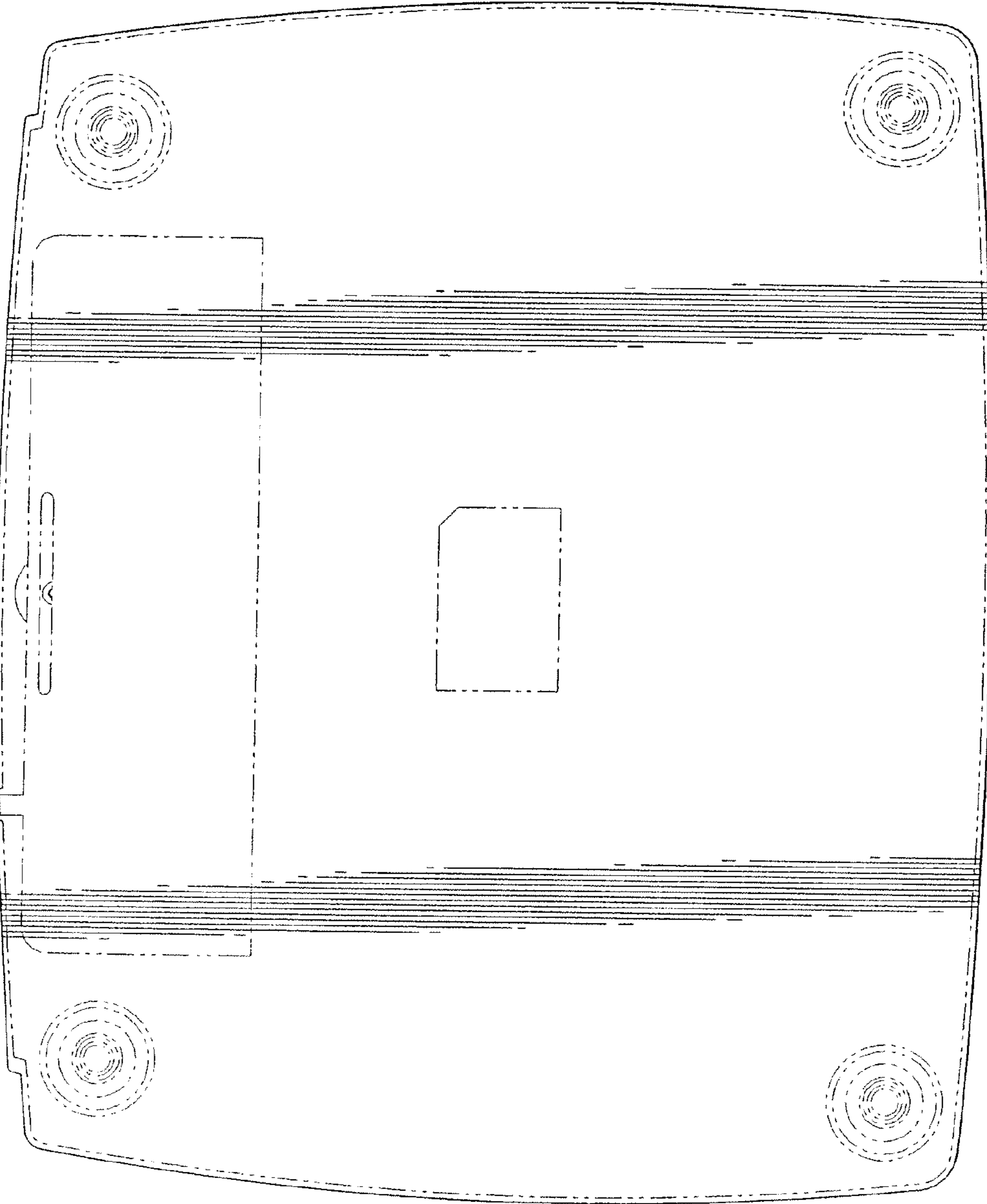


FIG. 7