



US00D618285S

(12) **United States Design Patent**
Ichimura et al.

(10) **Patent No.:** **US D618,285 S**
(45) **Date of Patent:** **** Jun. 22, 2010**

(54) **ARCADE GAME MACHINE**

(75) Inventors: **Ryutaro Ichimura**, Kanagawa (JP);
Kaito Yamaguchi, Tokyo (JP); **Naoki Yoshida**, Saitama (JP); **Takeshi Fujikawa**, Kanagawa (JP); **Shigeyasu Tsuna**, Kanagawa (JP)

(73) Assignee: **Kabushiki Kaisha Square Enix**, Tokyo (JP)

(**) Term: **14 Years**

(21) Appl. No.: **29/329,603**

(22) Filed: **Dec. 18, 2008**

(30) **Foreign Application Priority Data**

Jun. 26, 2008 (JP) 2008-016427

(51) **LOC (9) Cl.** **21-01**

(52) **U.S. Cl.** **D21/325; D21/333**

(58) **Field of Classification Search** D21/324-330,
D21/369-375, 333; 273/148 B, 148 A, 138.1,
273/139, 138.2, 148 R; 463/1, 7, 35-42,
463/46, 47; 345/905, 156

See application file for complete search history.

(56) **References Cited**

U.S. PATENT DOCUMENTS

4,643,421 A * 2/1987 Meyer et al. 463/1
D413,936 S * 9/1999 Uehara D21/327
D419,606 S * 1/2000 Toriyama D21/325
D435,068 S * 12/2000 Muraki et al. D21/325
D445,838 S * 7/2001 Ishii et al. D21/325
D463,502 S * 9/2002 Ishii et al. D21/325
6,461,239 B1 * 10/2002 Sagawa et al. 463/7
6,508,707 B2 * 1/2003 DeMar et al. 463/16
6,645,067 B1 * 11/2003 Okita et al. 463/7
D566,195 S 4/2008 Ichimura et al.
D573,658 S * 7/2008 Ichimura et al. D21/325

OTHER PUBLICATIONS

U.S. Appl. No. 29/329,600 to Ichimura et al., filed Dec. 18, 2008.

* cited by examiner

Primary Examiner—Prabhakar Deshmukh

(74) *Attorney, Agent, or Firm*—Greenblum & Bernstein P.L.C.

(57) **CLAIM**

The ornamental design for an arcade game machine, as shown and described.

DESCRIPTION

FIG. 1 is a front view of an arcade game machine showing our new design;

FIG. 2 is a rear view thereof;

FIG. 3 is a top plan view thereof;

FIG. 4 is a bottom plan view thereof;

FIG. 5 is a right side view thereof;

FIG. 6 is a left side view thereof;

FIG. 7 is a perspective view thereof;

FIG. 8 is a perspective view thereof, with the sword-shaped controller shown in upward position;

FIG. 9 is another perspective view thereof, with the sword-shaped controller rotated in an alternate position;

FIG. 10 is an enlarged front view thereof, showing the sword-shaped controller;

FIG. 11 is an enlarged rear view thereof, showing the sword-shaped controller;

FIG. 12 is an enlarged top plan view thereof, showing the sword-shaped controller;

FIG. 13 is an enlarged bottom plan view thereof, showing the sword-shaped controller;

FIG. 14 is an enlarged right side view thereof, showing the sword-shaped controller;

FIG. 15 is an enlarged left side view thereof, showing the sword-shaped controller; and,

FIG. 16 is an enlarged perspective view thereof, showing the sword-shaped controller.

The broken lines disclose unclaimed portions of the design and form no part of the claimed design.

1 Claim, 16 Drawing Sheets

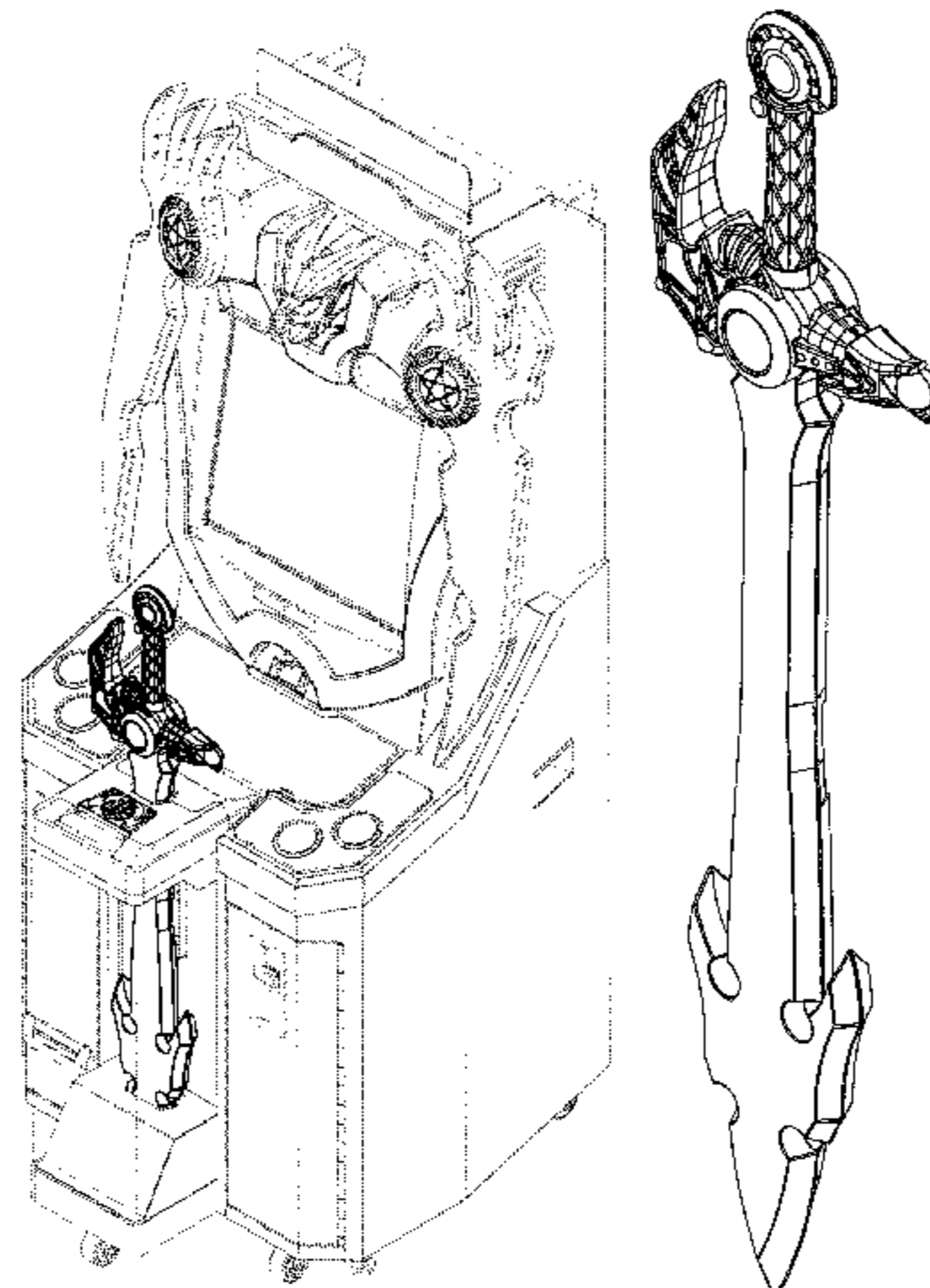


FIG. 1

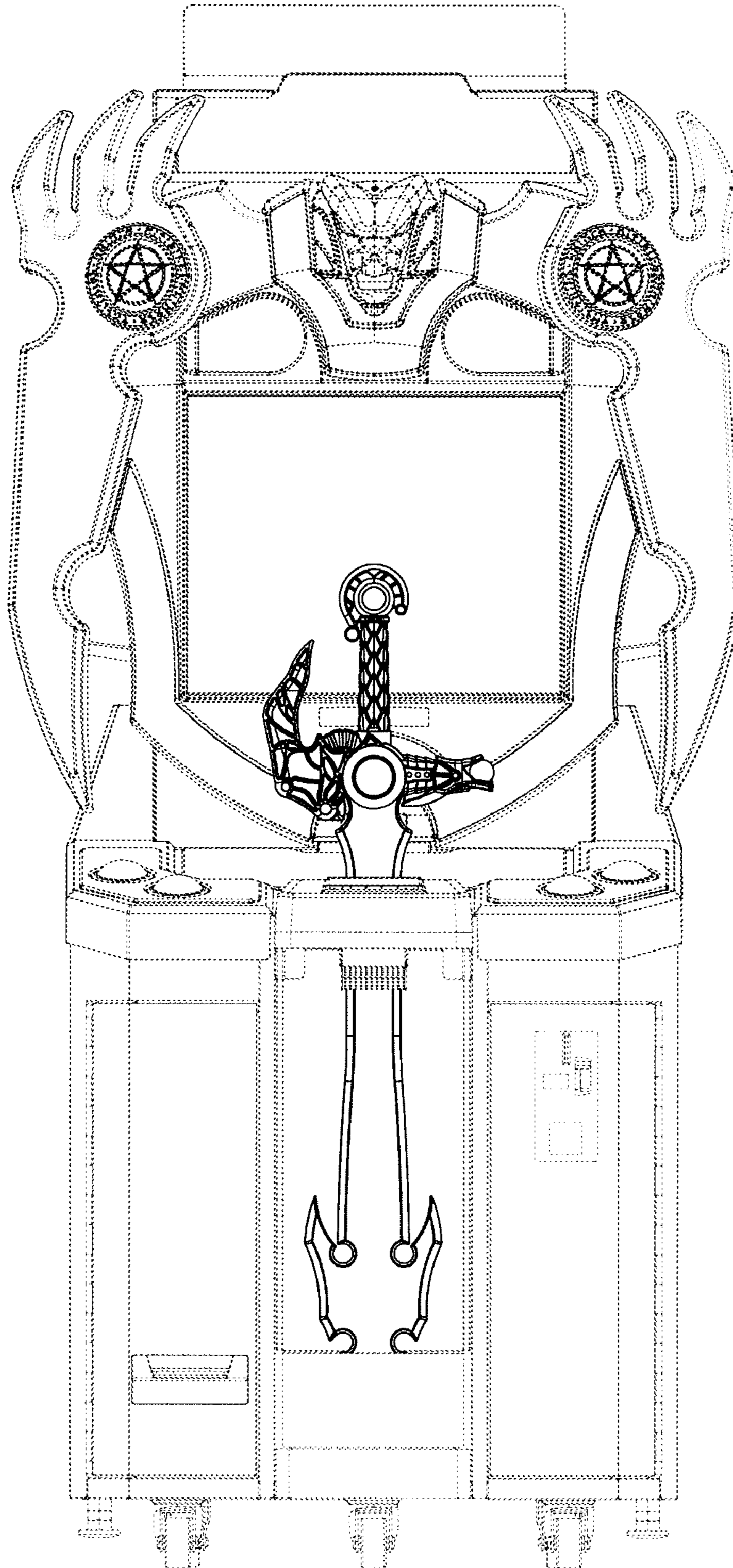


FIG.2

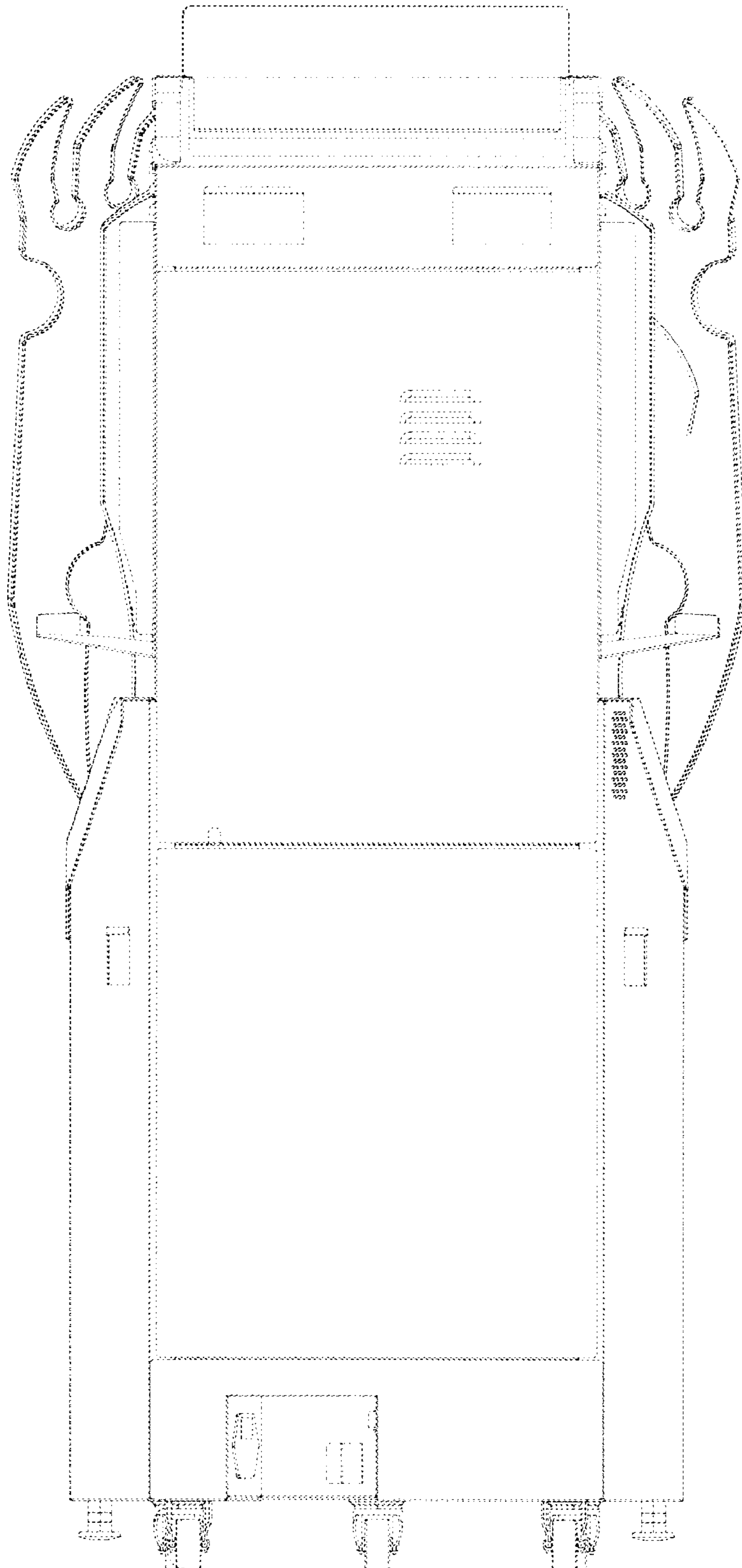


FIG.3

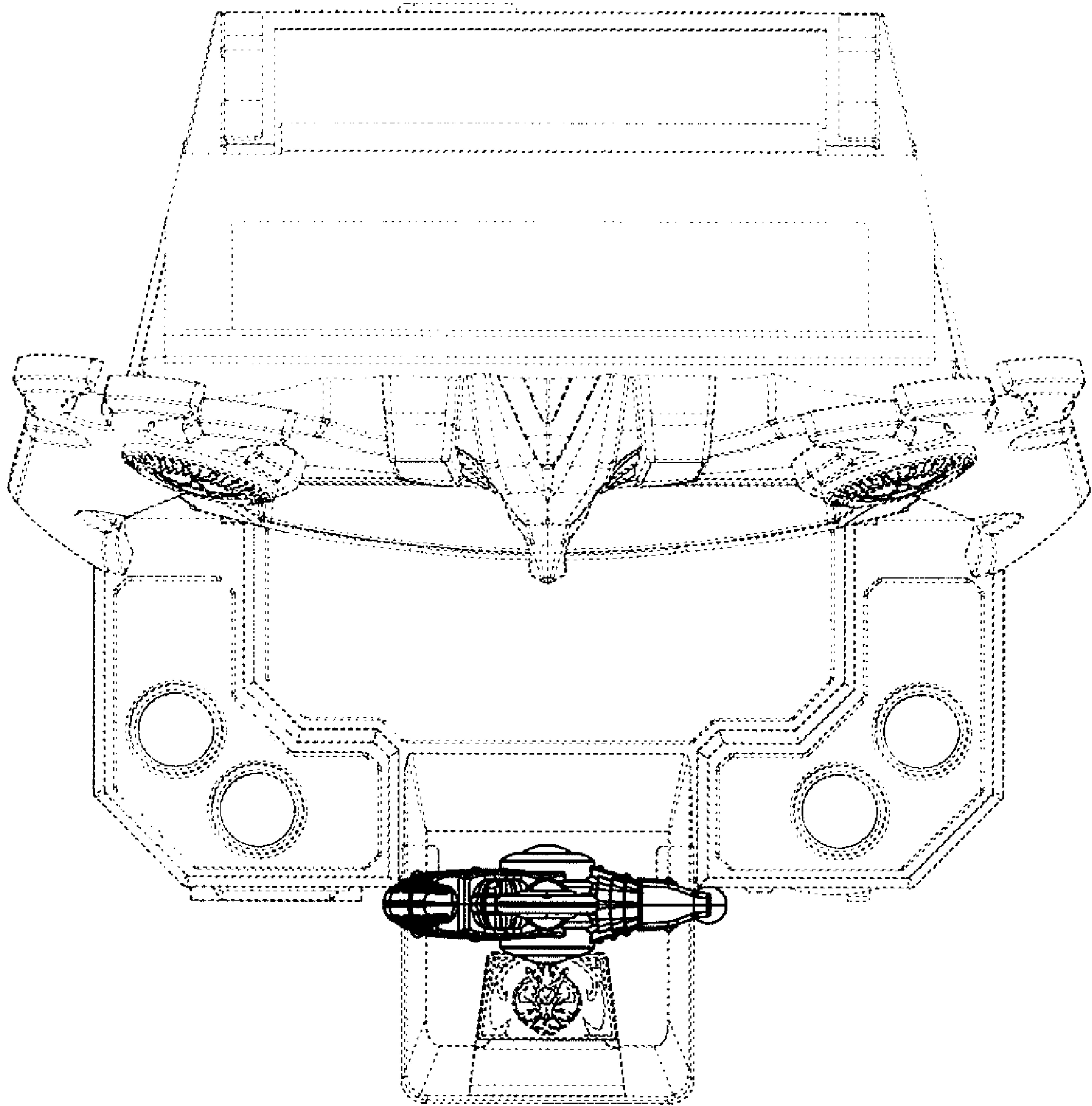


FIG.4

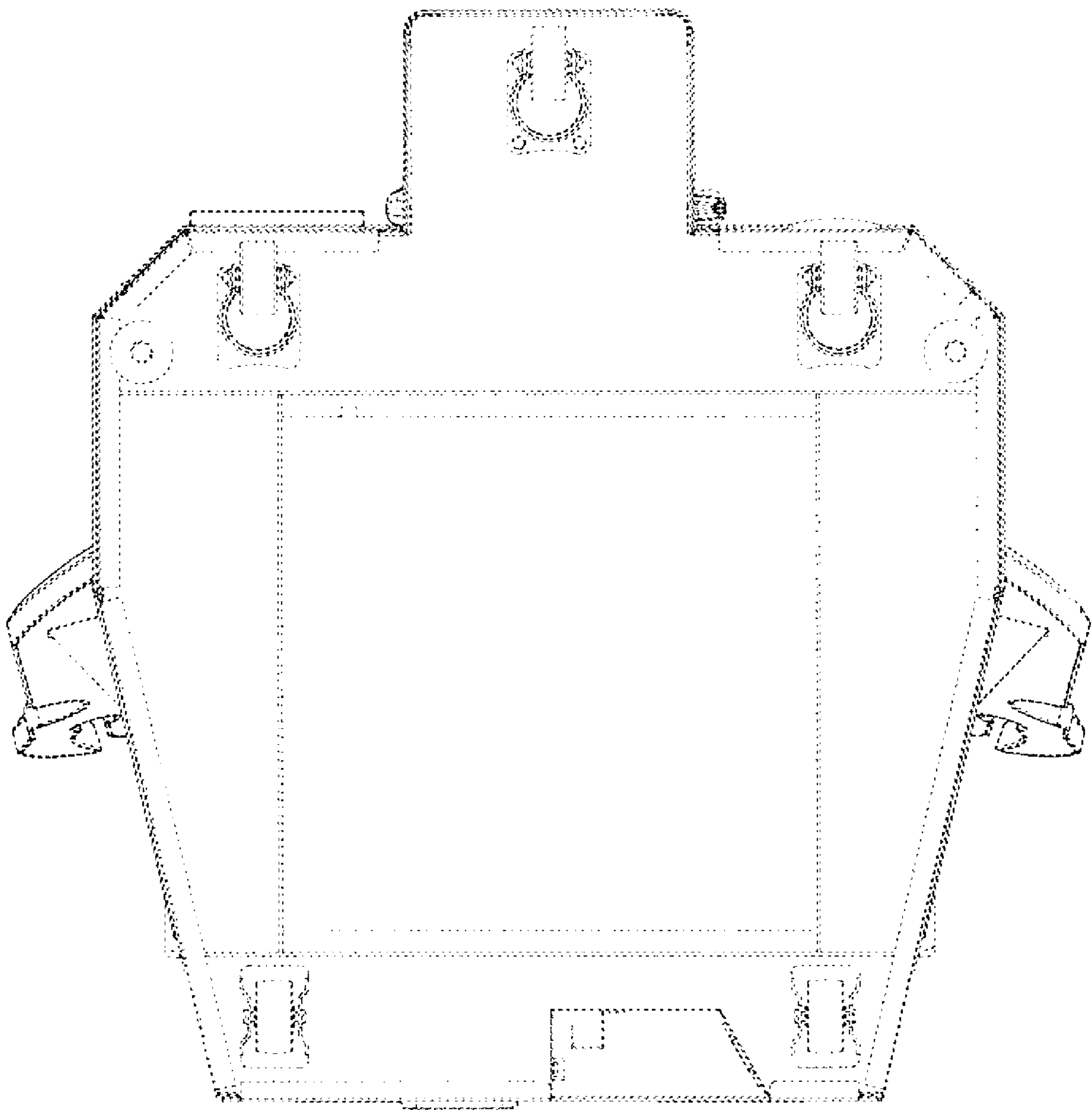


FIG.5

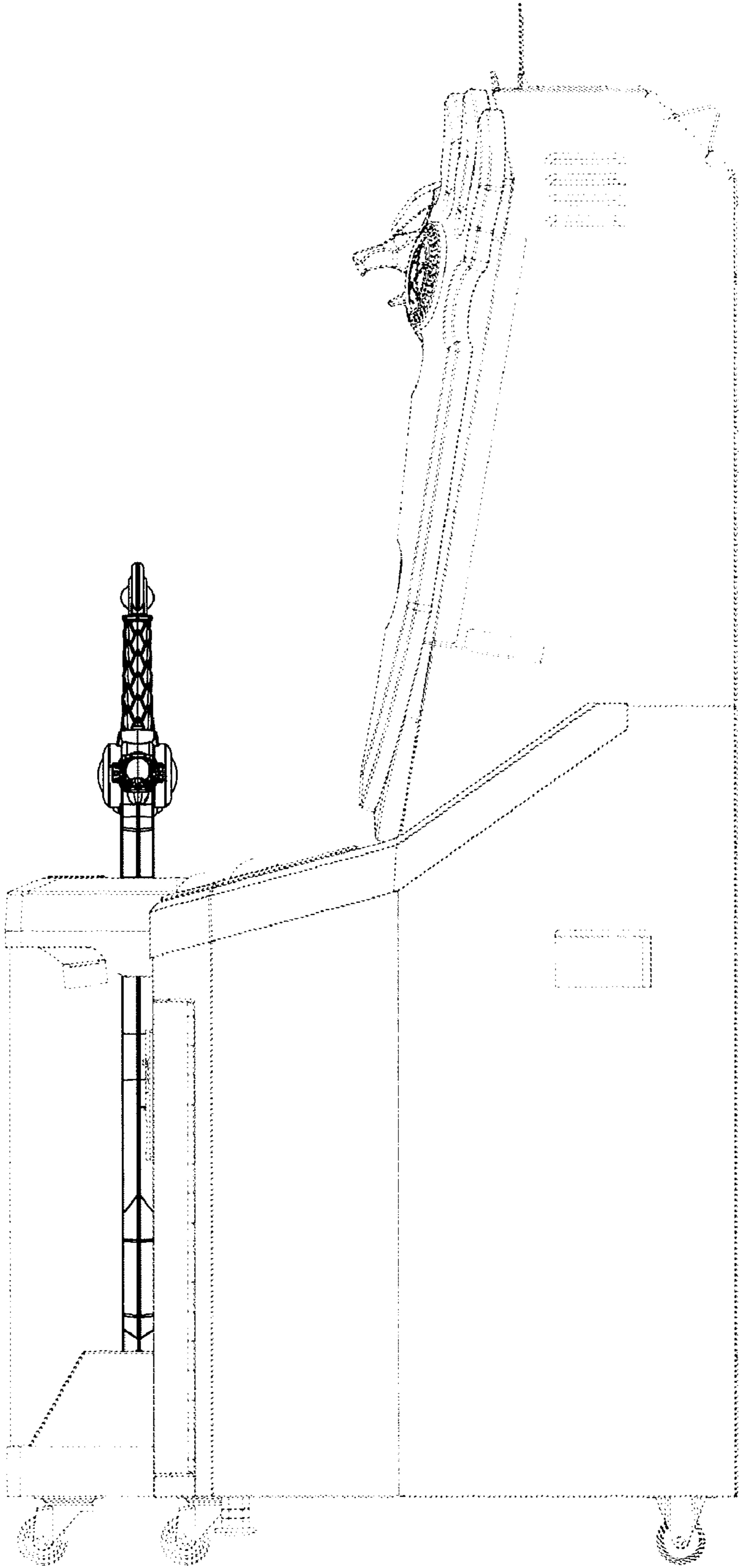


FIG.6

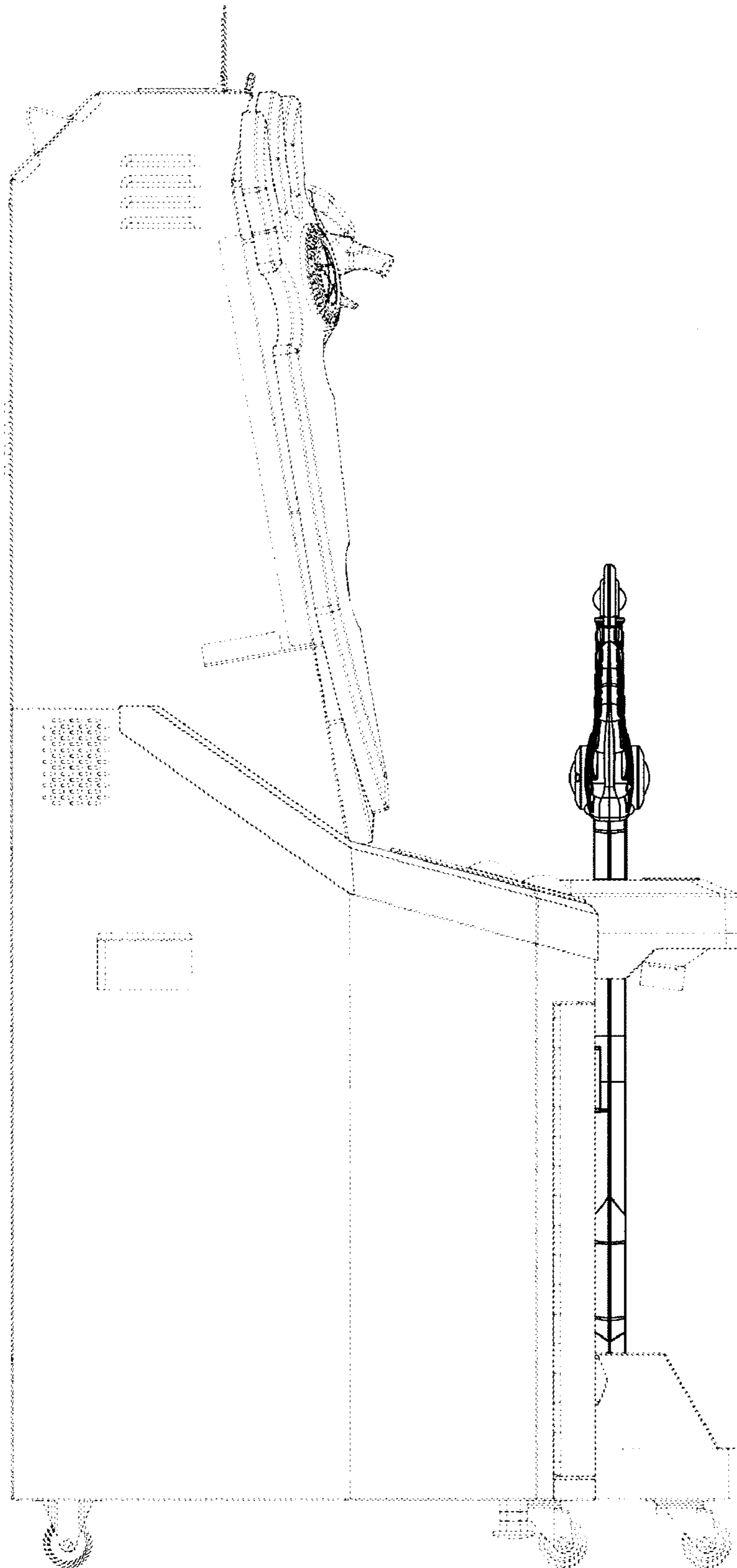


FIG. 7

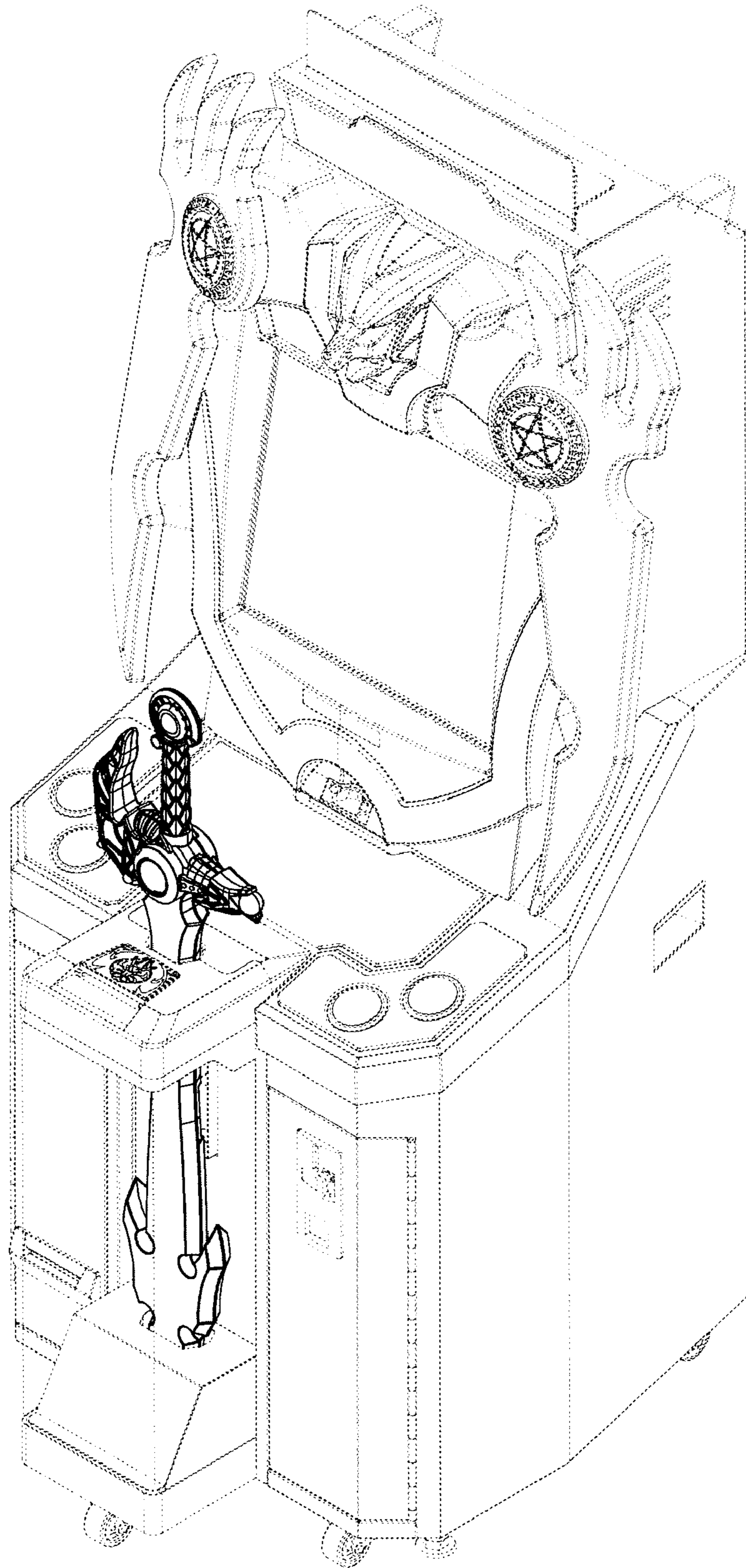


FIG.8

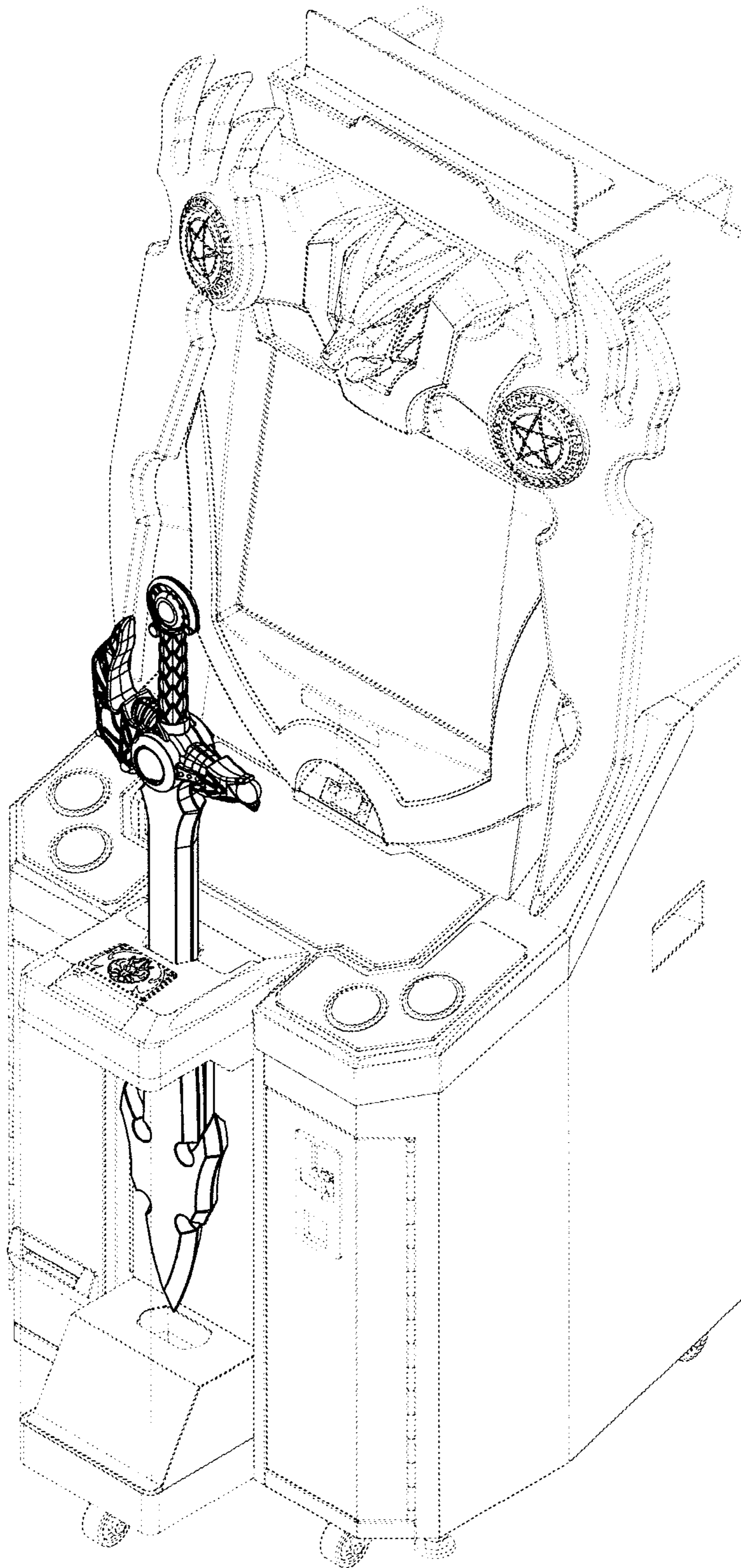
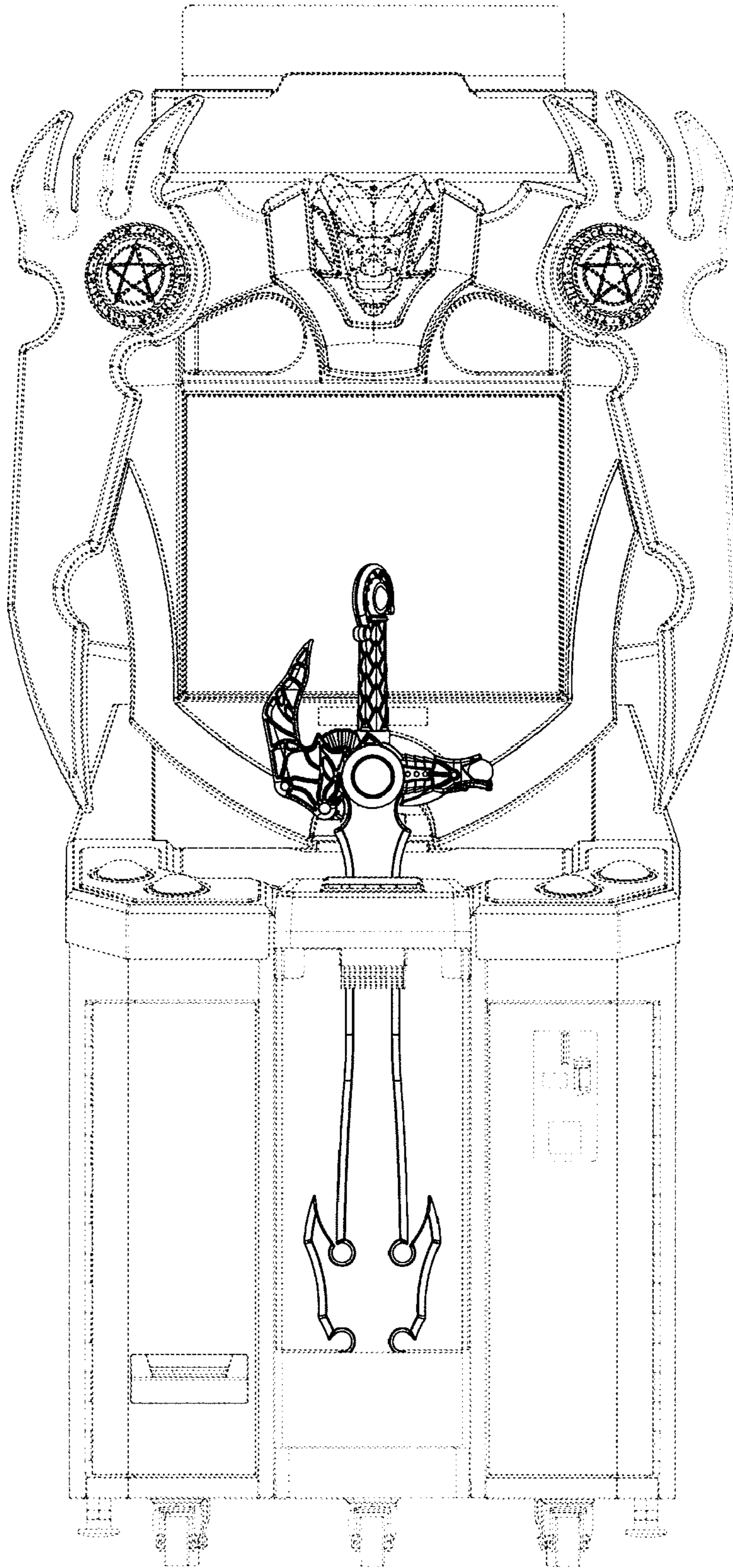


FIG.9



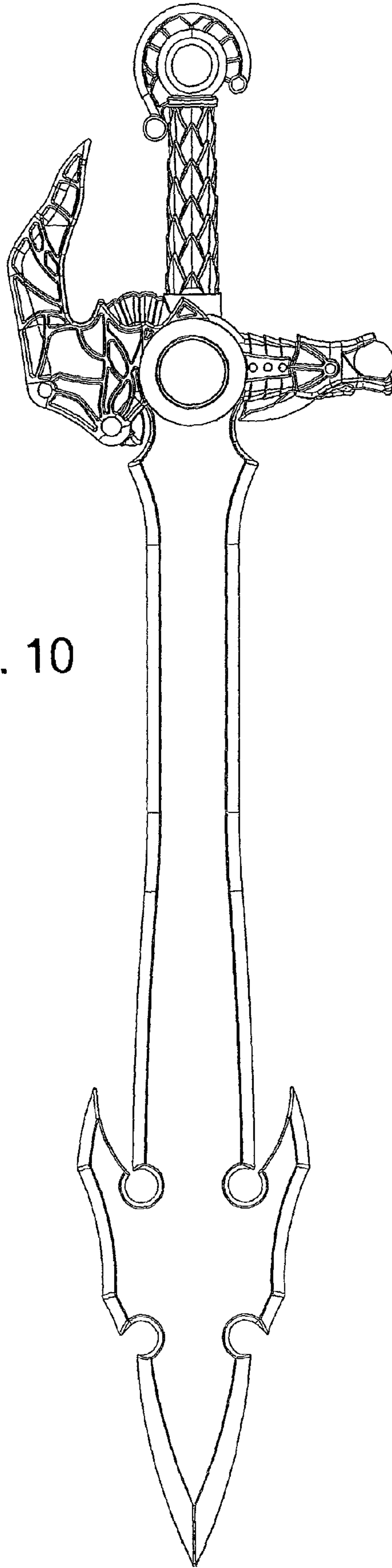


FIG. 10

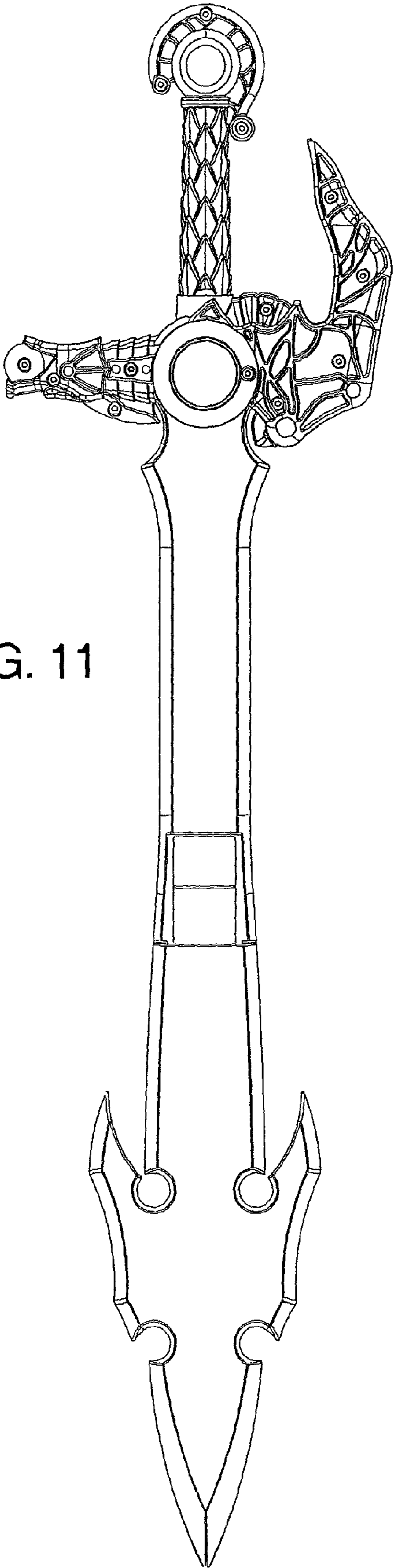


FIG. 11

FIG. 12

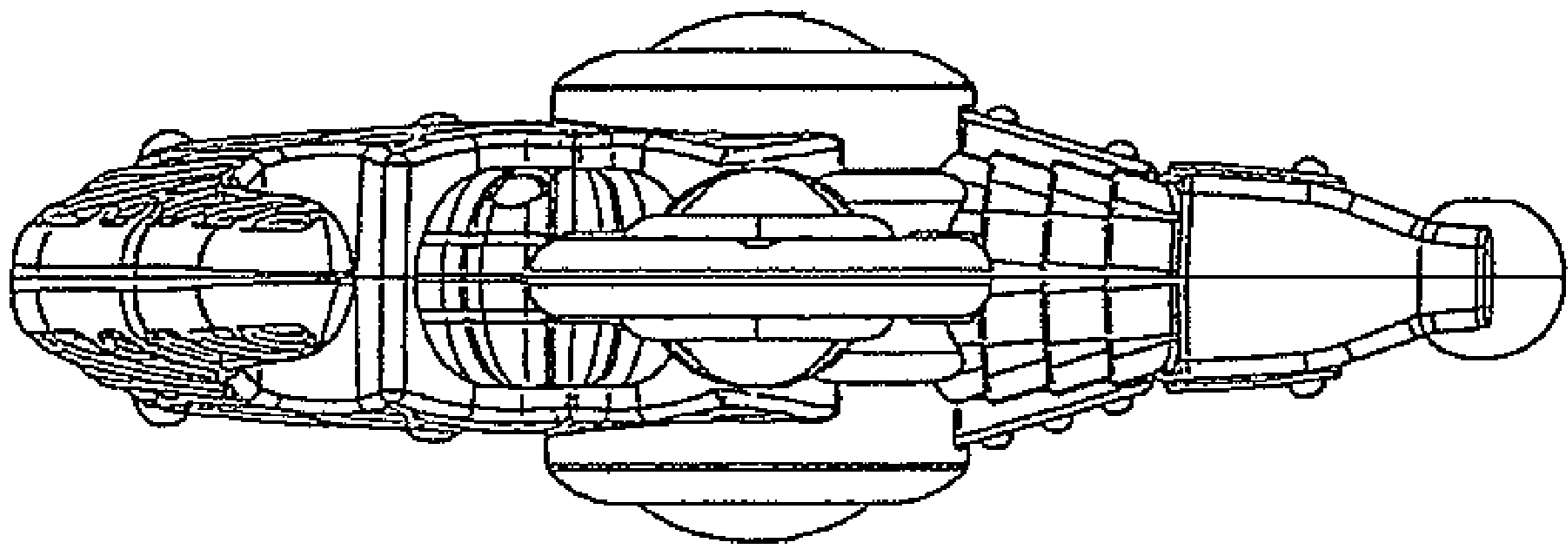
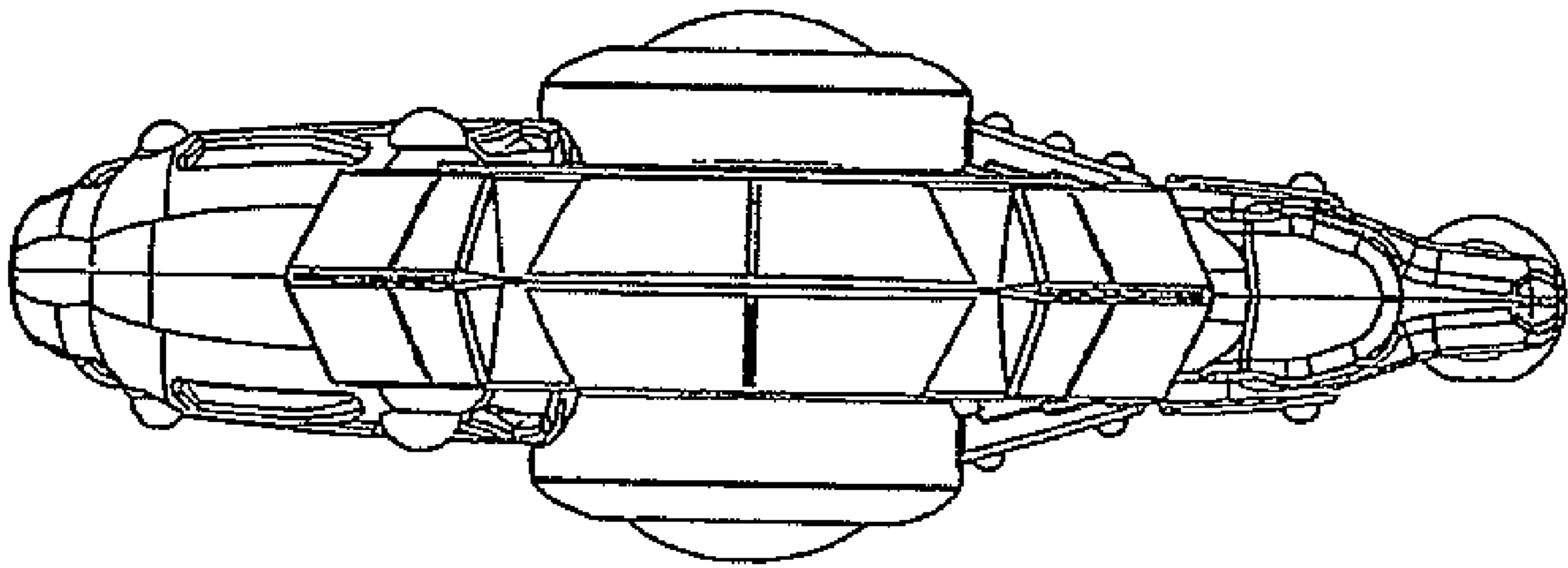


FIG. 13



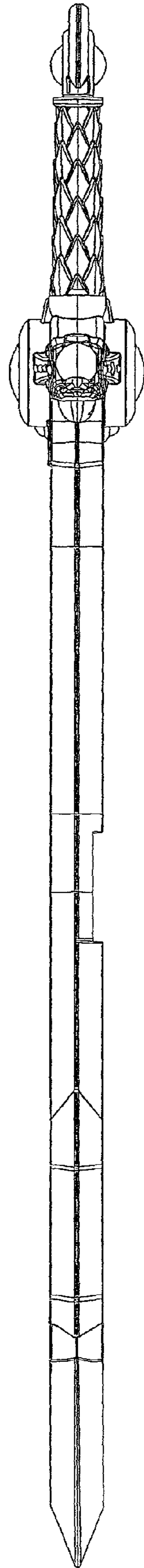


FIG. 14

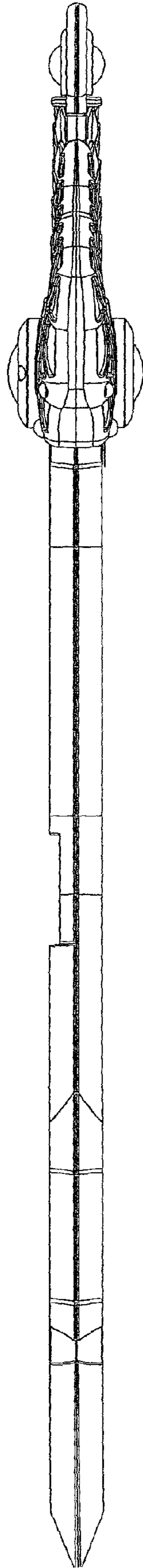


FIG. 15

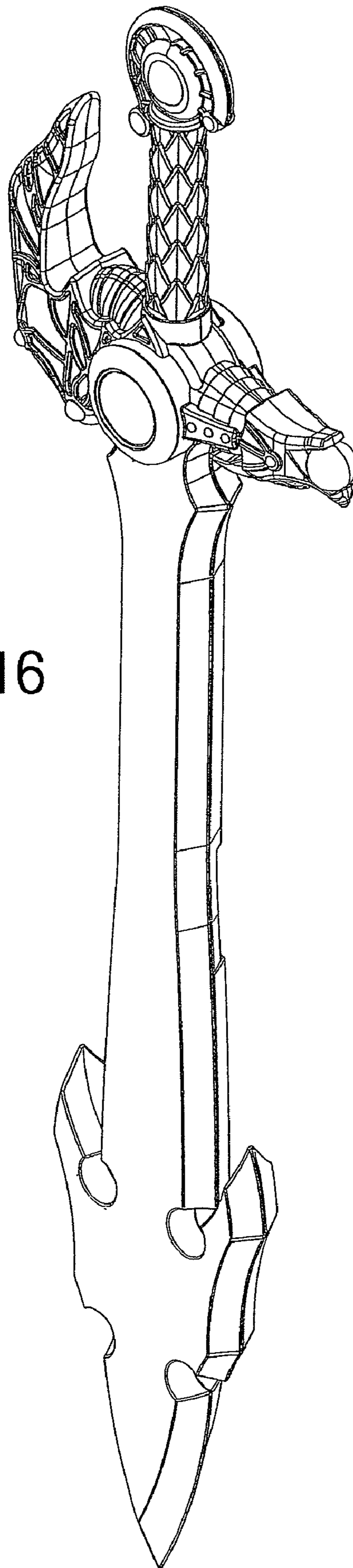


FIG. 16