



US00D618284S

(12) **United States Design Patent**
Ichimura et al.

(10) **Patent No.:** **US D618,284 S**
(45) **Date of Patent:** **** Jun. 22, 2010**

(54) **ARCADE GAME MACHINE**

(75) Inventors: **Ryutaro Ichimura**, Kanagawa (JP);
Kaito Yamaguchi, Tokyo (JP); **Naoki Yoshida**, Saitama (JP); **Takeshi Fujikawa**, Kanagawa (JP); **Toshinao Yoshihara**, Kanagawa (JP); **Seiji Kato**, Kanagawa (JP); **Shigeyasu Tsuna**, Kanagawa (JP)

(73) Assignee: **Kabushiki Kaisha Square Enix**, Tokyo (JP)

(**) Term: **14 Years**

(21) Appl. No.: **29/329,600**

(22) Filed: **Dec. 18, 2008**

(30) **Foreign Application Priority Data**

Jun. 26, 2008 (JP) 2008-016426

(51) **LOC (9) Cl.** **21-01**

(52) **U.S. Cl.** **D21/325**

(58) **Field of Classification Search** D21/324-330,
D21/369-375, 333; 273/148 B, 148 A, 138.1,
273/139, 138.2, 148 R; 463/1, 7, 35-42,
463/46, 47; 345/905, 156

See application file for complete search history.

(56) **References Cited**

U.S. PATENT DOCUMENTS

4,643,421 A * 2/1987 Meyer et al. 463/1
D413,936 S * 9/1999 Uehara D21/327
D419,606 S * 1/2000 Toriyama D21/325
D435,068 S * 12/2000 Muraki et al. D21/325
D445,838 S * 7/2001 Ishii et al. D21/325
D463,502 S * 9/2002 Ishii et al. D21/325
6,461,239 B1 * 10/2002 Sagawa et al. 463/7

6,508,707 B2 * 1/2003 DeMar et al. 463/16
6,645,067 B1 * 11/2003 Okita et al. 463/7
D566,195 S 4/2008 Ichimura et al.
D573,658 S * 7/2008 Ichimura et al. D21/325

OTHER PUBLICATIONS

U.S. Appl. No. 29/329,603 to Ichimura et al., filed Dec. 18, 2008.

* cited by examiner

Primary Examiner—Prabhakar Deshmukh

(74) *Attorney, Agent, or Firm*—Greenblum & Bernstein P.L.C.

(57) **CLAIM**

The ornamental design for an arcade game machine, as shown and described.

DESCRIPTION

FIG. 1 is a front view of an arcade game machine showing our new design;

FIG. 2 is a rear view thereof;

FIG. 3 is a top plan view thereof;

FIG. 4 is a bottom plan view thereof;

FIG. 5 is a right side view thereof;

FIG. 6 is a left side view thereof;

FIG. 7 is a perspective view thereof;

FIG. 8 is a perspective view thereof, with the sword-shaped controller shown in upward position;

FIG. 9 is another perspective view thereof, with the sword-shaped controller rotated in an alternate position; and,

FIG. 10 is a perspective view thereof, with the controller cover shown in alternate dark shaded transparent surface.

The broken lines disclose unclaimed portions of the design and form no part of the claimed design.

1 Claim, 10 Drawing Sheets

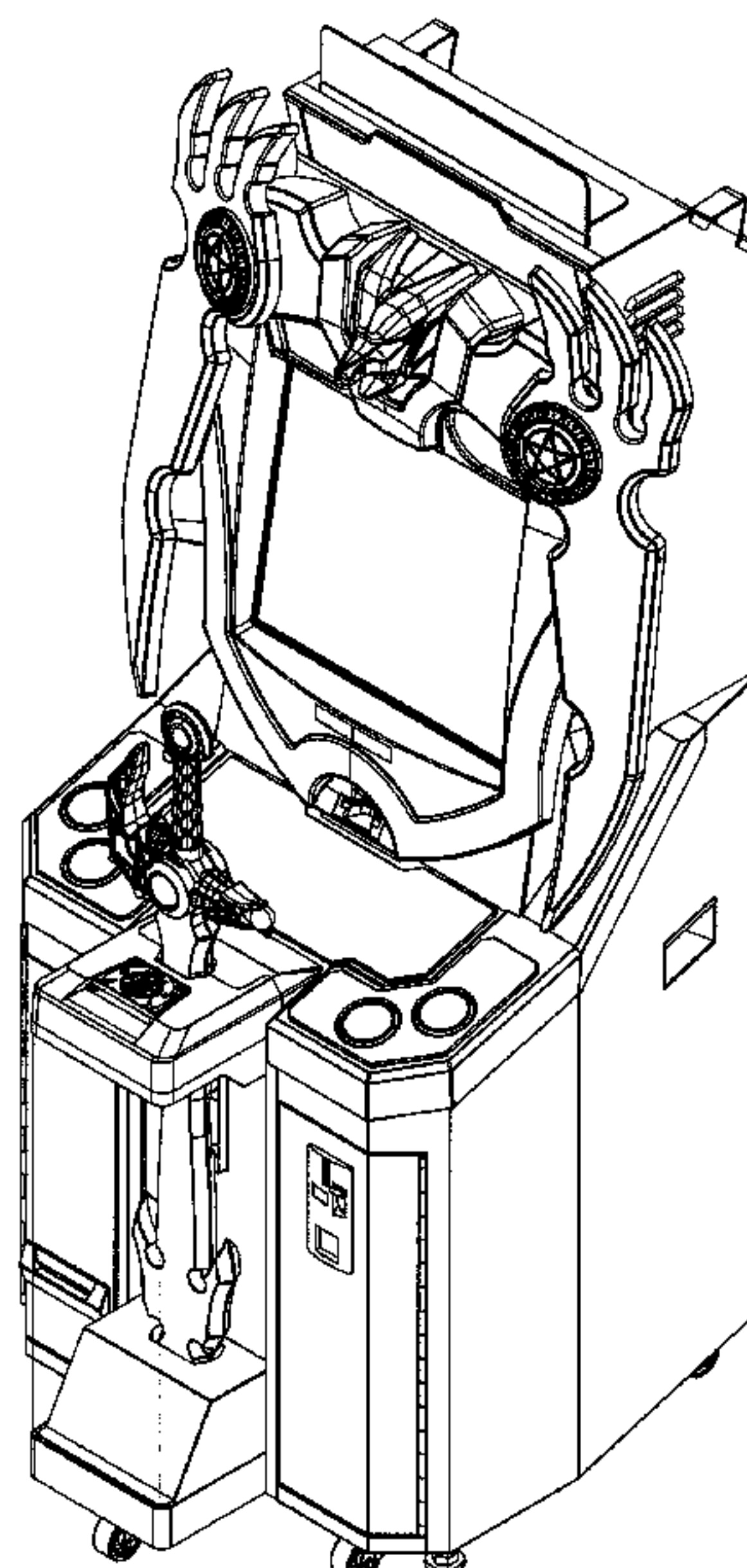


FIG. 1

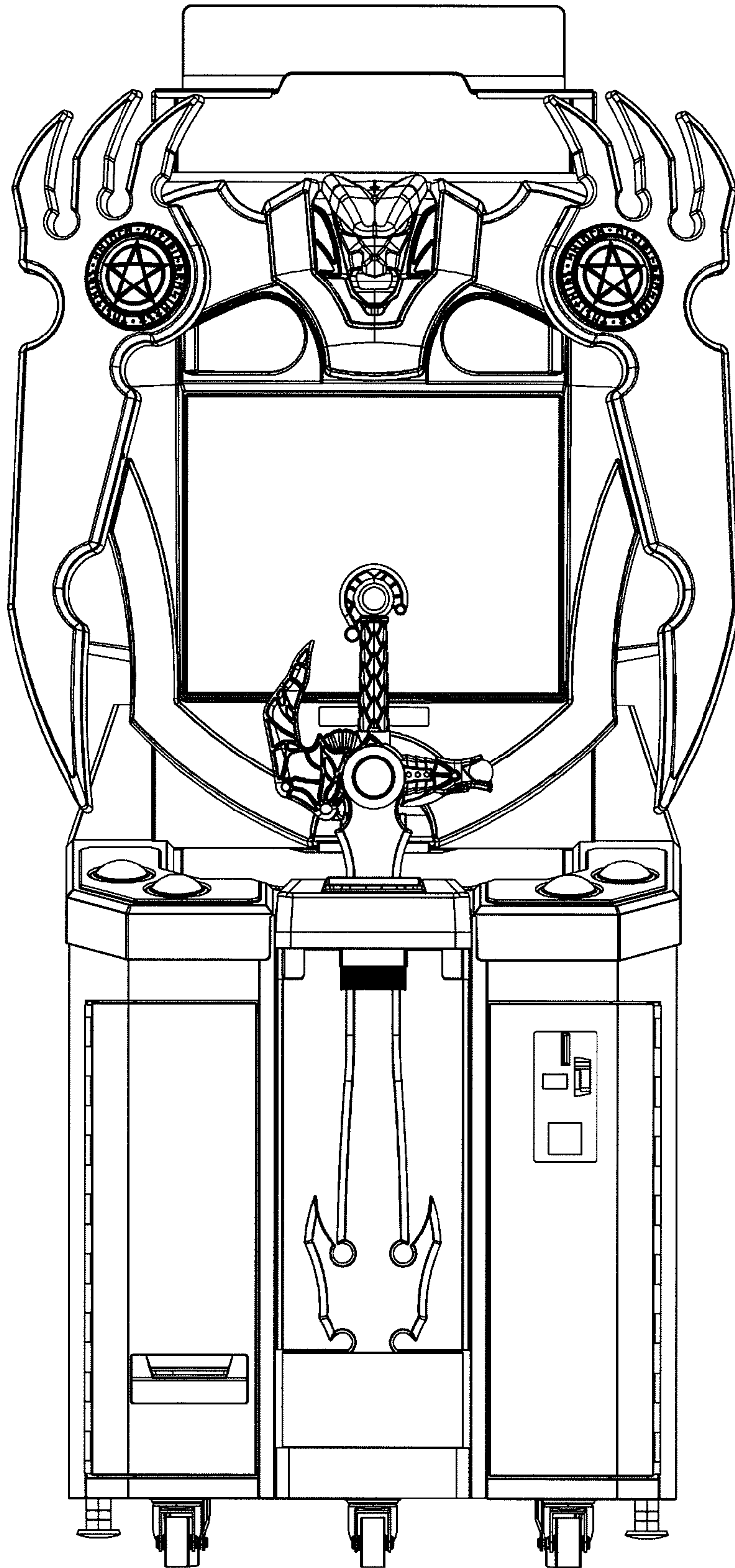


FIG.2

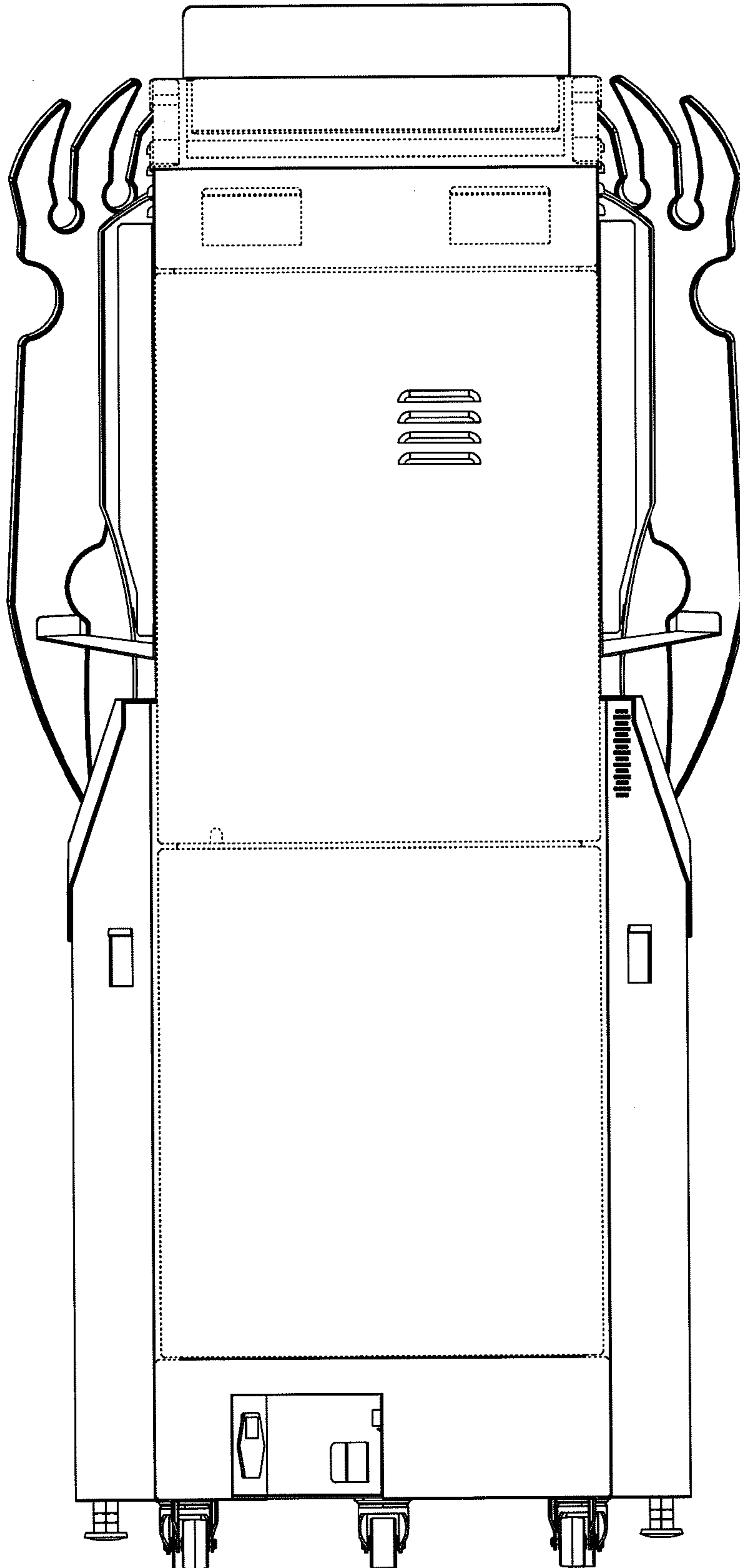


FIG.3

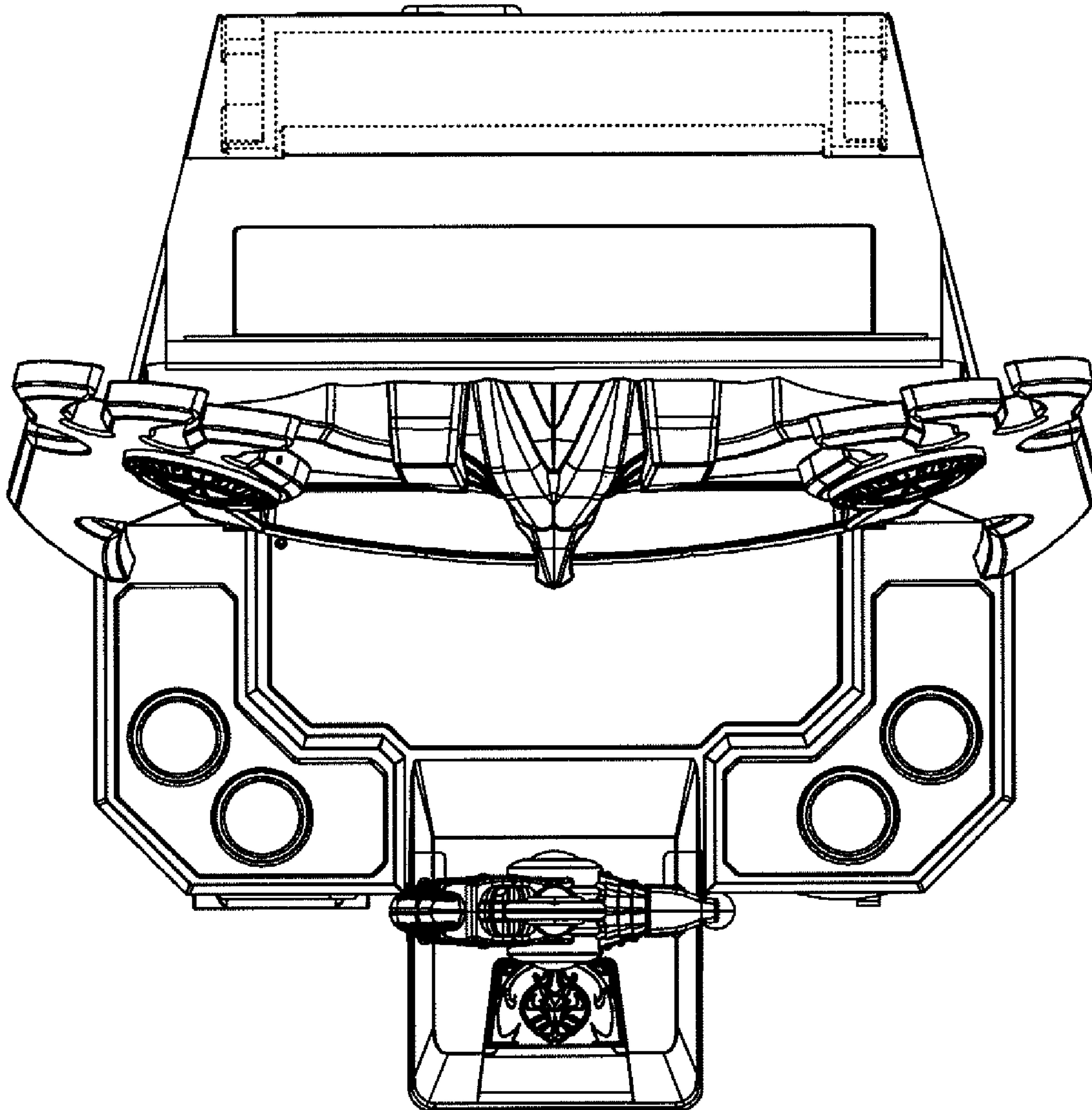


FIG.4

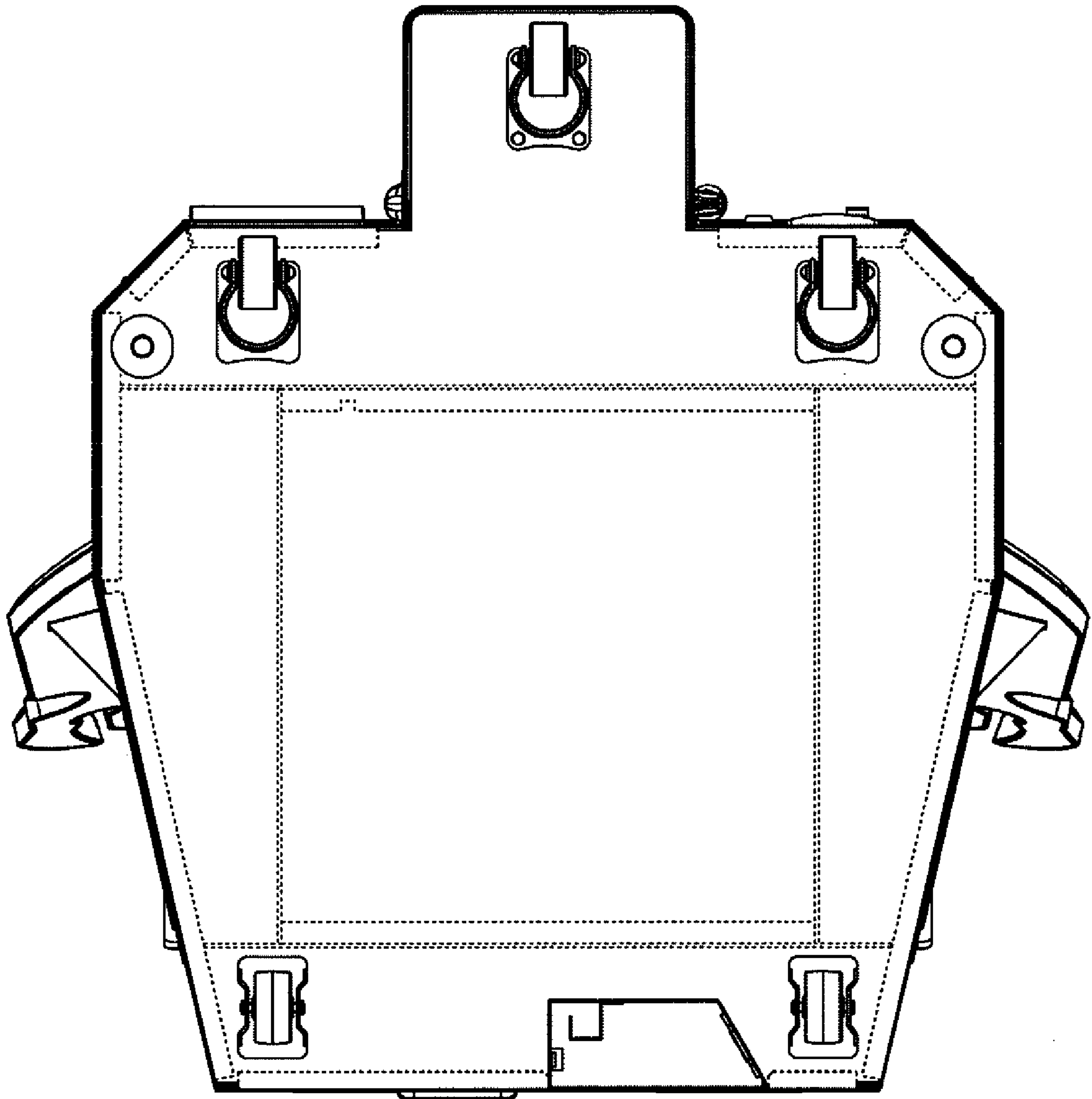


FIG.5

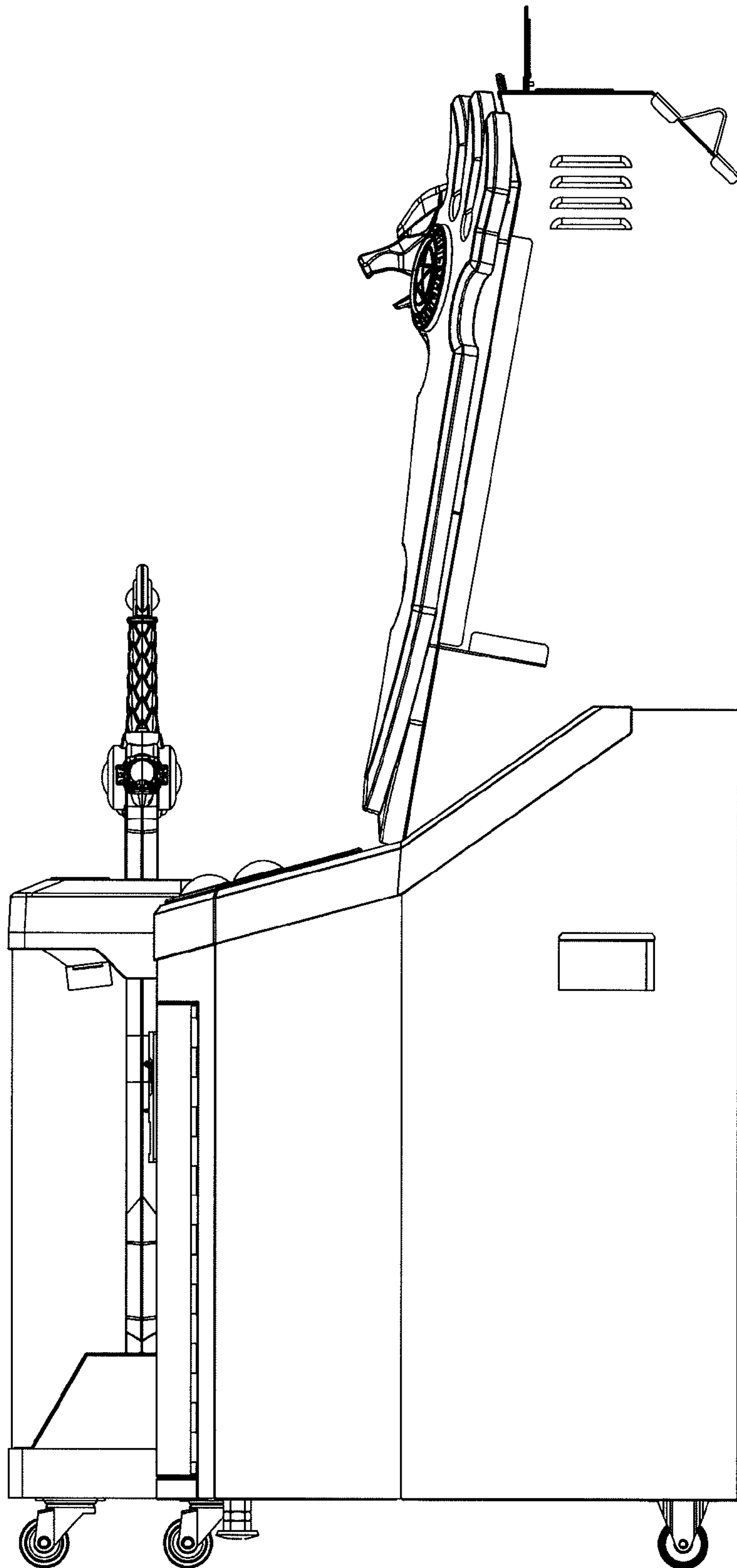


FIG.6

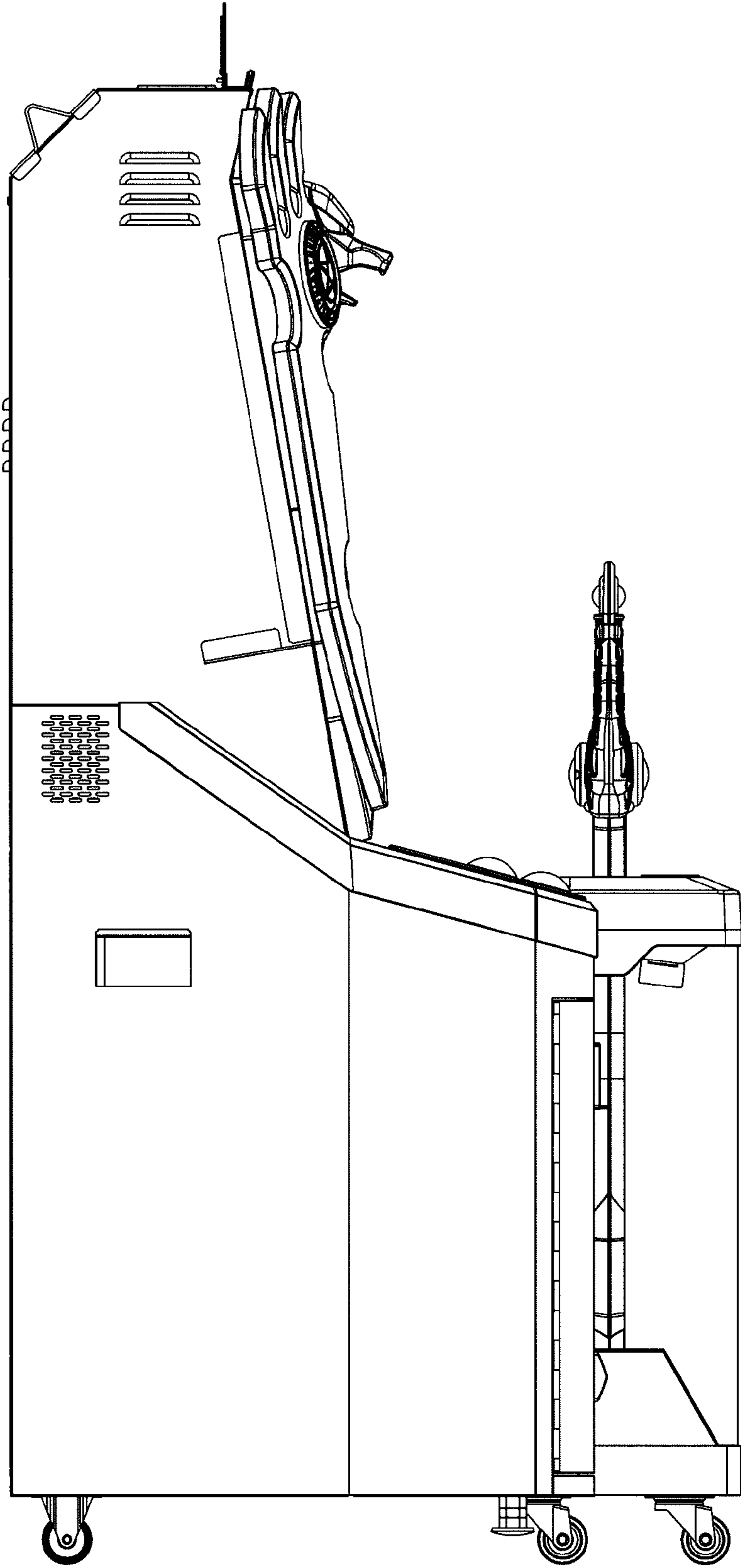


FIG.7

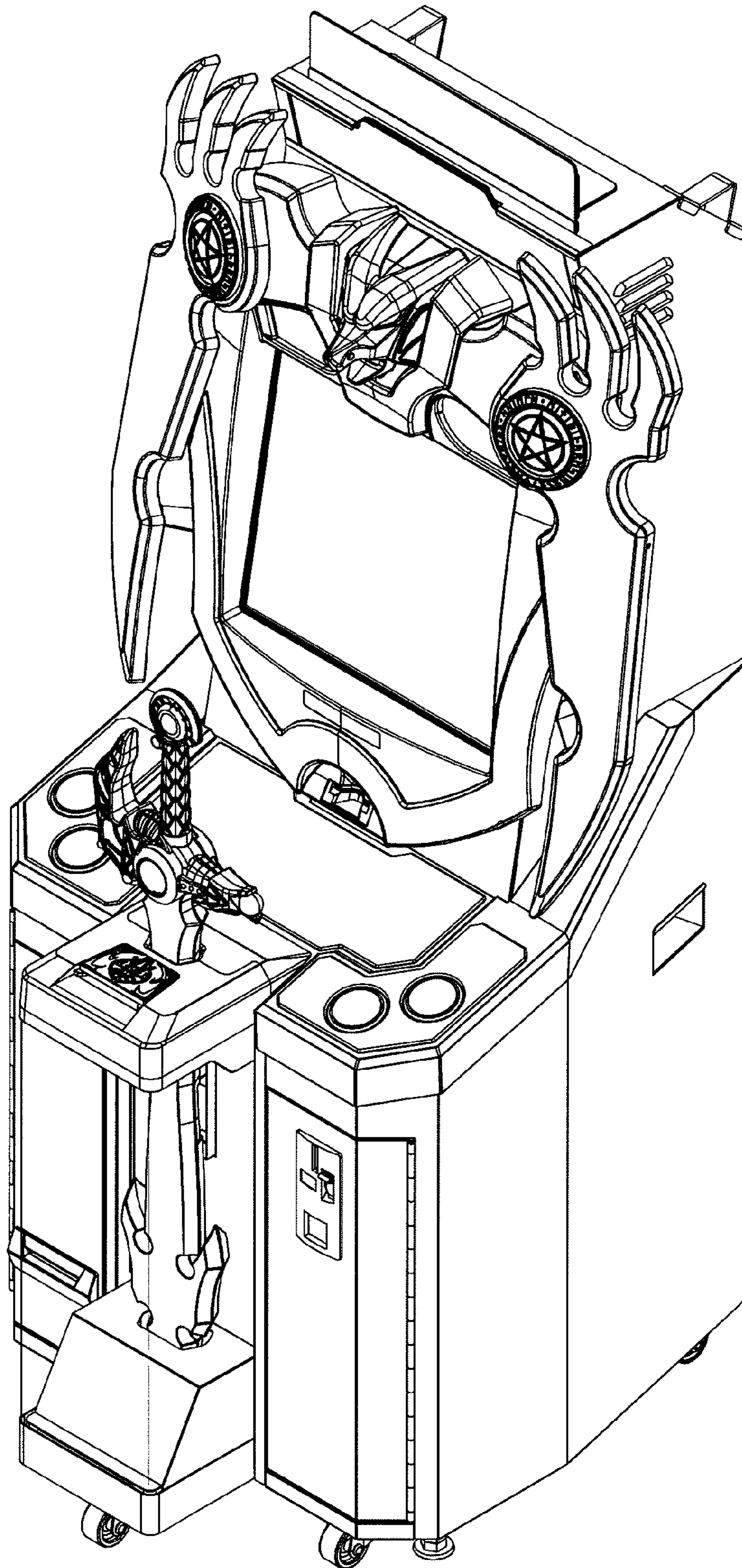


FIG.8

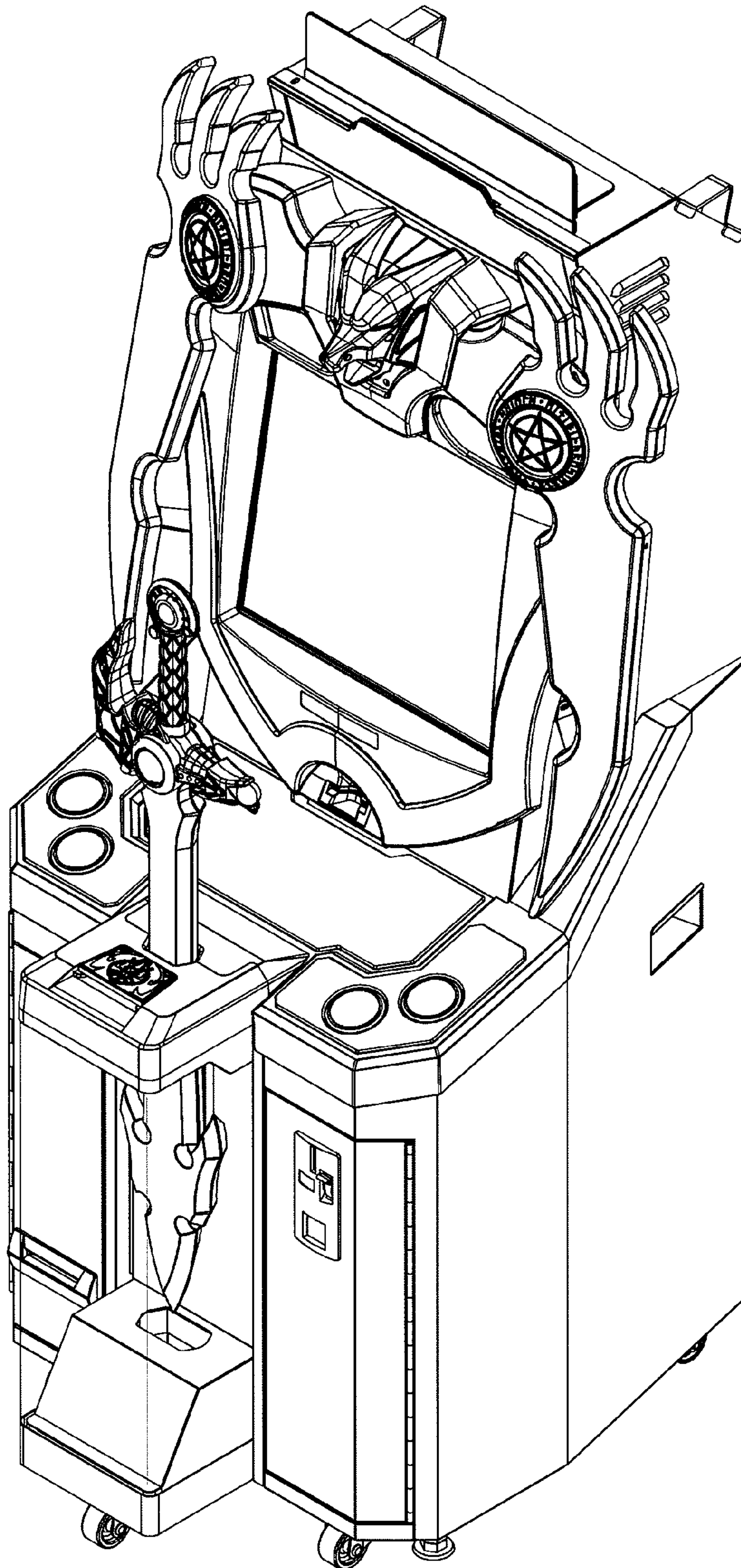


FIG.9

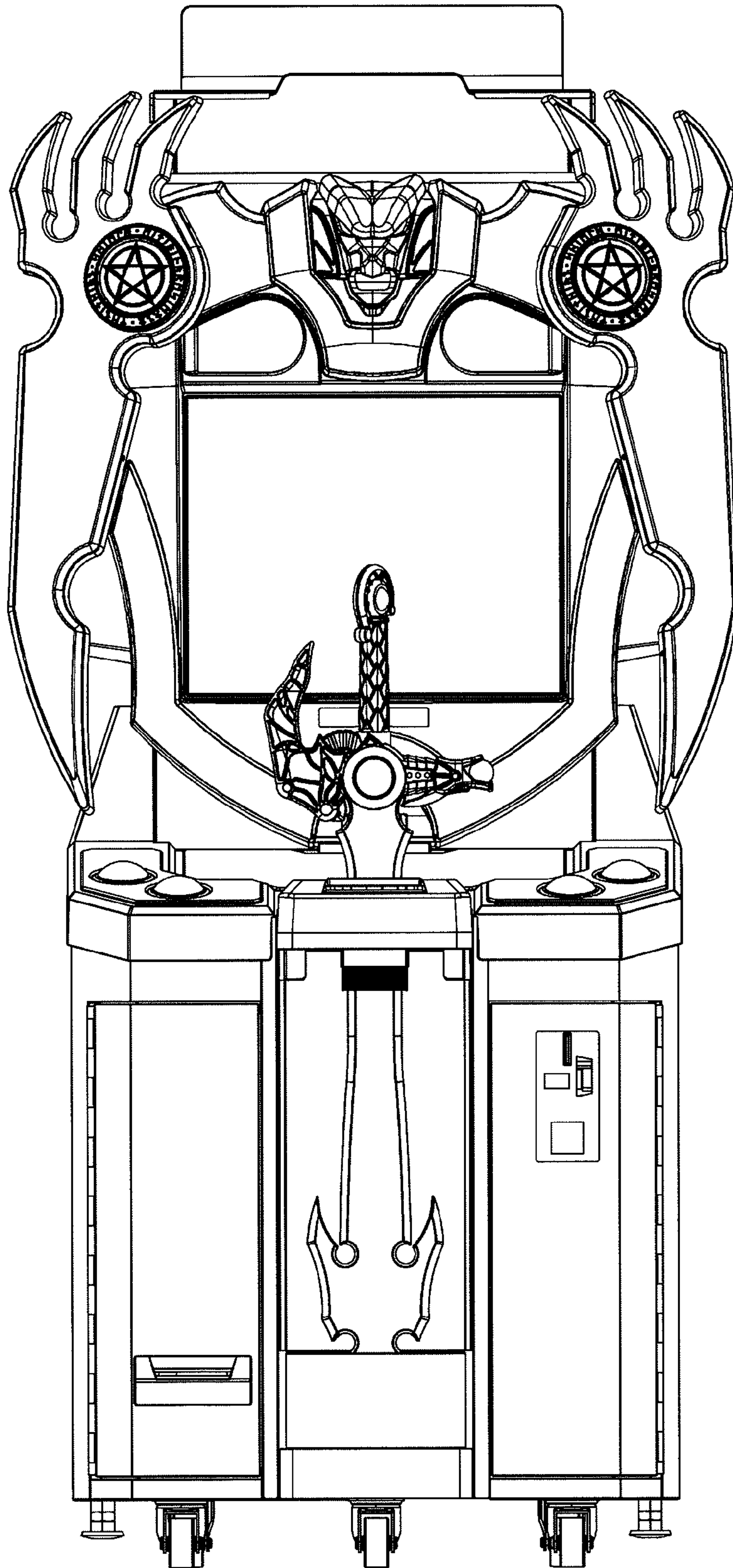


FIG.10

