



US00D618283S

(12) **United States Design Patent**  
**Hodge**

(10) **Patent No.:** **US D618,283 S**  
(45) **Date of Patent:** **\*\* Jun. 22, 2010**

(54) **TARGET**  
(75) Inventor: **Bruce Hodge**, Greenfield, NY (US)  
(73) Assignee: **Tech Valley Technologies, Inc.**, Ballston Spa, NY (US)  
(\*\*) Term: **14 Years**  
(21) Appl. No.: **29/321,857**  
(22) Filed: **Jul. 24, 2008**  
(51) **LOC (9) Cl.** ..... **21-01**  
(52) **U.S. Cl.** ..... **D21/302**  
(58) **Field of Classification Search** ..... D21/300–307,  
D21/385–387, 438; 273/348, 407, 390–393,  
273/409

See application file for complete search history.

(56) **References Cited**  
U.S. PATENT DOCUMENTS

3,536,232	A *	10/1970	Lightcap	.....	222/5
D275,409	S *	9/1984	Morrison et al.	.....	D21/303
4,629,188	A *	12/1986	Mahieu	.....	473/454
5,222,259	A *	6/1993	Bristor	.....	2/115
D341,629	S *	11/1993	Rippin	.....	D21/303
D349,928	S *	8/1994	Rippin	.....	D21/303
D430,221	S *	8/2000	Quintana	.....	D21/303
6,726,208	B2 *	4/2004	Wilkus	.....	273/407
D492,361	S *	6/2004	Adeclat	.....	D21/300
D539,373	S *	3/2007	Cook	.....	D21/781

2007/0235943 A1\* 10/2007 Bateman et al. .... 273/403

FOREIGN PATENT DOCUMENTS

WO WO2008/033839 A2 3/2008

OTHER PUBLICATIONS

Tech Valley Technologies—SRP Workshop 2007, debuts their Fat Ivan thermal target.

\* cited by examiner

Primary Examiner—Prabhakar Deshmukh

(74) Attorney, Agent, or Firm—Heslin Rothenberg Farley & Mesiti P.C.

(57) **CLAIM**

The ornamental design for a target, as shown and described.

**DESCRIPTION**

FIG. 1 is a front elevational view of a target in accordance with the new design;

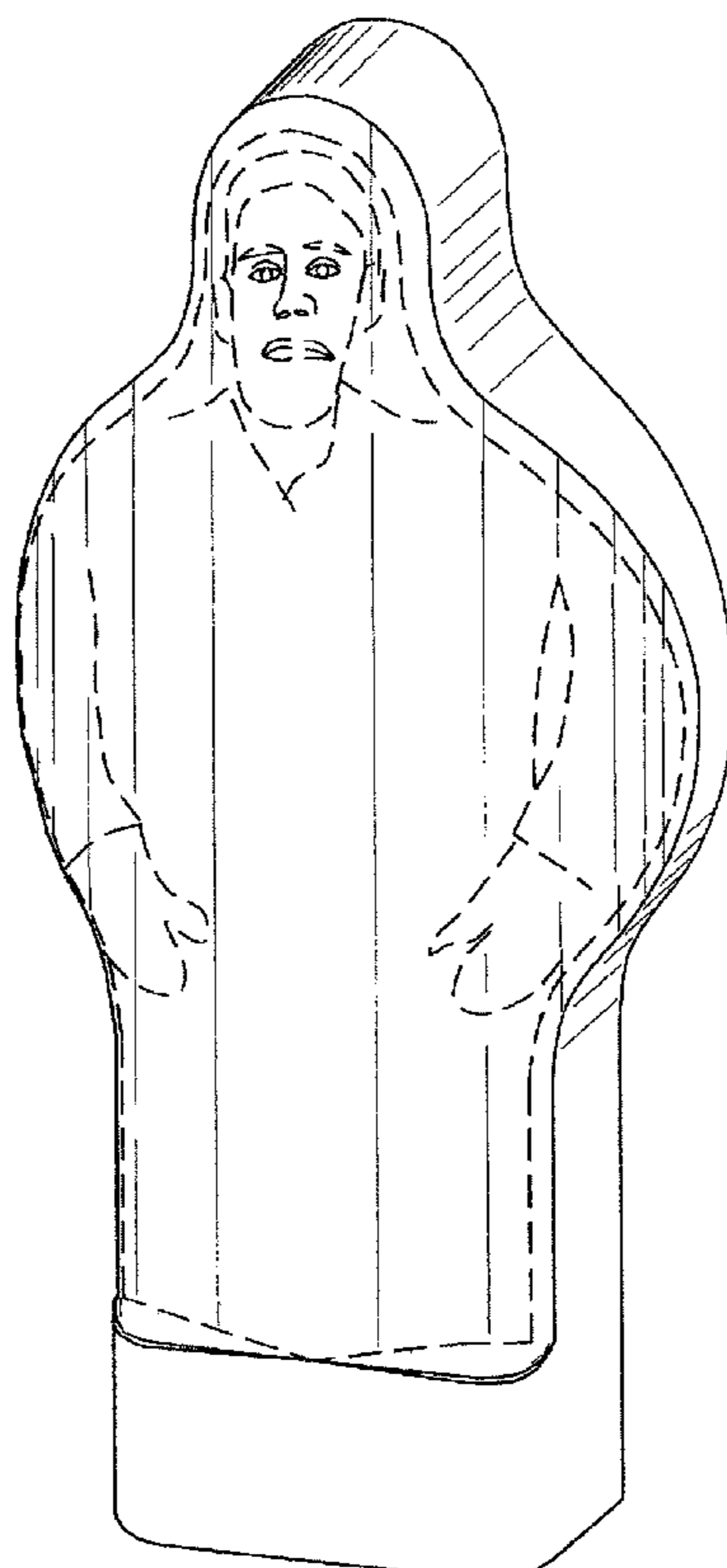
FIG. 2 is a right side perspective view thereof;

FIG. 3 is a left side perspective view thereof; and,

FIG. 4 is a top perspective view thereof.

The broken lines, which define the bounds of the claimed design, form no part thereof. The broken lines environment is for illustrative purposes only and forms no part of the claimed design.

**1 Claim, 4 Drawing Sheets**



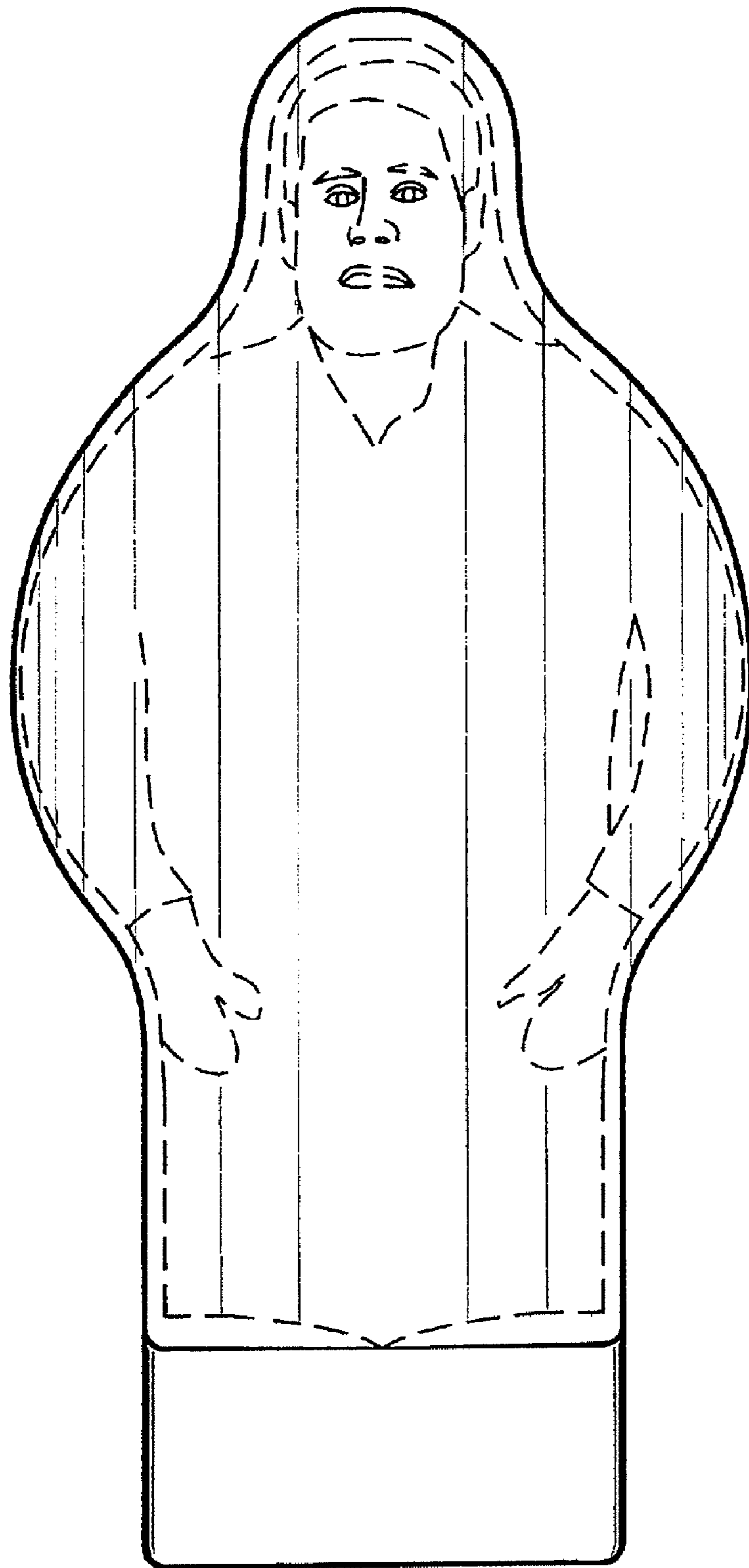


FIG. 1

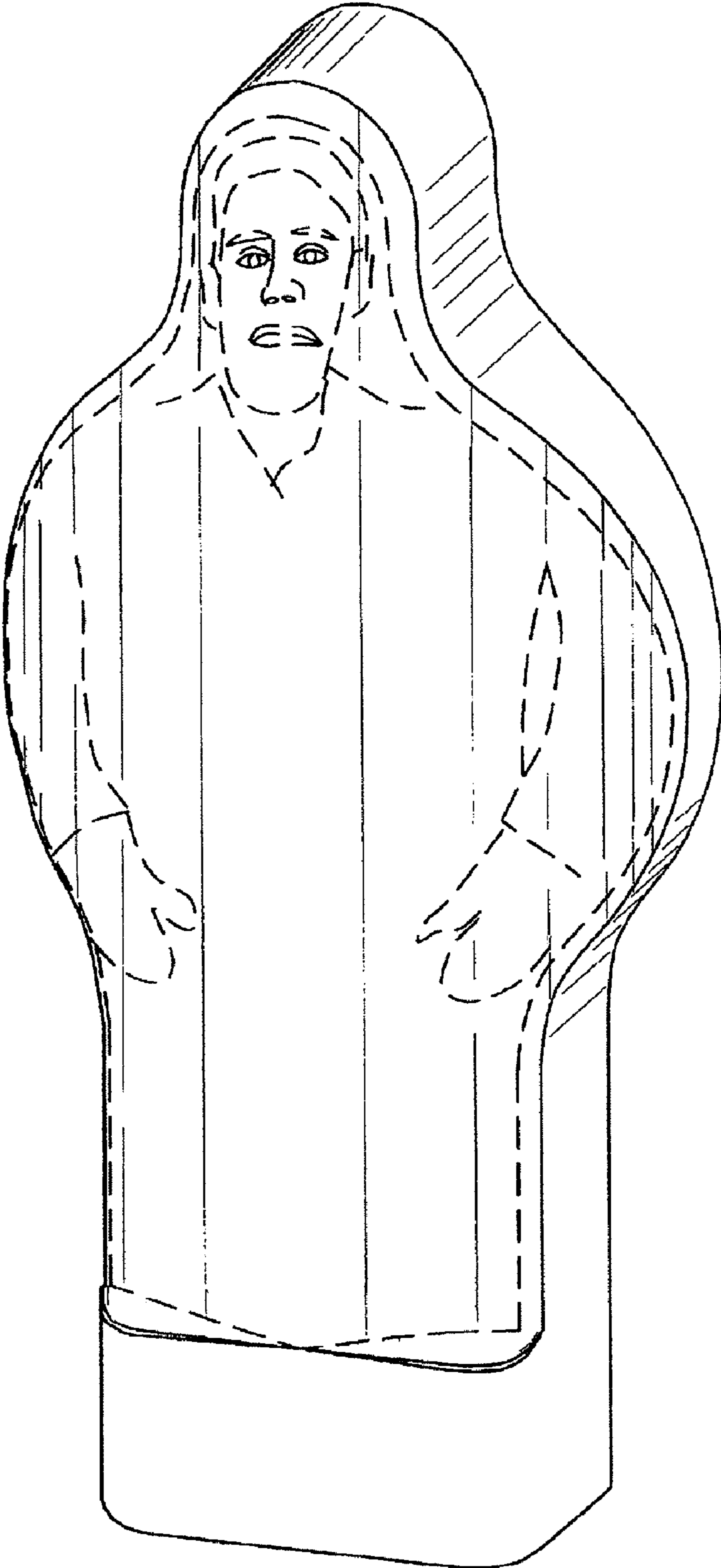


FIG. 2

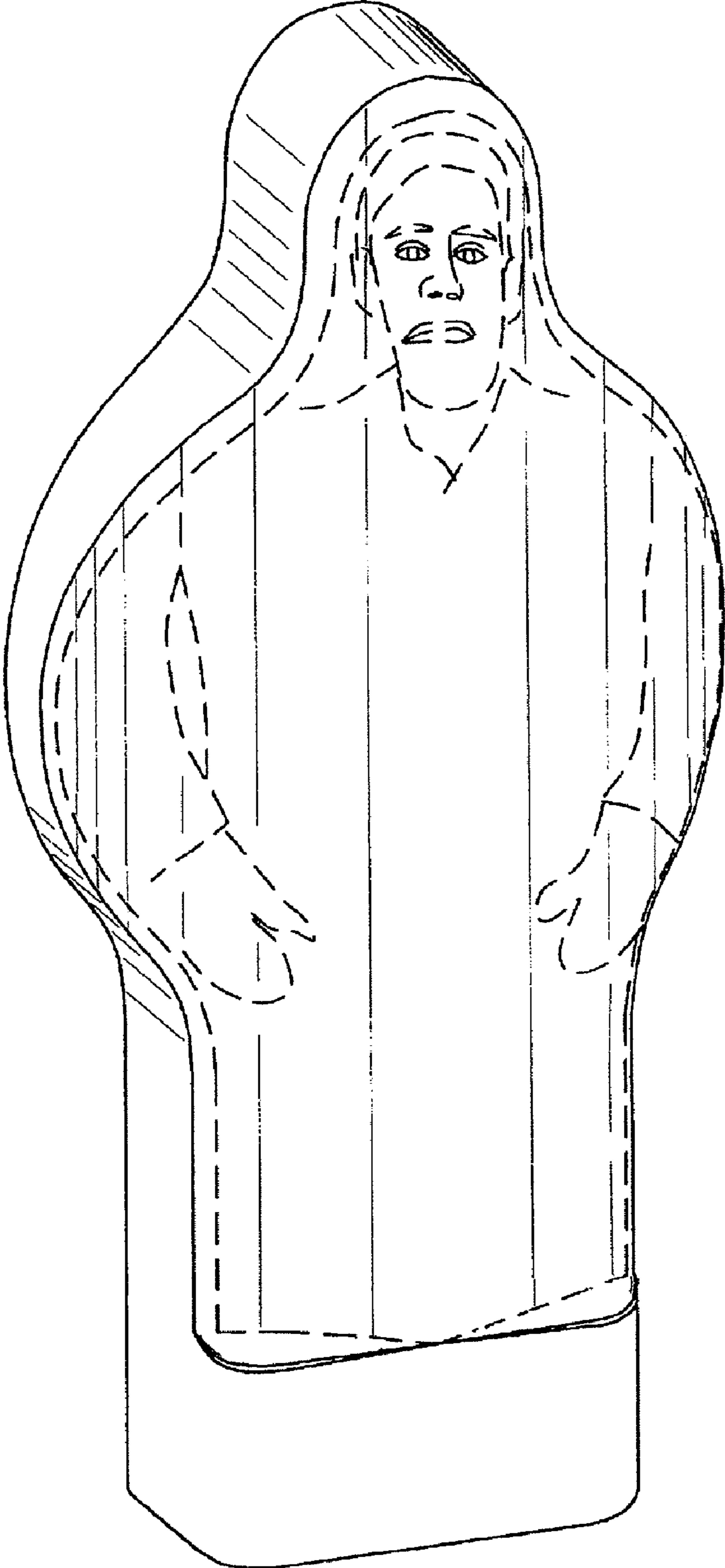


FIG. 3

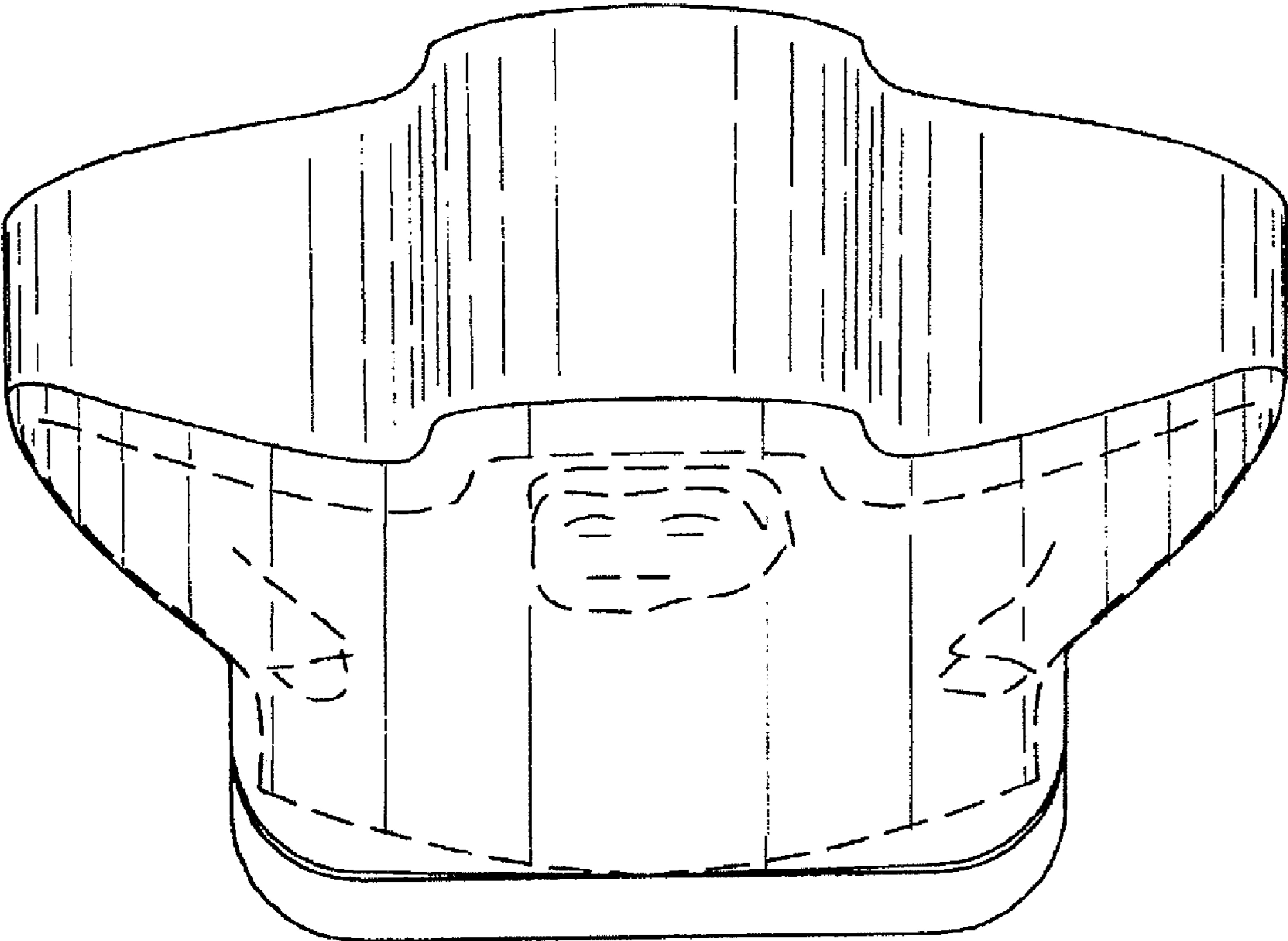


FIG. 4