



US00D618282S

(12) **United States Design Patent**
Kosir

(10) **Patent No.:** **US D618,282 S**
(45) **Date of Patent:** **** Jun. 22, 2010**

(54) **UNDER SHELF SIGN HOLDER**

(75) Inventor: **Joseph P. Kosir**, Euclid, OH (US)

(73) Assignee: **Fasteners For Retail, Inc.**, Twinsburg, OH (US)

(**) Term: **14 Years**

(21) Appl. No.: **29/338,111**

(22) Filed: **Jun. 4, 2009**

(51) **LOC (9) Cl.** **20-03**

(52) **U.S. Cl.** **D20/43**

(58) **Field of Classification Search** D20/10,
D20/19, 43, 44, 99; 40/642.01, 642.02, 647,
40/651-655, 657, 658, 662, 664, 666; D19/88;
248/288.31, 291.1, 314, 442.2

See application file for complete search history.

(56) **References Cited**

U.S. PATENT DOCUMENTS

4,960,258	A	10/1990	Stocker et al.	
5,029,378	A	7/1991	Stocker et al.	
D351,419	S *	10/1994	Goekler	D19/88
D376,388	S *	12/1996	Hall	D20/43
5,617,661	A *	4/1997	Mason	40/642.01
5,664,749	A	9/1997	Kump et al.	
6,289,618	B1	9/2001	Kump et al.	
6,357,711	B1 *	3/2002	Heyderman et al.	248/288.31
6,698,124	B2	3/2004	Kump et al.	
6,758,454	B2 *	7/2004	Smed	248/314
2007/0163971	A1	7/2007	Kosir	

OTHER PUBLICATIONS

FFR Yellow Pages 2008 Product Catalog, cover page and pp. 87, 102 and 103.

* cited by examiner

Primary Examiner—Janice E Seeger
Assistant Examiner—Mary Ann Calabrese
(74) *Attorney, Agent, or Firm*—Fay Sharpe LLP

(57) **CLAIM**

The ornamental design for an under shelf sign holder, as shown and described.

DESCRIPTION

FIG. 1 is a perspective view of an under shelf sign holder showing a first embodiment of my new design;

FIG. 2 is a left side elevational view thereof with a right side elevational view being a mirror image thereof;

FIG. 3 is a top plan view thereof;

FIG. 4 is a bottom plan view thereof;

FIG. 5 is a rear elevational view thereof;

FIG. 6 is a front elevational view thereof;

FIG. 7 is an exploded perspective view thereof;

FIG. 8 is a perspective view of an under shelf sign holder showing a second embodiment of my new design;

FIG. 9 is a left side elevational view thereof, with a right side elevational view being a mirror image thereof;

FIG. 10 is a top plan view thereof;

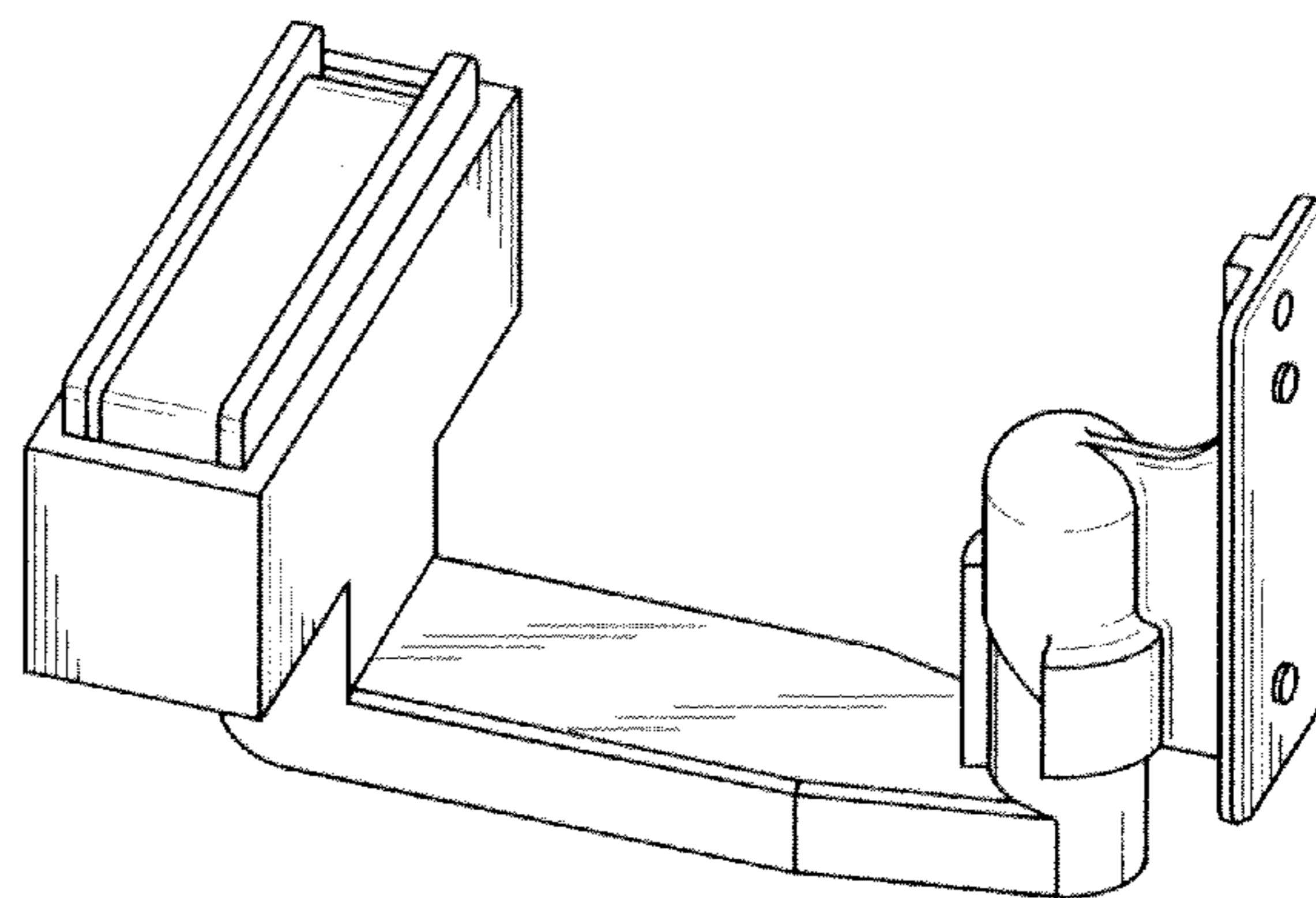
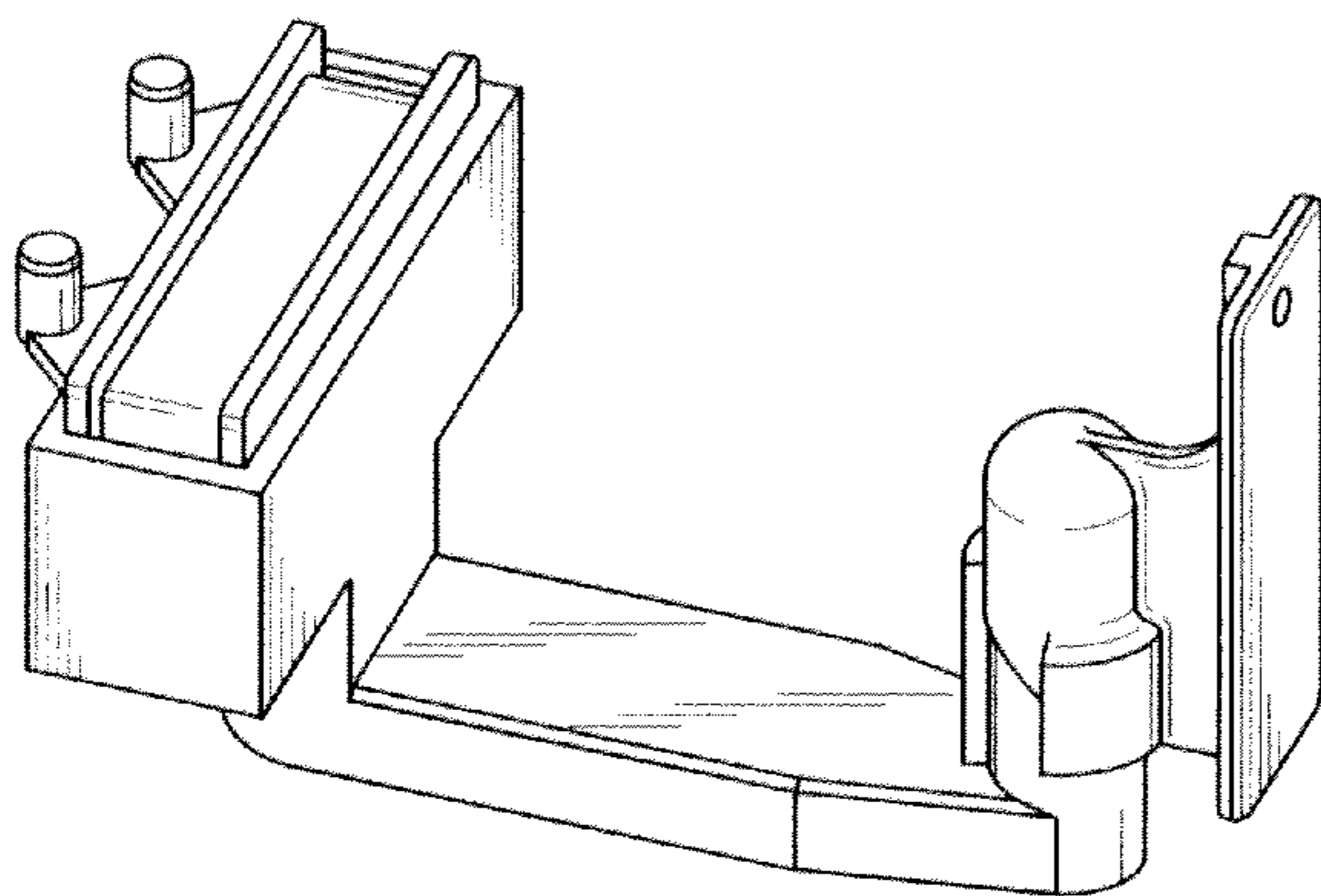
FIG. 11 is a bottom plan view thereof;

FIG. 12 is a rear elevational view thereof; and,

FIG. 13 is a front elevational view thereof.

The broken lines represent portions of the under shelf sign holder that form no part of the claimed design.

1 Claim, 5 Drawing Sheets



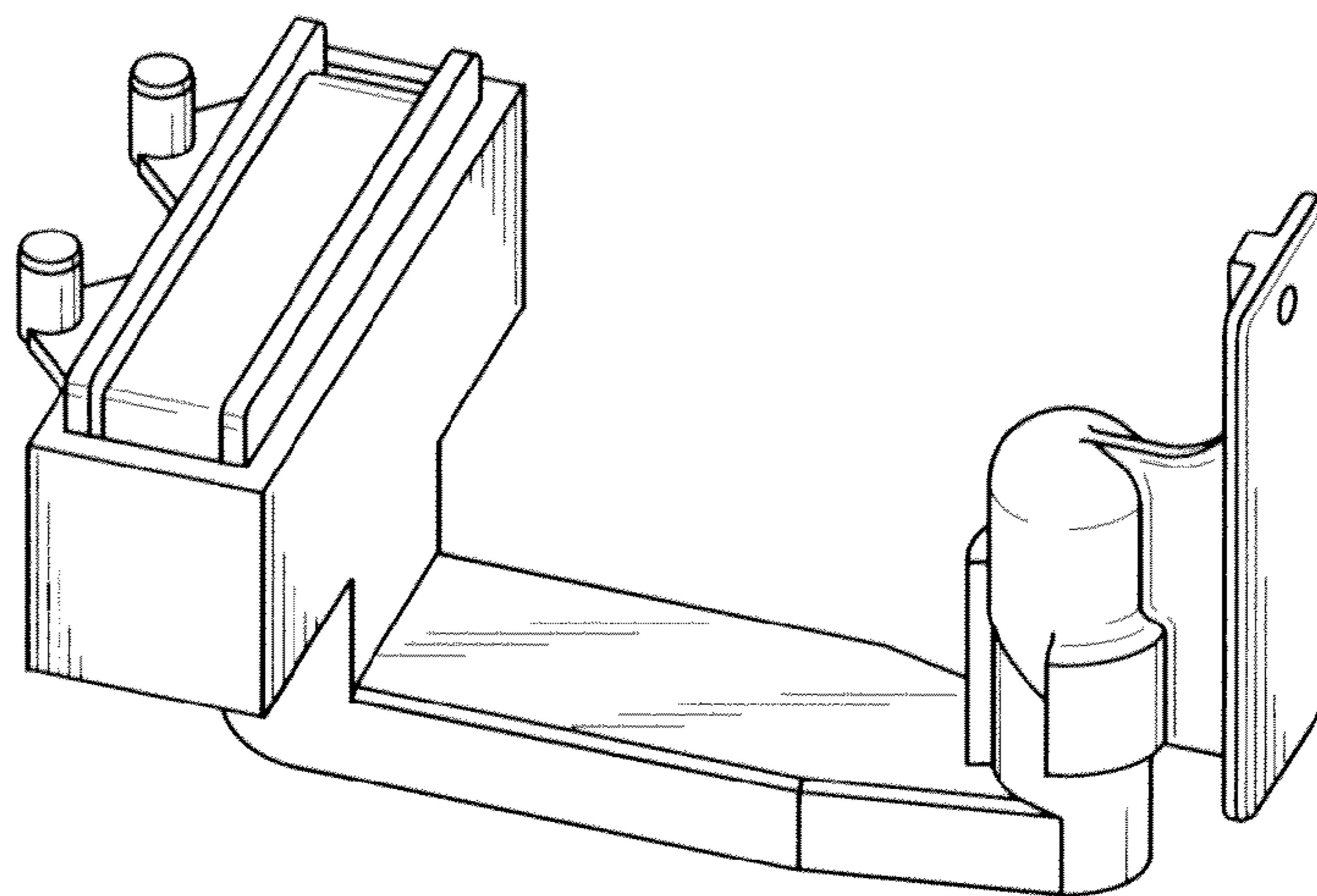


FIG. 1

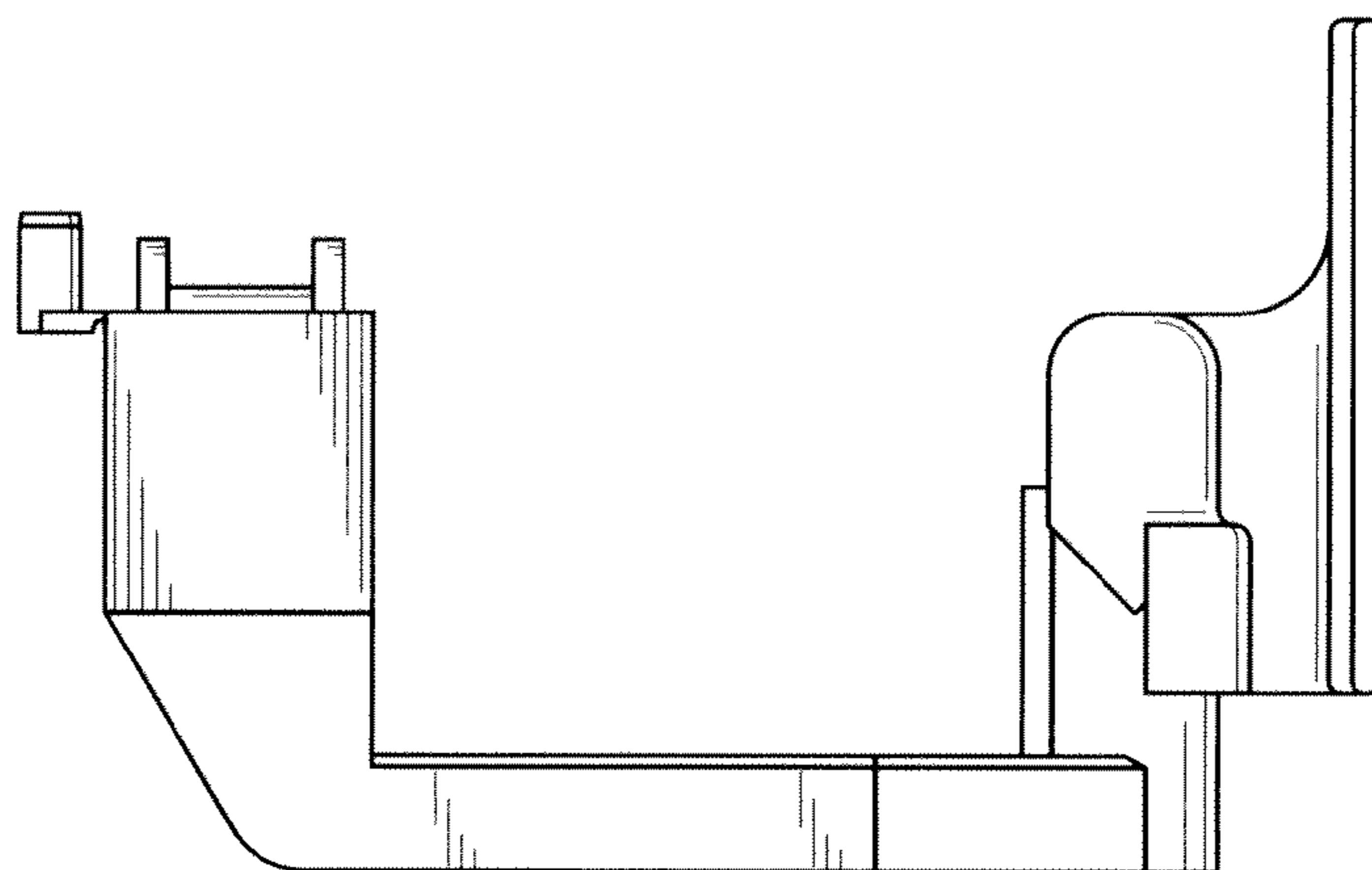


FIG. 2

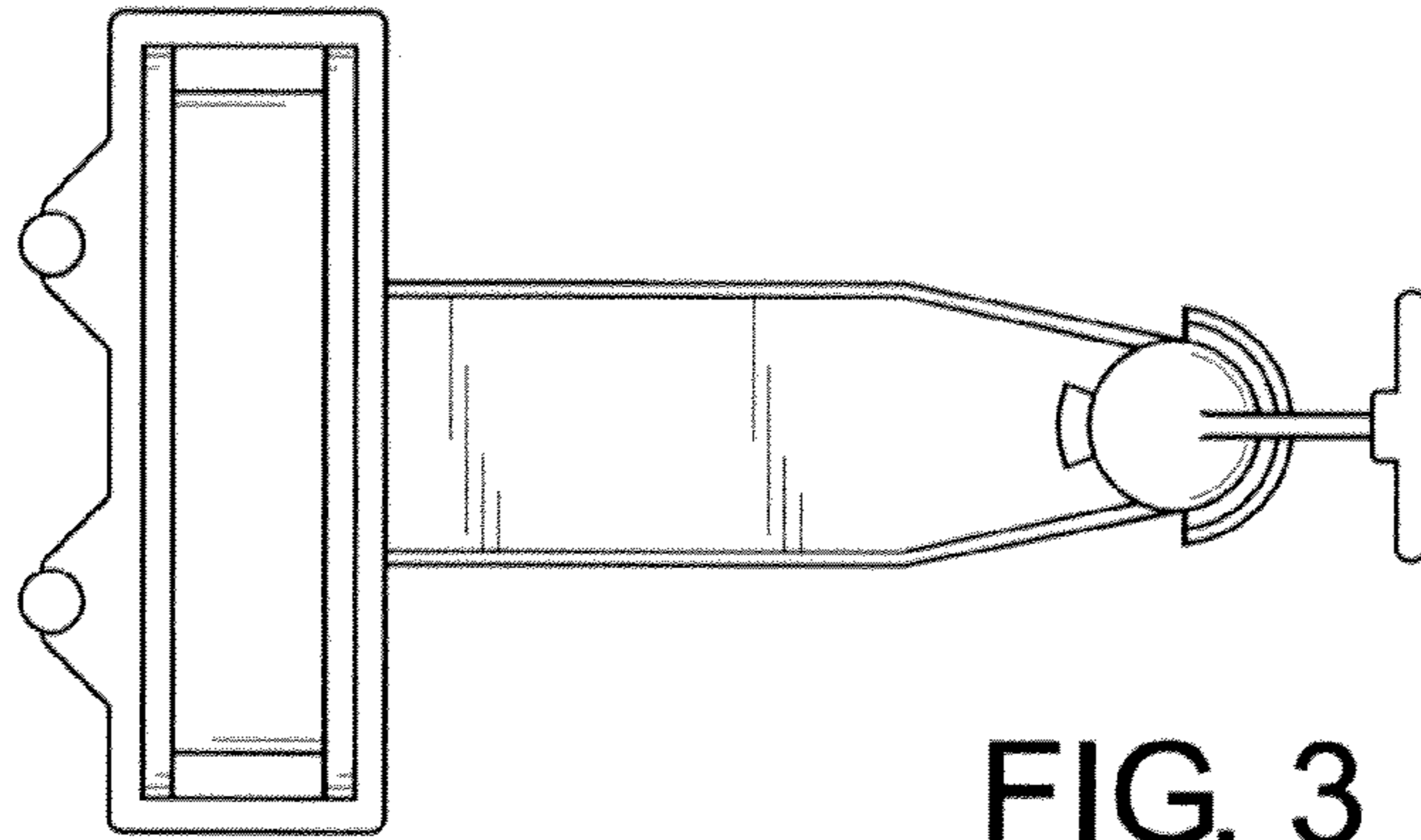


FIG. 3

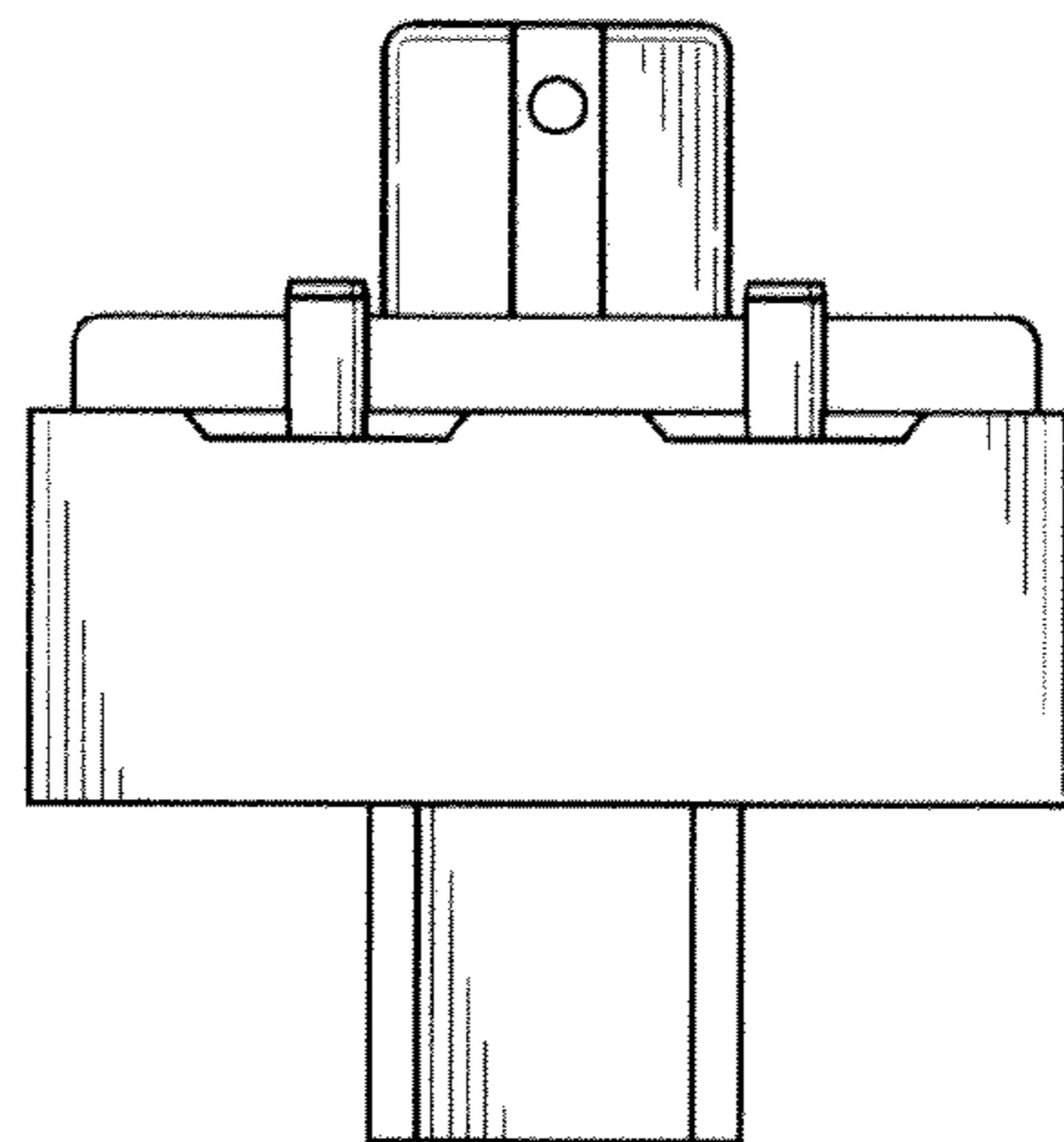


FIG. 5

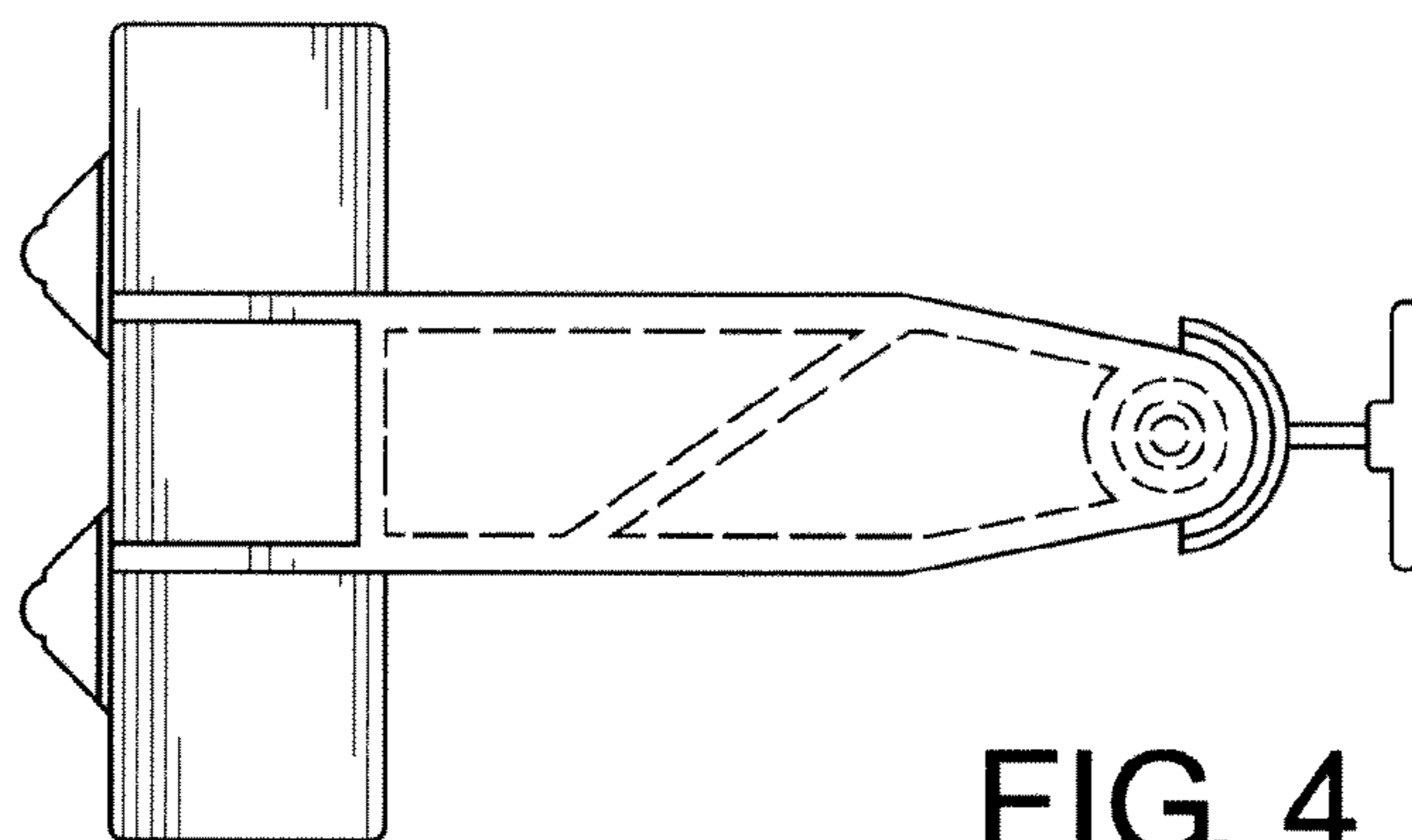


FIG. 4

FIG. 6

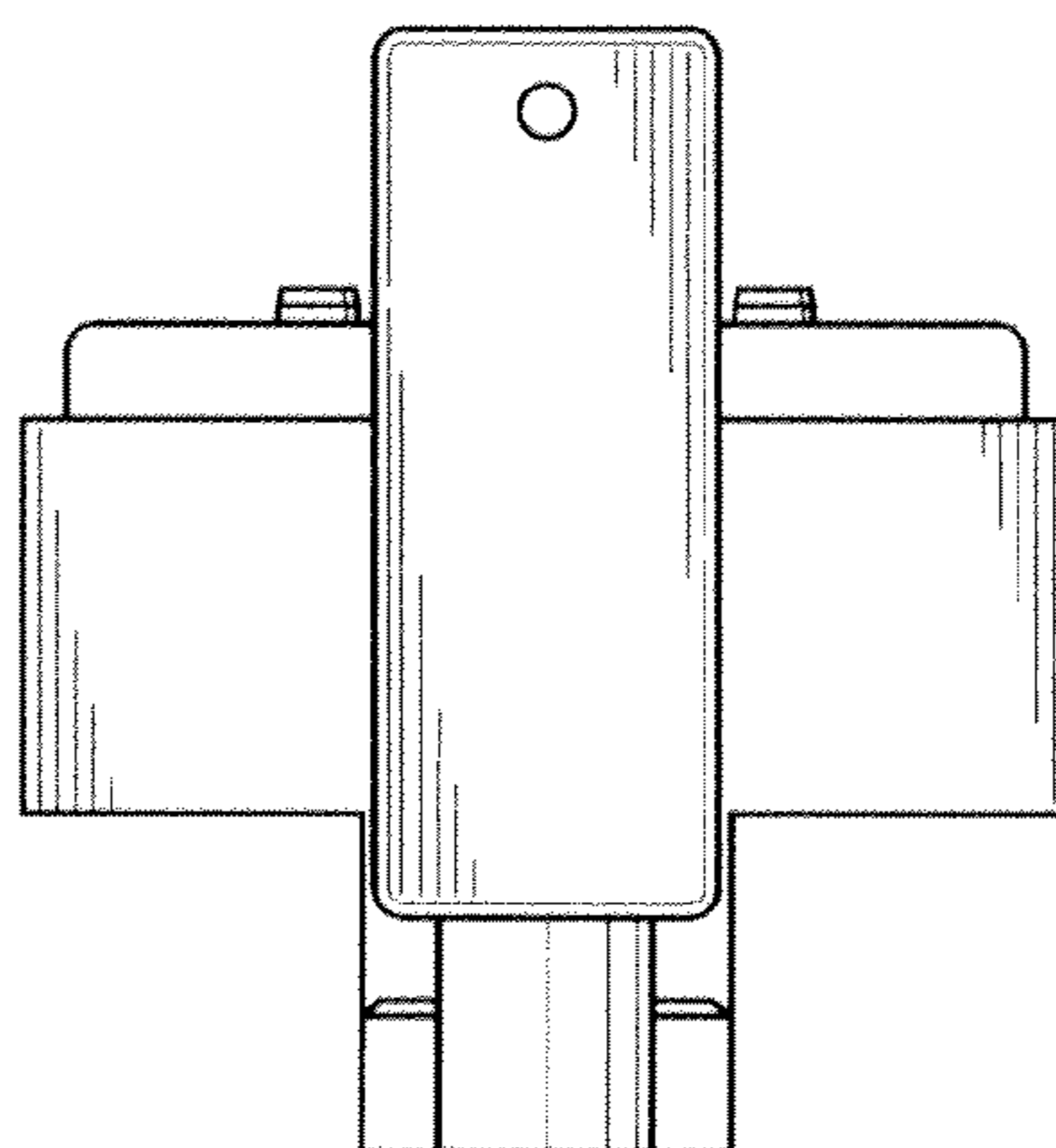
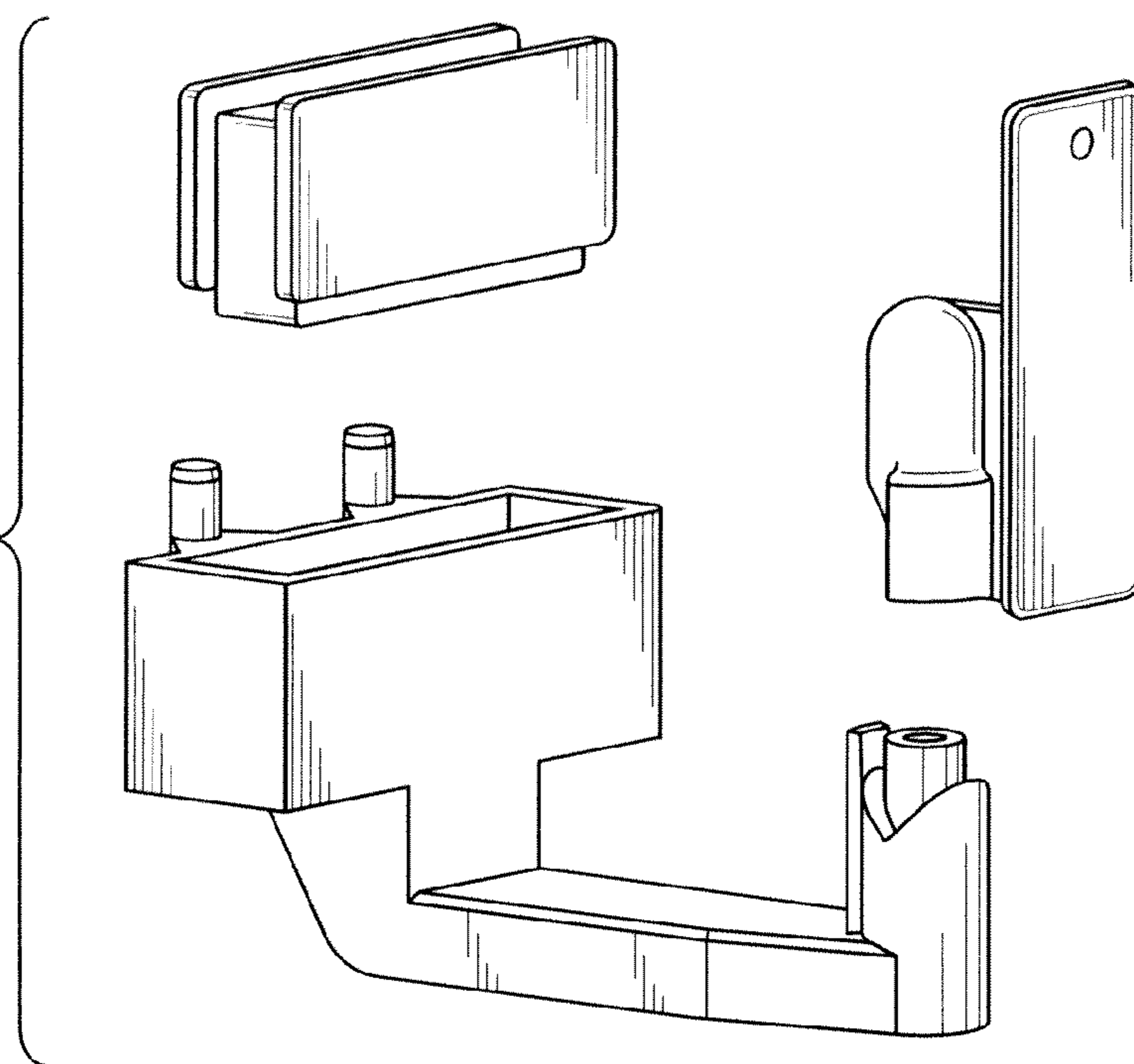


FIG. 7



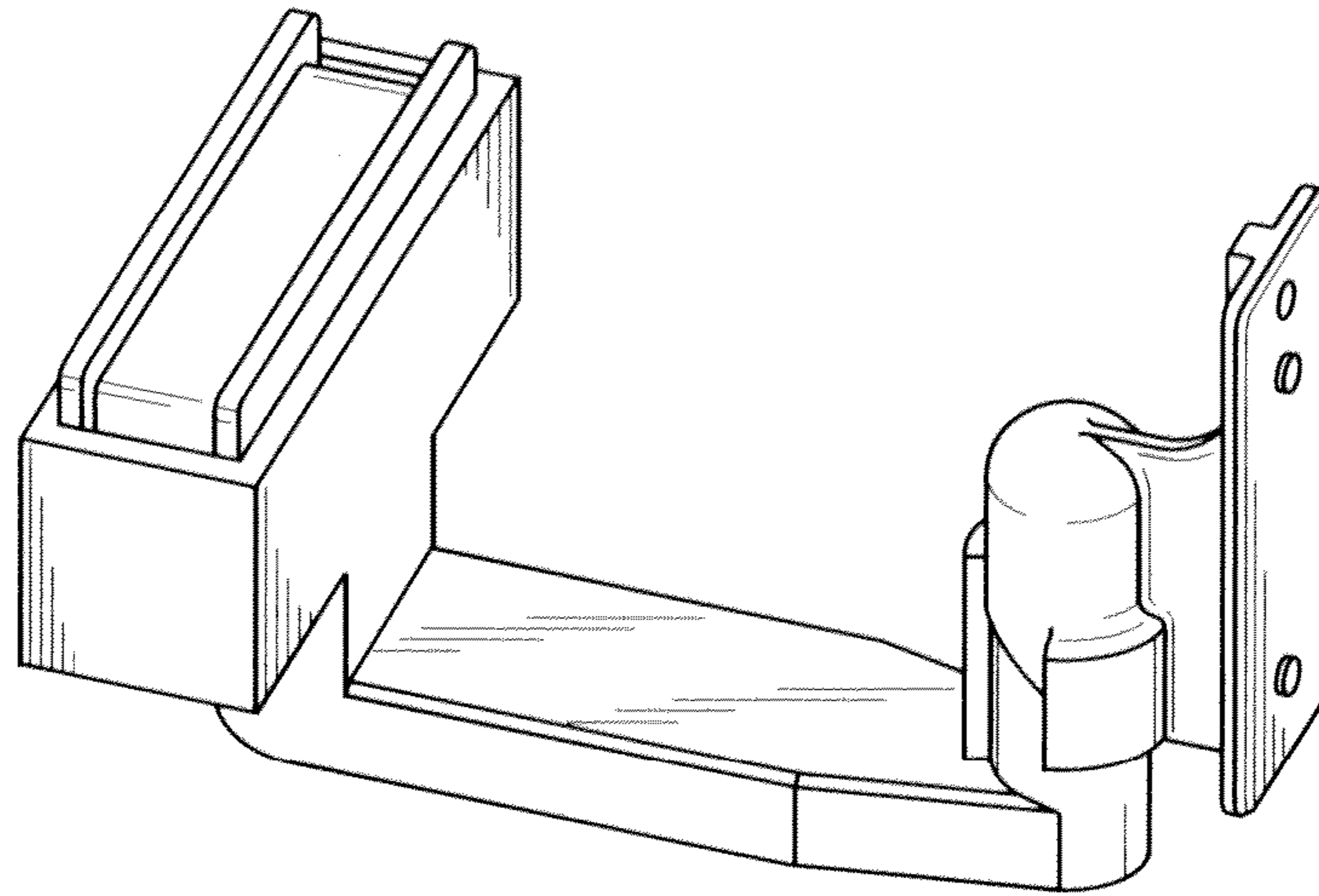


FIG. 8

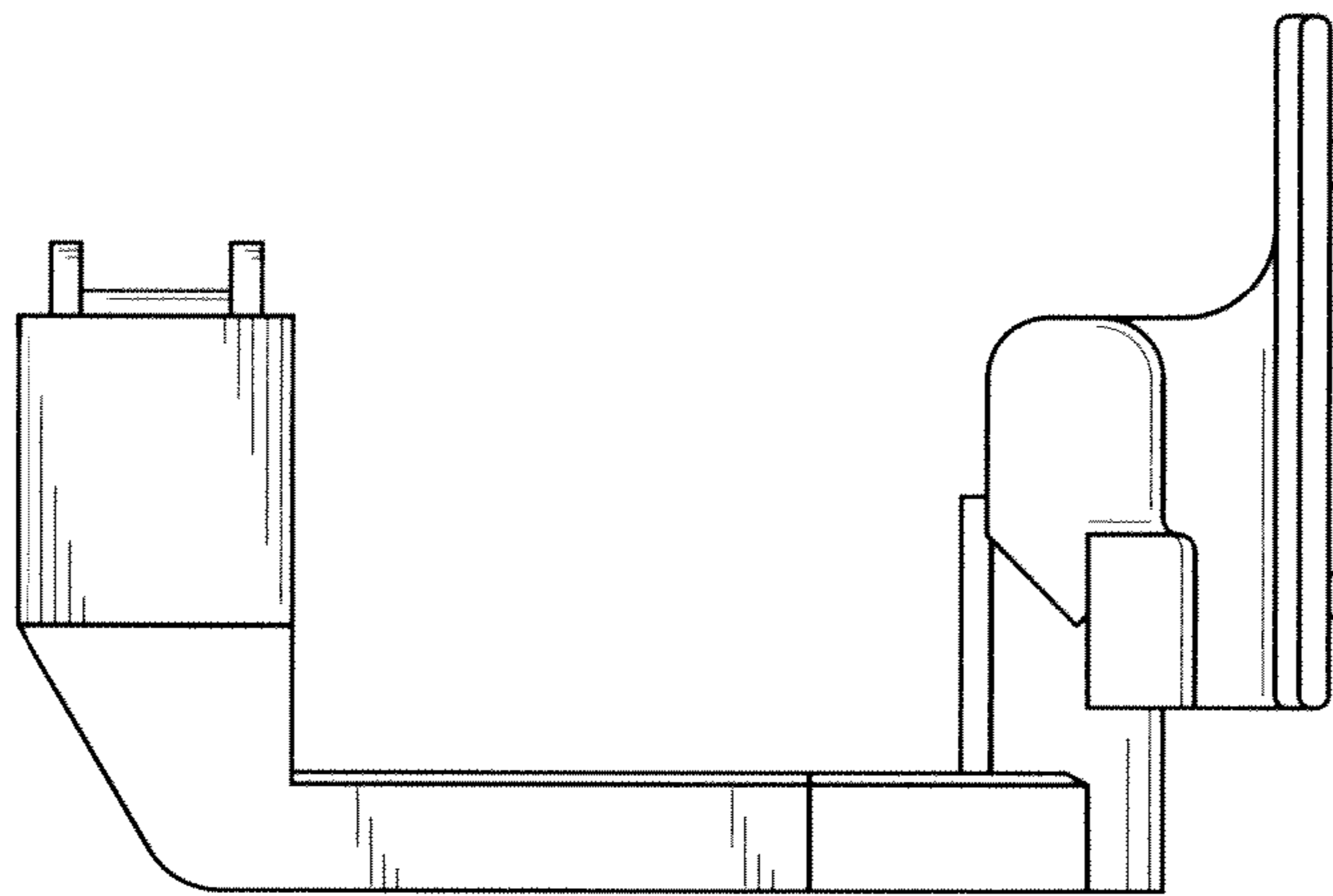


FIG. 9

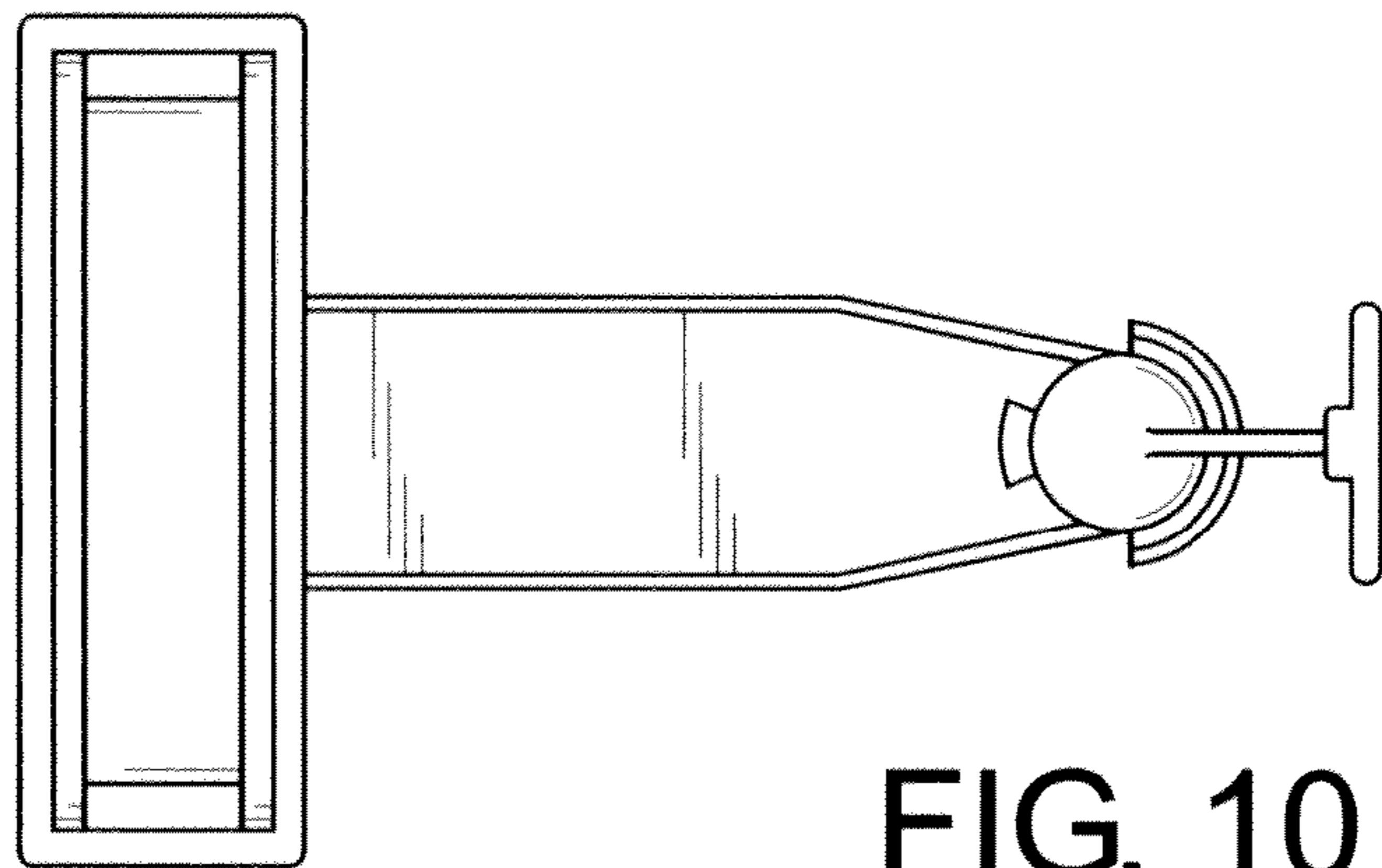


FIG. 10

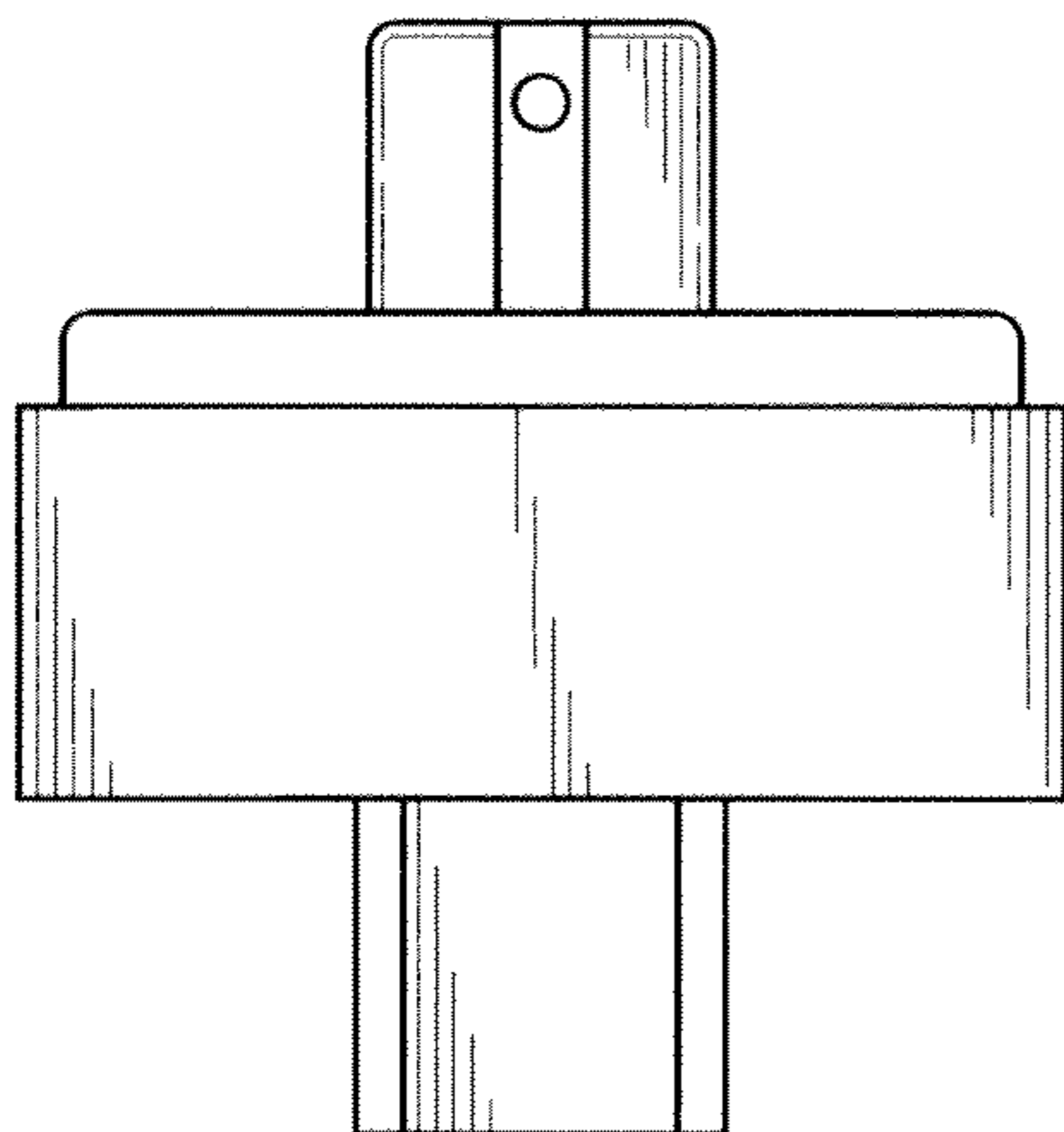


FIG. 12

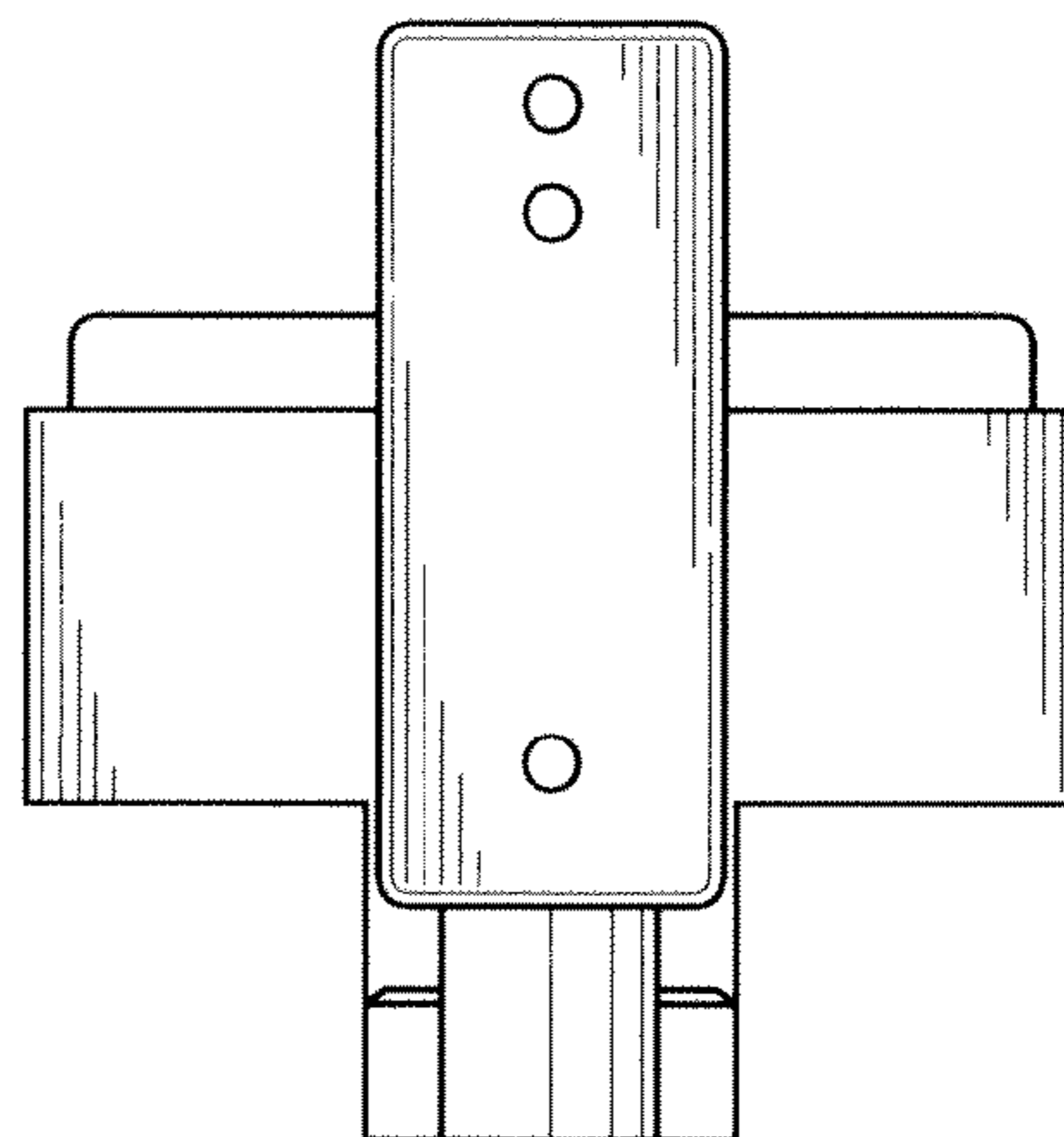


FIG. 13

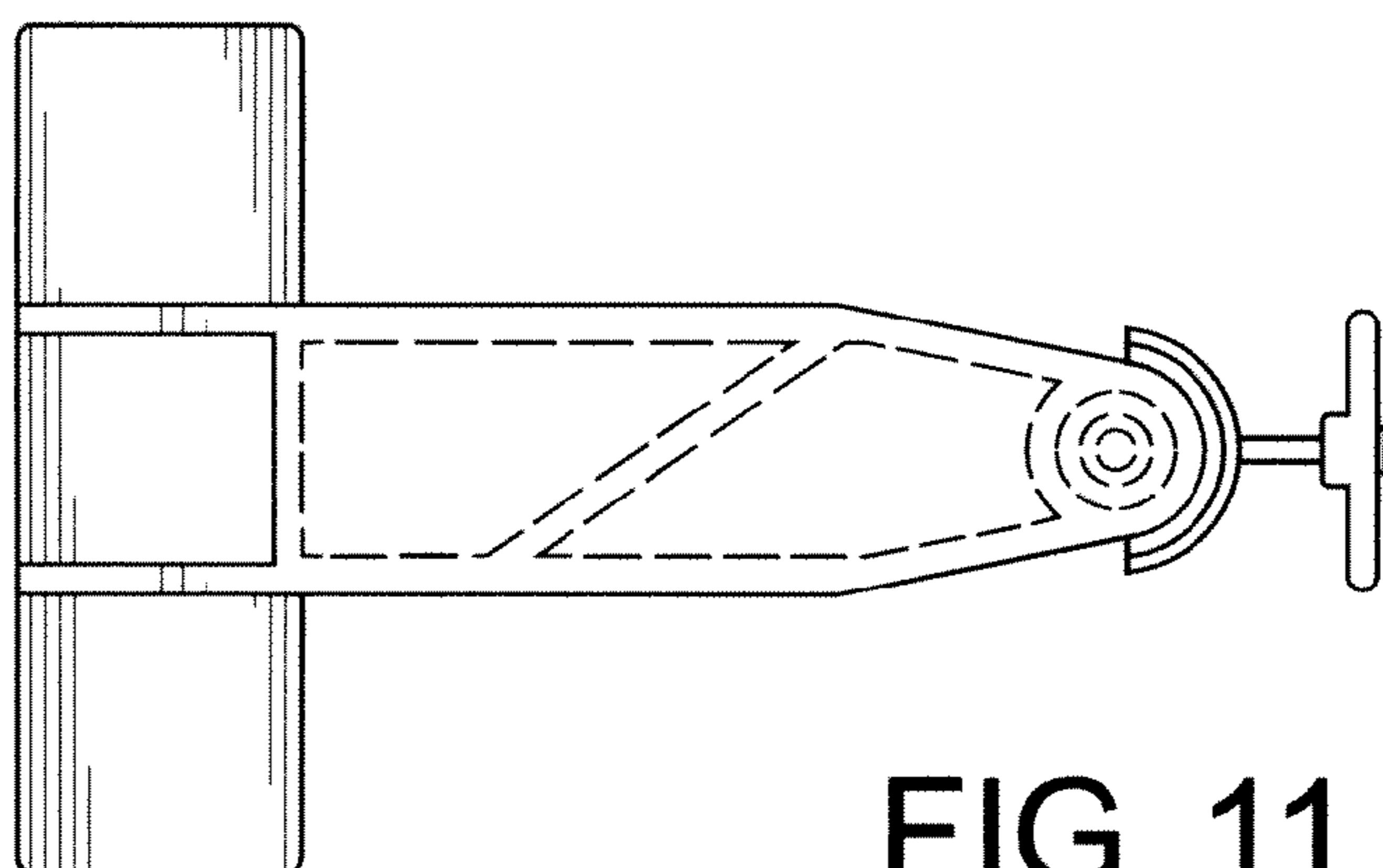


FIG. 11