



US00D618279S

(12) **United States Design Patent**
Munroe et al.

(10) **Patent No.:** **US D618,279 S**
(45) **Date of Patent:** **** Jun. 22, 2010**

(54) **HOLE PUNCHING TOOL**

(75) Inventors: **Elke Munroe**, Maroubra (AU); **Emma Kowaleczko**, Maroubra (AU)

(73) Assignee: **Caleidoscopio Ptd Ltd**, Sydney, New South Wales (AU)

(**) Term: **14 Years**

(21) Appl. No.: **29/325,707**

(22) Filed: **Oct. 3, 2008**

(30) **Foreign Application Priority Data**

Apr. 3, 2008 (AU) 11568/2008

(51) **LOC (9) Cl.** **19-02**

(52) **U.S. Cl.** **D19/72**

(58) **Field of Classification Search** D8/98-105;
D19/72, 73; 30/358, 363; 83/167, 582, 588,
83/613, 618, 620, 633, 684, 686, 697
See application file for complete search history.

(56) **References Cited**

U.S. PATENT DOCUMENTS

- 3,831,483 A * 8/1974 Beauplat 83/698.91
- D287,567 S * 1/1987 Chouinard D8/61
- D311,124 S * 10/1990 Learney D8/105
- D392,323 S * 3/1998 Appelbaum D19/72
- D434,443 S * 11/2000 Mori et al. D19/72
- D461,206 S * 8/2002 Gstalder D19/73

- D533,661 S * 12/2006 Yip D24/133
- D536,231 S * 2/2007 Kawasaki D8/98
- D582,240 S * 12/2008 Benktzon et al. D8/98
- 7,562,790 B2 * 7/2009 Wheeler et al. 221/31

OTHER PUBLICATIONS

Punch, Pininho, www.caleidoscopio.com, 7 pages, Nov. 2008.*

* cited by examiner

Primary Examiner—Elizabeth A Albert

(74) *Attorney, Agent, or Firm*—Knobbe, Martens, Olson & Bear LLP

(57) **CLAIM**

The ornamental design for the hole punching tool, as shown and described.

DESCRIPTION

FIG. 1 is a top forward perspective view in a closed position of the hole punching tool of the design;

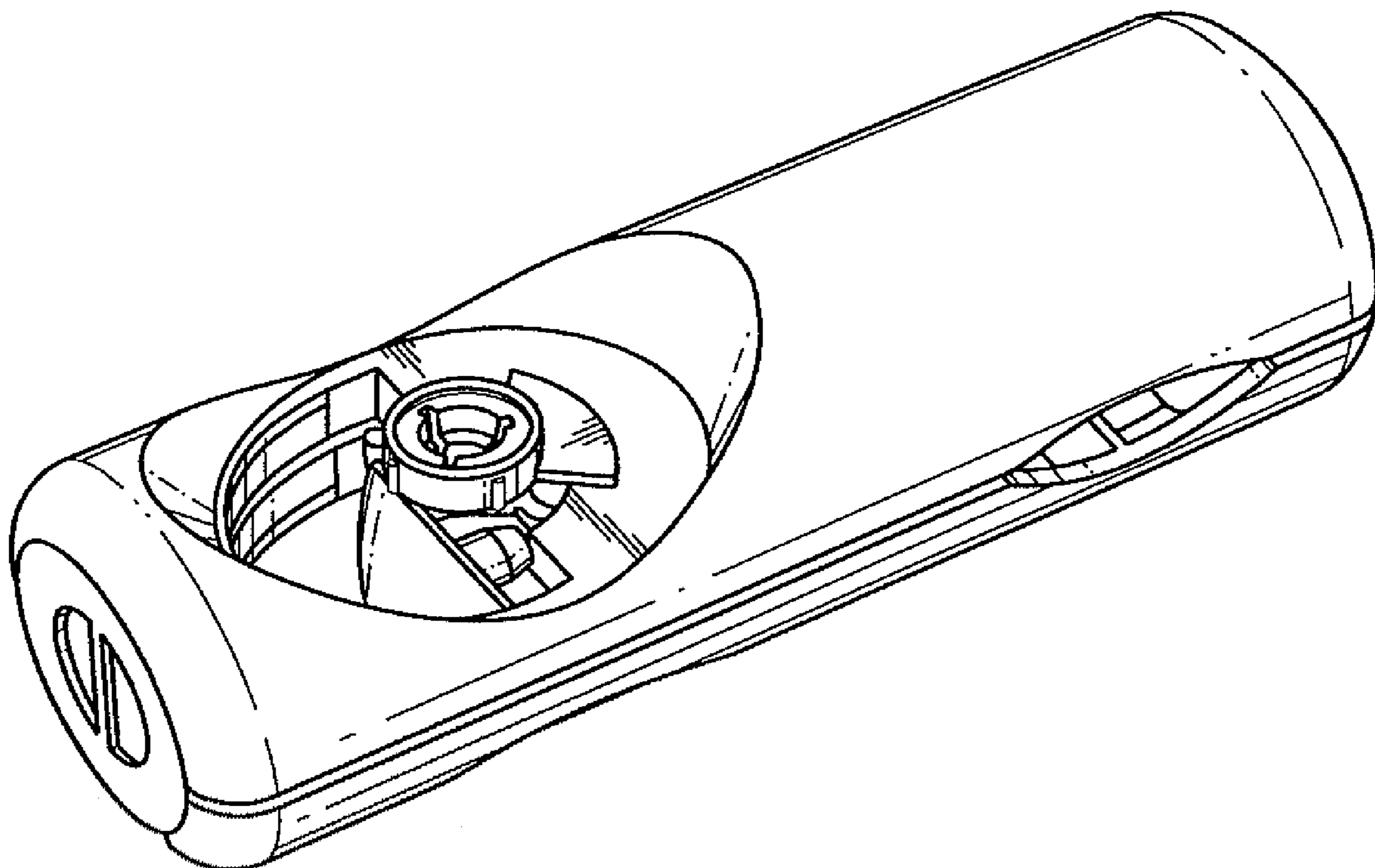
FIG. 2 is a bottom rear perspective view in a closed position of the hole punching tool of FIG. 1;

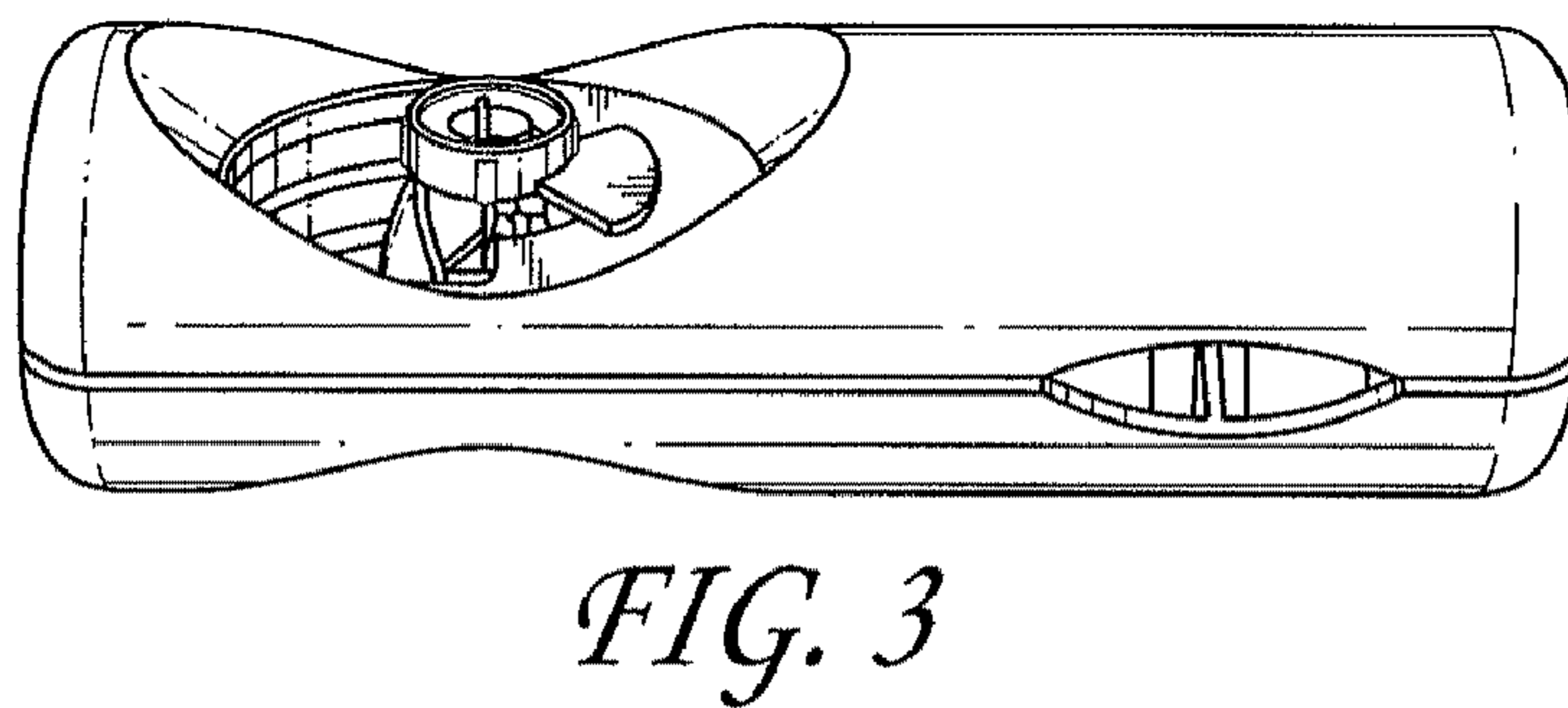
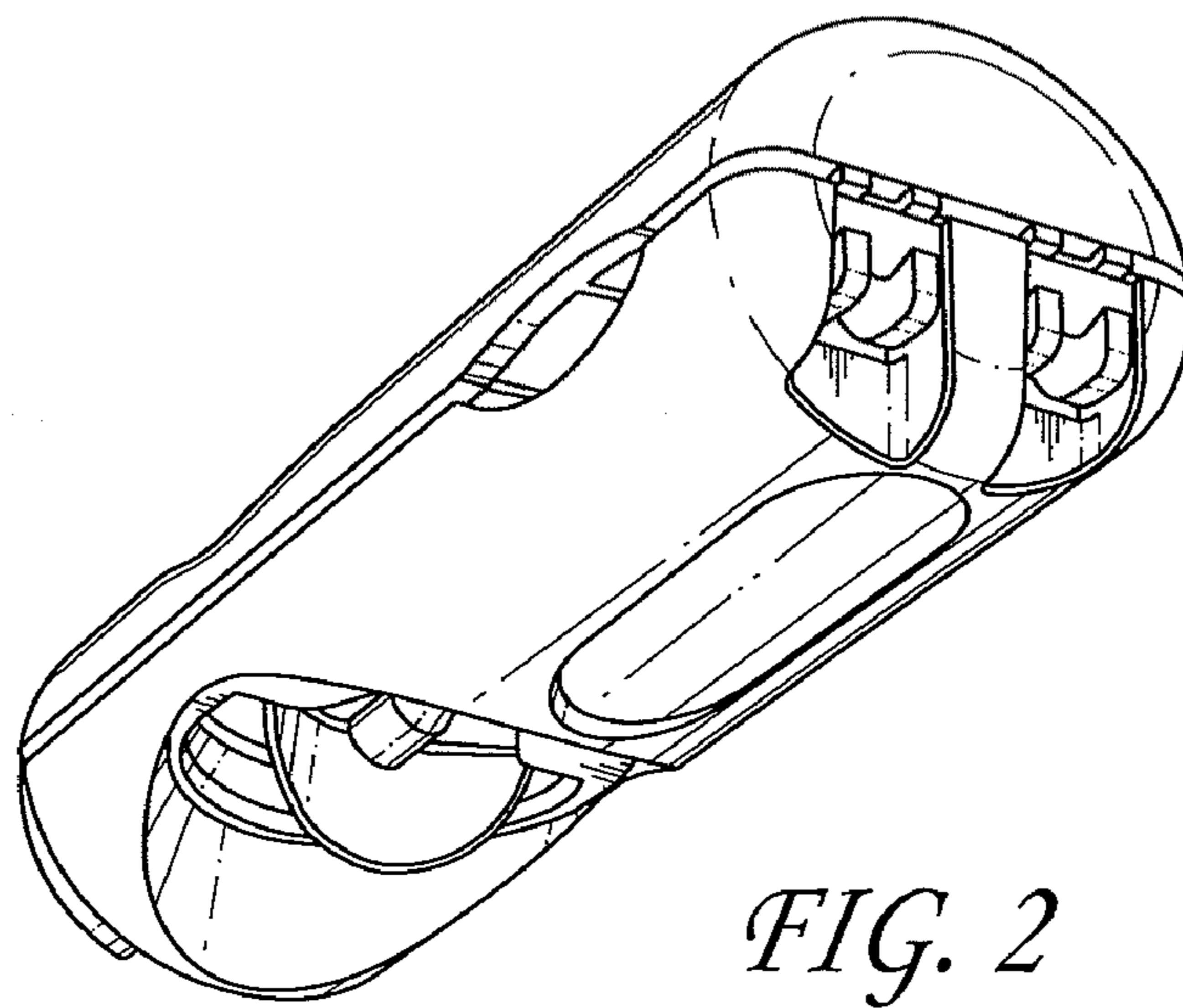
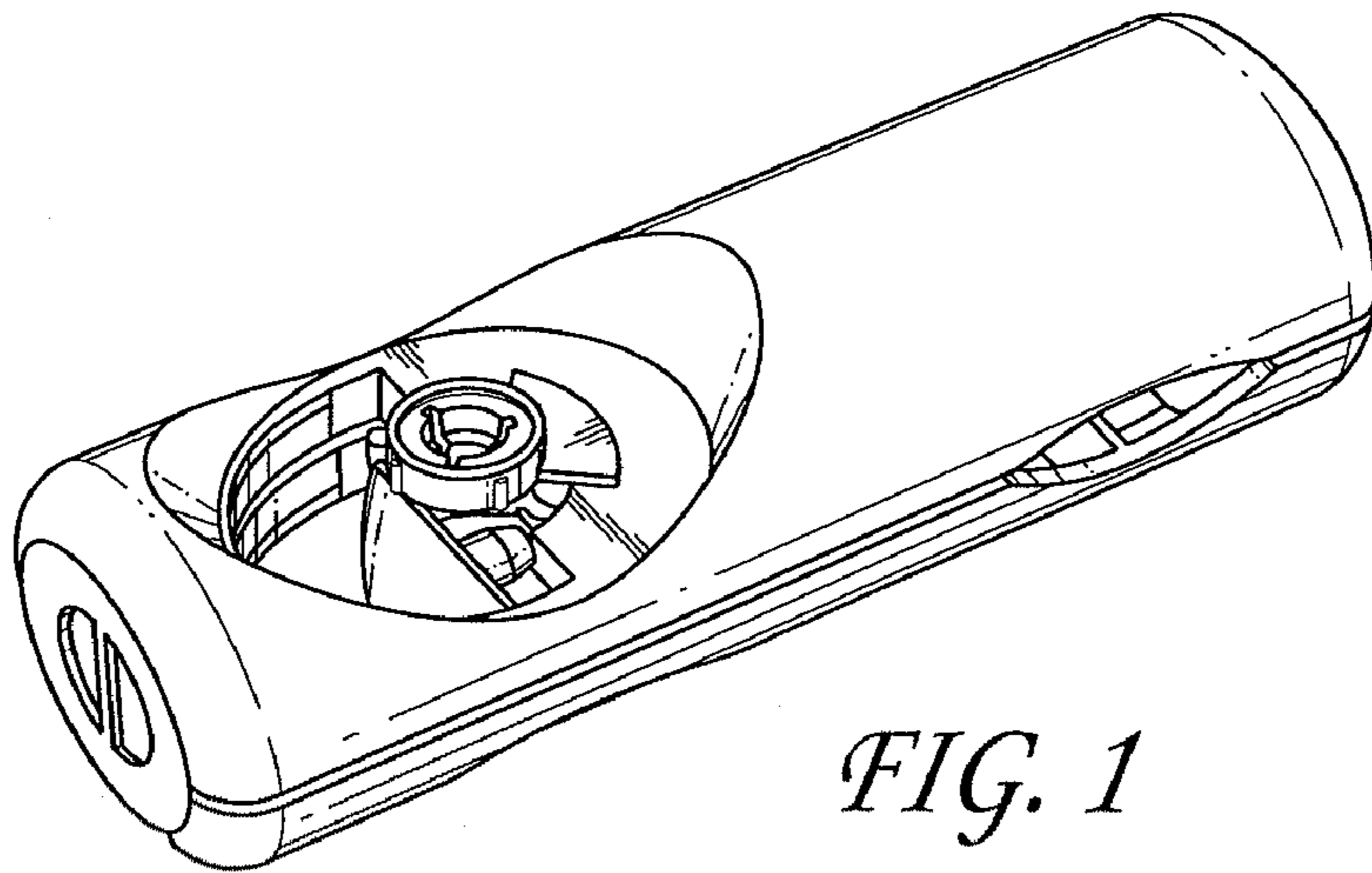
FIG. 3 is a top right side perspective view in a closed position of the hole punching tool of FIG. 1;

FIG. 4 is a top rear perspective view in an open position of the hole punching tool of FIG. 1; and,

FIG. 5 is a top forward perspective view in an open position of the hole punching tool of FIG. 4.

1 Claim, 2 Drawing Sheets





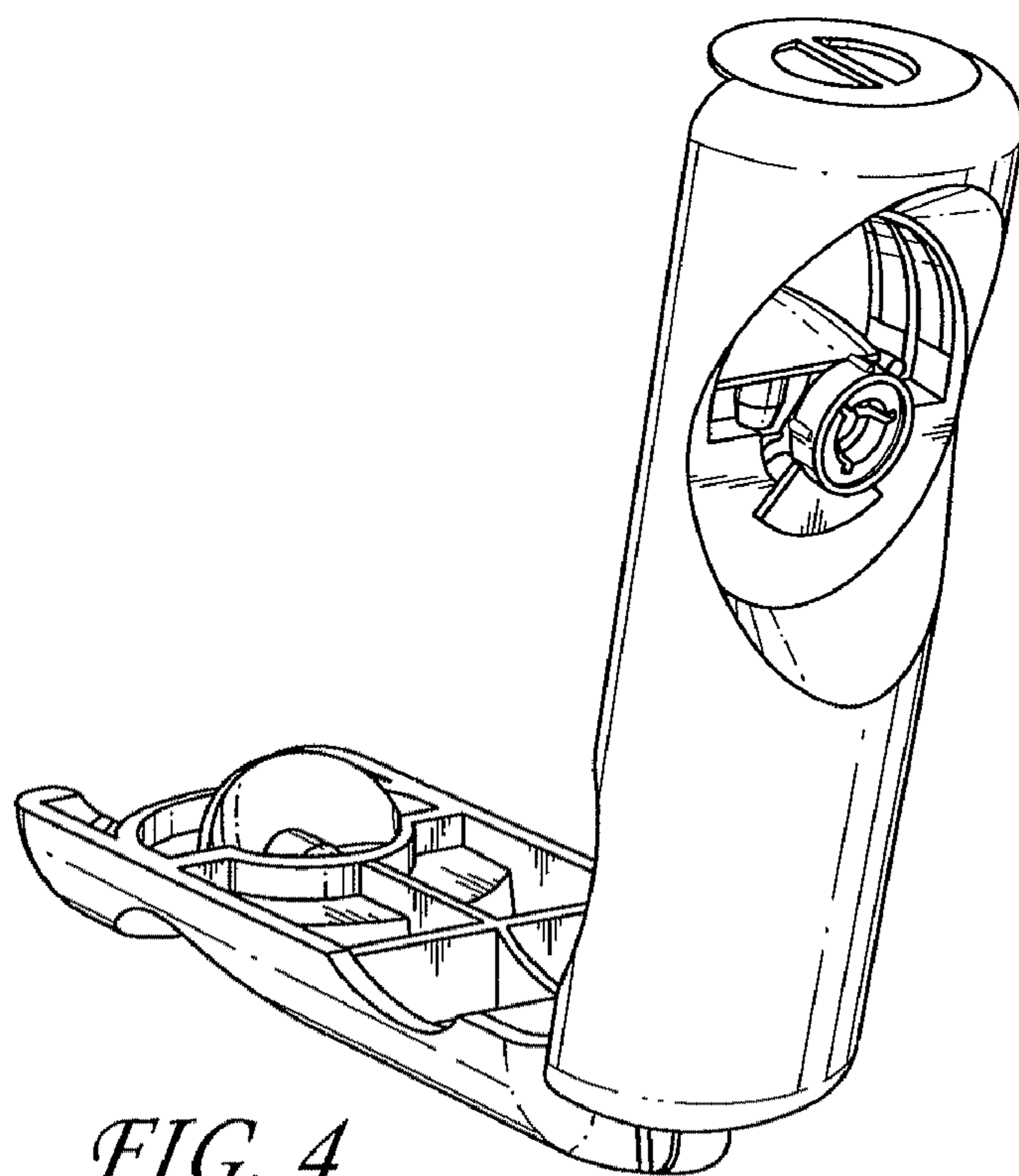


FIG. 4

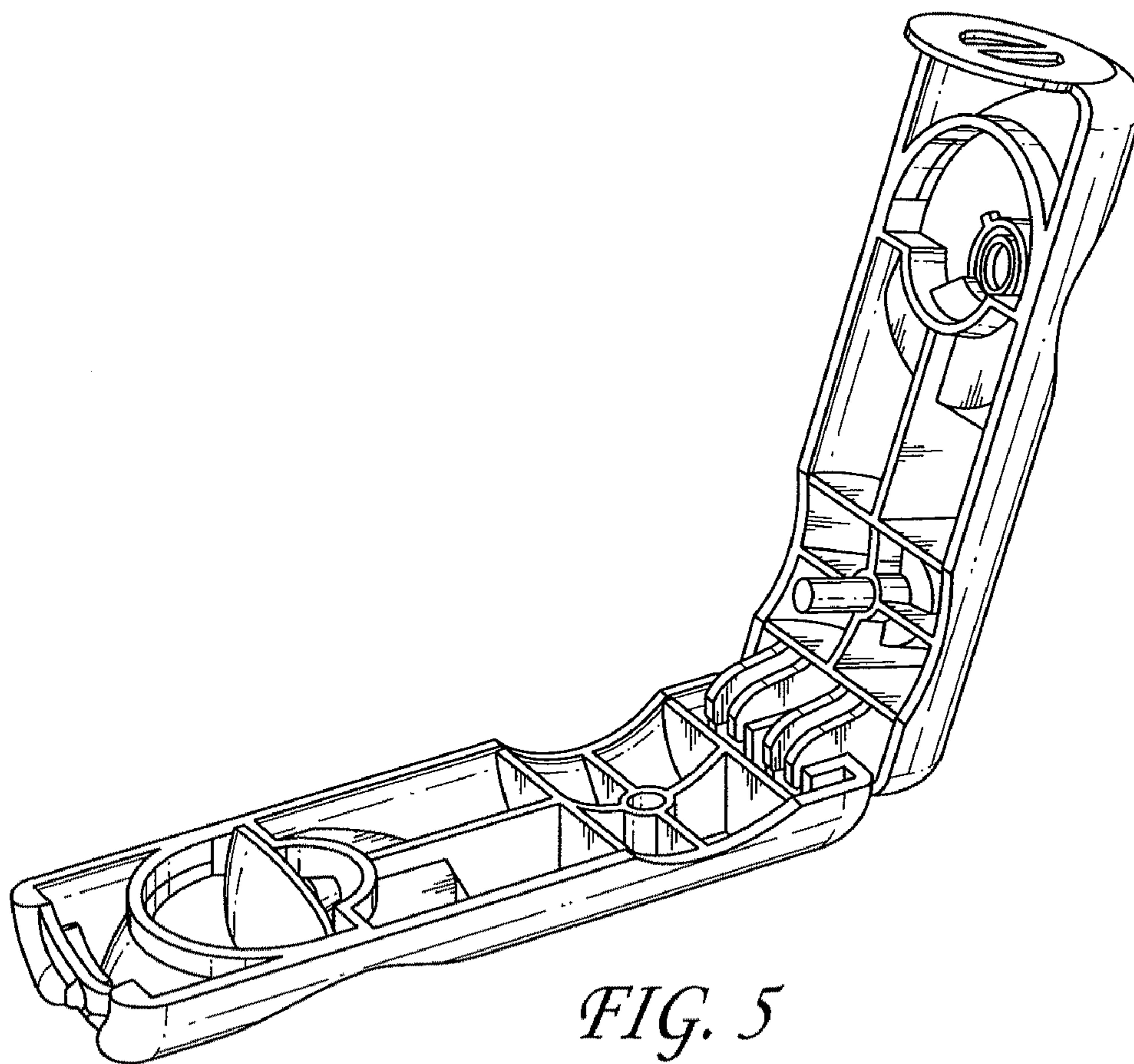


FIG. 5

UNITED STATES PATENT AND TRADEMARK OFFICE
CERTIFICATE OF CORRECTION

PATENT NO. : Des. 618,279 S
APPLICATION NO. : 29/325707
DATED : June 22, 2010
INVENTOR(S) : Munro et al.

Page 1 of 1

It is certified that error appears in the above-identified patent and that said Letters Patent is hereby corrected as shown below:

Title page, item [75] the last name of the First Named inventor is Munro.

Title page, item [73] the Assignee is Caleidoscopio Pty Ltd.

Signed and Sealed this

Fourteenth Day of December, 2010

A handwritten signature in black ink that reads "David J. Kappos". The signature is written in a cursive, flowing style.

David J. Kappos
Director of the United States Patent and Trademark Office