



US00D618277S

(12) **United States Design Patent**  
**Baker et al.**

(10) **Patent No.:** **US D618,277 S**  
(45) **Date of Patent:** **\*\* Jun. 22, 2010**

(54) **DOCUMENT ORGANIZER**

(75) Inventors: **Jeff Baker**, Orlando, FL (US); **Mark Bunker**, Orlando, FL (US); **Seth Freytag**, Windermere, FL (US); **Kelly Harden**, Orlando, FL (US)

(73) Assignee: **Noble Marketing, Inc.**, Orlando, FL (US)

(\*\*) Term: **14 Years**

(21) Appl. No.: **29/352,158**

(22) Filed: **Dec. 17, 2009**

**Related U.S. Application Data**

(62) Division of application No. 29/335,712, filed on Apr. 20, 2009, now Pat. No. Des. 611,533.

(51) **LOC (9) Cl.** ..... **19-04**

(52) **U.S. Cl.** ..... **D19/27**

(58) **Field of Classification Search** ..... D6/626, D6/632, 407; D3/303, 301; D19/27, 26, D19/90, 30, 31; D9/423; 402/73; 281/37, 281/31, 4, 29, 2

See application file for complete search history.

(56) **References Cited**

**U.S. PATENT DOCUMENTS**

4,219,951 A	9/1980	Schmidt
5,575,504 A	11/1996	Wagner
D406,603 S	3/1999	Karten
D407,433 S	3/1999	Hodes
D425,116 S	5/2000	Pflug
D435,269 S	12/2000	Karten et al.
D471,014 S	3/2003	Shapiro
D476,032 S	6/2003	Marchand

D486,518 S	2/2004	Africa et al.
D504,463 S	4/2005	Wehmeyer
D513,279 S	12/2005	Hough et al.
D518,105 S	3/2006	Hough et al.
D529,087 S	9/2006	Dixon
D544,539 S *	6/2007	Singh ..... D19/27
D581,458 S *	11/2008	Stockstill et al. .... D19/26
D591,343 S *	4/2009	Hussy et al. .... D19/27
D599,852 S *	9/2009	Baker et al. .... D19/27
D601,623 S *	10/2009	Baker et al. .... D19/27

\* cited by examiner

*Primary Examiner*—Cathron C Brooks

*Assistant Examiner*—Austin Murphy

(74) *Attorney, Agent, or Firm*—Timothy H. Van Dyke; Beusse Wolter Sanks Mora & Maire

(57) **CLAIM**

The ornamental design for a document organizer, as shown and described.

**DESCRIPTION**

FIG. 1' shows a perspective, end view of a document organizer;

FIG. 2' is a top plan view of a document organizer;

FIG. 3' is a back, plan view of a document organizer;

FIG. 4' is side, elevational view of a document organizer;

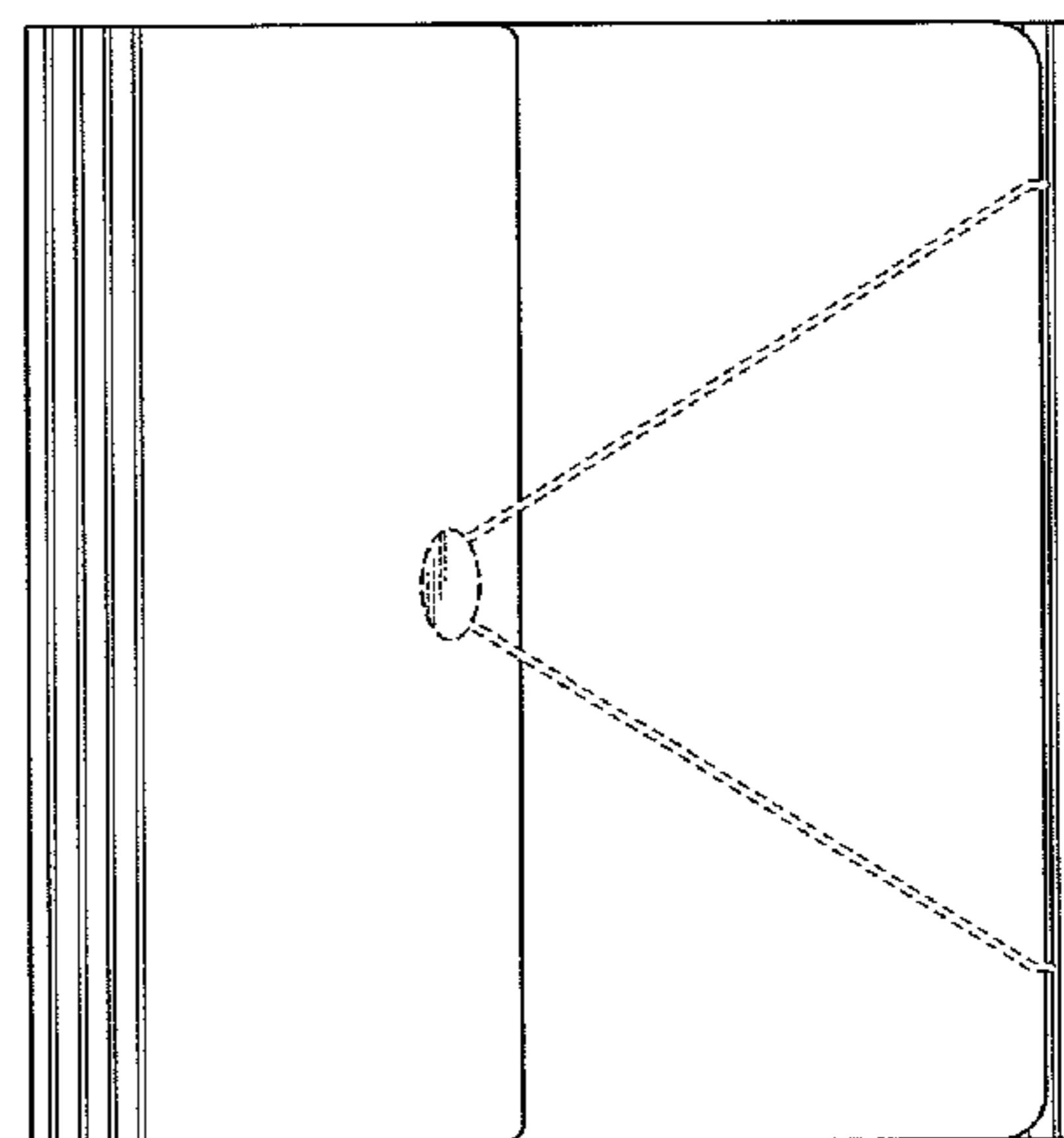
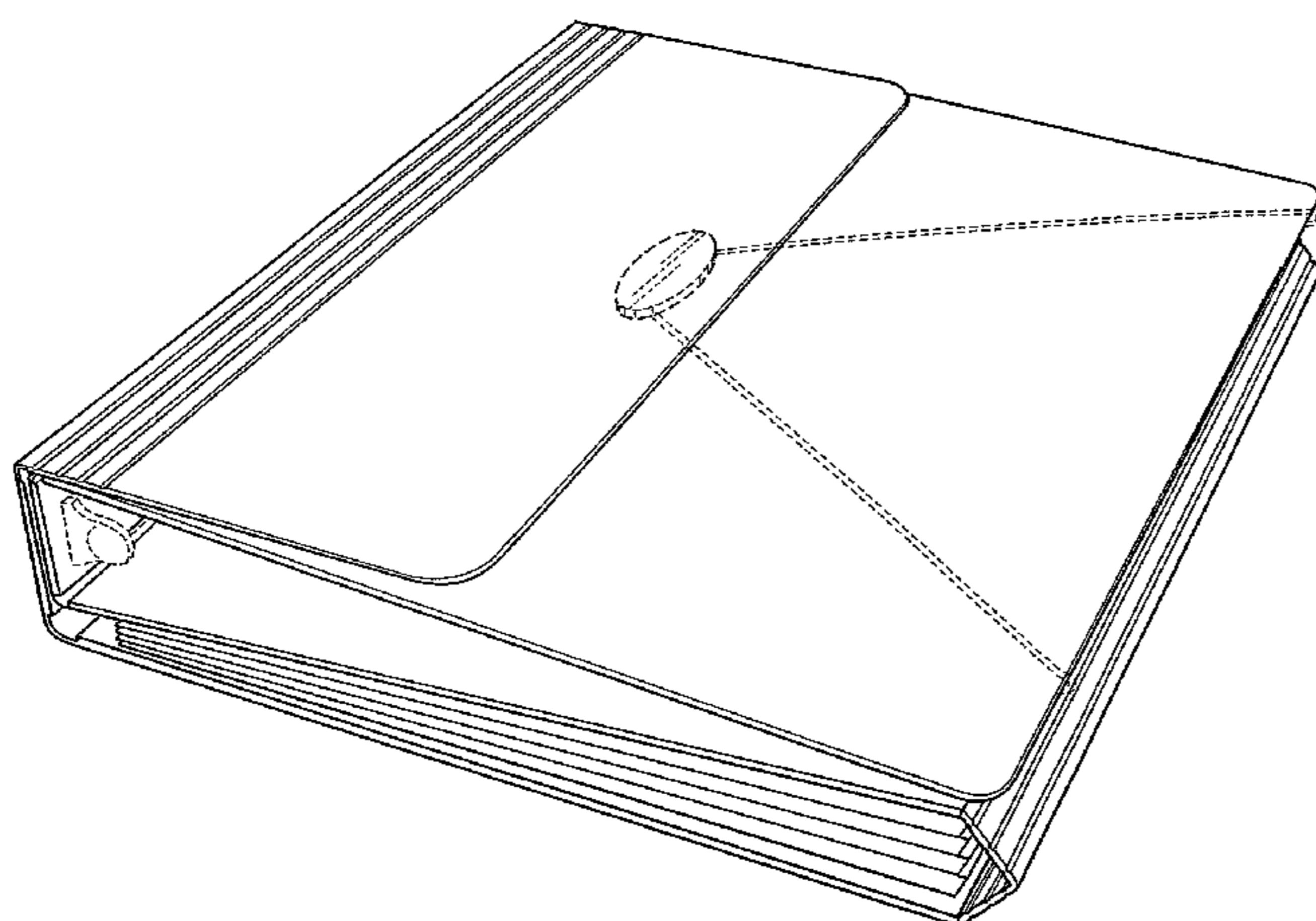
FIG. 5' is an side, elevational view of a document organizer; and,

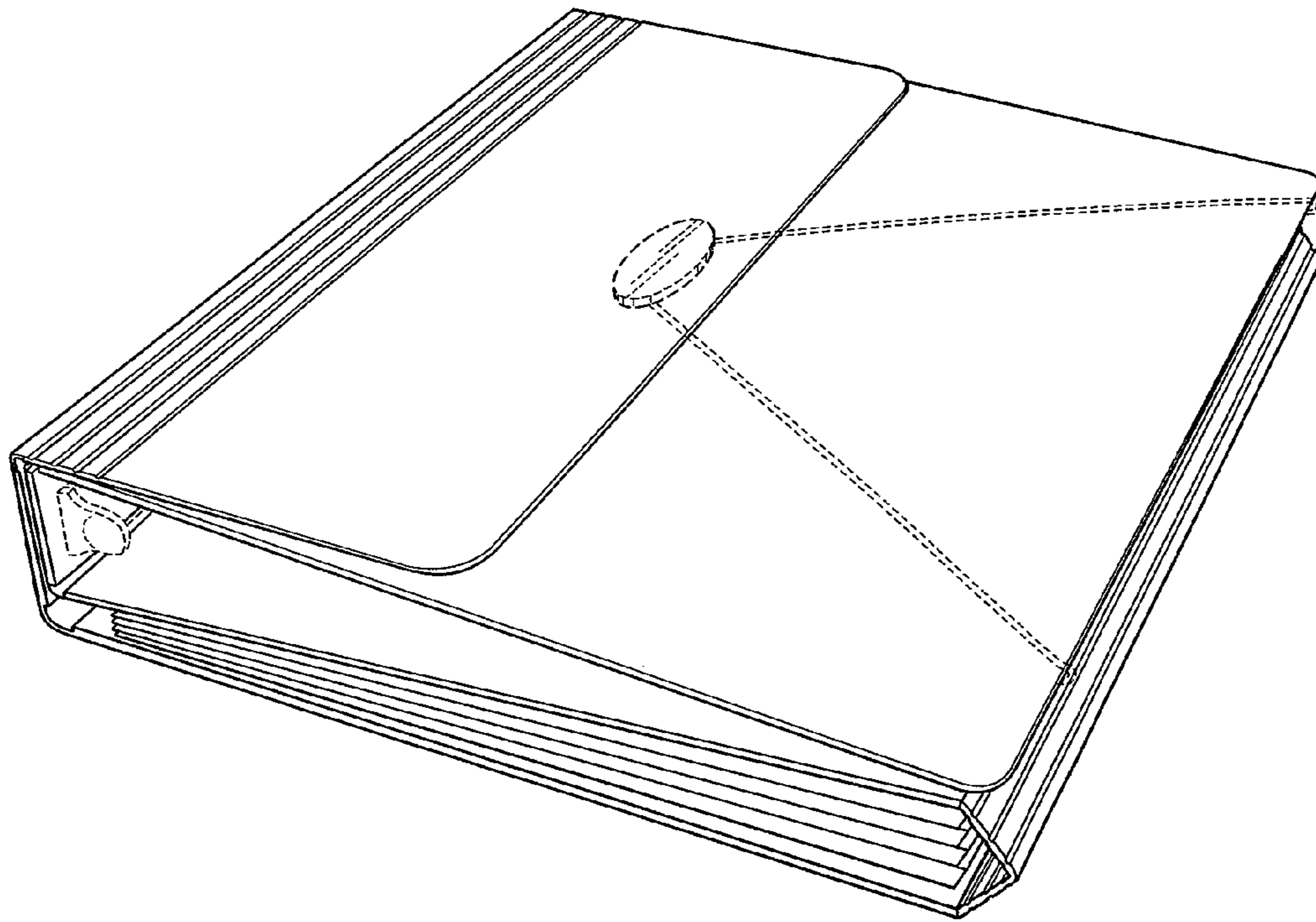
FIG. 6' is an end elevational view of a document organizer.

The opposing end, elevational view mirrors the view shown.

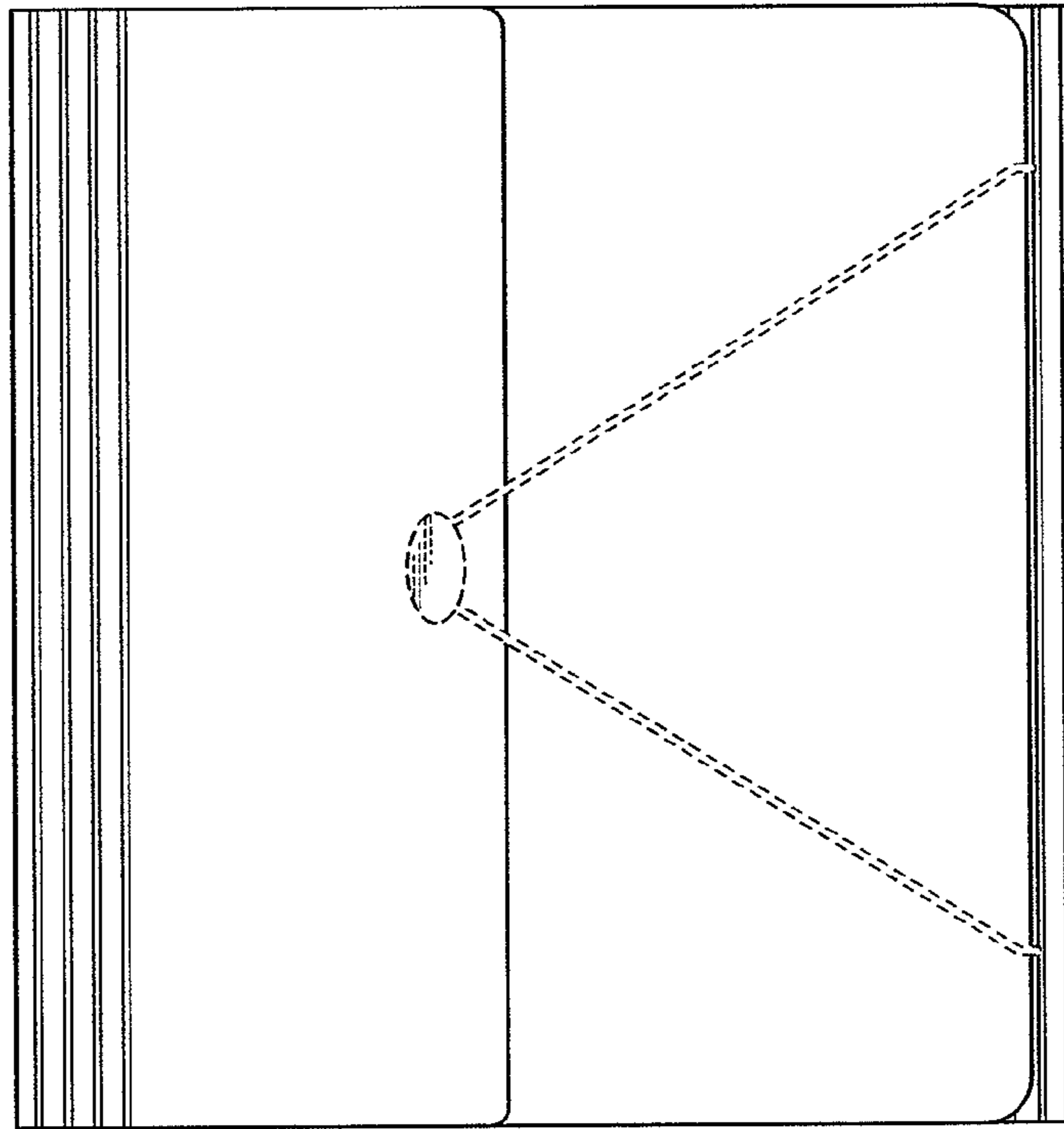
The broken lines shown in the drawings represent unclaimed portions of the document organizer and form no part of the claimed design.

**1 Claim, 3 Drawing Sheets**

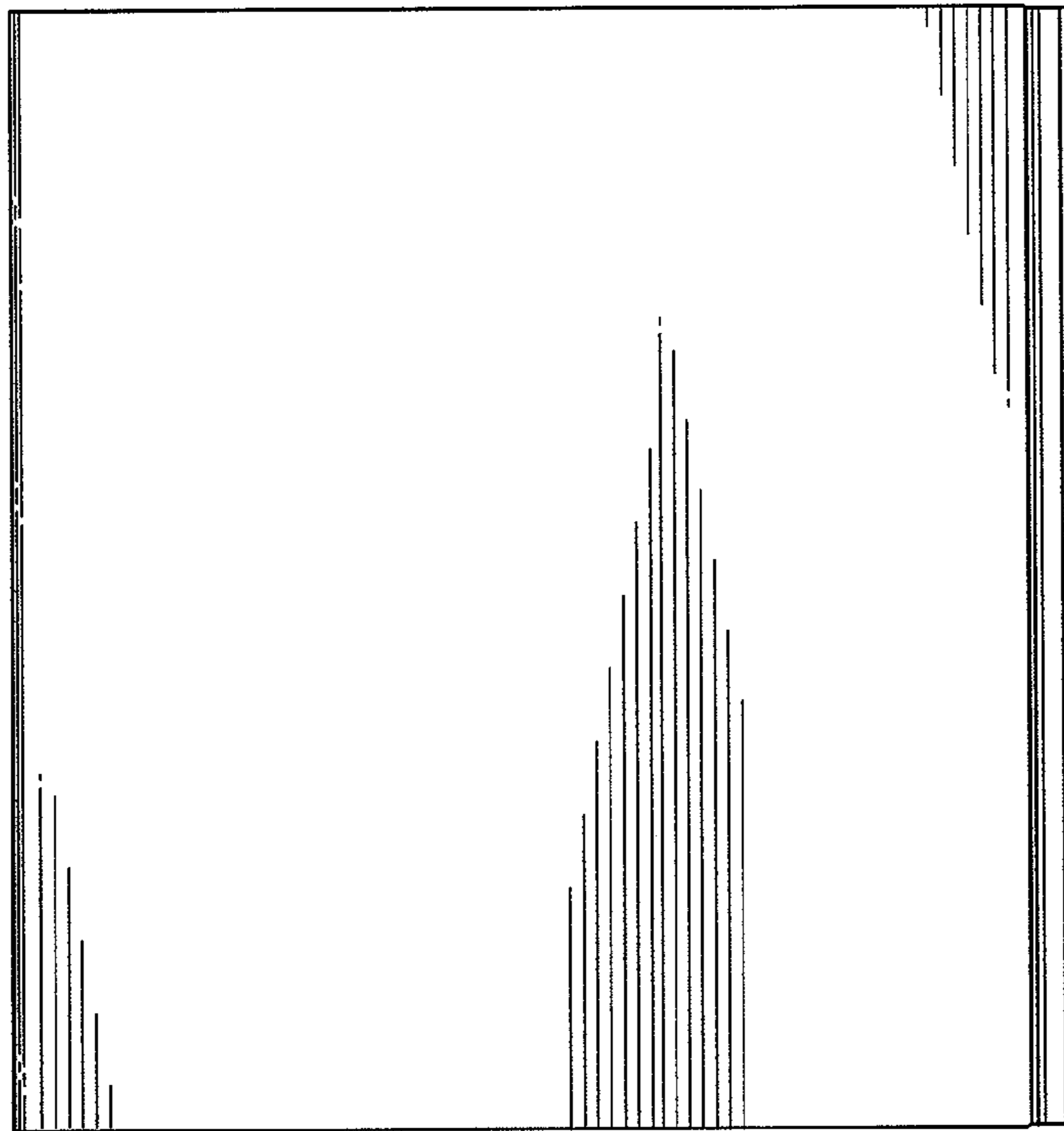




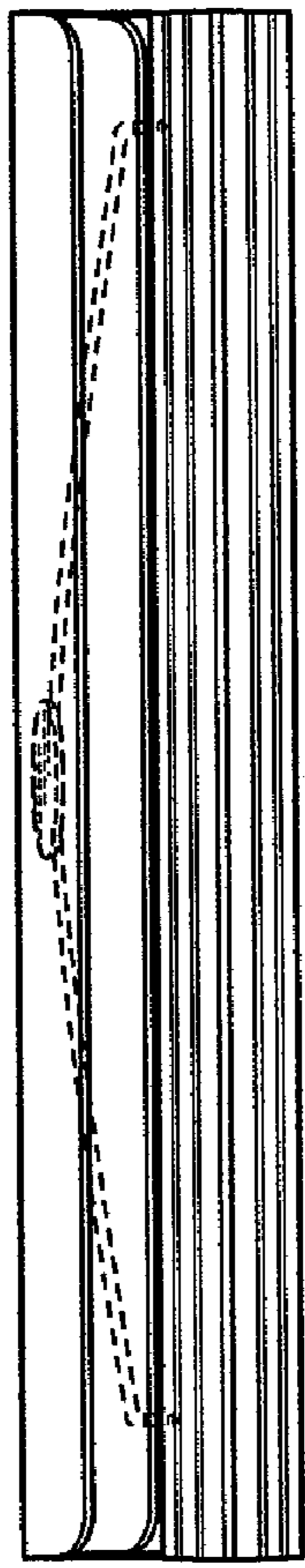
*Fig. 1*



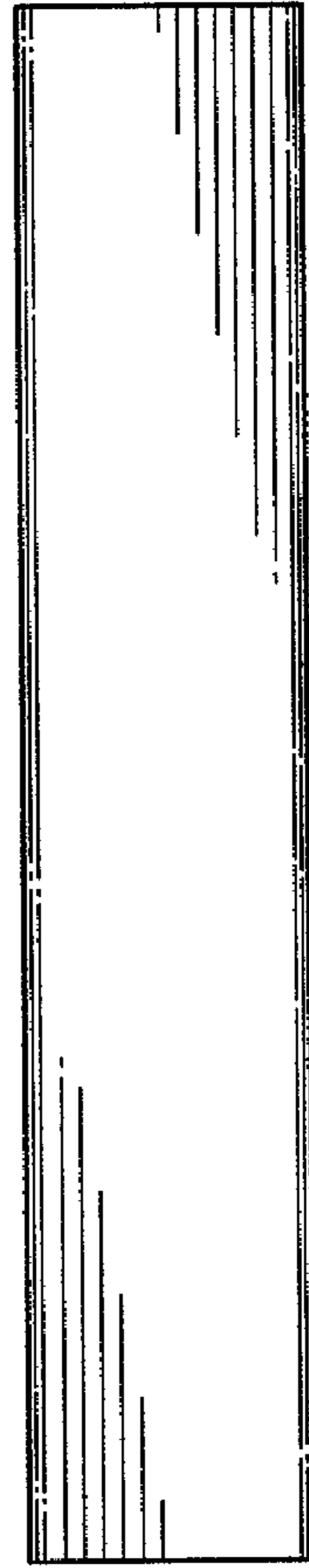
*Fig. 2'*



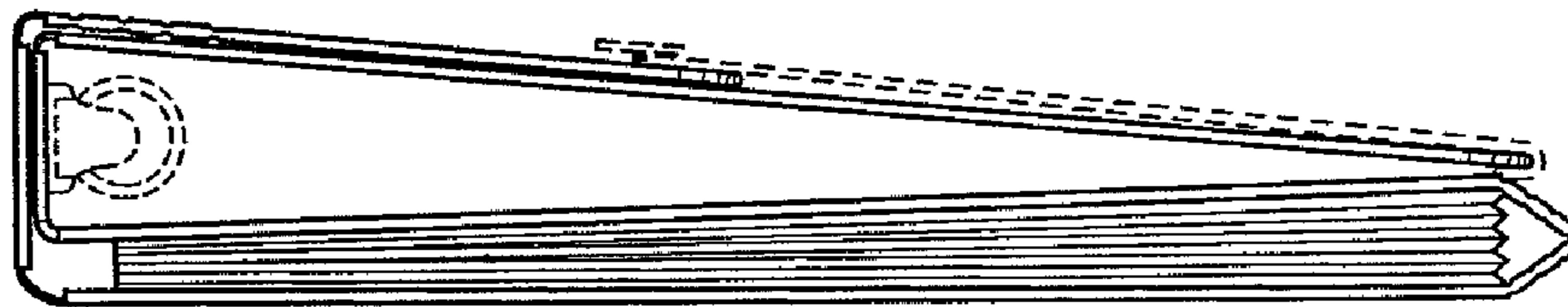
*Fig. 3'*



*Fig. 4'*



*Fig. 5'*



*Fig. 6'*