



US00D618275S

(12) **United States Design Patent**  
**Wing et al.**

(10) **Patent No.:** **US D618,275 S**

(45) **Date of Patent:** **\*\* Jun. 22, 2010**

(54) **PAPER SHREDDER**

7,635,102 B2 \* 12/2009 Matlin et al. .... 241/100

(75) Inventors: **Lau Hee Wing**, Kowloon (HK); **Leon Kuo Liang Yoong**, Wheelers Hill (AU); **Lam Kwok Fan**, Kowloon (HK)

\* cited by examiner

*Primary Examiner*—Charles A Rademaker

(74) *Attorney, Agent, or Firm*—Fay Sharpe LLP

(73) Assignee: **Royal Appliance Mfg. Co.**, Glenwillow, OH (US)

(57) **CLAIM**

(\*\*) Term: **14 Years**

The ornamental design for a paper shredder, as shown and described.

(21) Appl. No.: **29/328,174**

**DESCRIPTION**

(22) Filed: **Nov. 20, 2008**

FIG. 1 is a perspective view of a paper shredder showing our new design;

(51) **LOC (9) Cl.** ..... **18-03**

FIG. 2 is a front elevational view thereof;

(52) **U.S. Cl.** ..... **D18/34.5**

FIG. 3 is a right side elevational view thereof, with the left side elevational view being a mirror image thereof;

(58) **Field of Classification Search** ..... D18/34.1–34.9; 241/100, 236, 101.78, 36; 83/613, 614, 623, 83/485, 57–68; 30/294, 296.1, 275.4, 276

FIG. 4 is a rear elevational view thereof;

See application file for complete search history.

FIG. 5 is a top plan view thereof;

(56) **References Cited**

FIG. 6 is a bottom plan view thereof;

**U.S. PATENT DOCUMENTS**

FIG. 7 is a perspective view of a modified embodiment of the design shown in FIGS. 1 through 6; our new design;

D437,343 S \* 2/2001 Ho ..... D18/34.6

FIG. 8 is a front elevational view thereof;

D498,252 S \* 11/2004 Lo ..... D18/34.6

FIG. 9 is a right side elevational view thereof, with a left side elevational view being a mirror image thereof;

D502,729 S \* 3/2005 Lo ..... D18/34.5

FIG. 10 is a rear elevational view thereof;

D531,659 S \* 11/2006 Lo ..... D18/34.5

FIG. 11 is a top plan view thereof; and,

D532,444 S \* 11/2006 Kao et al. .... D18/34.4

FIG. 12 is a bottom plan view thereof.

D546,872 S \* 7/2007 Kent et al. .... D18/34.5

The broken lines shown in the drawings illustrate structural environment and form no part of the claimed design.

D547,366 S \* 7/2007 Kent et al. .... D18/34.5

D557,735 S \* 12/2007 Ho ..... D18/34.6

D558,257 S \* 12/2007 Joachim et al. .... D18/34.6

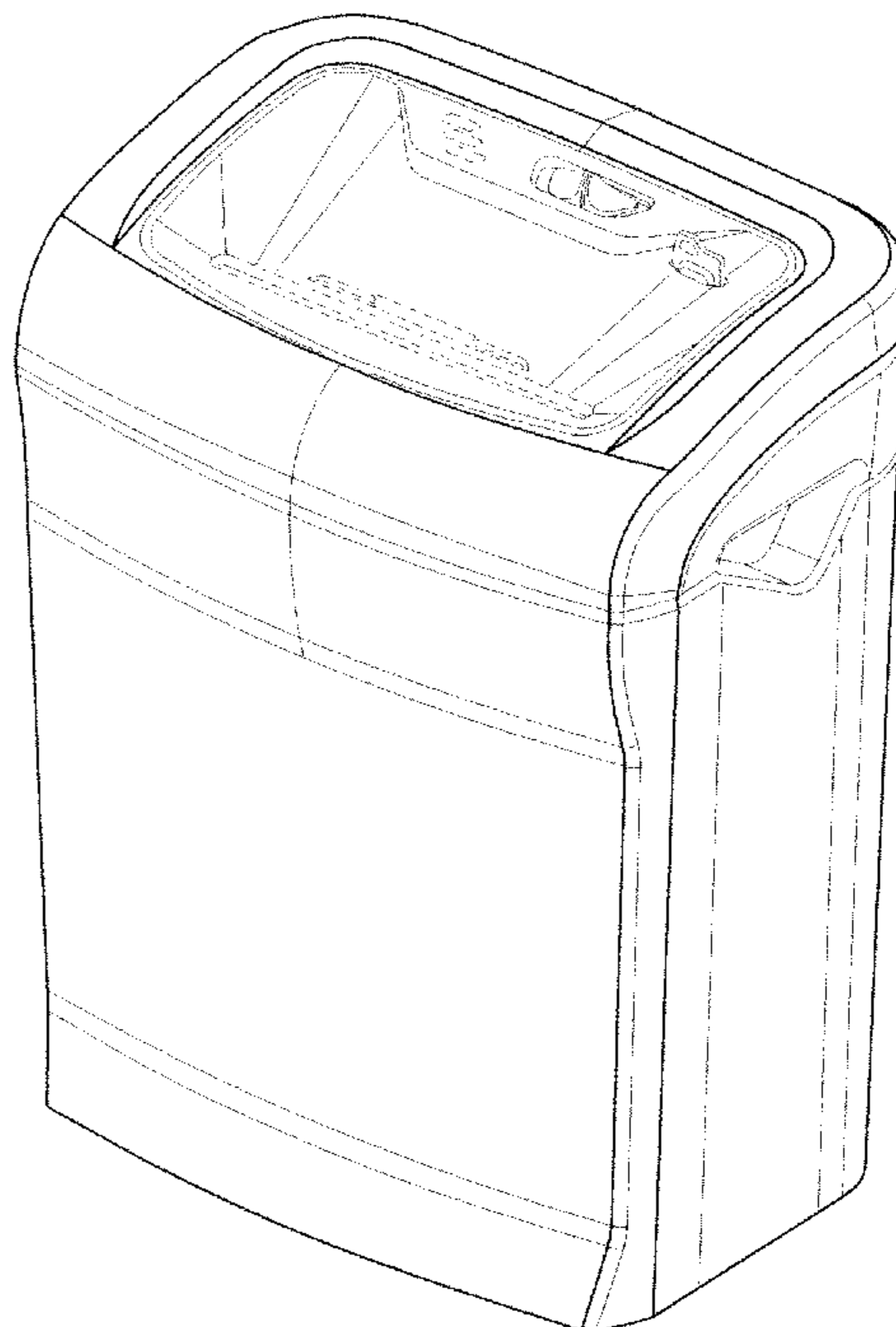
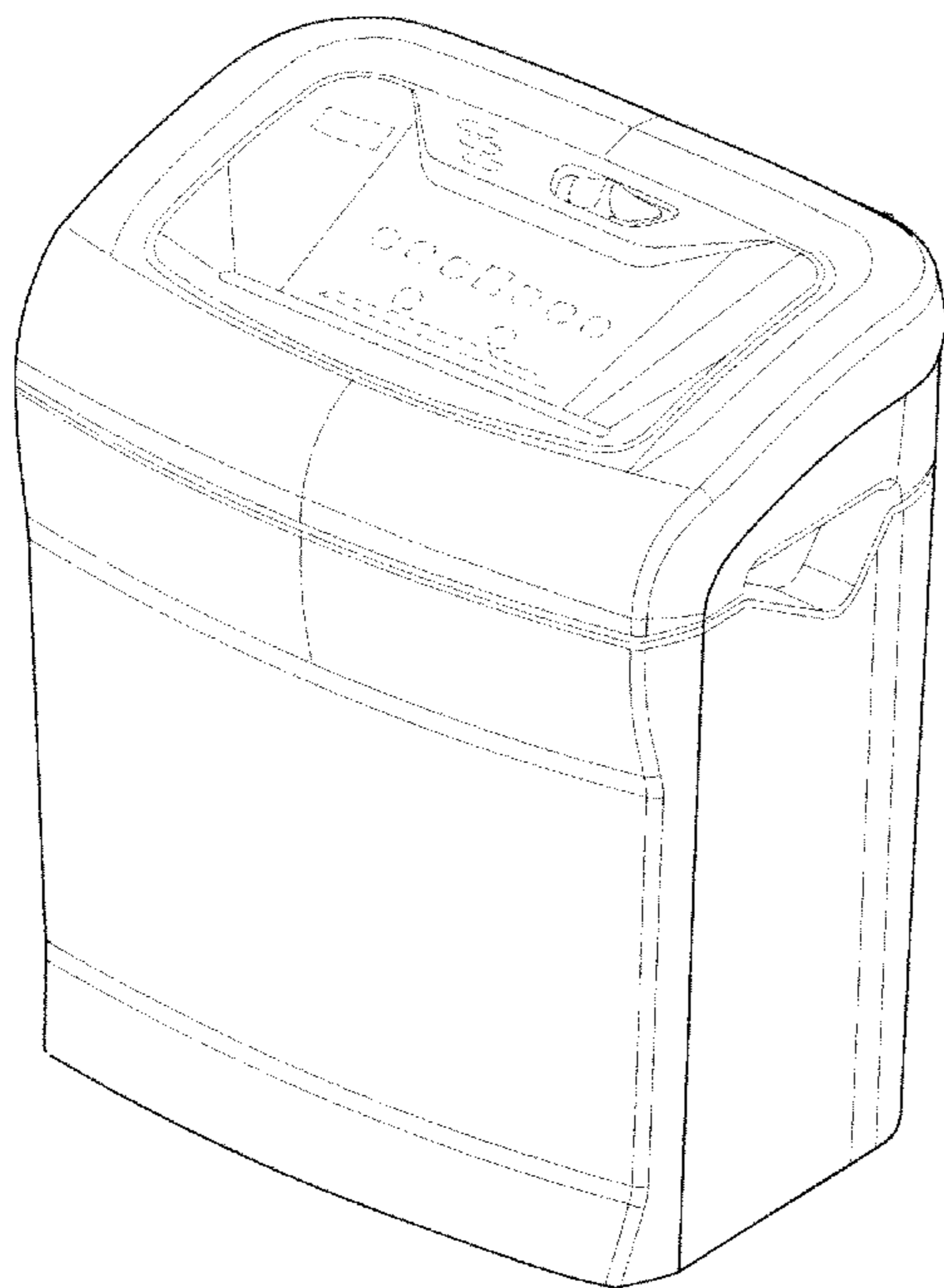
D580,480 S \* 11/2008 Sued et al. .... D18/34.5

D586,846 S \* 2/2009 Kent et al. .... D18/34.5

D602,982 S \* 10/2009 Kit et al. .... D18/34.5

7,604,187 B1 \* 10/2009 Lo ..... 241/100

**1 Claim, 6 Drawing Sheets**



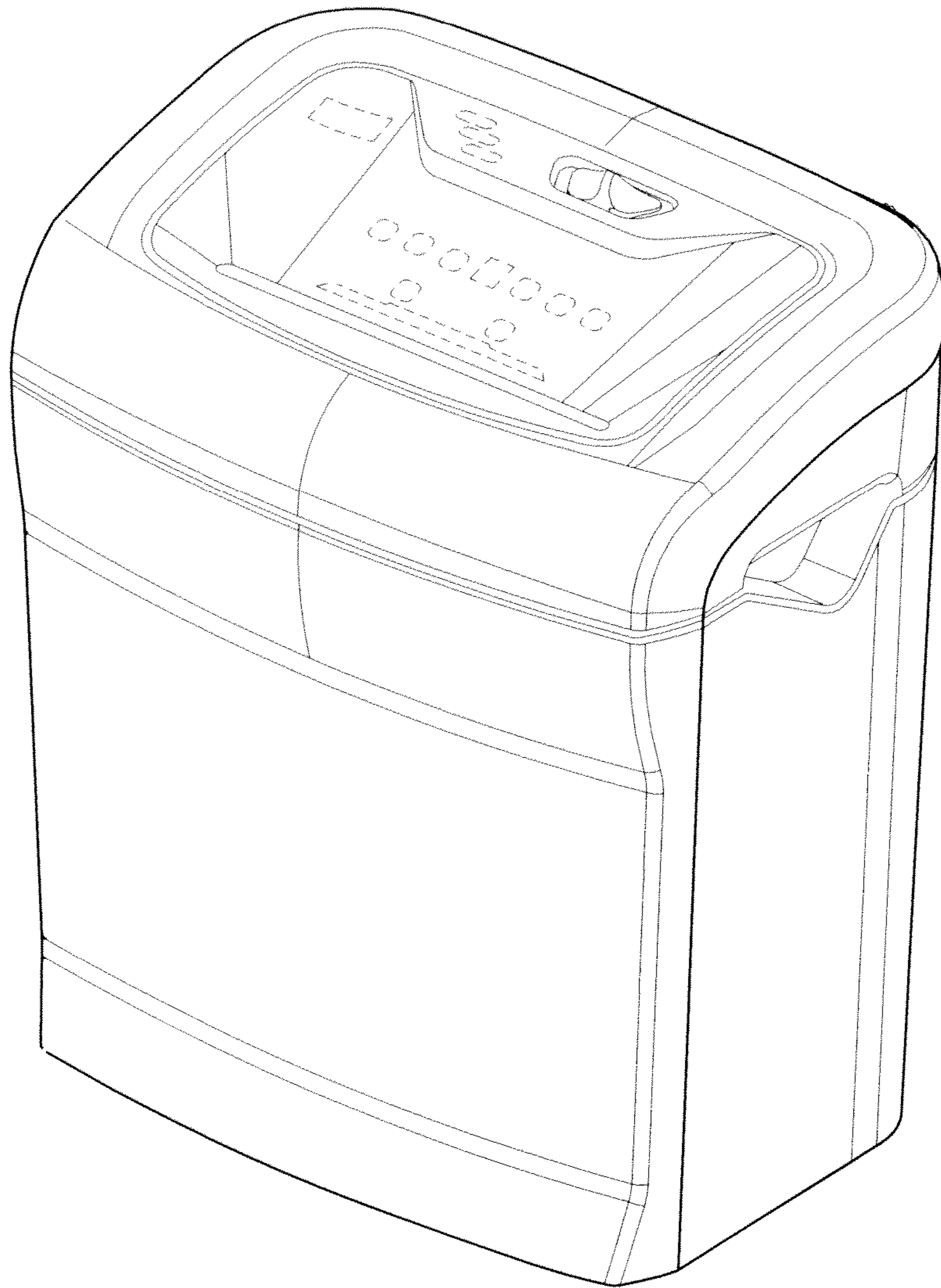


FIG. 1

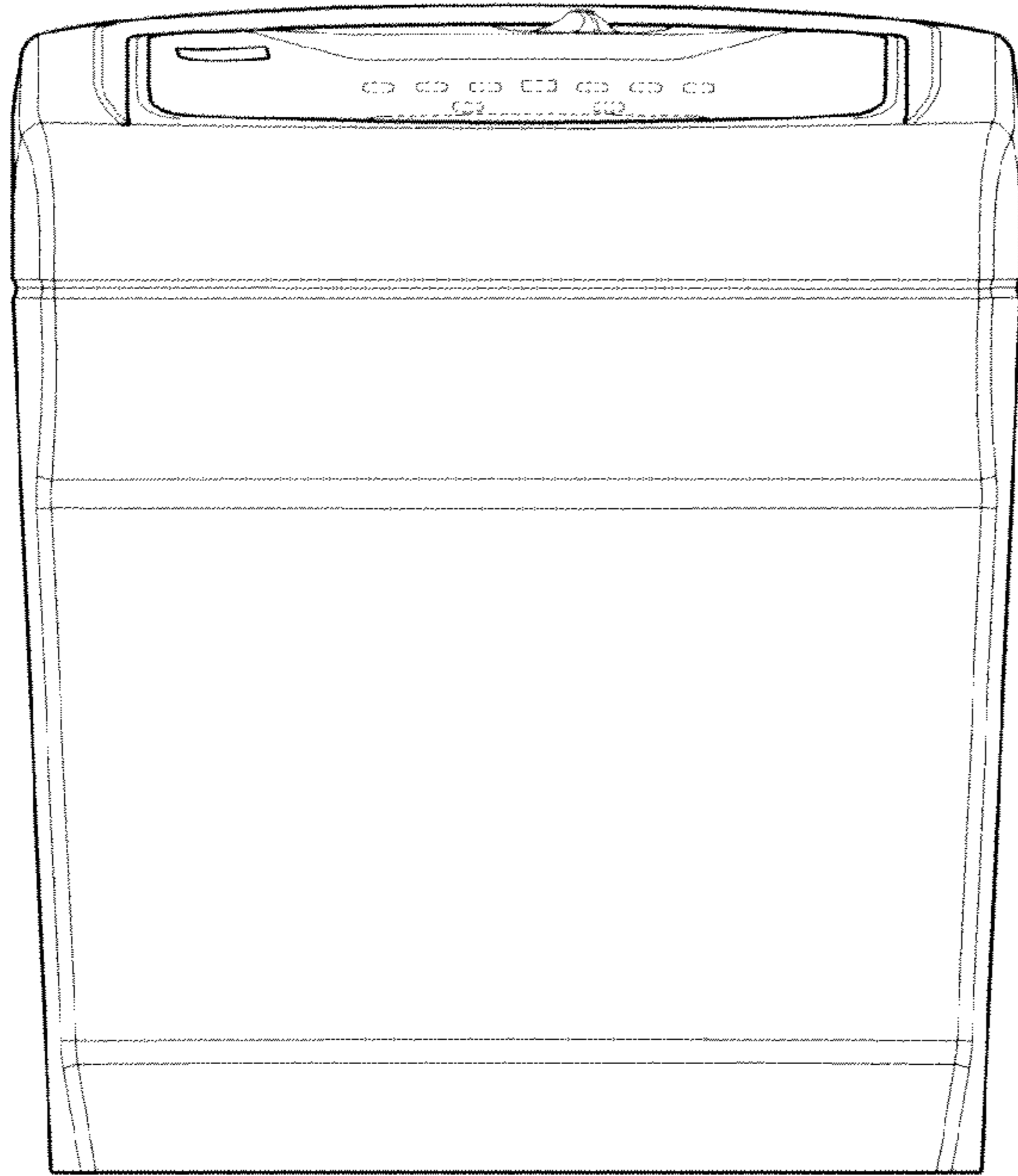


FIG. 2

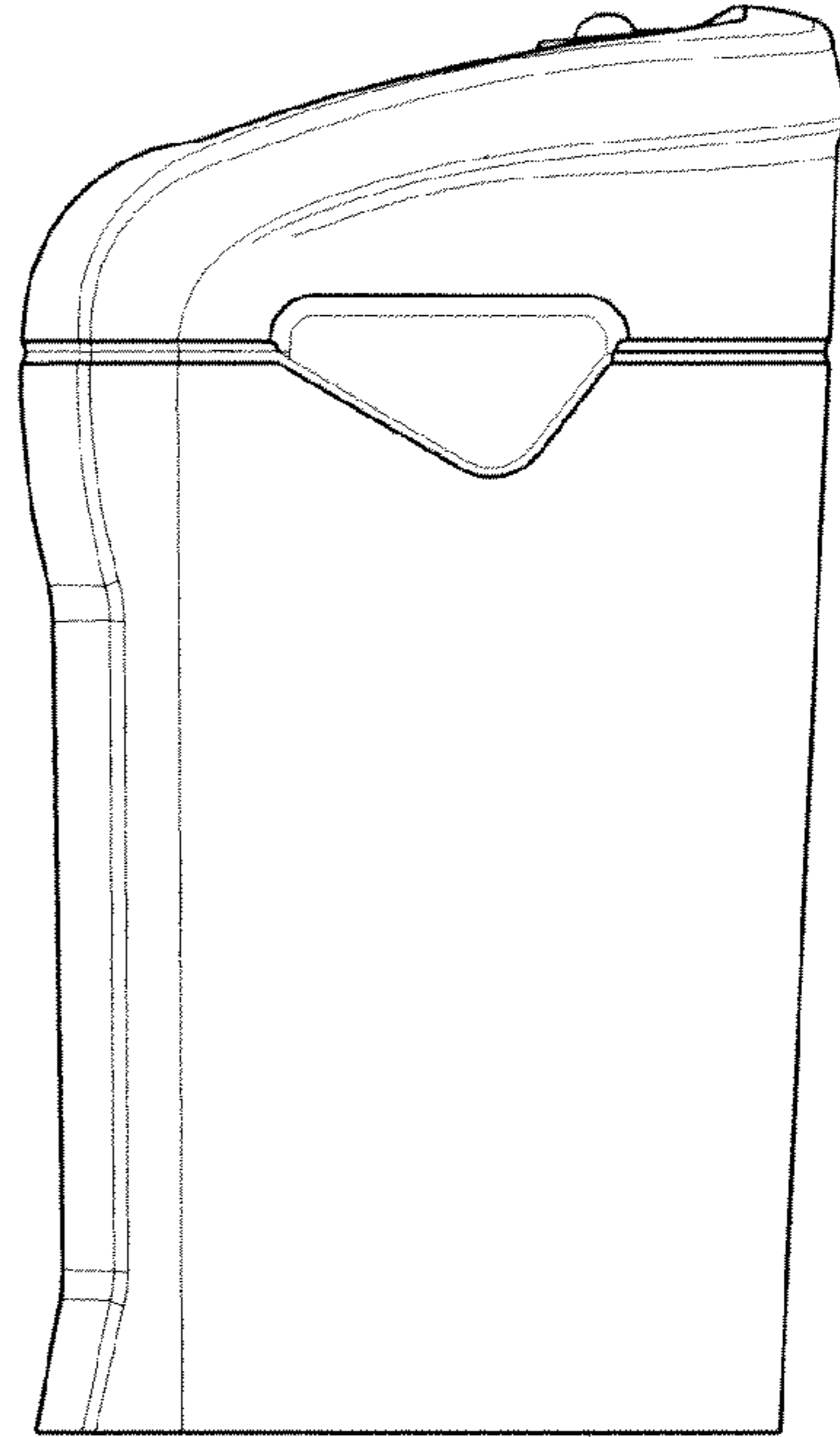
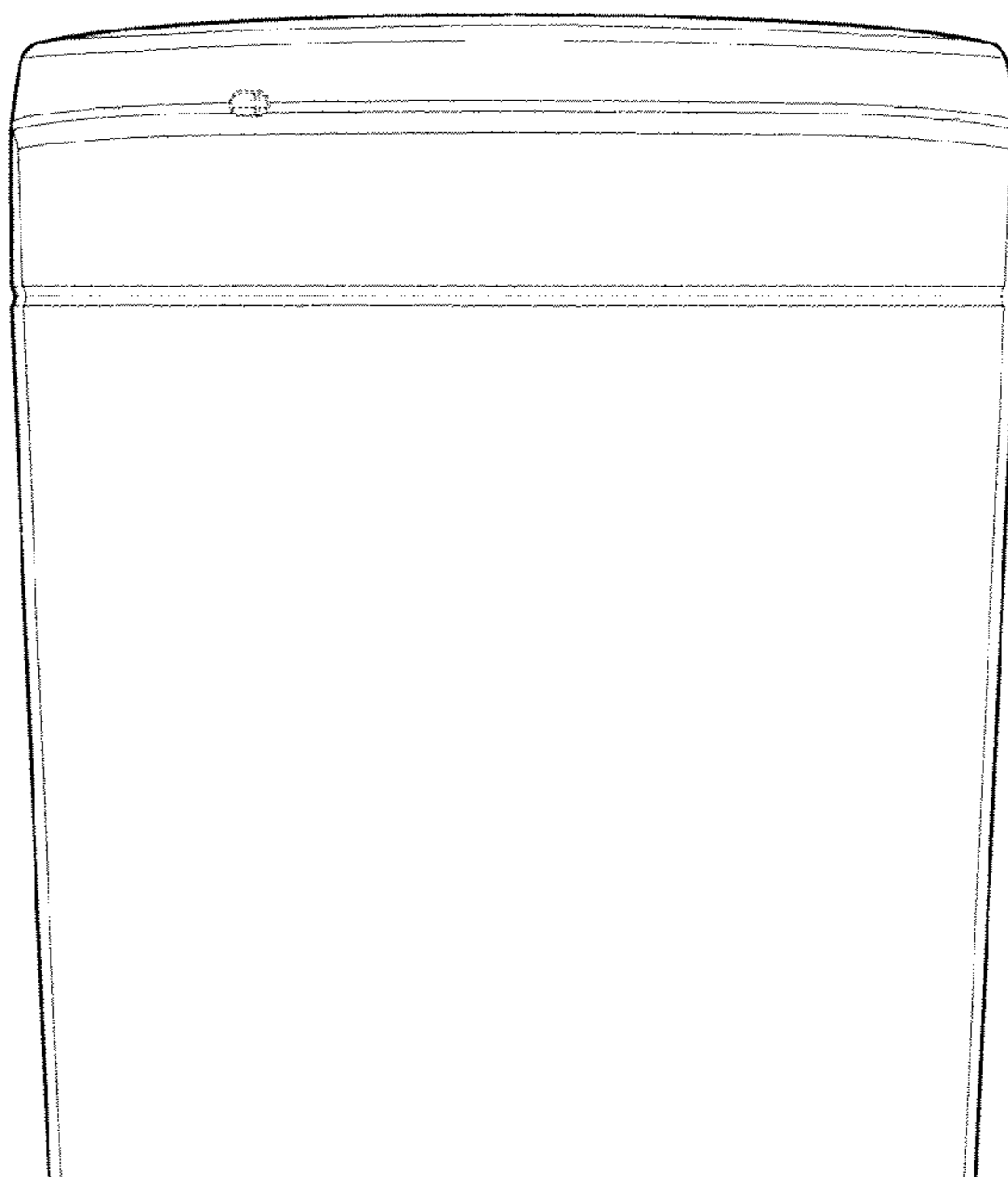


FIG. 3

FIG. 4



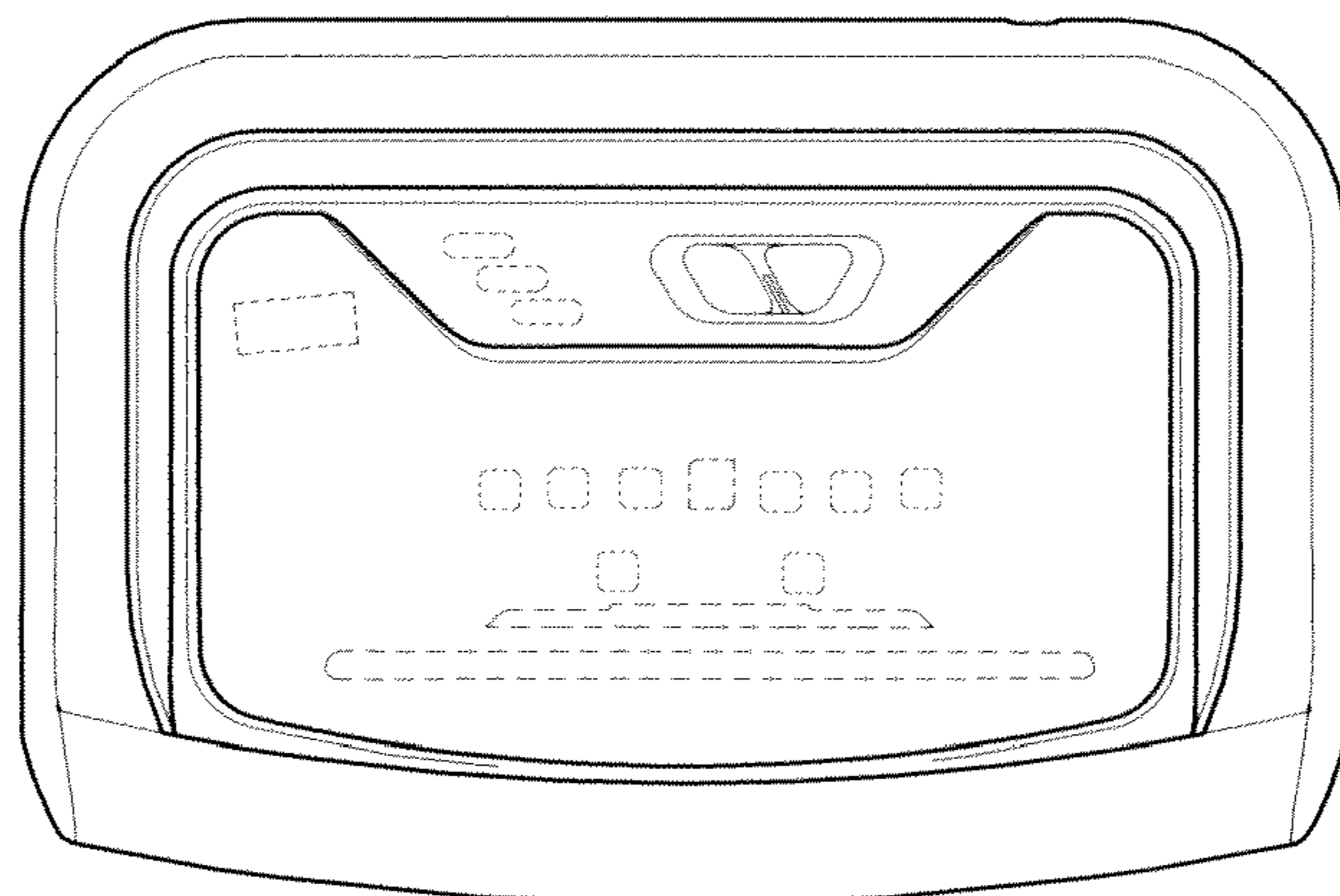


FIG. 5

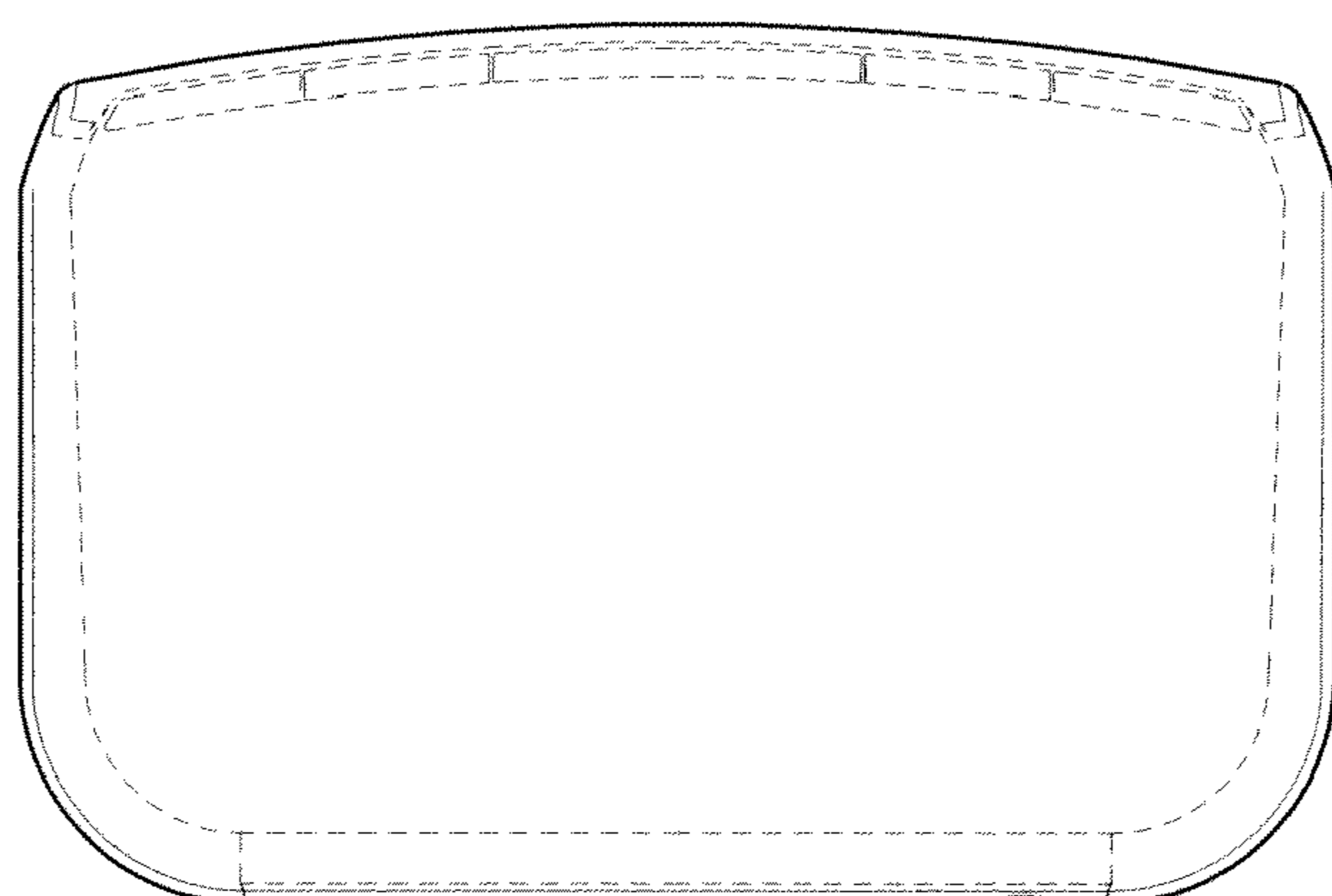


FIG. 6



FIG. 7

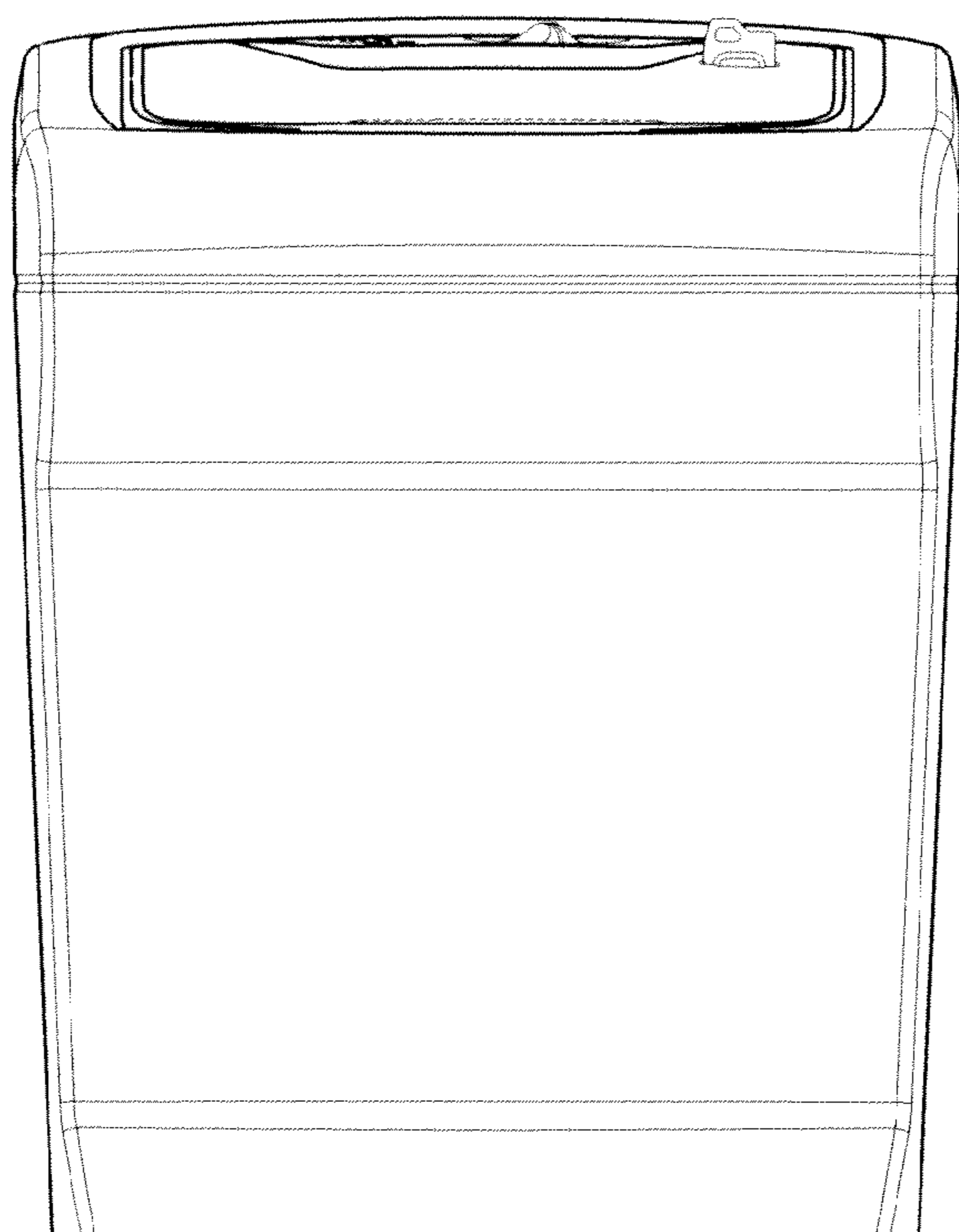


FIG. 8

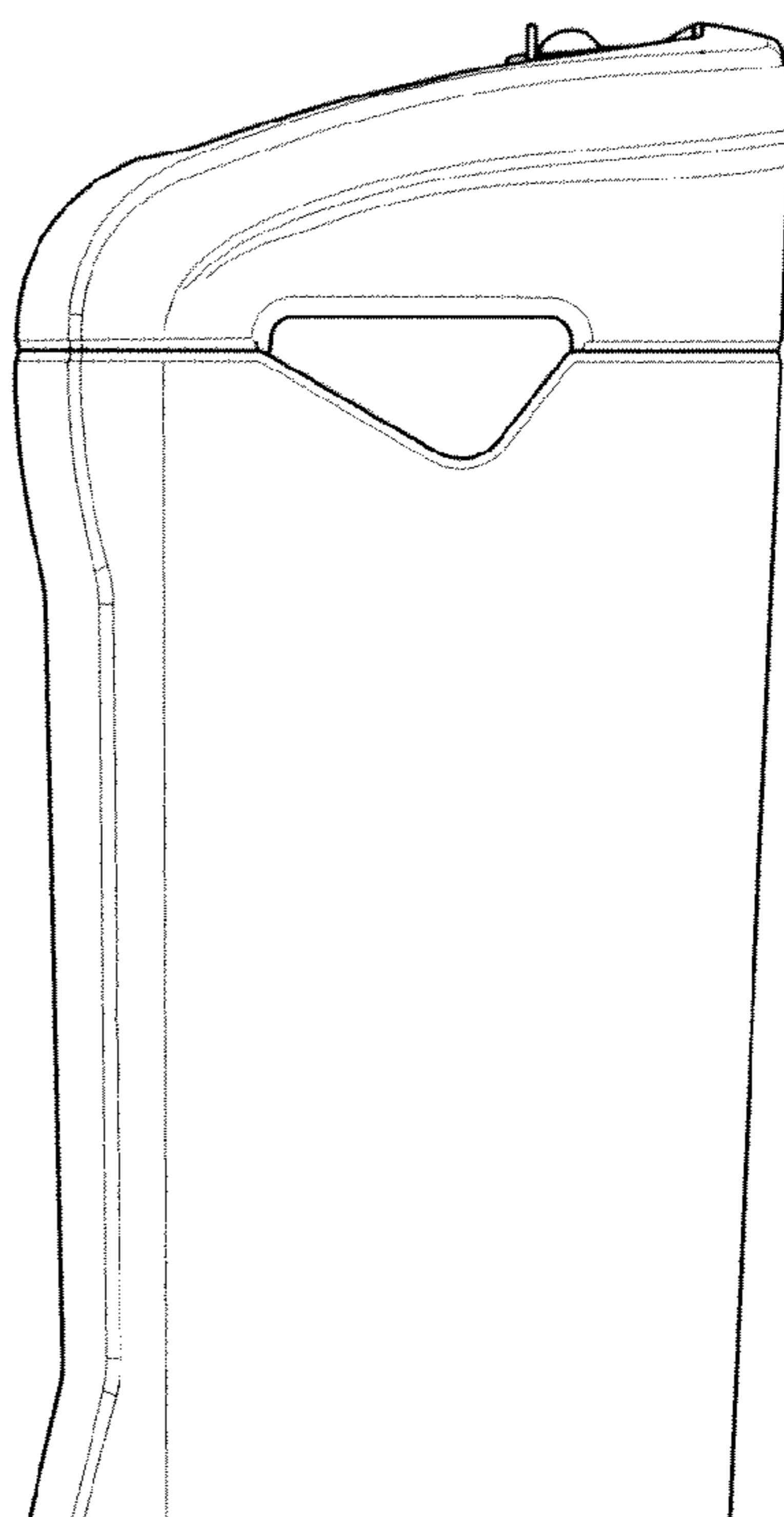
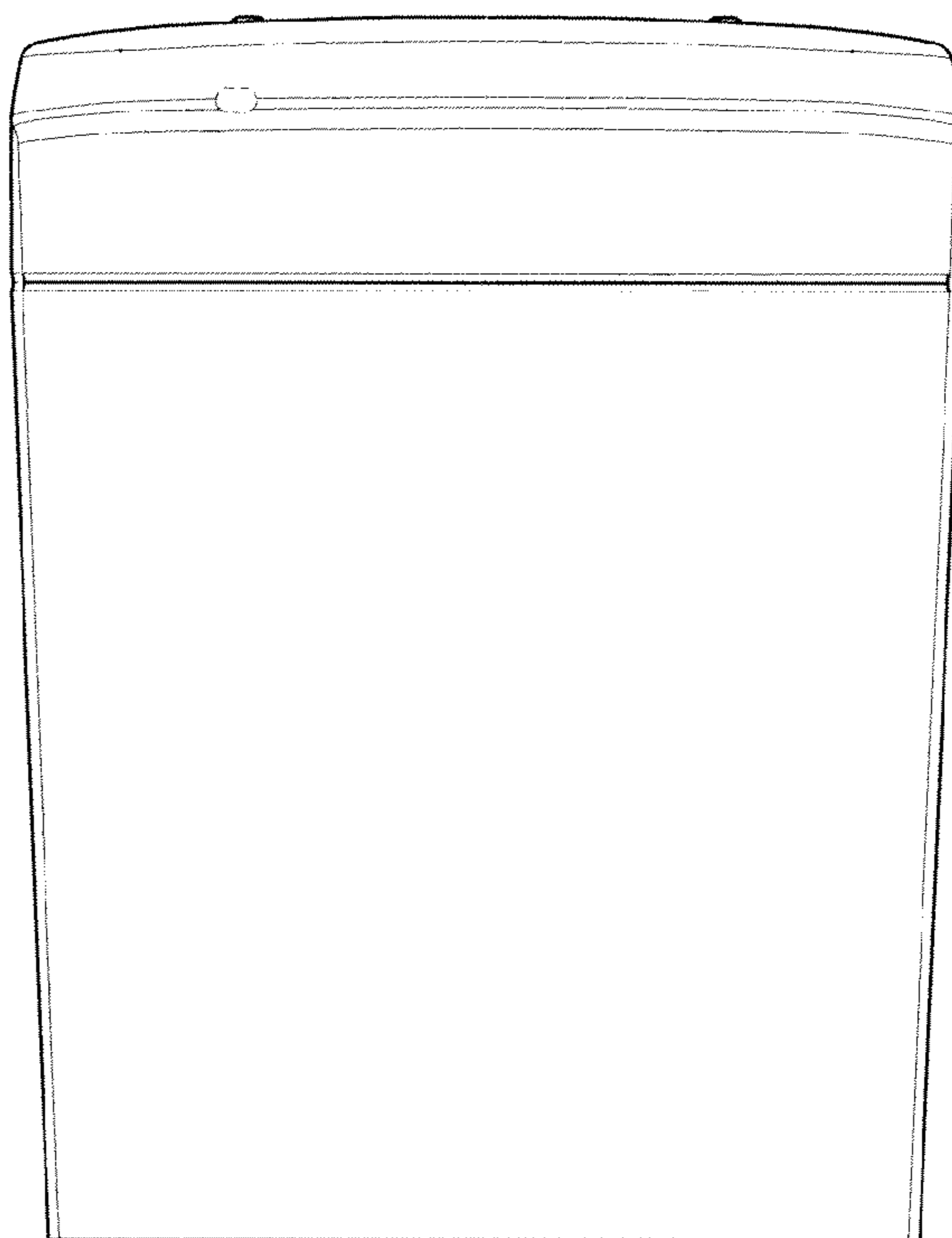


FIG. 9

FIG. 10



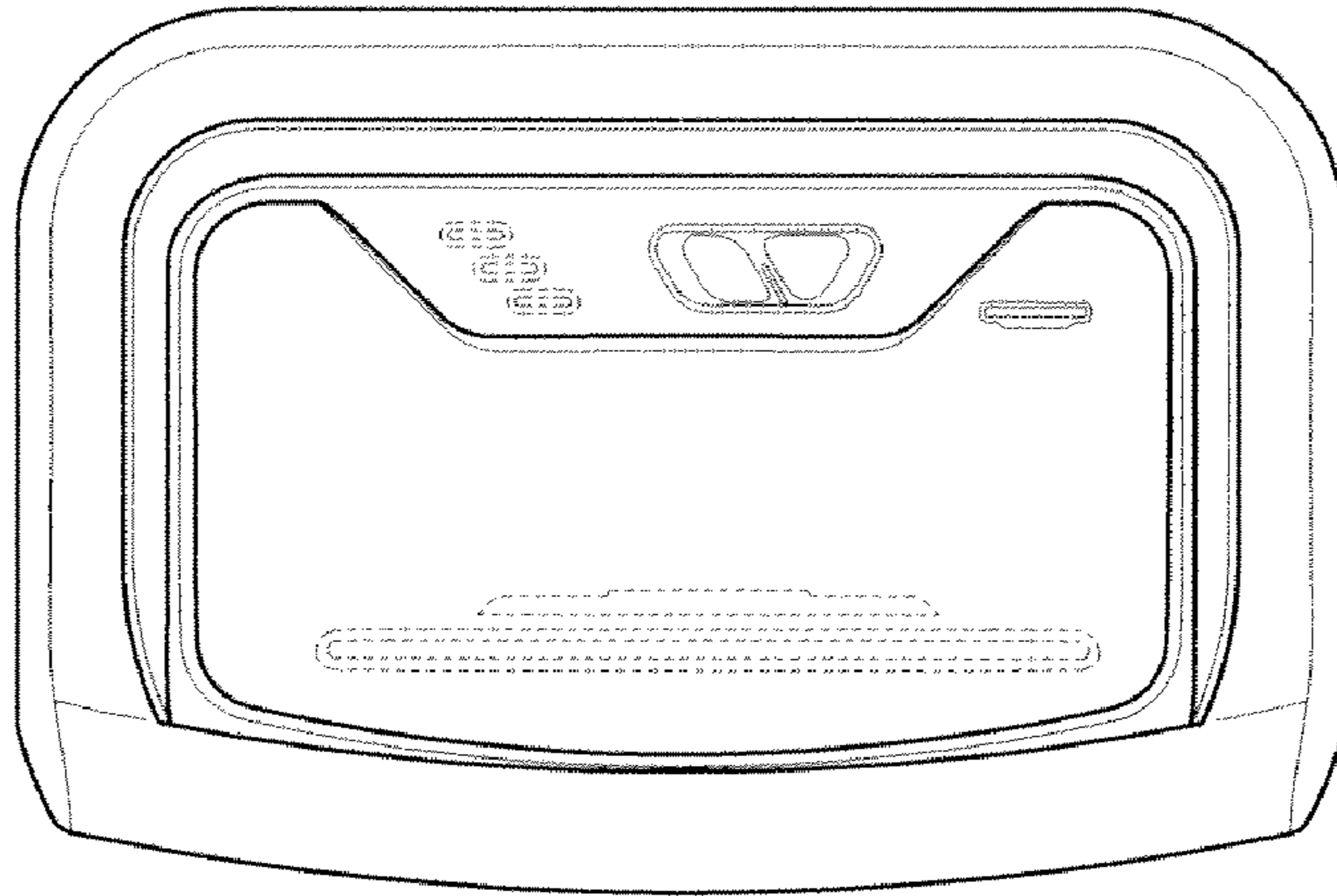


FIG. 11

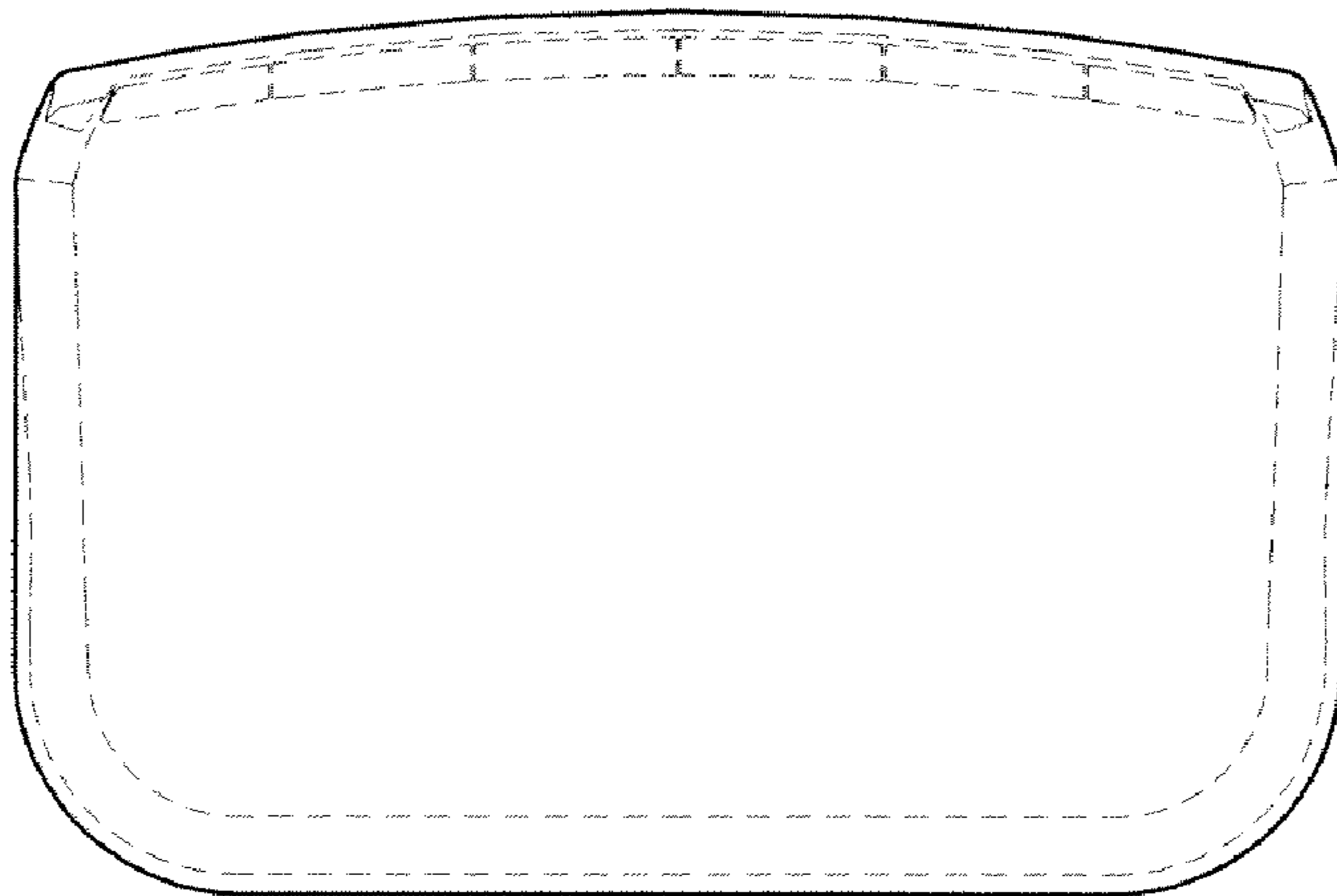


FIG. 12