



US00D618273S

(12) **United States Design Patent**  
**Sato**

(10) **Patent No.:** **US D618,273 S**  
(45) **Date of Patent:** **\*\* Jun. 22, 2010**

(54) **CONTROLLER OF A CASH REGISTER FOR  
A POINT OF SALES TERMINAL**

(75) Inventor: **Shigeru Sato**, Kanagawa-ken (JP)

(73) Assignee: **Toshiba Tec Kabushiki Kaisha**, Tokyo (JP)

(\*\*) Term: **14 Years**

(21) Appl. No.: **29/340,425**

(22) Filed: **Jul. 17, 2009**

(30) **Foreign Application Priority Data**

Jan. 29, 2009 (JP) ..... 2009-001756

(51) **LOC (9) Cl.** ..... **18-01**

(52) **U.S. Cl.** ..... **D18/4.4**

(58) **Field of Classification Search** ..... D14/218,  
D14/314, 336, 341-348, 371-376, 387, 440,  
D14/441; D18/1, 2, 3.1-3.3, 4.1-4.6, 5-12,  
D18/12.1-12.3; D21/324, 329, 332, 512;  
D99/28, 34-38, 40; 235/1 E, 2, 7 R, 12,  
235/22, 33, 51, 52, 58 R, 59 A, 59 BC-59 BH,  
235/59 CP, 59 T, 59 TP, 61 R

See application file for complete search history.

(56) **References Cited**

**U.S. PATENT DOCUMENTS**

D333,126 S \* 2/1993 Kuba et al. .... D14/348  
D374,028 S \* 9/1996 Sato ..... D18/12.1  
D402,286 S \* 12/1998 Poole et al. .... D14/441

D423,469 S \* 4/2000 Takizawa et al. .... D14/348  
D527,760 S \* 9/2006 Ono ..... D18/4.5  
D528,164 S \* 9/2006 Orcutt ..... D99/28  
D576,686 S \* 9/2008 Ashida et al. .... D21/332  
2006/0067043 A1 \* 3/2006 Kotani et al. .... 361/685

\* cited by examiner

*Primary Examiner*—Caron Veynar

*Assistant Examiner*—Garth Rademaker

(74) *Attorney, Agent, or Firm*—Fitch, Even, Tabin & Flannery

(57) **CLAIM**

I Claim the ornamental design for a controller of a cash register for a point of sales terminal, as shown and described.

**DESCRIPTION**

FIG. 1 is a front, top and right side perspective view of a controller of a cash register for a point of sales terminal, showing my new design;

FIG. 2 is a front elevational view thereof;

FIG. 3 is a rear elevational view thereof;

FIG. 4 is a top plan view thereof;

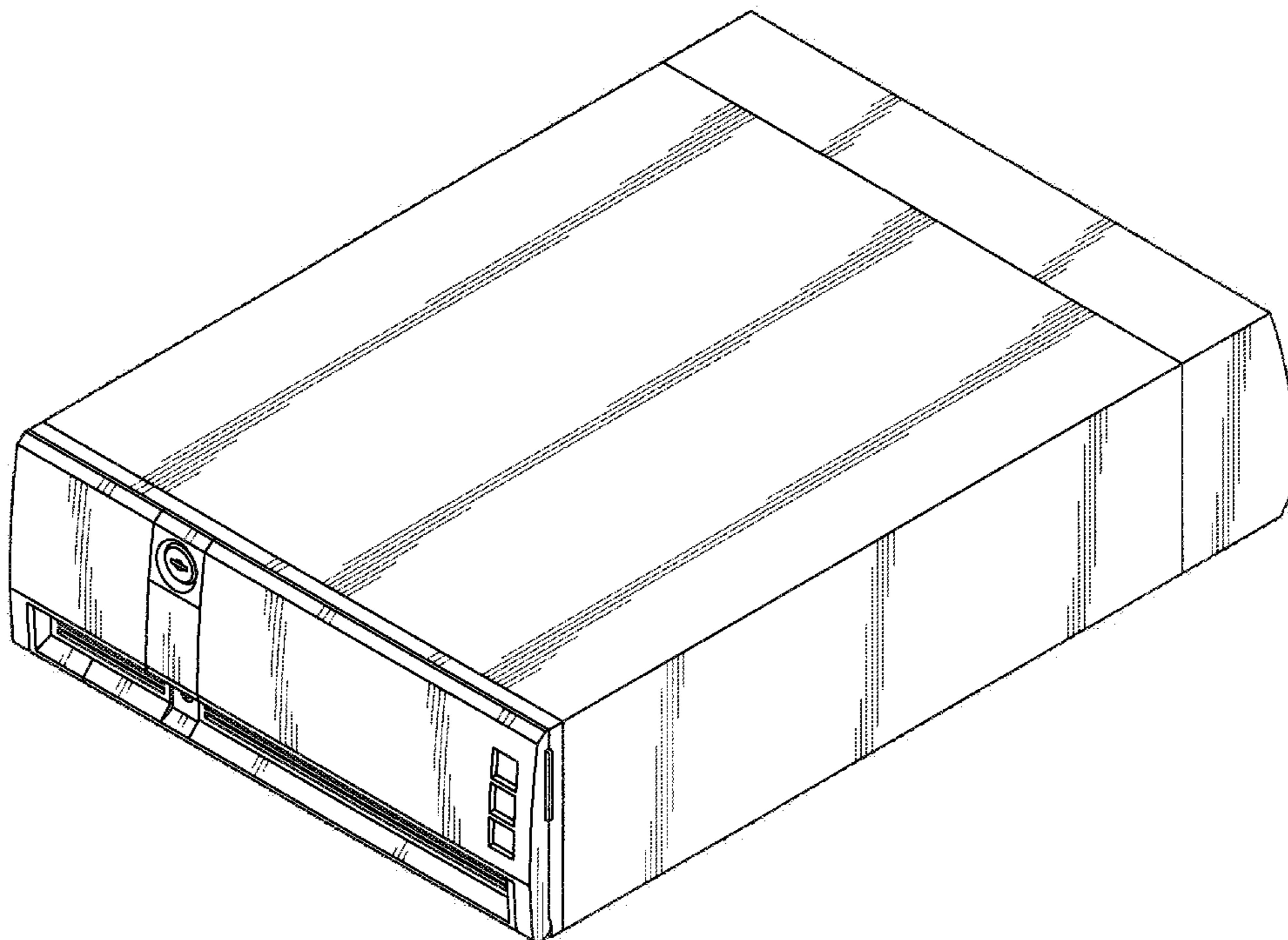
FIG. 5 is a bottom plan view thereof;

FIG. 6 is a right side elevational view thereof; and,

FIG. 7 is a left side elevational view thereof.

The broken lines depict environmental subject matter only and form no part of the claimed design.

**1 Claim, 5 Drawing Sheets**



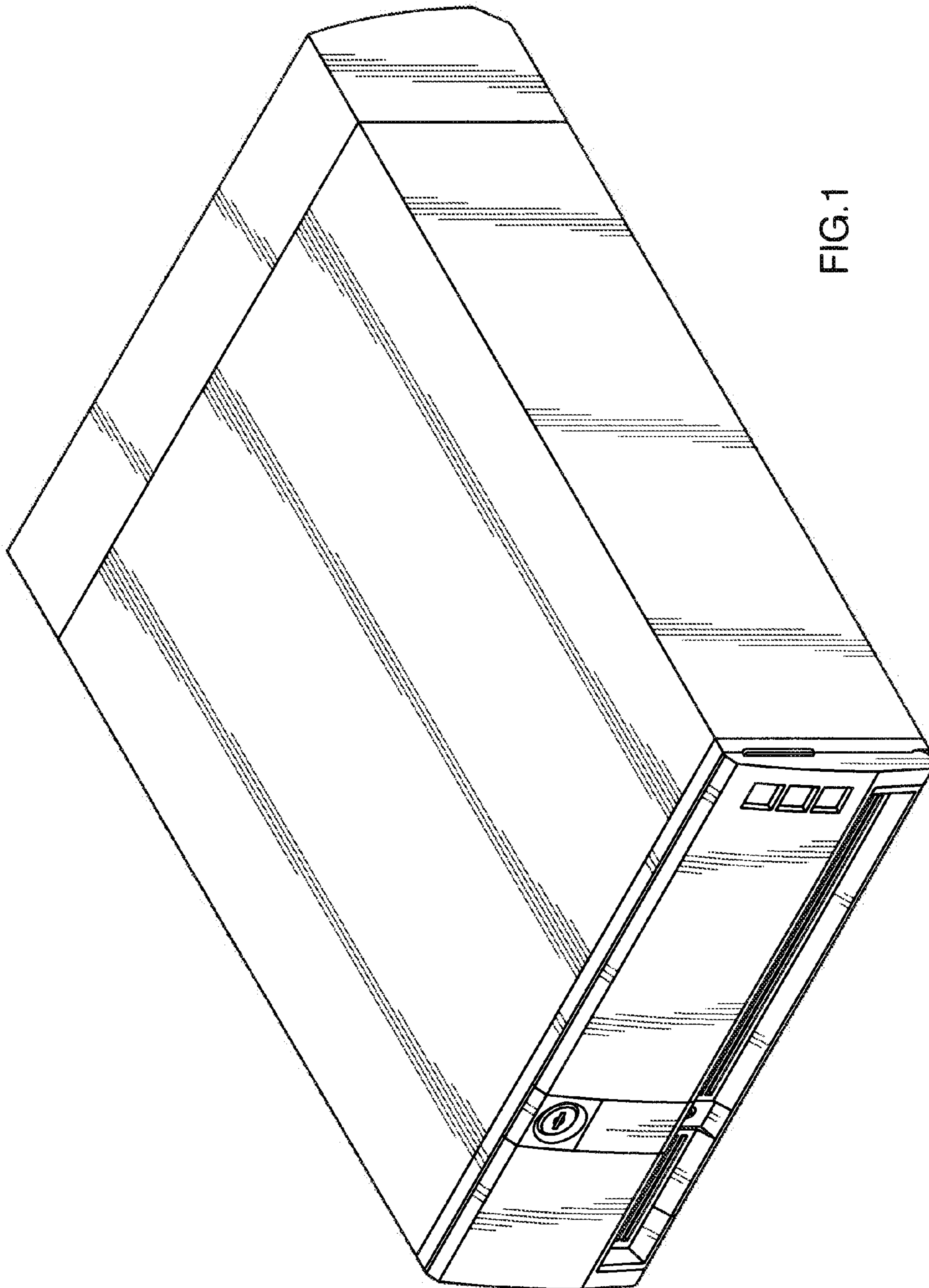


FIG.1

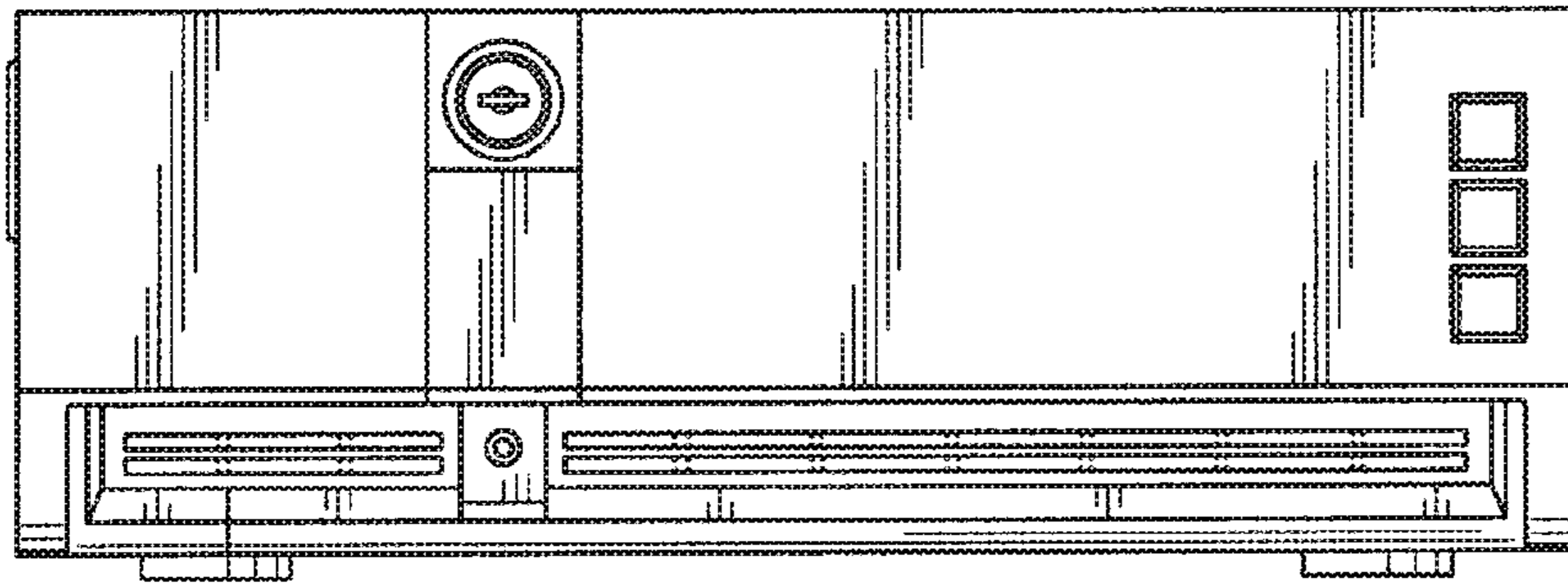


FIG. 2

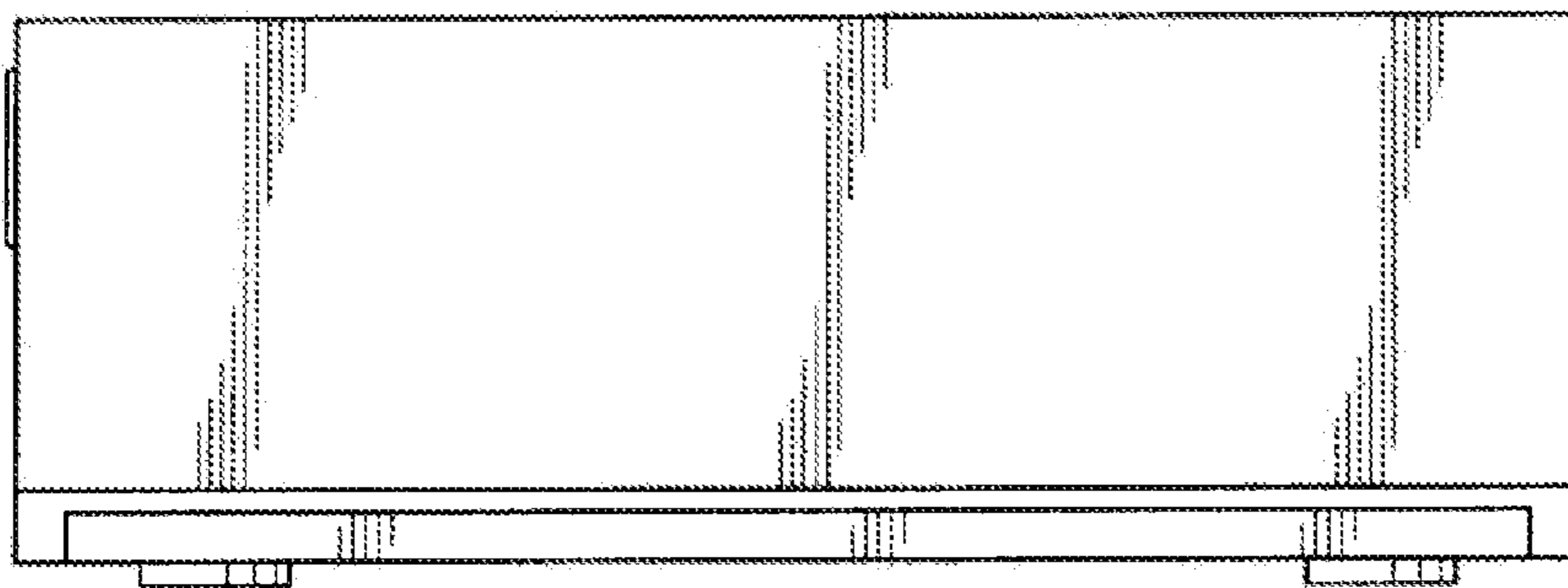


FIG. 3



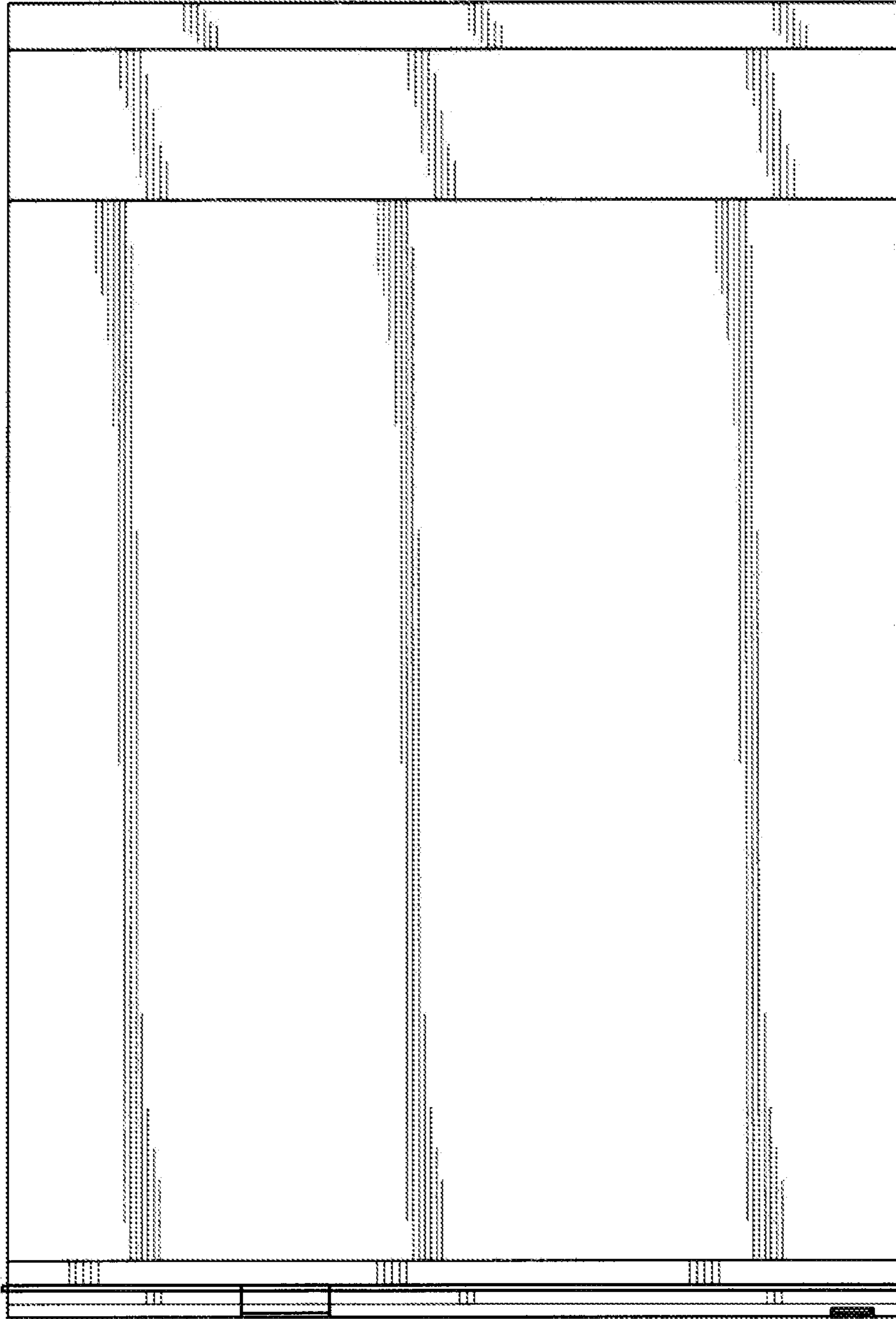


FIG. 4

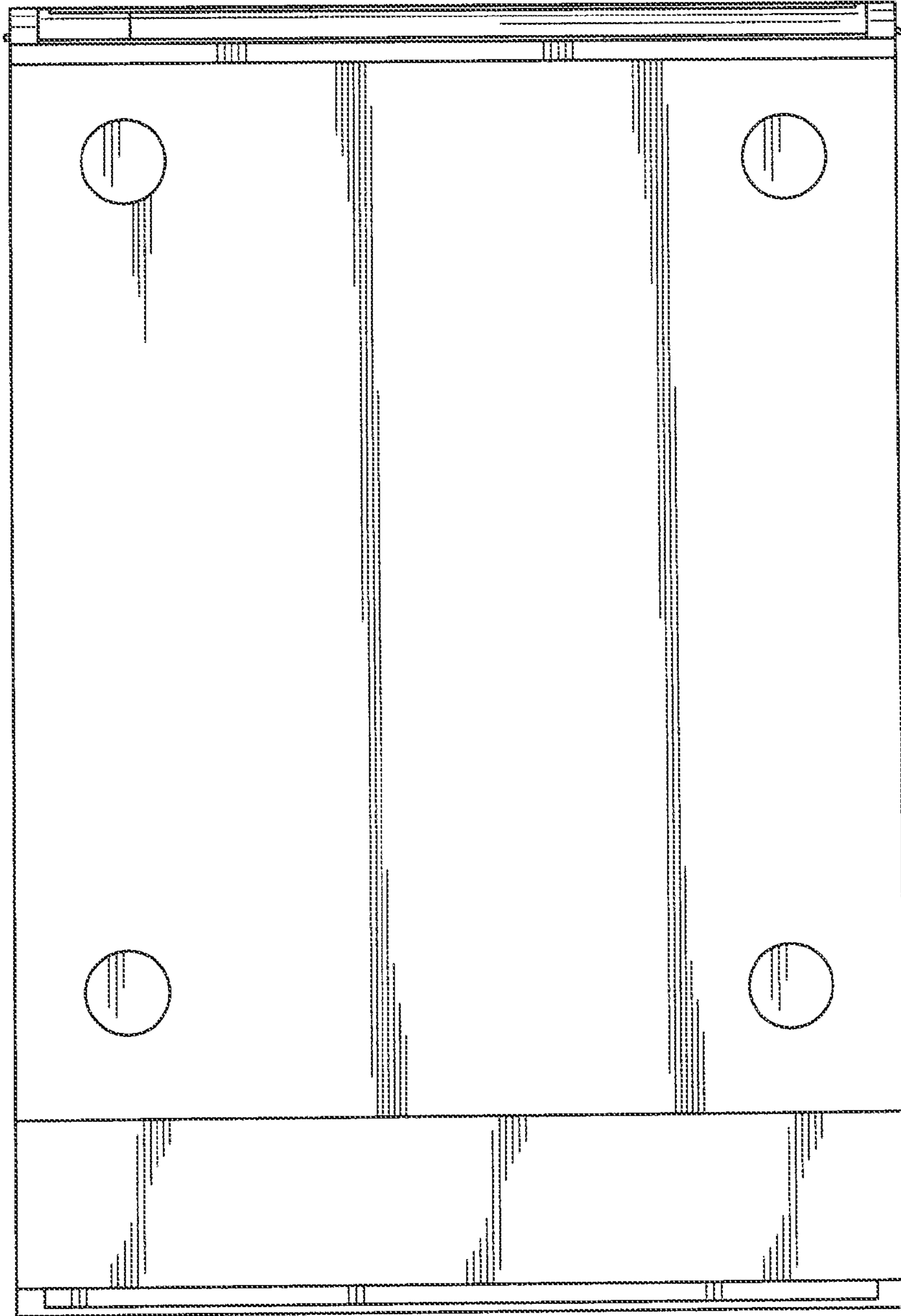


FIG. 5

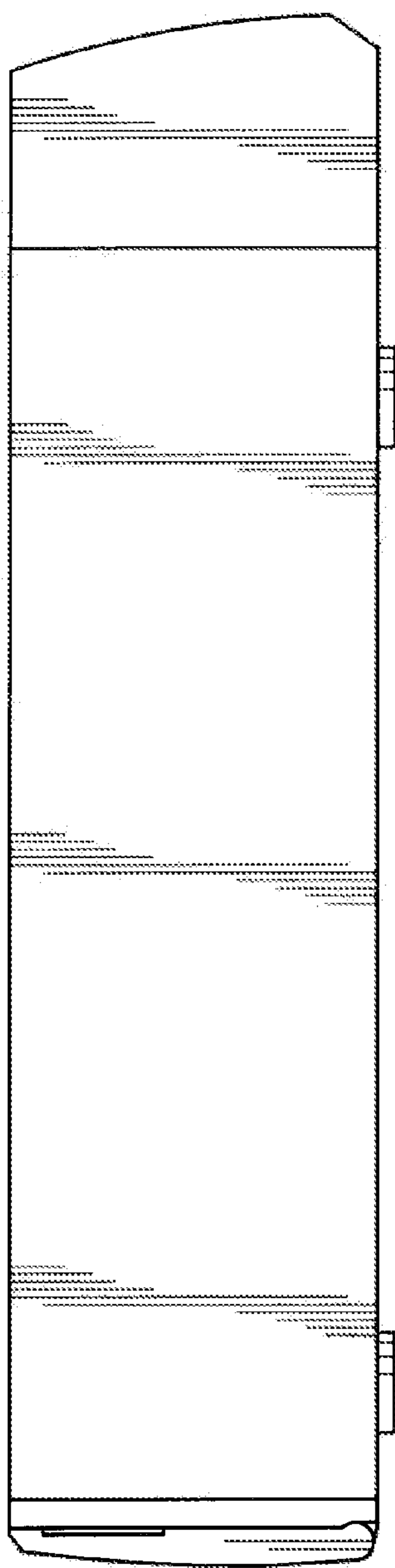


FIG. 6

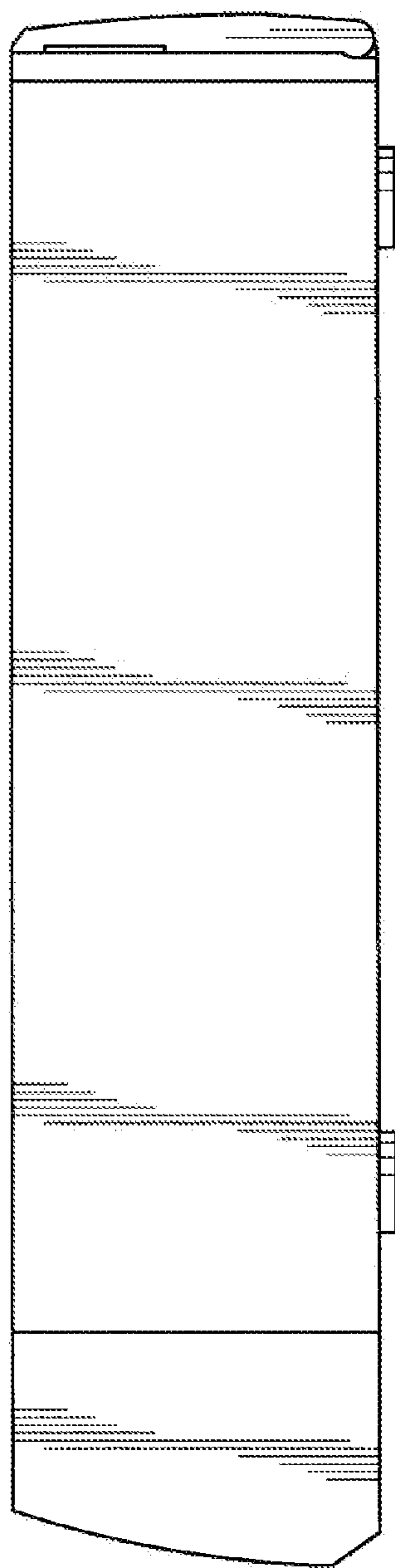


FIG. 7