



US00D618270S

(12) **United States Design Patent**
Hooper et al.

(10) **Patent No.:** **US D618,270 S**
(45) **Date of Patent:** **** Jun. 22, 2010**

(54) **FOG-RESISTANT GOGGLES**

(75) Inventors: **Bryan Hooper**, Brea, CA (US); **James C. Wang**, Walnut, CA (US)

(73) Assignee: **I.E. Manufacturing LLC.**, Ontario (CA)

(**) Term: **14 Years**

(21) Appl. No.: **29/350,672**

(22) Filed: **Nov. 20, 2009**

D549,267 S	8/2007	Chen	
D551,278 S	9/2007	Mortiz et al.	
D551,279 S	9/2007	Chen	
D551,280 S	9/2007	Li	
D556,238 S	11/2007	Yang	
D556,811 S	12/2007	Bruck	
D559,299 S	1/2008	Tabacchi	
D577,054 S	9/2008	Moritz	
D581,964 S	12/2008	Hooper et al.	
D584,329 S	1/2009	Egger	
D591,786 S *	5/2009	Wang	D16/312
D598,040 S *	8/2009	Sheldon et al.	D16/312
2007/0033716 A1	2/2007	Dondero	
2008/0047050 A1	2/2008	Hooper et al.	

Related U.S. Application Data

(62) Division of application No. 29/328,666, filed on Nov. 28, 2008, now abandoned, which is a division of application No. 29/264,121, filed on Aug. 4, 2006, now Pat. No. Des. 581,964.

(51) **LOC (9) Cl.** **16-06**

(52) **U.S. Cl.** **D16/311**

(58) **Field of Classification Search** D16/101, D16/300-330, 332-338, 900; D29/109, D29/110; D24/110.2; 351/41, 44, 158; 2/424, 2/426, 430, 432, 436, 437, 447
See application file for complete search history.

(56) **References Cited**

U.S. PATENT DOCUMENTS

4,264,988 A	5/1981	Specht
6,138,285 A	10/2000	Robrahn et al.
6,138,286 A	10/2000	Robrahn et al.
D456,037 S	4/2002	Tabacchi
6,665,885 B2	12/2003	Masumoto
6,732,382 B2	5/2004	Dondero
6,772,448 B1	8/2004	Hockaday et al.
7,137,153 B2	11/2006	Hussey
D542,829 S	5/2007	Hsu

* cited by examiner

Primary Examiner—Robert M Spear

Assistant Examiner—Barbara B Lohr

(74) *Attorney, Agent, or Firm*—Oblon, Spivak, McClelland, Maier & Neustadt, L.L.P.

(57) **CLAIM**

The ornamental design for fog resistant goggles, as shown and described.

DESCRIPTION

FIG. 1 is a front elevational view of the fog resistant goggles; FIG. 2 is a right side elevational view thereof, the left side elevational view being a mirror image of the right side elevational view shown;

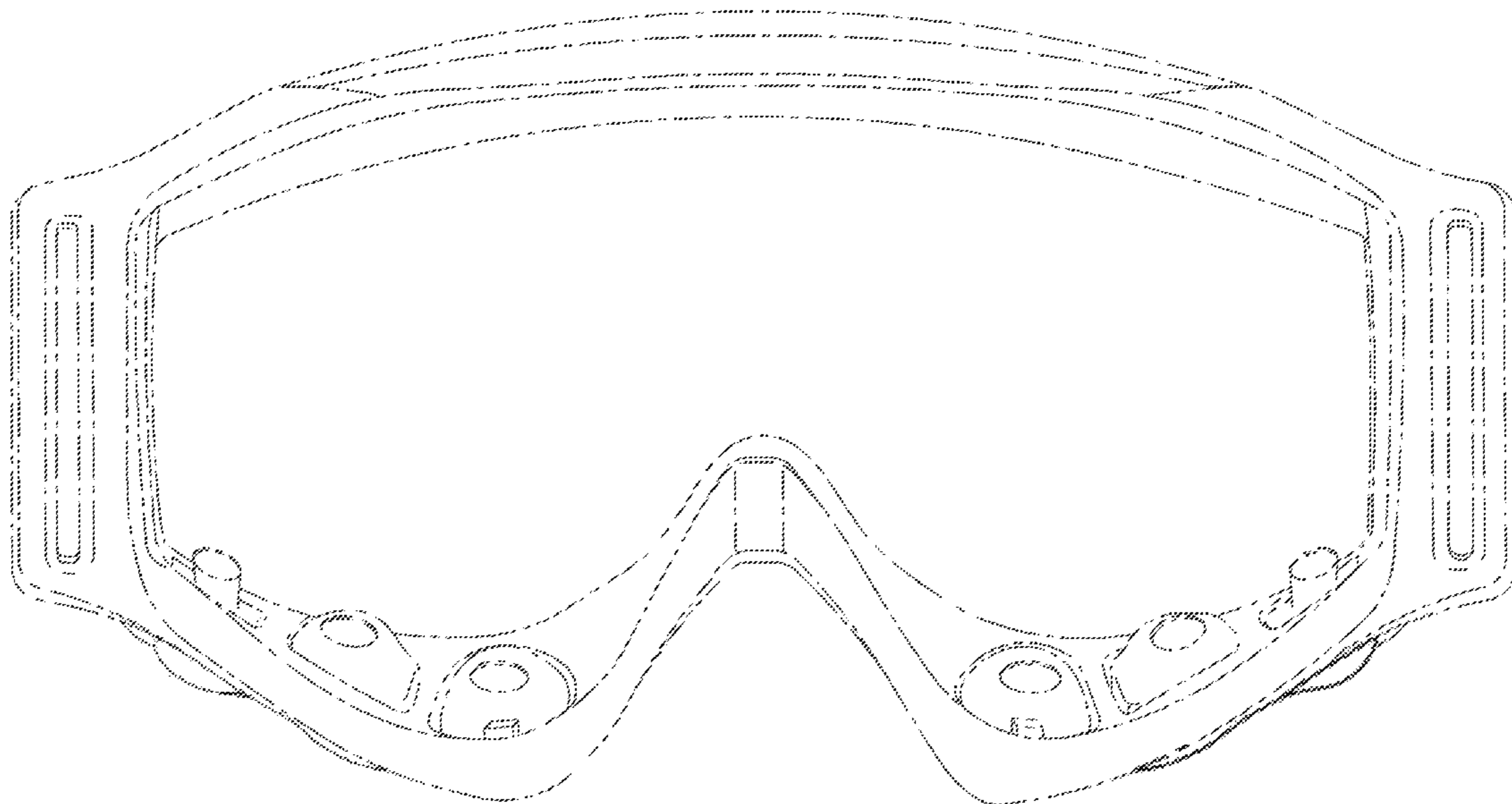
FIG. 3 is a bottom and front perspective view thereof;

FIG. 4 is a top and front perspective view thereof; and,

FIG. 5 is a bottom plan view thereof.

The broken lines in the drawings depict environmental subject matter only and form no part of the claimed design.

1 Claim, 5 Drawing Sheets



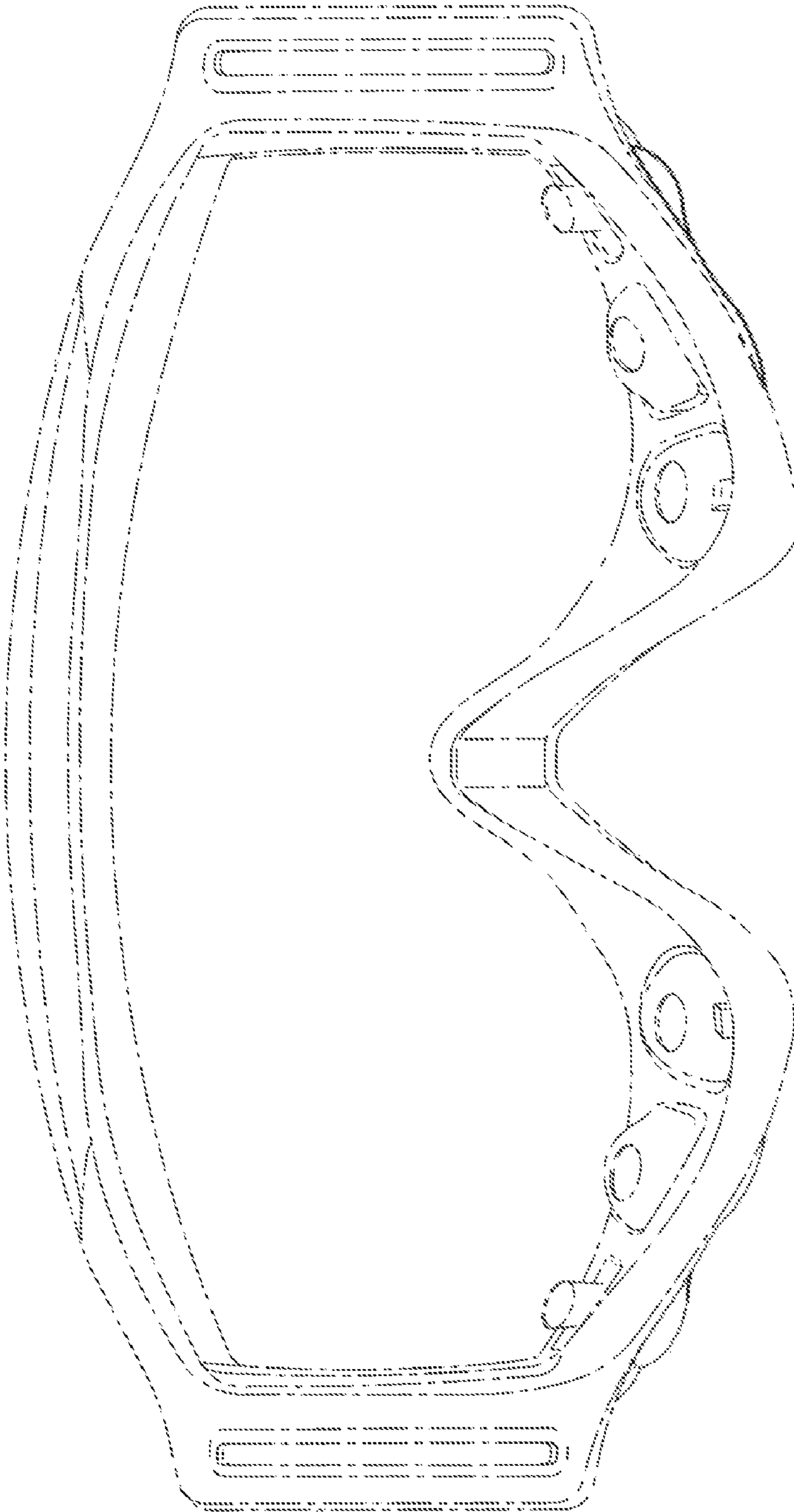


Fig. 1

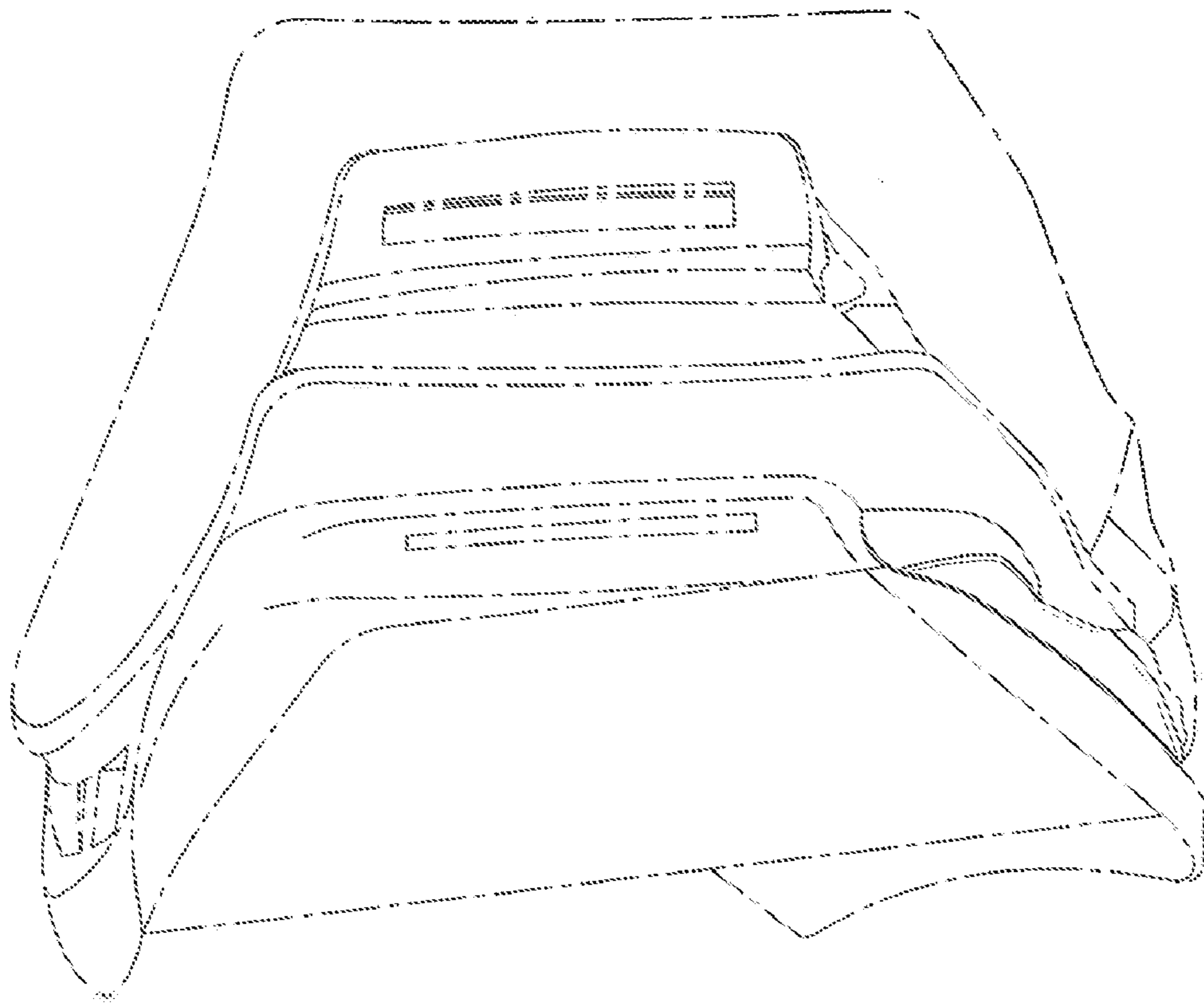


Fig. 2



Fig. 3

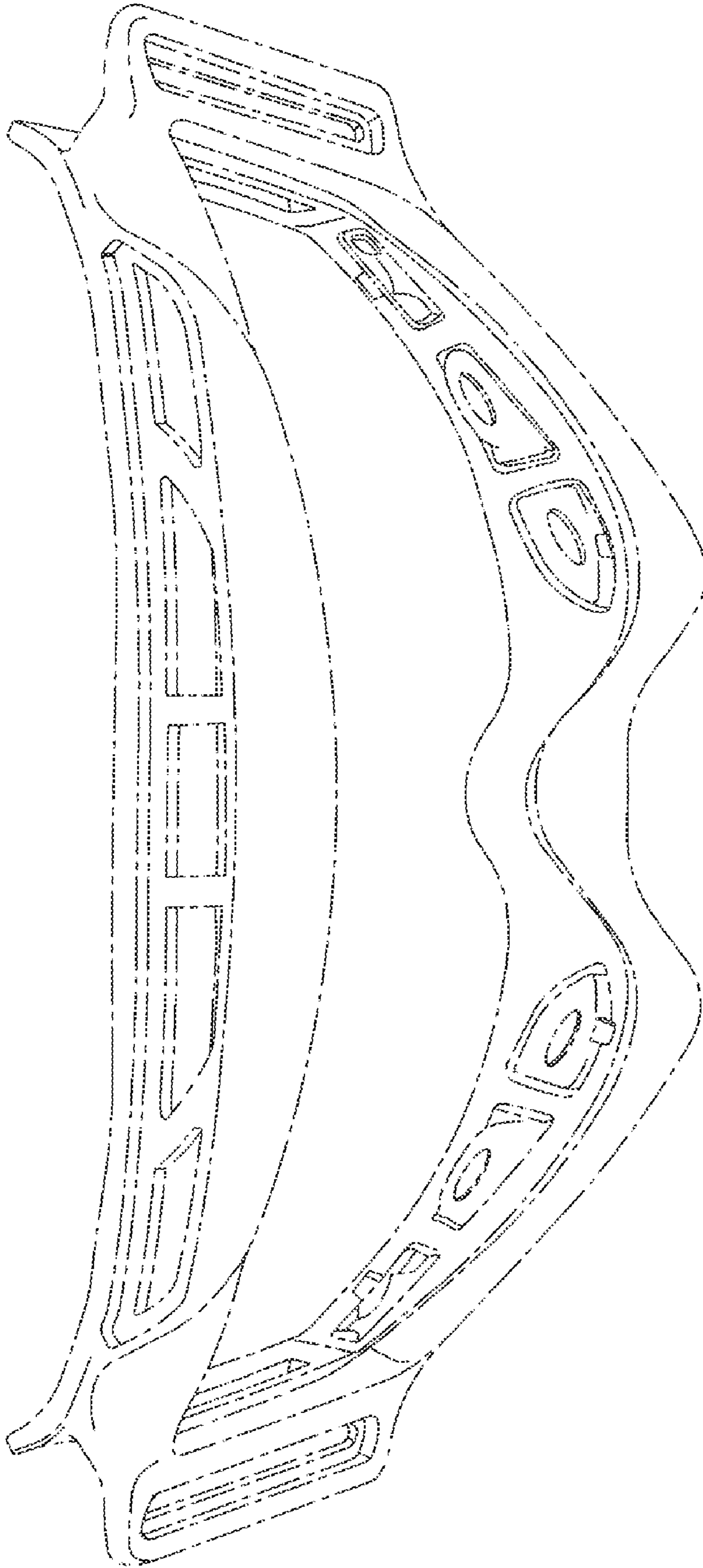


Fig. 4

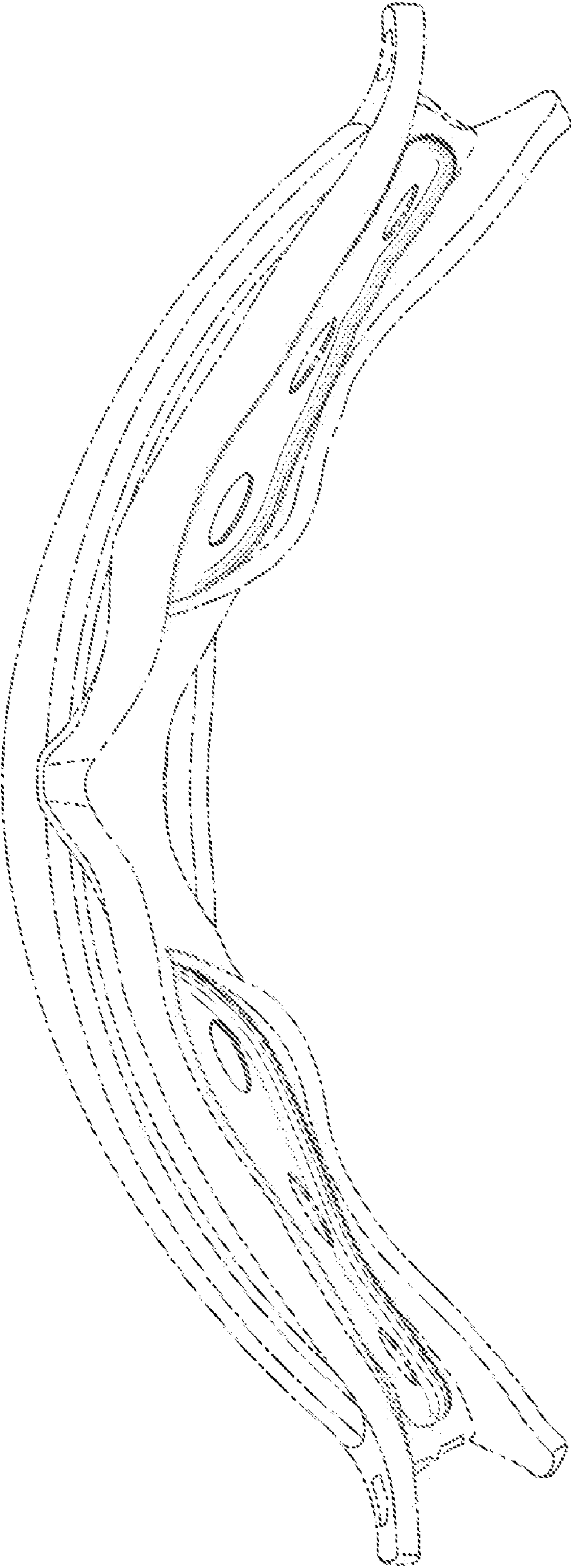


Fig. 5