



US00D618269S

(12) **United States Design Patent**
Williams et al.

(10) **Patent No.:** **US D618,269 S**
(45) **Date of Patent:** **** Jun. 22, 2010**

(54) **SECURITY CAMERA PEDESTAL MOUNT**

(75) Inventors: **Mark C. Williams**, St. Cloud, FL (US);
James H. Muir, Indialantic, FL (US)

(73) Assignee: **Brijot Imaging Systems, Inc.**, Lake
Mary, FL (US)

(**) Term: **14 Years**

(21) Appl. No.: **29/306,748**

(22) Filed: **Apr. 15, 2008**

(51) **LOC (9) Cl.** **16-05**

(52) **U.S. Cl.** **D16/242**

(58) **Field of Classification Search** D16/237,
D16/242, 244–245; D24/128; 396/419–420,
396/218, 422, 425, 421, 428; 248/176.1,
248/176.3, 177.1, 184.1, 187.1, 183.1, 183.2;
D8/373, 354

See application file for complete search history.

(56) **References Cited**

U.S. PATENT DOCUMENTS

3,608,462	A *	9/1971	Groshong	108/20
4,684,230	A *	8/1987	Smith	396/428
4,849,778	A *	7/1989	Samuelson	396/428
D331,108	S *	11/1992	Curbbun	D24/128
5,197,700	A *	3/1993	Chapman	248/125.1
D338,030	S *	8/1993	Chapman	D16/242
D361,587	S *	8/1995	Chapman	D16/242
D367,530	S *	2/1996	Stith	D24/128
D387,082	S *	12/1997	Christensen	D16/244
6,513,769	B1 *	2/2003	Chapman	248/125.1
7,448,812	B2 *	11/2008	Heibel	396/419
D594,499	S *	6/2009	McKay	D16/245

2005/0230573	A1 *	10/2005	Ligertwood	248/158
2006/0196998	A1 *	9/2006	Matteo	248/176.3
2007/0205241	A1 *	9/2007	Mourao	224/401

* cited by examiner

Primary Examiner—Ian Simmons

Assistant Examiner—Wan Laymon

(74) *Attorney, Agent, or Firm*—Greenberg Traurig LLP

(57) **CLAIM**

The ornamental design for a security camera pedestal mount, as shown and described.

DESCRIPTION

FIG. 1 shows a front perspective view of the security camera pedestal mount showing our new design;

FIG. 2 shows a left perspective view of the security camera pedestal mount showing our new design;

FIG. 3 shows a front elevation view of the security camera pedestal mount showing our new design;

FIG. 4 shows a right side elevation view of the security camera pedestal mount showing our new design;

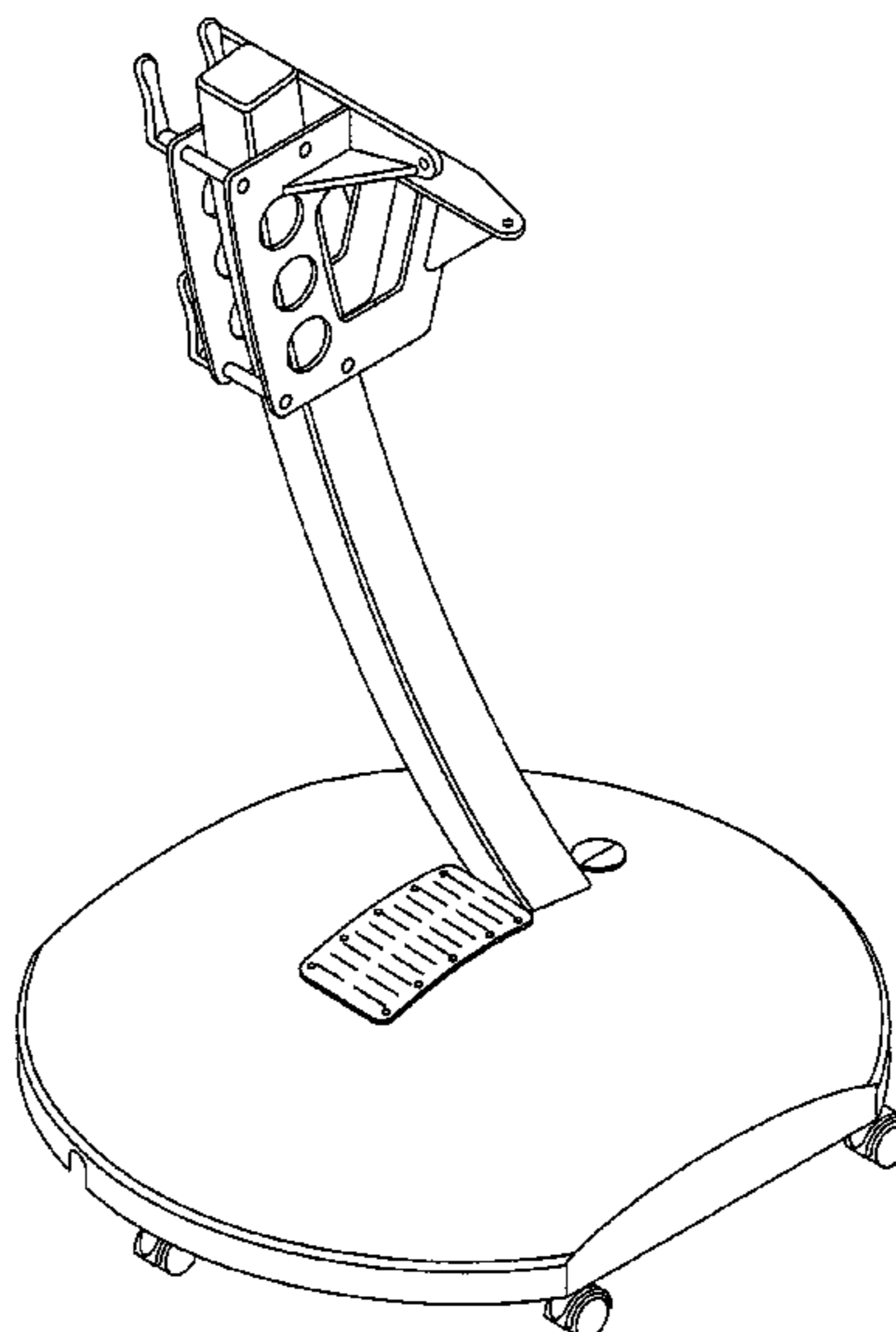
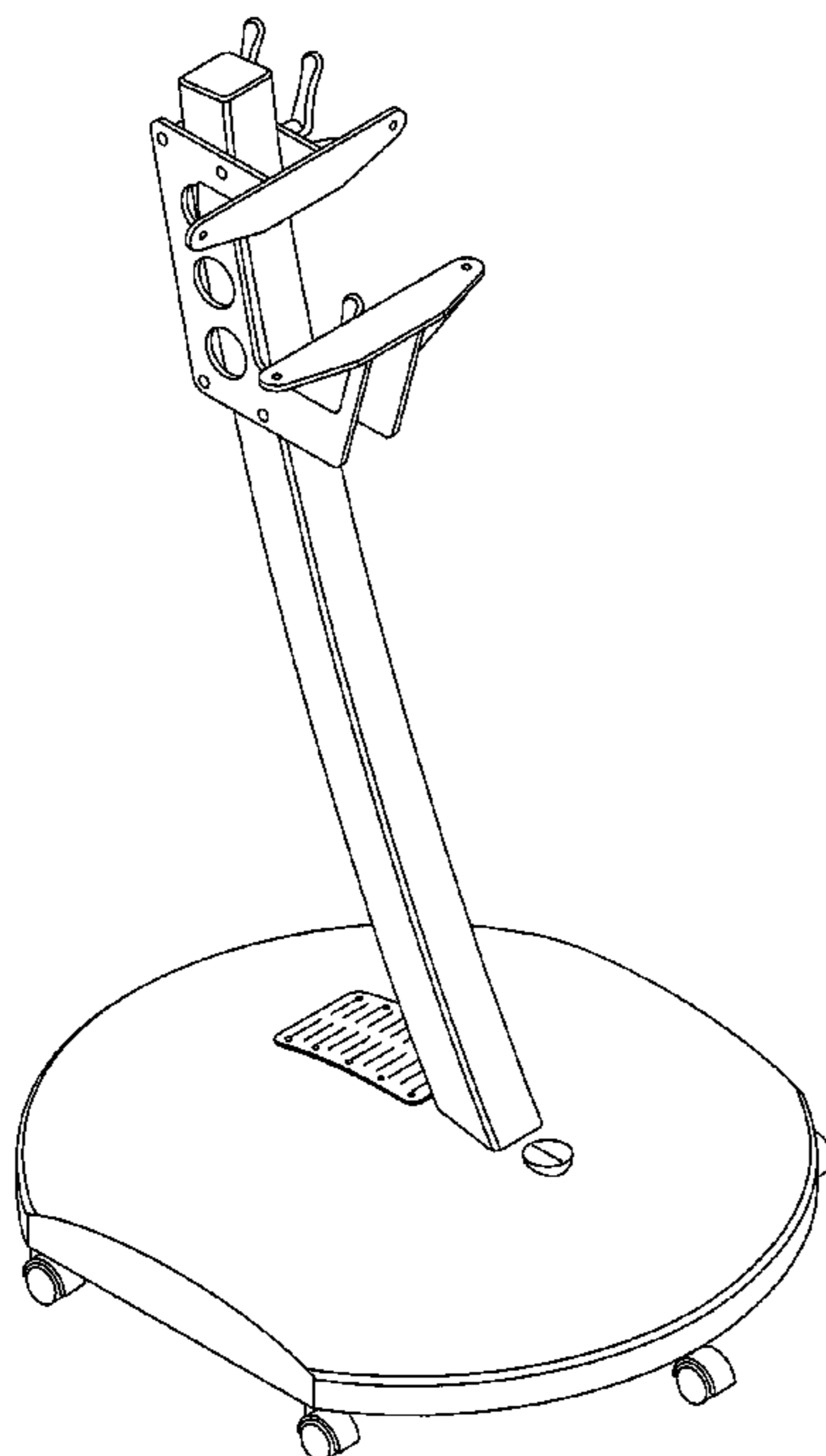
FIG. 5 shows a rear elevation view of the security camera pedestal mount showing our new design;

FIG. 6 shows a top view of the security camera pedestal mount showing our new design; and,

FIG. 7 shows a bottom view of the security camera pedestal mount showing our new design.

The broken line showing portions of a pedestal mount for security camera is included for illustrating environmental structure and forms no part of the claimed design.

1 Claim, 7 Drawing Sheets



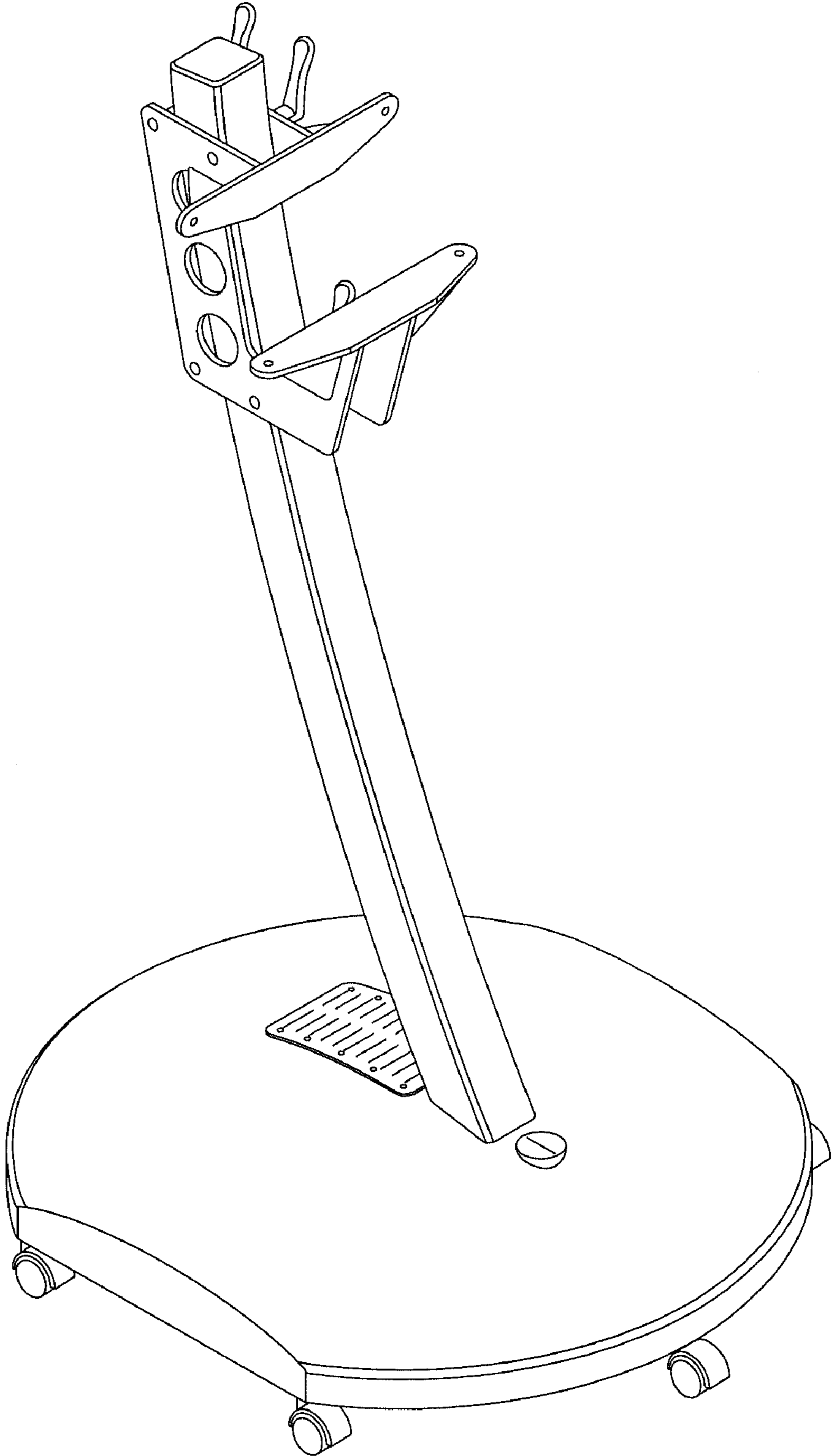


FIG. 1

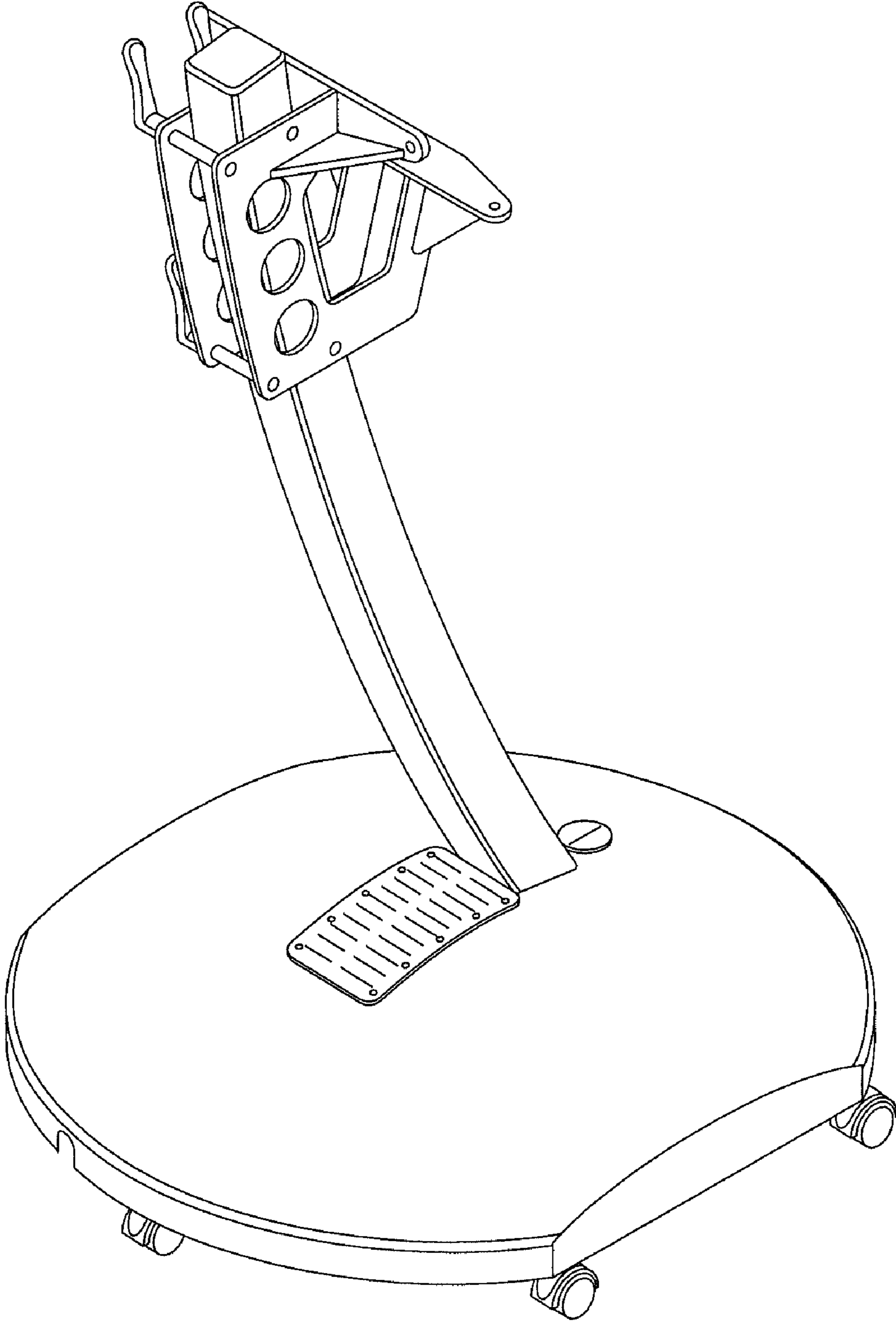


FIG. 2

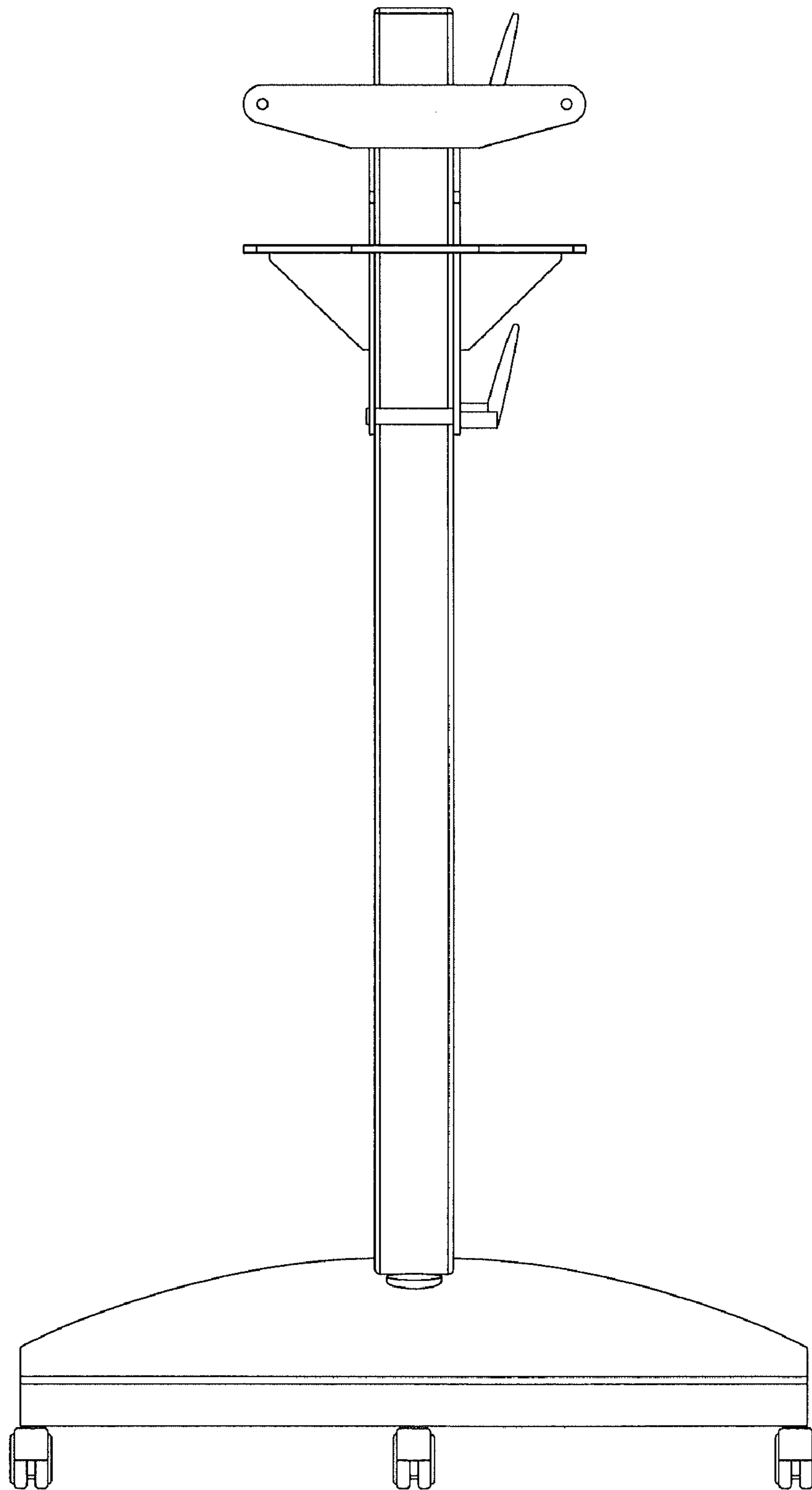


FIG. 3

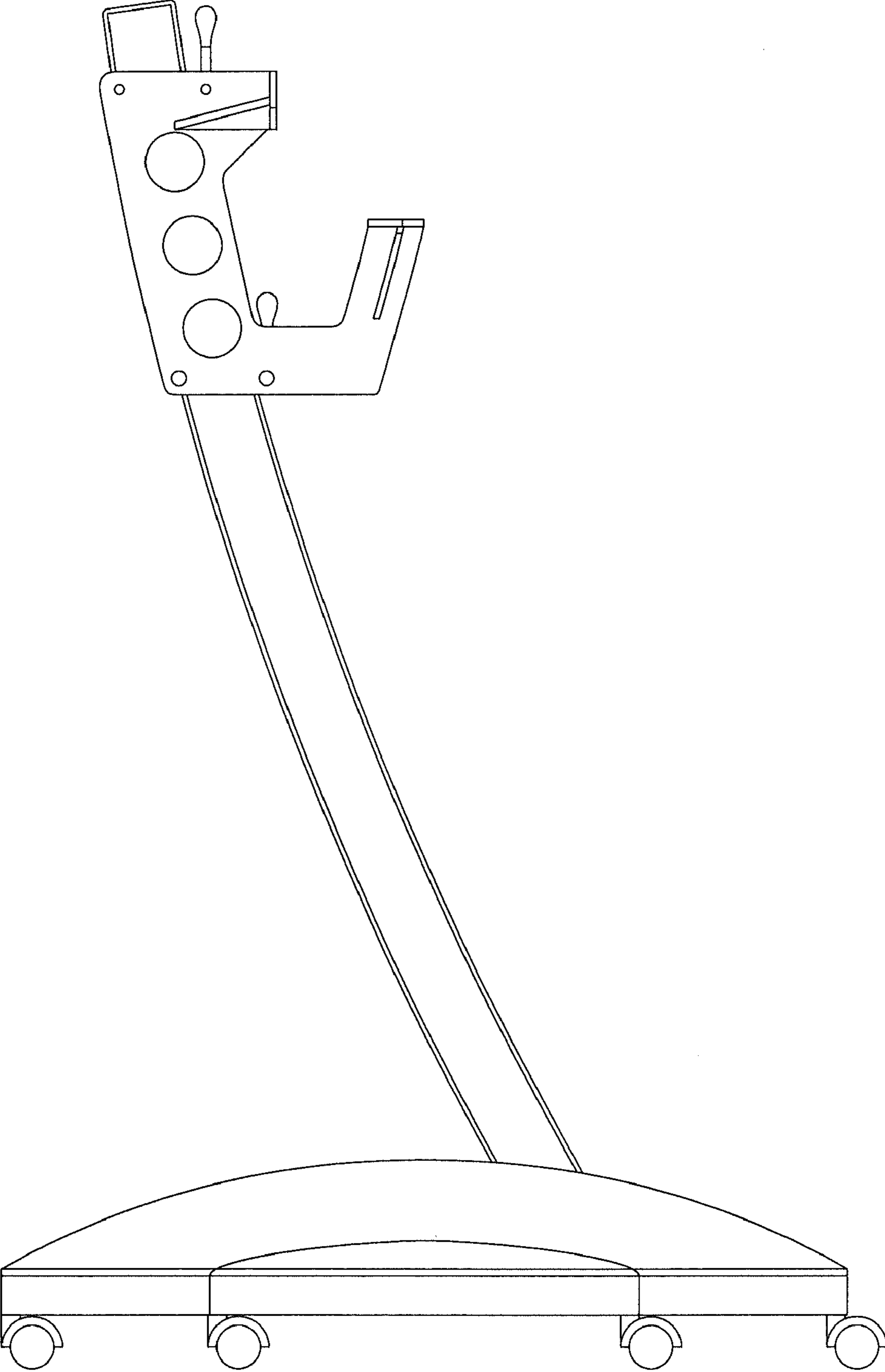


FIG. 4

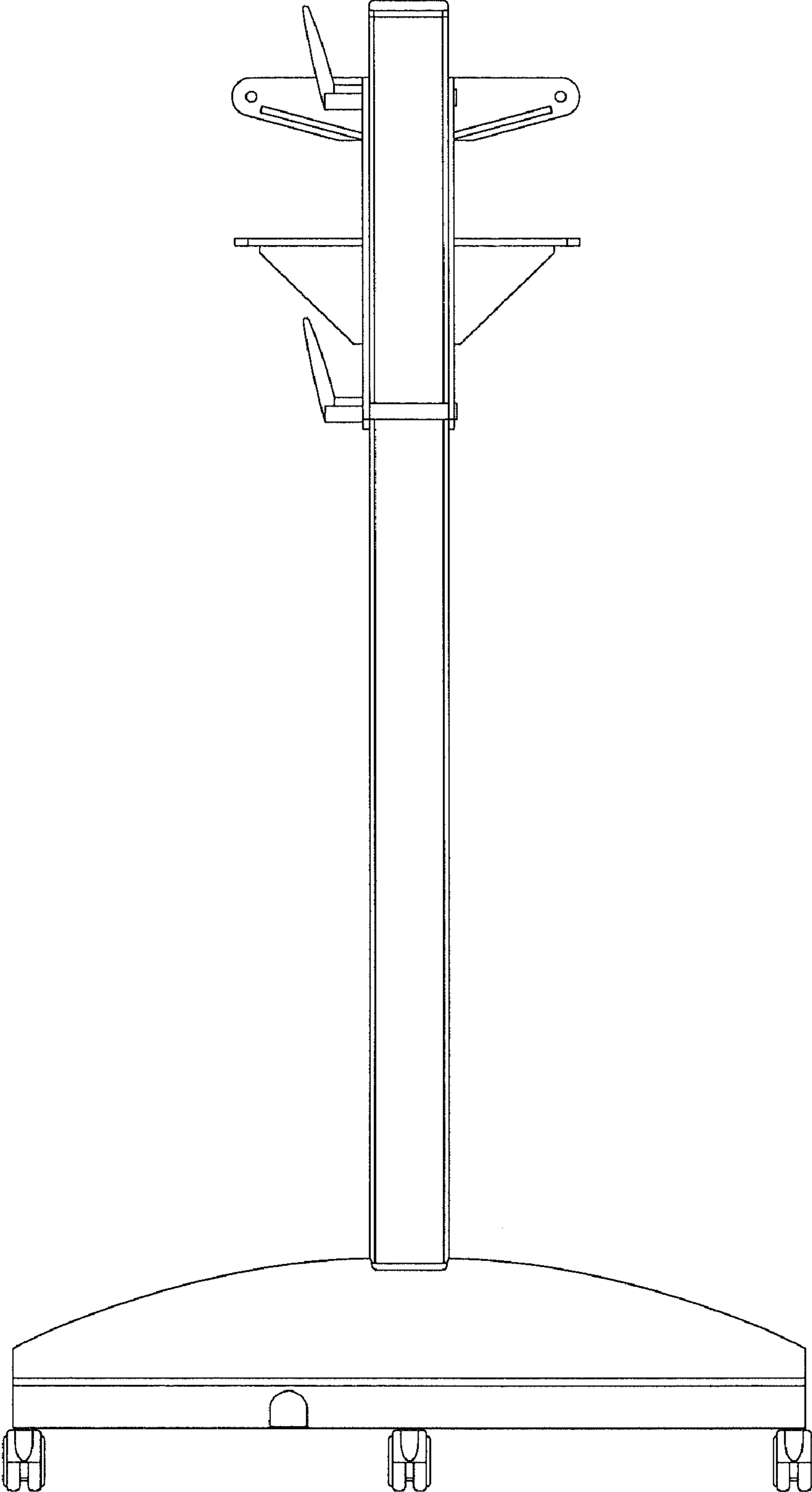


FIG. 5

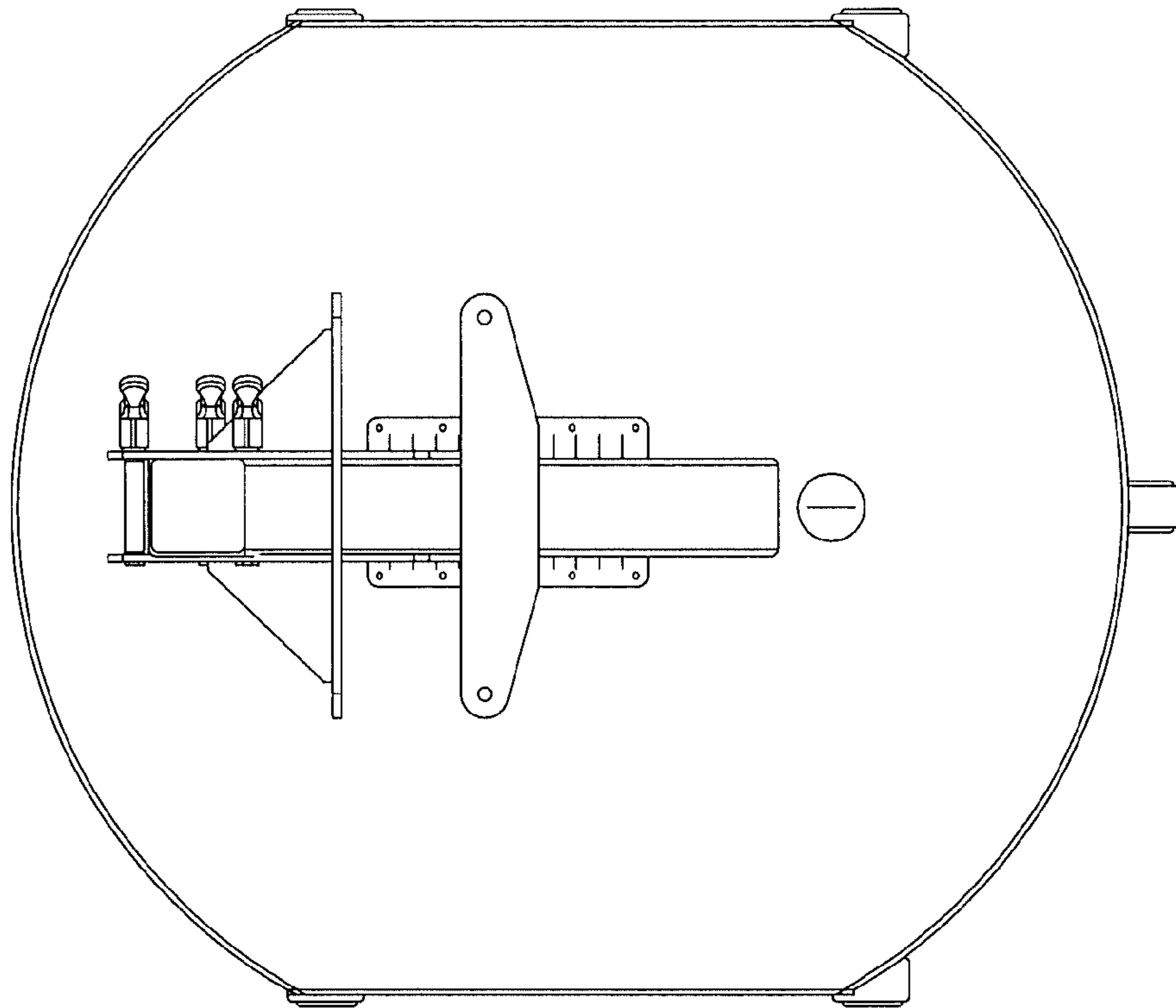


FIG. 6

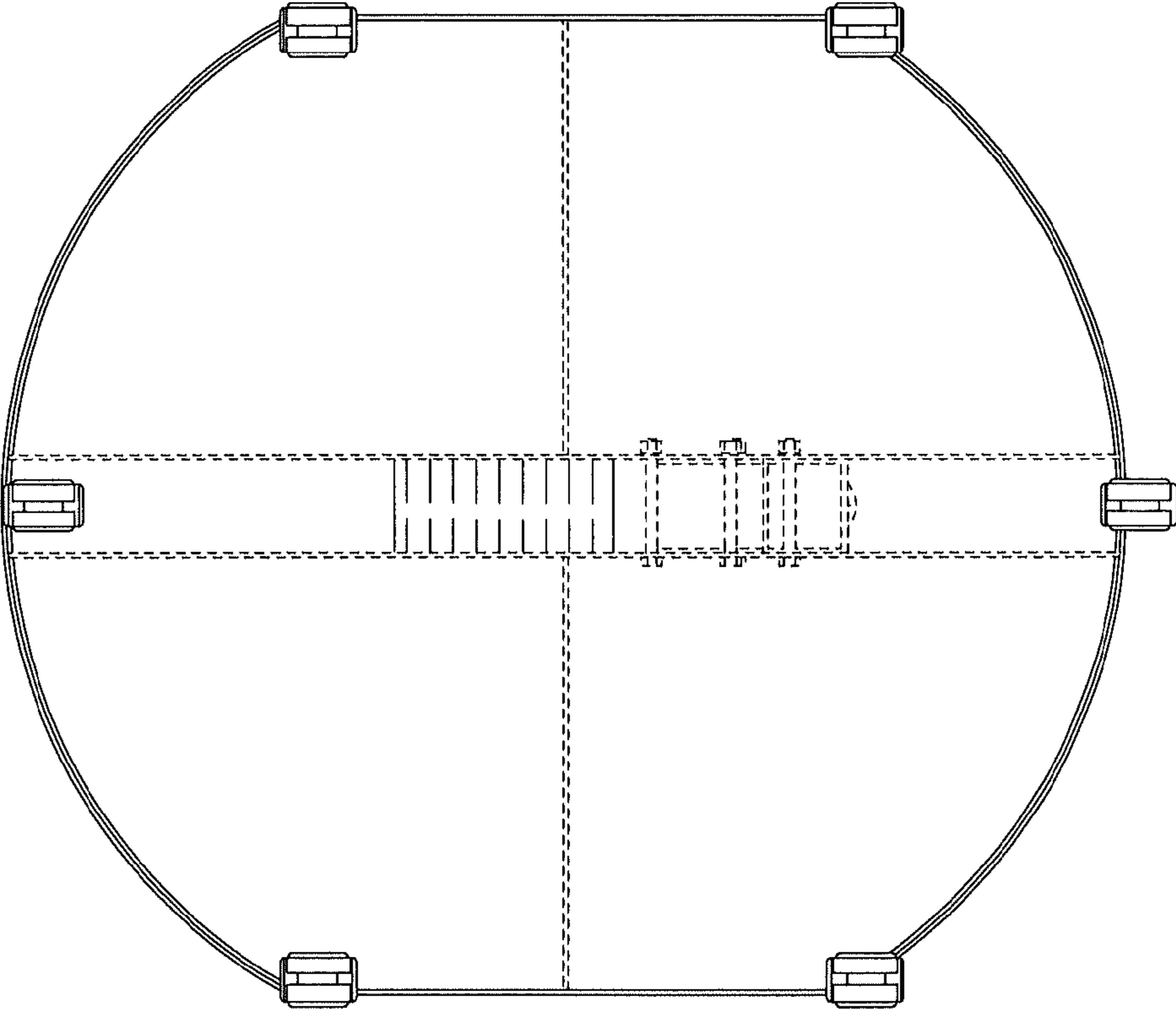


FIG. 7