



US00D618268S

(12) **United States Design Patent**
Takahashi et al.

(10) **Patent No.:** **US D618,268 S**
(45) **Date of Patent:** **** Jun. 22, 2010**

(54) **PORTION OF DISPLAY PANEL WITH PROJECTOR**

(75) Inventors: **Ryusaku Takahashi**, Yokosuka (JP);
Masahiko Miyake, Yokohama (JP);
Takatsugu Aizaki, Yokohama (JP);
Hironobu Fukutomi, Yokosuka (JP);
Toshitaka Murata, Yokohama (JP);
Manabu Kobayashi, Saitama (JP)

(73) Assignee: **Victor Company of Japan, Limited**,
Yokohama-shi (JP)

(**) Term: **14 Years**

(21) Appl. No.: **29/311,038**

(22) Filed: **Dec. 12, 2008**

(30) **Foreign Application Priority Data**

Jul. 4, 2008 (JP) D2008-017354

(51) **LOC (9) Cl.** **16-05**

(52) **U.S. Cl.** **D16/241; D16/242**

(58) **Field of Classification Search** D16/241,
D16/242, 245; D20/10, 19, 42-43; D14/126-127,
D14/217, 128-129, 371, 374-376; 348/180,
348/184, 739, 744, 836; 359/443, 453, 449,
359/456, 460; 248/917-918, 920; 353/73-74,
353/78-79, 82, 94, 98-99, 119, 30

See application file for complete search history.

(56) **References Cited**

U.S. PATENT DOCUMENTS

D116,618 S * 9/1939 Trojan D20/10
D154,299 S * 6/1949 Morgan D20/10
D171,908 S * 4/1954 Nelson D20/10
D171,909 S * 4/1954 Nelson D20/10
D529,496 S * 10/2006 Chen et al. D14/375
D533,598 S * 12/2006 Sandmeyer et al. D20/10
D562,785 S * 2/2008 Fujii D14/126

7,413,312 B2 * 8/2008 Engle et al. 353/79
D580,383 S * 11/2008 Kuramashi D14/126
D596,219 S * 7/2009 Tatara et al. D16/241
D596,393 S * 7/2009 Leung et al. D14/217
2009/0268171 A1 * 10/2009 Lowe 353/78
2009/0290127 A1 * 11/2009 Kobayashi et al. 353/30

* cited by examiner

Primary Examiner—Ian Simmons

Assistant Examiner—Wan Laymon

(74) *Attorney, Agent, or Firm*—The Nath Law Group; Jerald L. Meyer; Derek Richmond

(57) **CLAIM**

The ornamental design for a portion of display panel with projector, as shown and described.

DESCRIPTION

FIG. 1 is a perspective view of a portion of display panel with projector;

FIG. 2 is a rear view thereof;

FIG. 3 is a right side view thereof, a left side view being a mirror image thereof;

FIG. 4 is a top plan view thereof;

FIG. 5 is an enlarged partial view thereof taken at the portion 5 of FIG. 4;

FIG. 6 is a sectional view thereof showing the sectioned surface of the portion taken vertically at the center of FIG. 2; and,

FIG. 7 is an enlarged partial view thereof taken at the area shown by line 7—7 in FIG. 6.

The broken lines showing portions of a portion of display panel with projection is included for the purpose of illustrating environmental structure and forms no part of the claimed design. The dash-dot lines immediately adjacent to the shaded areas represent the boundaries of the claimed design. None of the broken lines form any part of the claimed design.

1 Claim, 5 Drawing Sheets

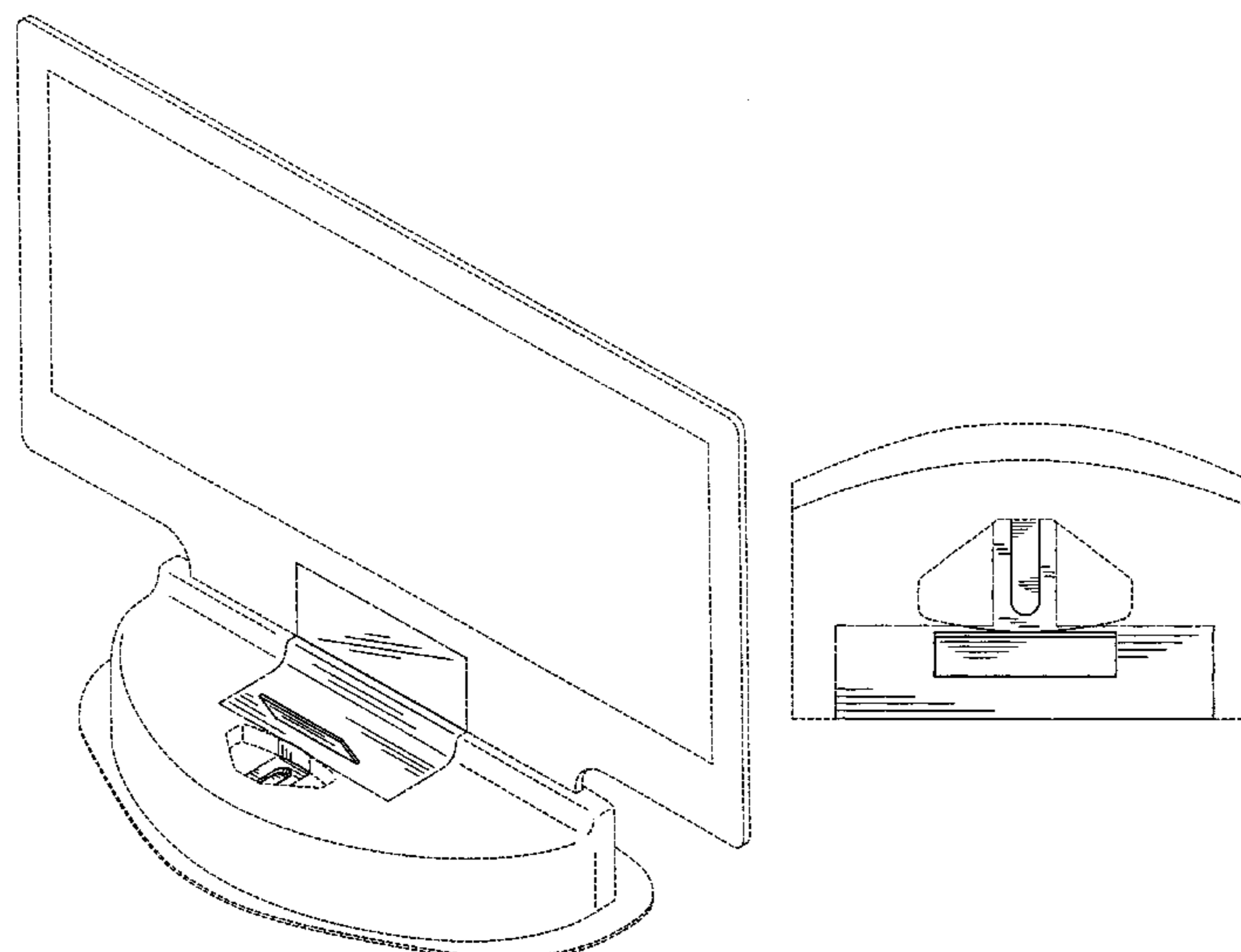


Fig. 1

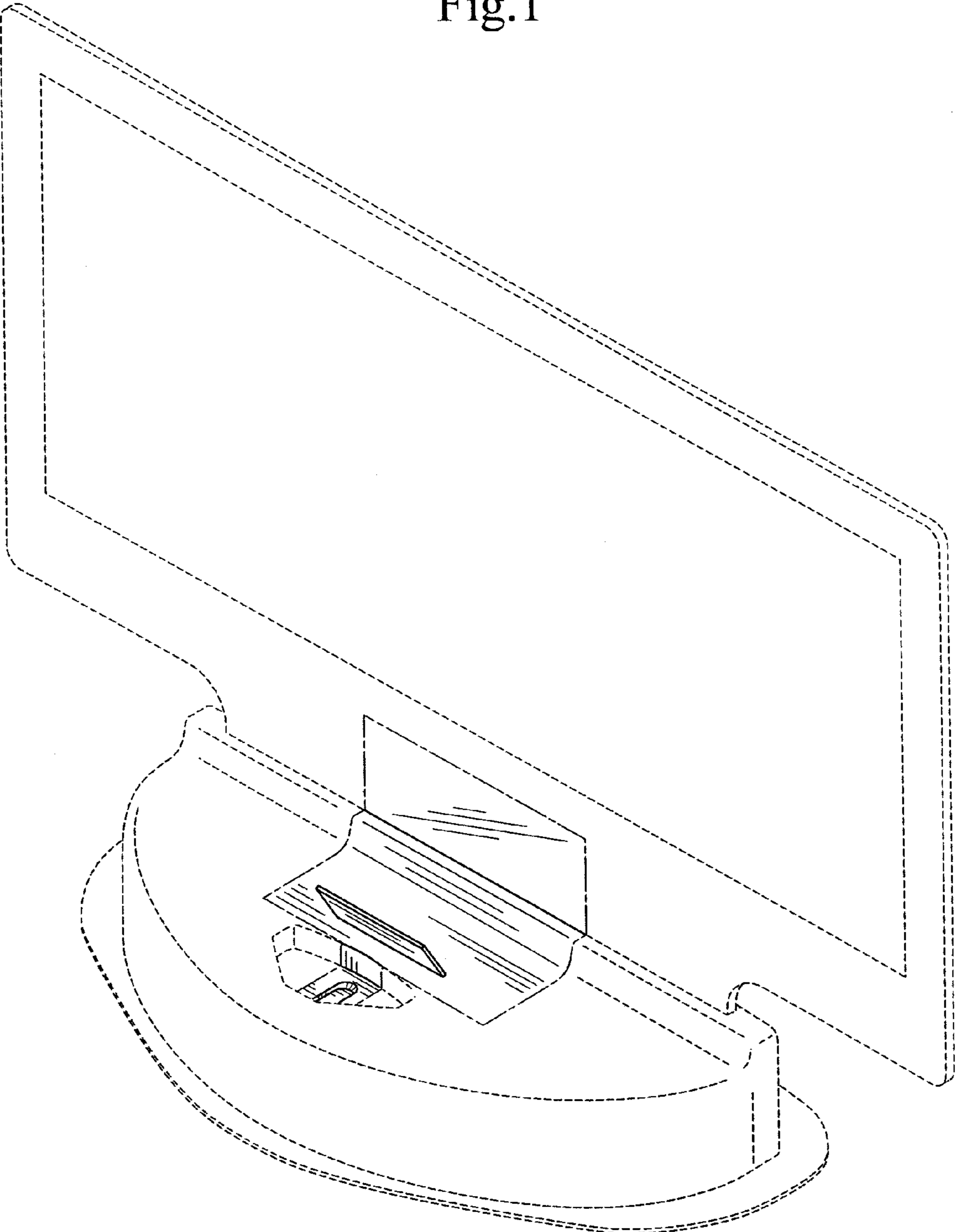


Fig.2

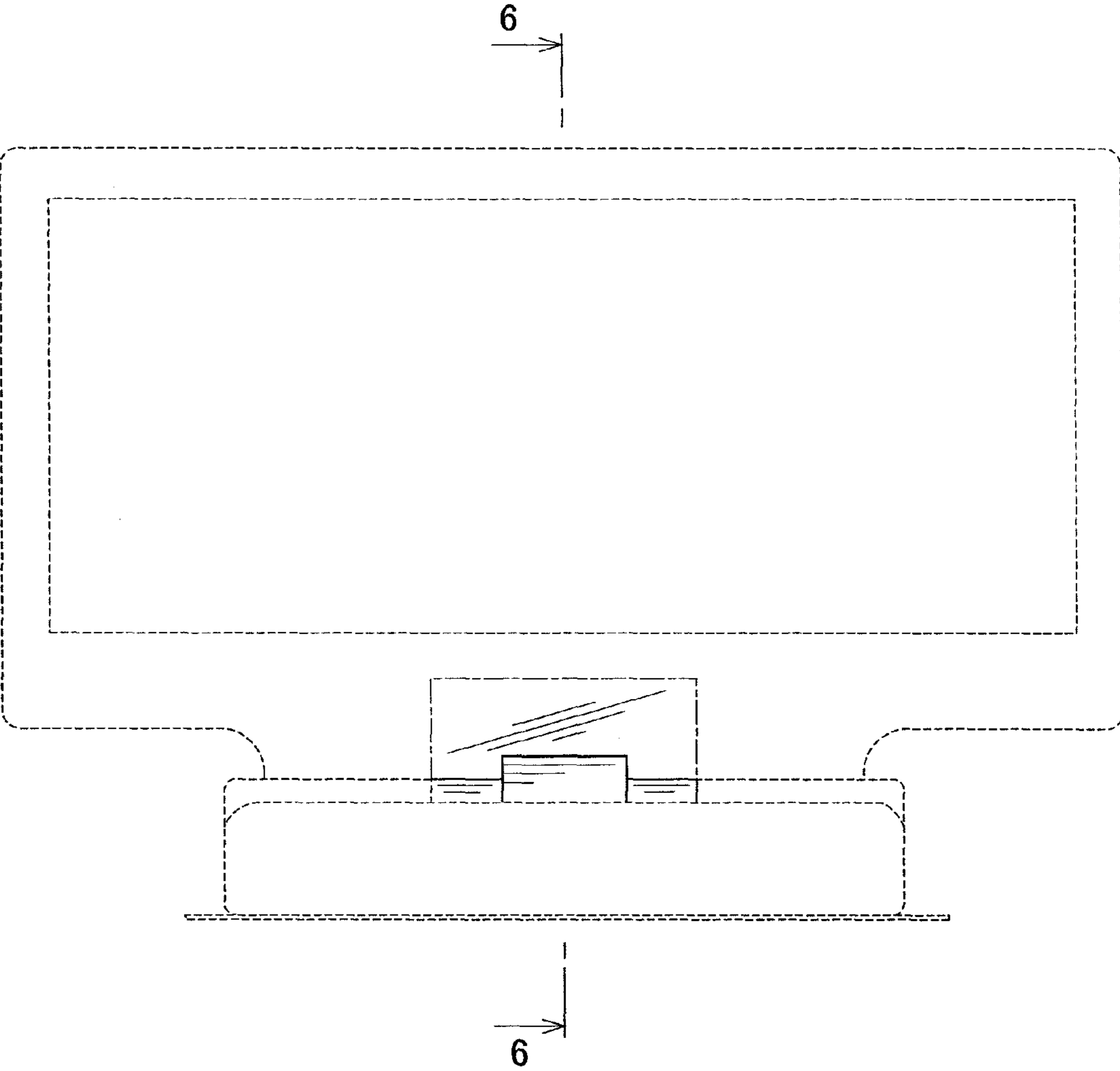


Fig.3

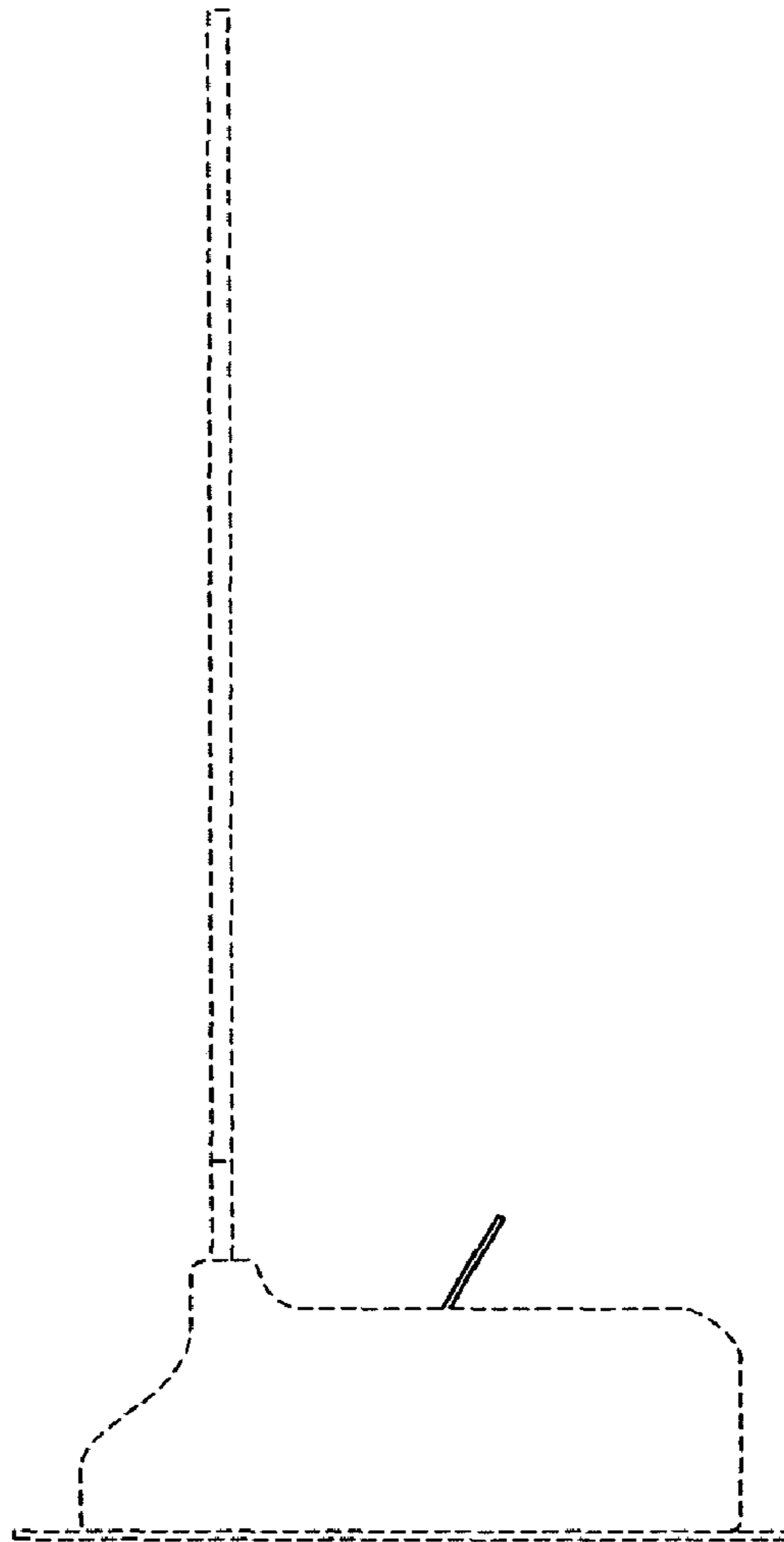


Fig.4

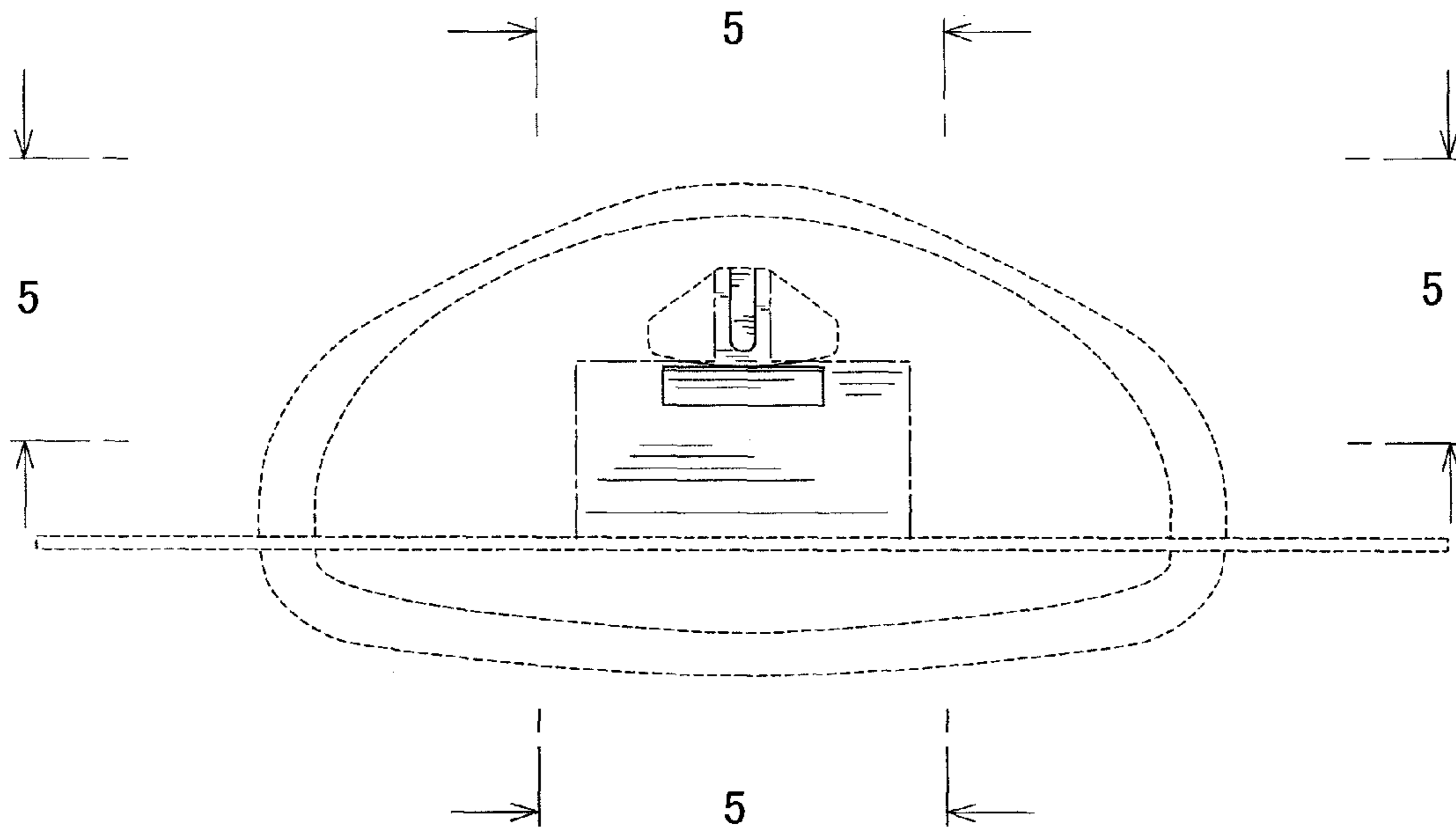


Fig.5

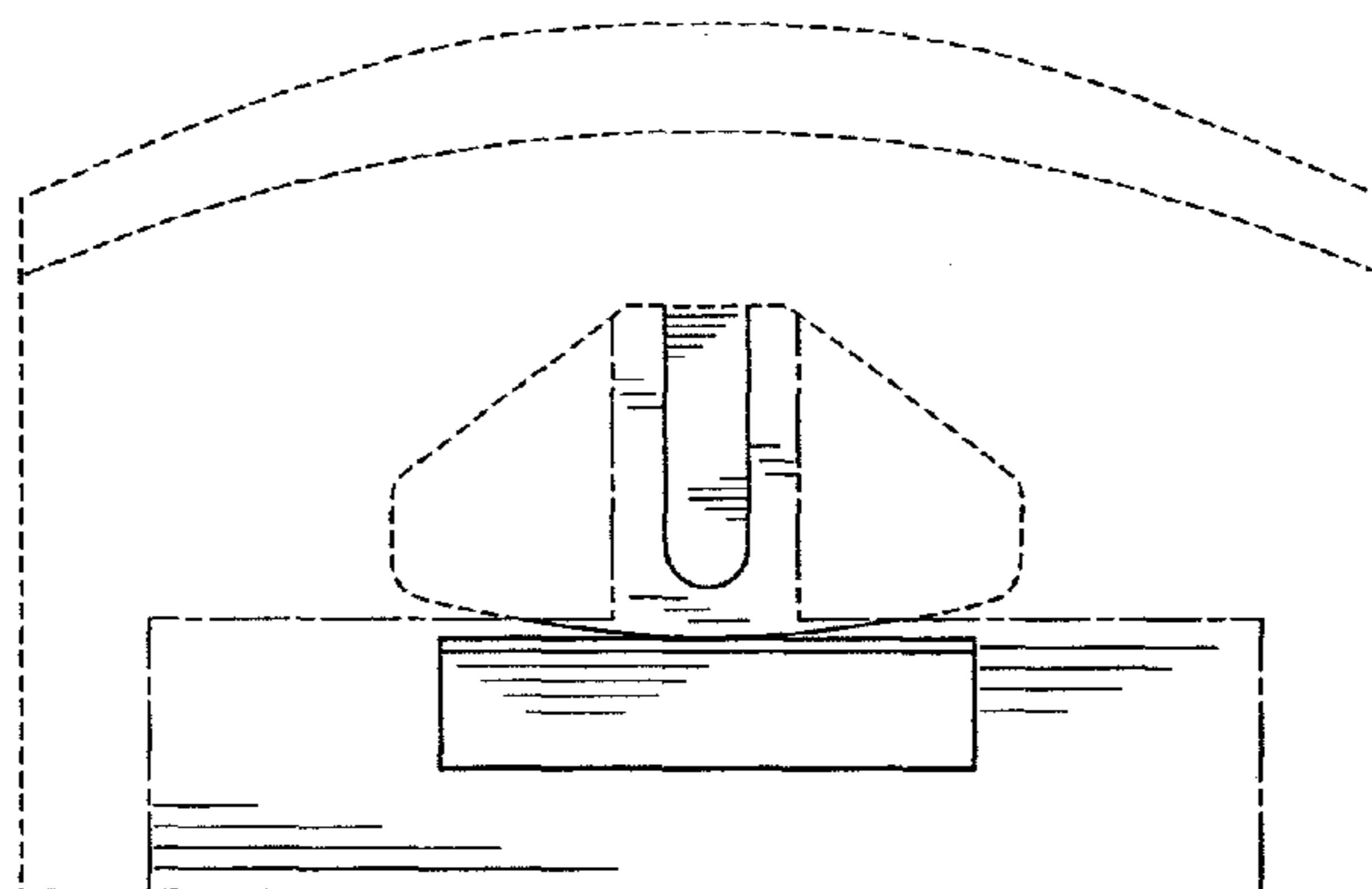


Fig.6

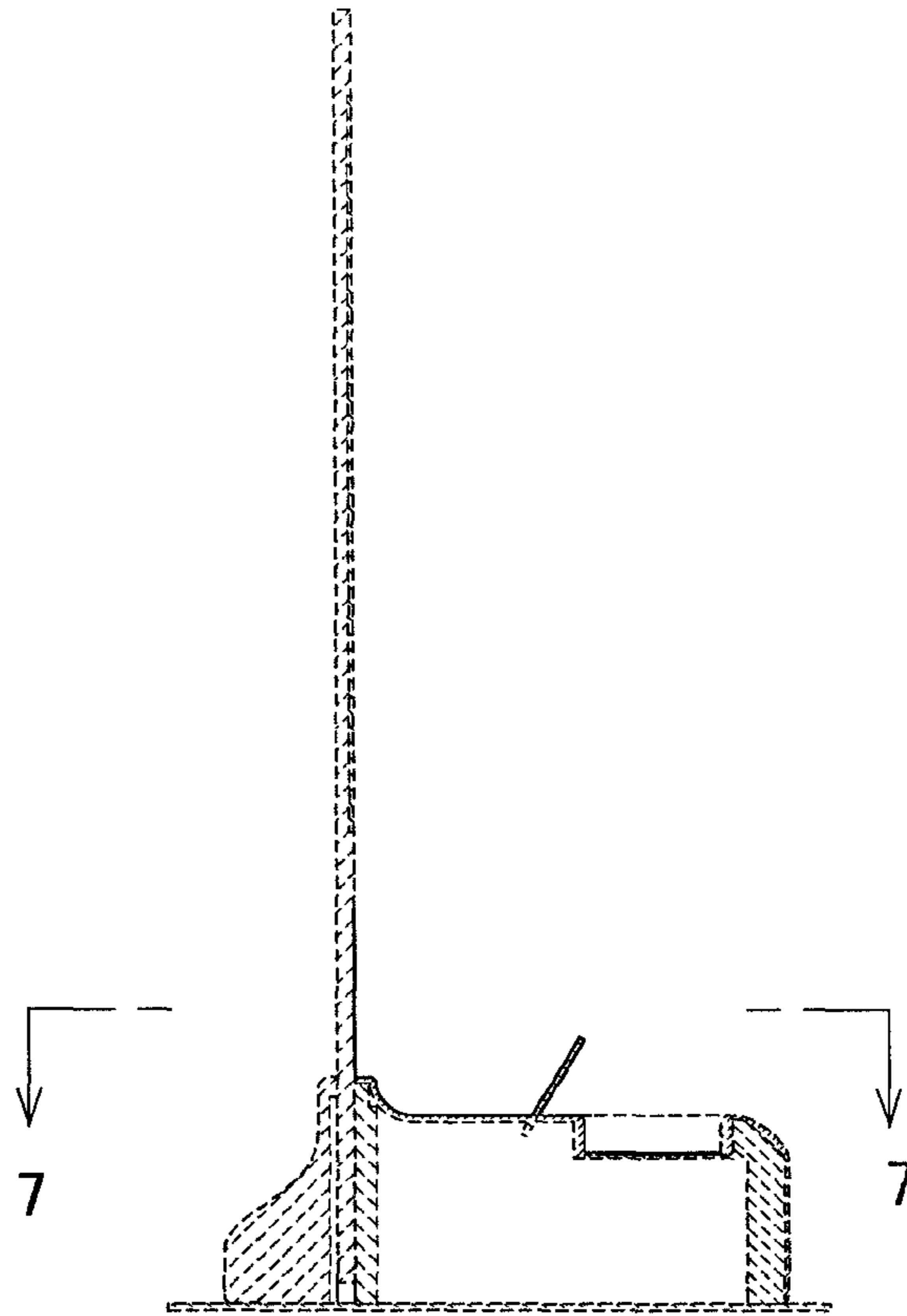


Fig.7

