



US00D618267S

(12) **United States Design Patent**
Fang

(10) **Patent No.:** **US D618,267 S**

(45) **Date of Patent:** **** Jun. 22, 2010**

(54) **SOLAR ILLUMINATION AND PROJECTOR**

(76) Inventor: **Te-Hsiang Fang**, No. 130, Lung Ping Rd., San Chung, Taipei Hsien (TW)

(**) Term: **14 Years**

(21) Appl. No.: **29/339,664**

(22) Filed: **Jul. 6, 2009**

(51) **LOC (9) Cl.** **16-02**

(52) **U.S. Cl.** **D16/225; D16/230**

(58) **Field of Classification Search** D16/205, D16/208, 213, 221, 225, 230, 232, 231, 234; D21/514; 353/115, 119, 122, 52-56; 352/167, 352/198, 201, 203, 242; 362/11, 606, 607, 362/611, 612; D13/100, 102
See application file for complete search history.

(56) **References Cited**

U.S. PATENT DOCUMENTS

3,894,797	A *	7/1975	Barowski et al.	353/119
D479,551	S *	9/2003	Min et al.	D16/230
D489,391	S *	5/2004	Morishita et al.	D16/230
D515,127	S *	2/2006	Schoenert et al.	D16/230
D522,037	S *	5/2006	Inoue et al.	D16/230
7,258,449	B2 *	8/2007	Chong et al.	353/119
D561,231	S *	2/2008	Chu	D16/230

D571,390 S * 6/2008 Yamada et al. D16/230
2007/0206158 A1 * 9/2007 Kinoshita et al. 353/52

* cited by examiner

Primary Examiner—Ian Simmons

Assistant Examiner—Wan Laymon

(74) *Attorney, Agent, or Firm*—Guice Patents PLLC

(57) **CLAIM**

The ornamental design for a solar illumination and projector, as shown and described.

DESCRIPTION

FIG. 1 is a perspective view of a solar illumination and projector showing the design;

FIG. 2 is a front side view thereof;

FIG. 3 is a left side view thereof;

FIG. 4 is a top plan view thereof;

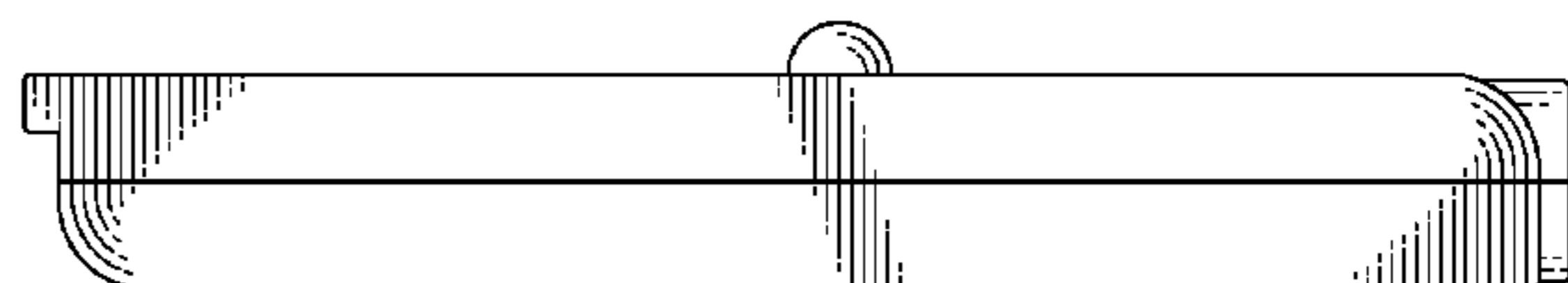
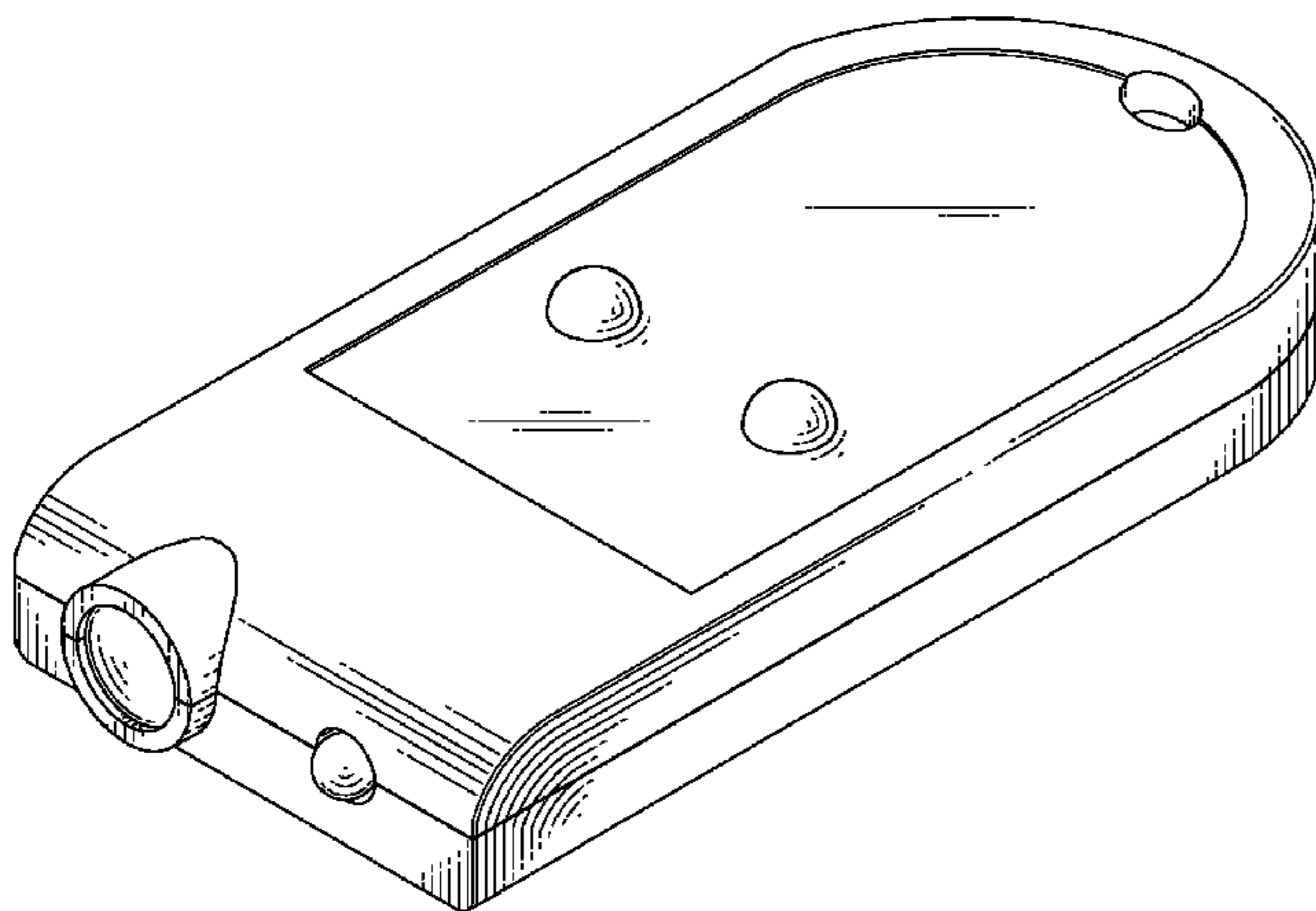
FIG. 5 is a bottom plan view thereof;

FIG. 6 is a rear side view thereof; and,

FIG. 7 is a right side view thereof.

The broken line showing portions of a solar illumination and projector is included for the purpose of illustrating environmental structure and forms no part of the claimed design.

1 Claim, 4 Drawing Sheets



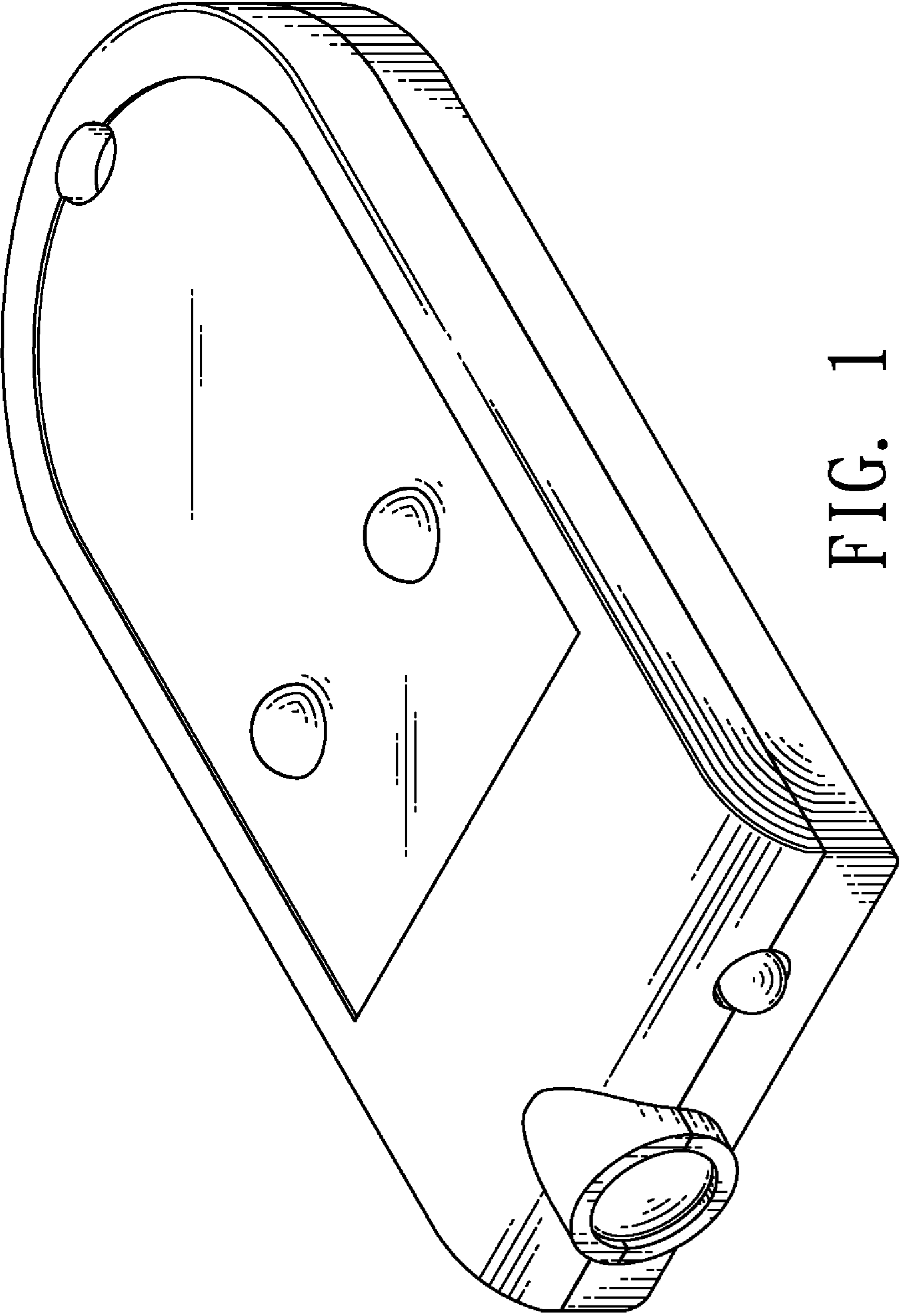


FIG. 1

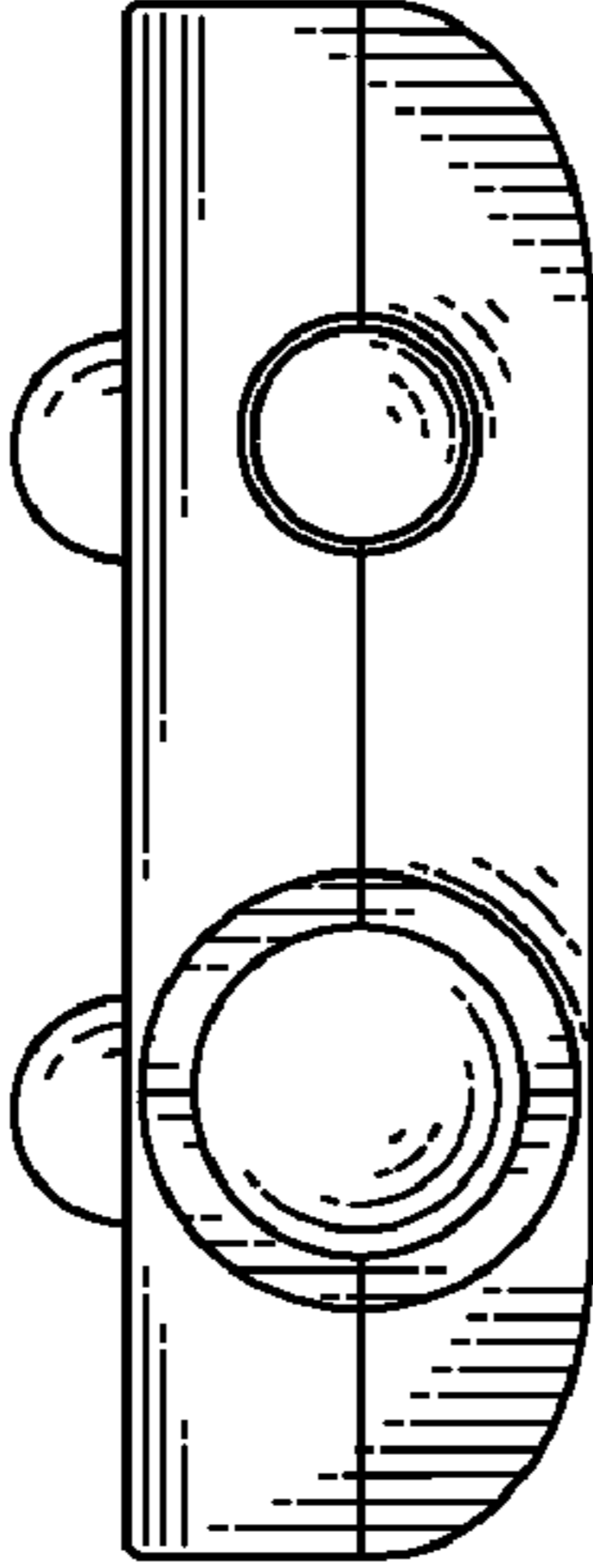


FIG. 2

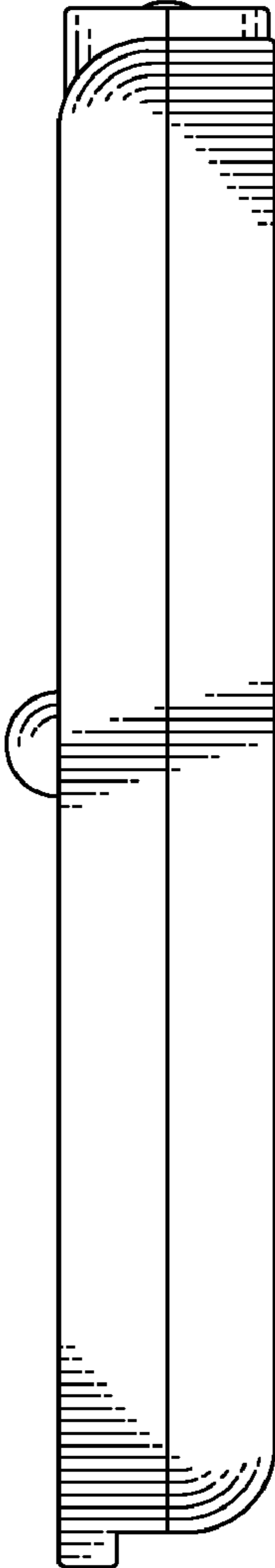


FIG. 3

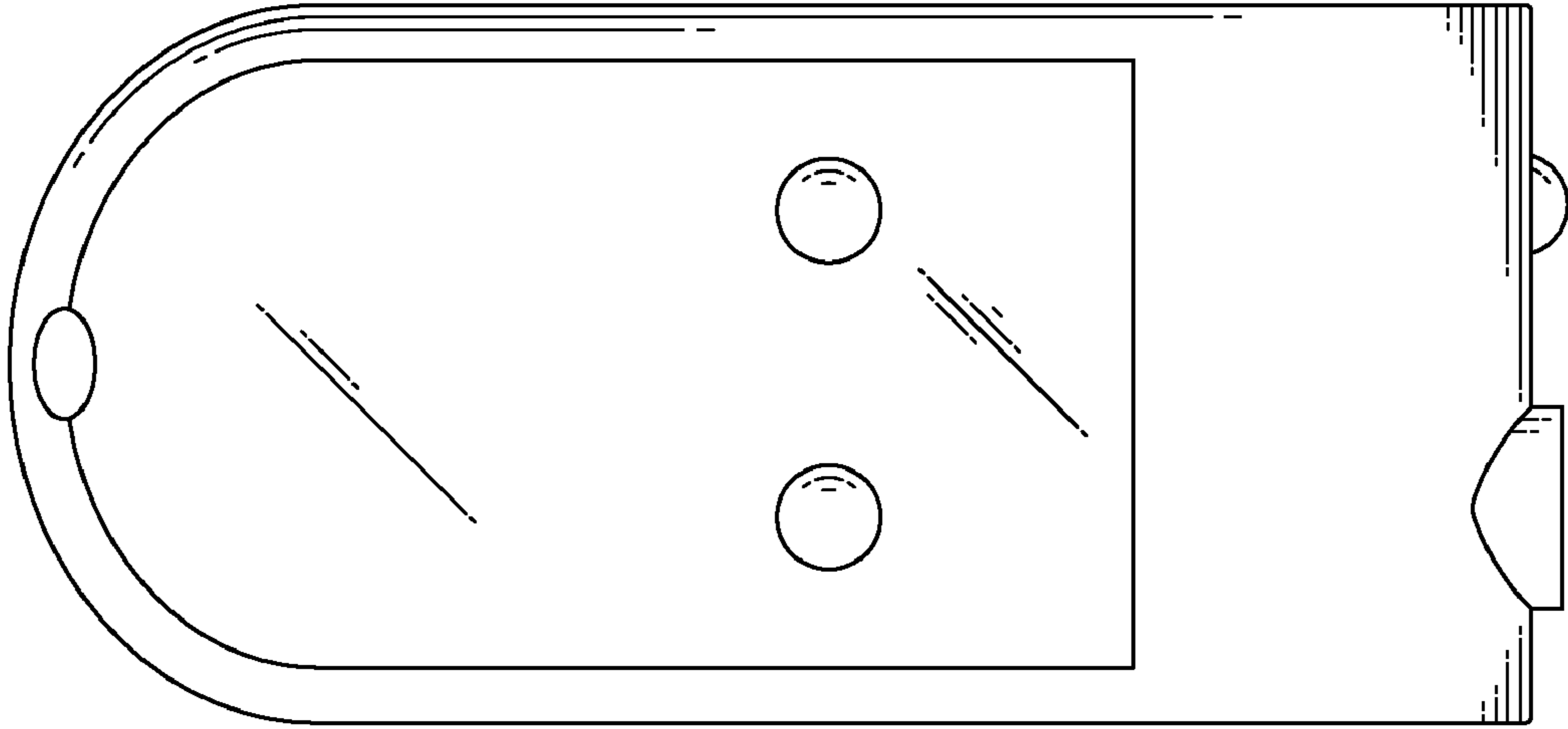


FIG. 4

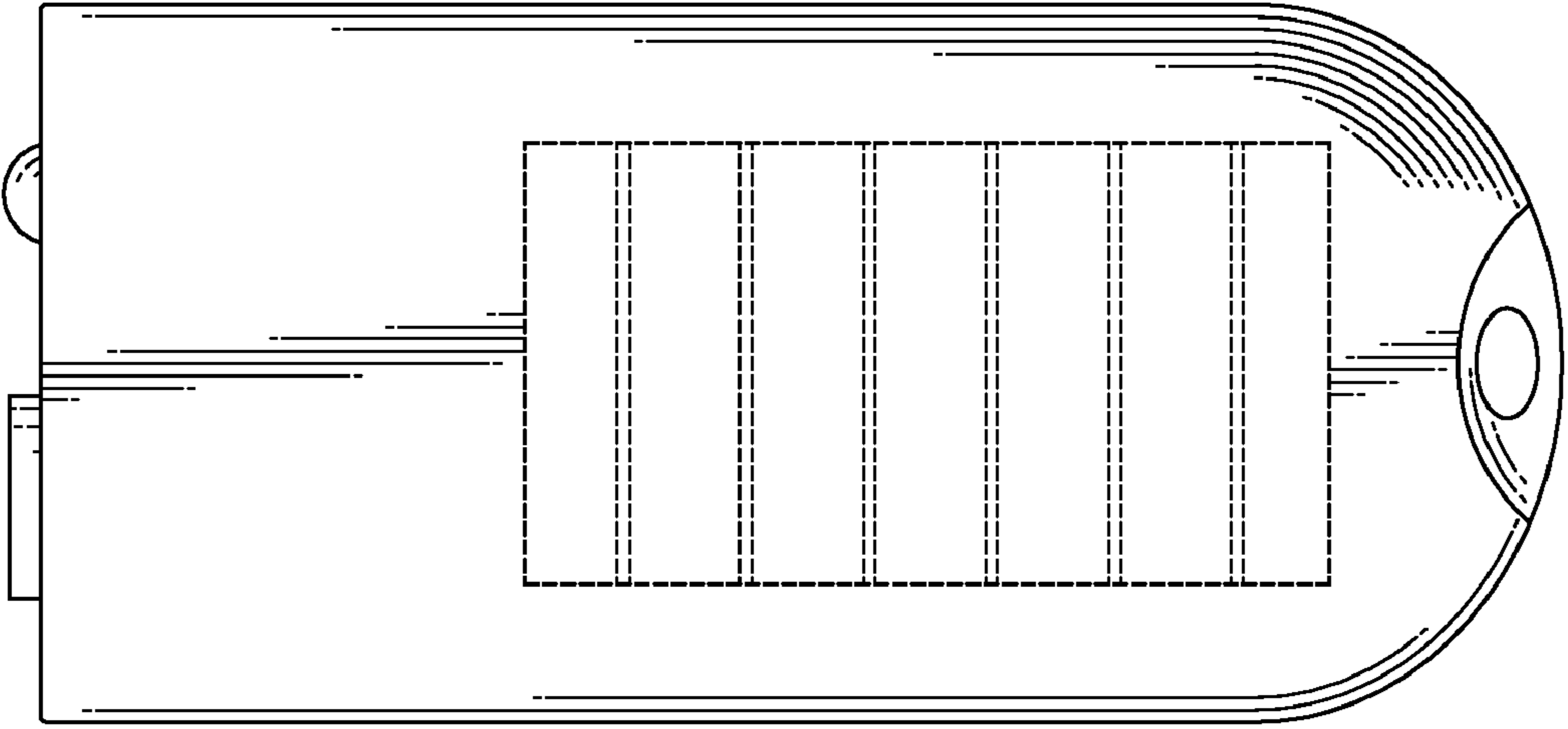


FIG. 5

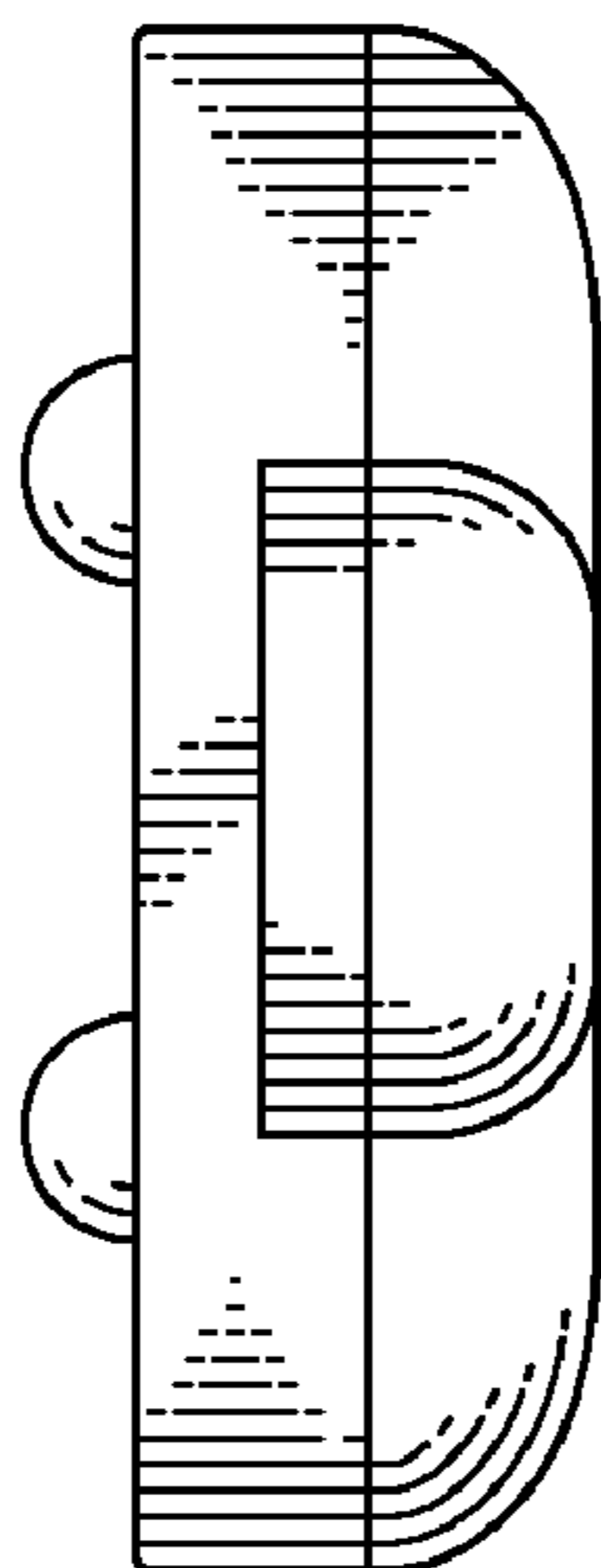


FIG. 6

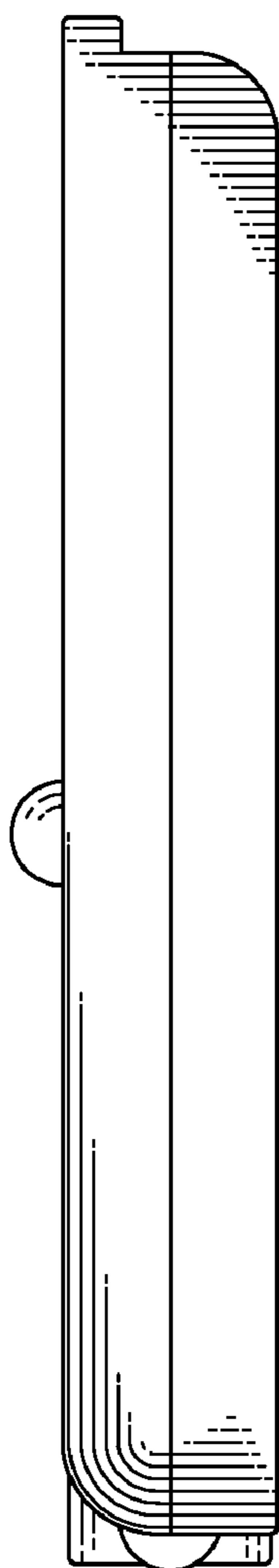


FIG. 7