



US00D618266S

(12) **United States Design Patent**
Imaeda

(10) **Patent No.:** **US D618,266 S**

(45) **Date of Patent:** **** Jun. 22, 2010**

(54) **CAMERA**

(75) Inventor: **Yuya Imaeda**, Tokyo (JP)

(73) Assignee: **Sony Computer Entertainment Inc.**,
Tokyo (JP)

(**) Term: **14 Years**

(21) Appl. No.: **29/347,136**

(22) Filed: **Sep. 29, 2009**

(30) **Foreign Application Priority Data**

Apr. 30, 2009 (JP) D2009-009920

(51) **LOC (9) Cl.** **16-01**

(52) **U.S. Cl.** **D16/218**

(58) **Field of Classification Search** D16/200–204,
D16/208, 209, 213, 218; 348/373–376; 396/535–541
See application file for complete search history.

(56) **References Cited**

U.S. PATENT DOCUMENTS

D378,095 S * 2/1997 Hasegawa D16/203
5,966,176 A * 10/1999 Chow et al. 348/373
6,124,892 A * 9/2000 Nakano 348/373
D510,374 S * 10/2005 Greenwood et al. D16/203
D530,731 S * 10/2006 Tanaka et al. D16/202

D530,732 S * 10/2006 Tanaka et al. D16/202
D559,882 S 1/2008 Nakamura
D559,883 S * 1/2008 Nakamura D16/218
D560,245 S * 1/2008 Nakamura D16/218
D560,246 S 1/2008 Nakamura
D586,836 S * 2/2009 Liow et al. D16/218

* cited by examiner

Primary Examiner—Adir Aronovich

(74) *Attorney, Agent, or Firm*—Rader, Fishman & Grauer
PLLC

(57) **CLAIM**

The ornamental design for a camera, as shown and described.

DESCRIPTION

FIG. 1 is a front elevational of a camera showing my new design;

FIG. 2 is a rear elevational view thereof;

FIG. 3 is a left side elevational view thereof;

FIG. 4 is a right side elevational view thereof;

FIG. 5 is a top plan view thereof;

FIG. 6 is a bottom plan view thereof;

FIG. 7 is a top, rear, right perspective view thereof; and,

FIG. 8 is a bottom, front, left perspective view thereof.

1 Claim, 7 Drawing Sheets

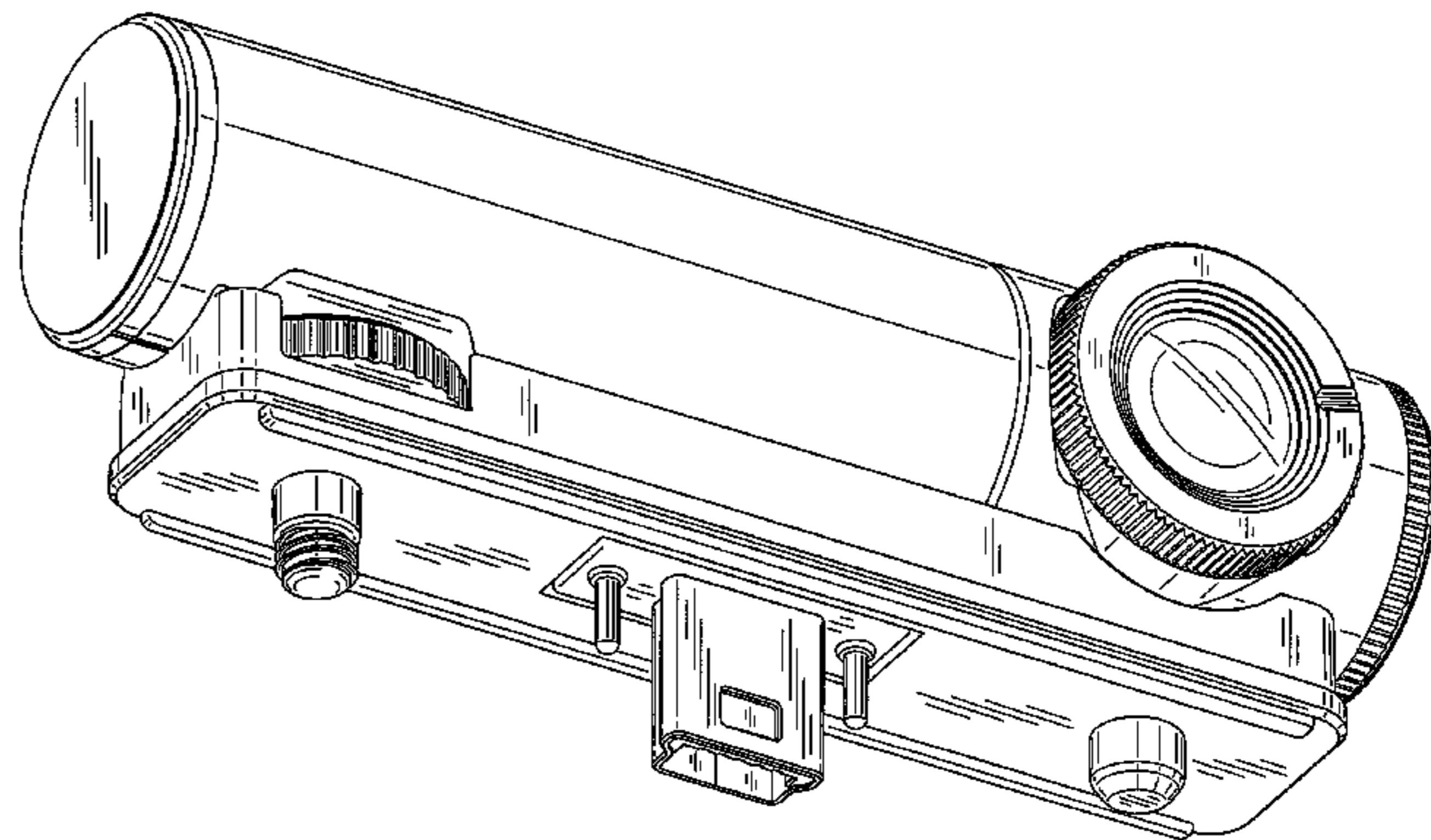
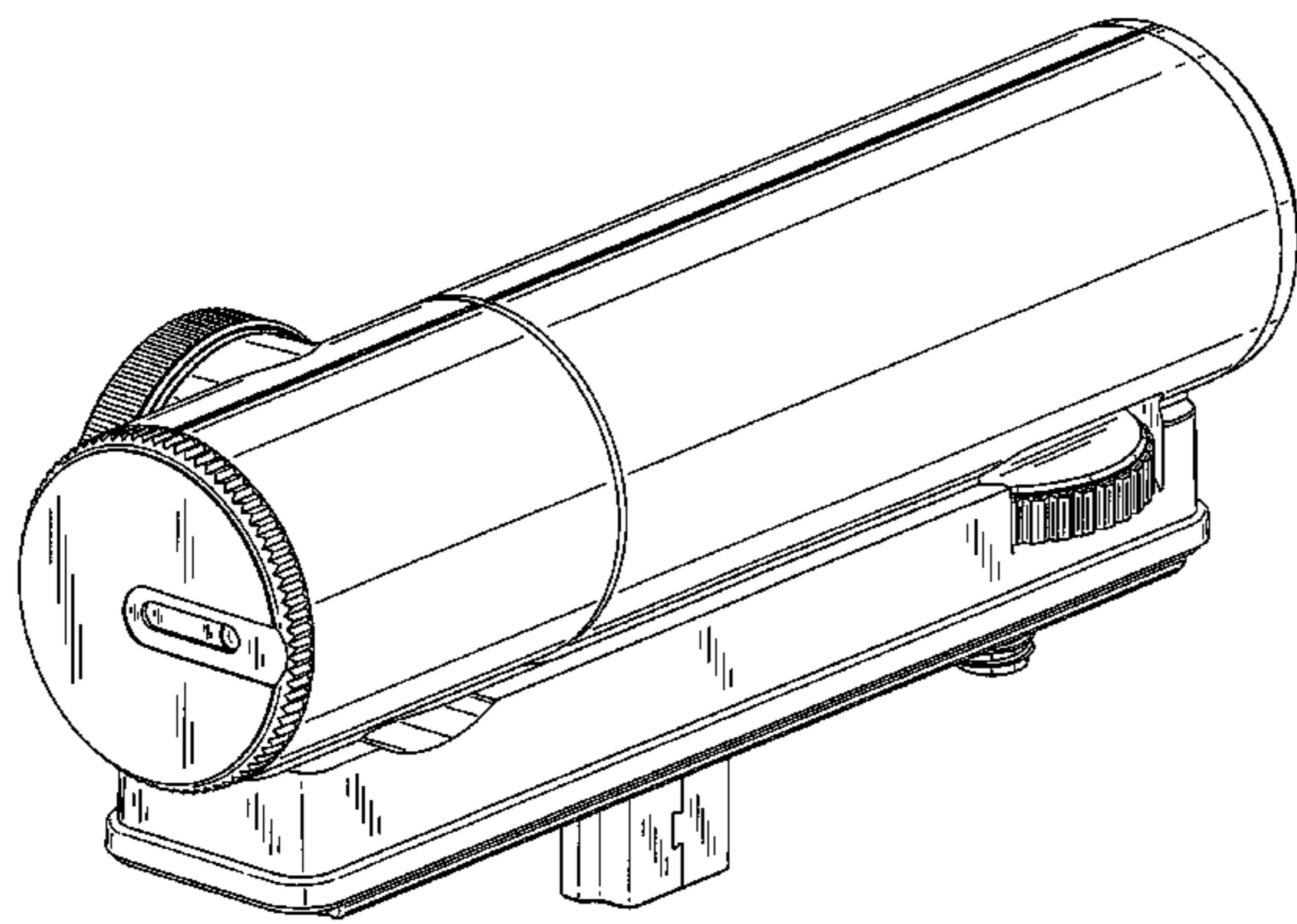


FIG.1

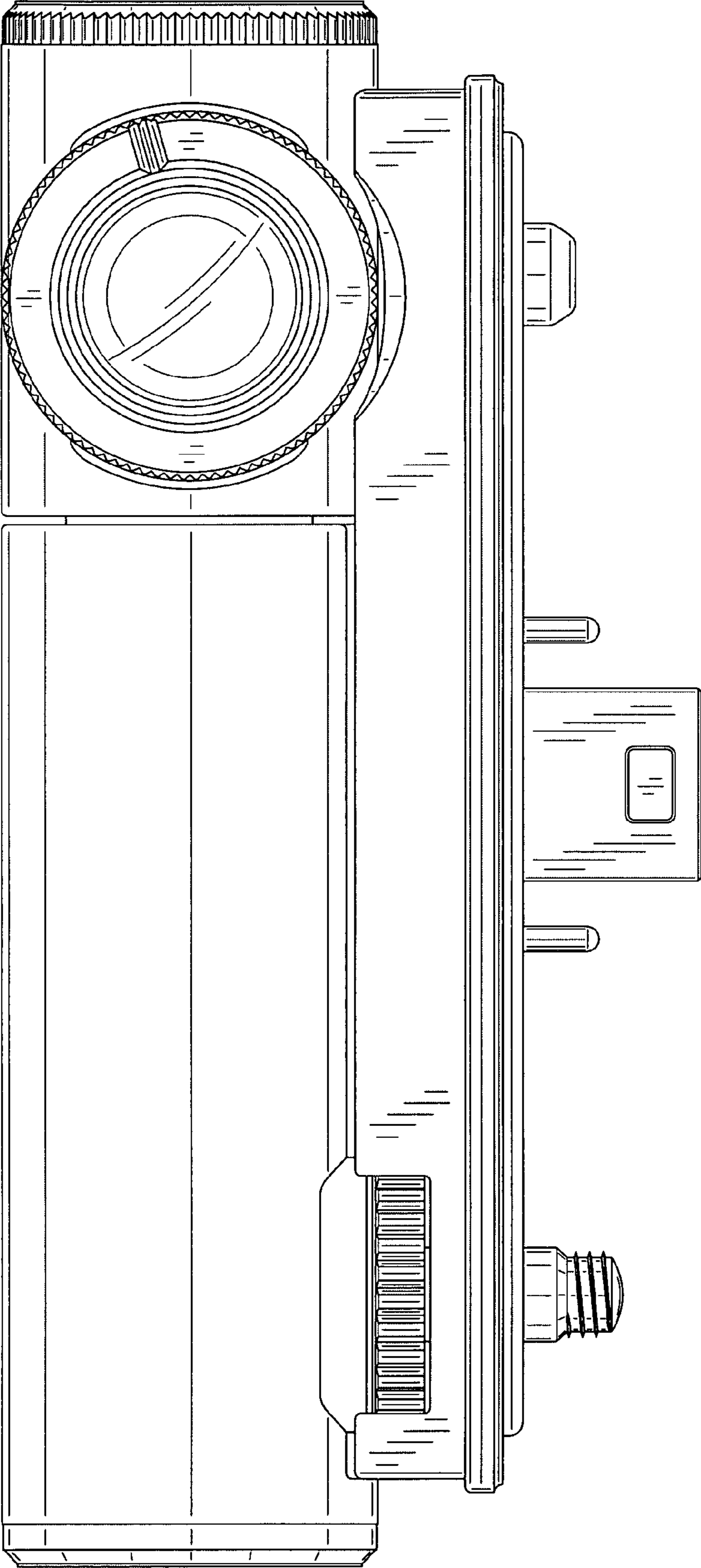


FIG.2

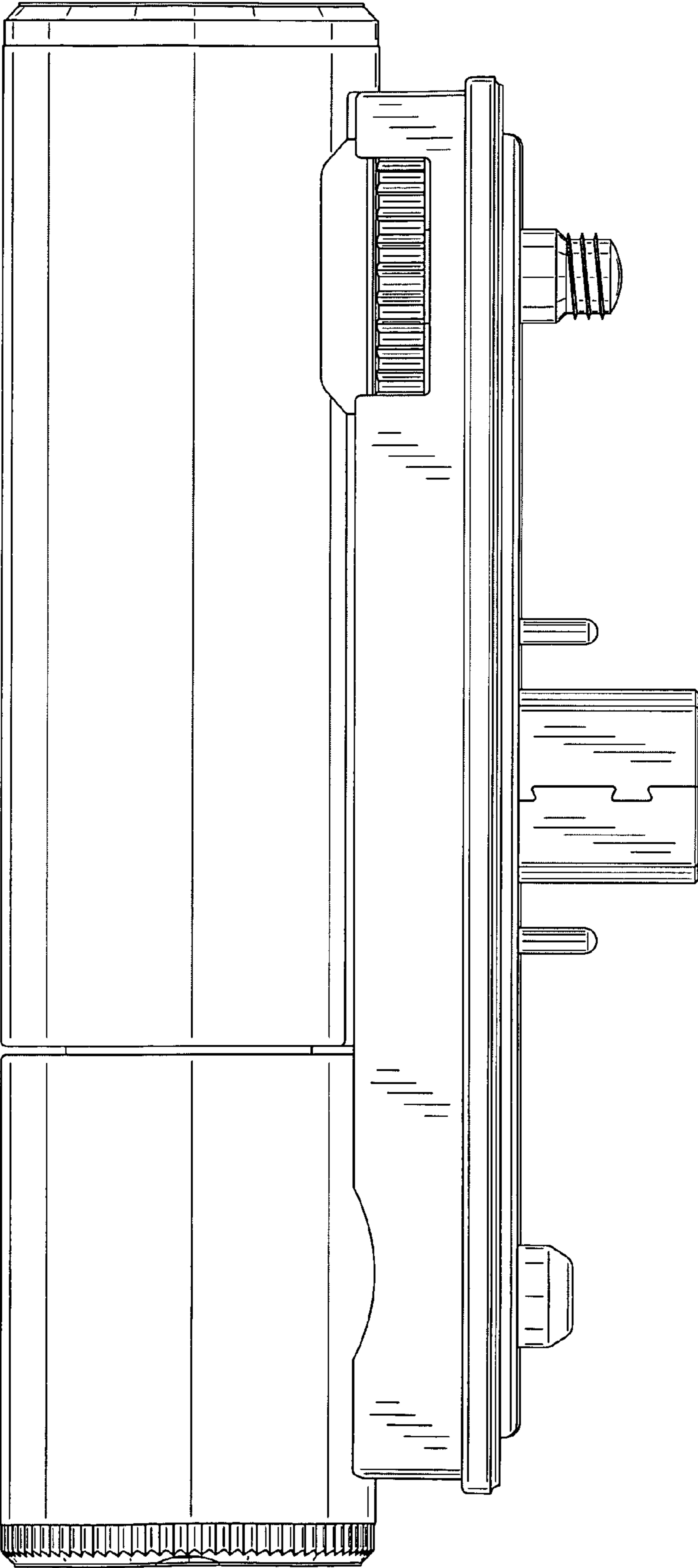


FIG.4

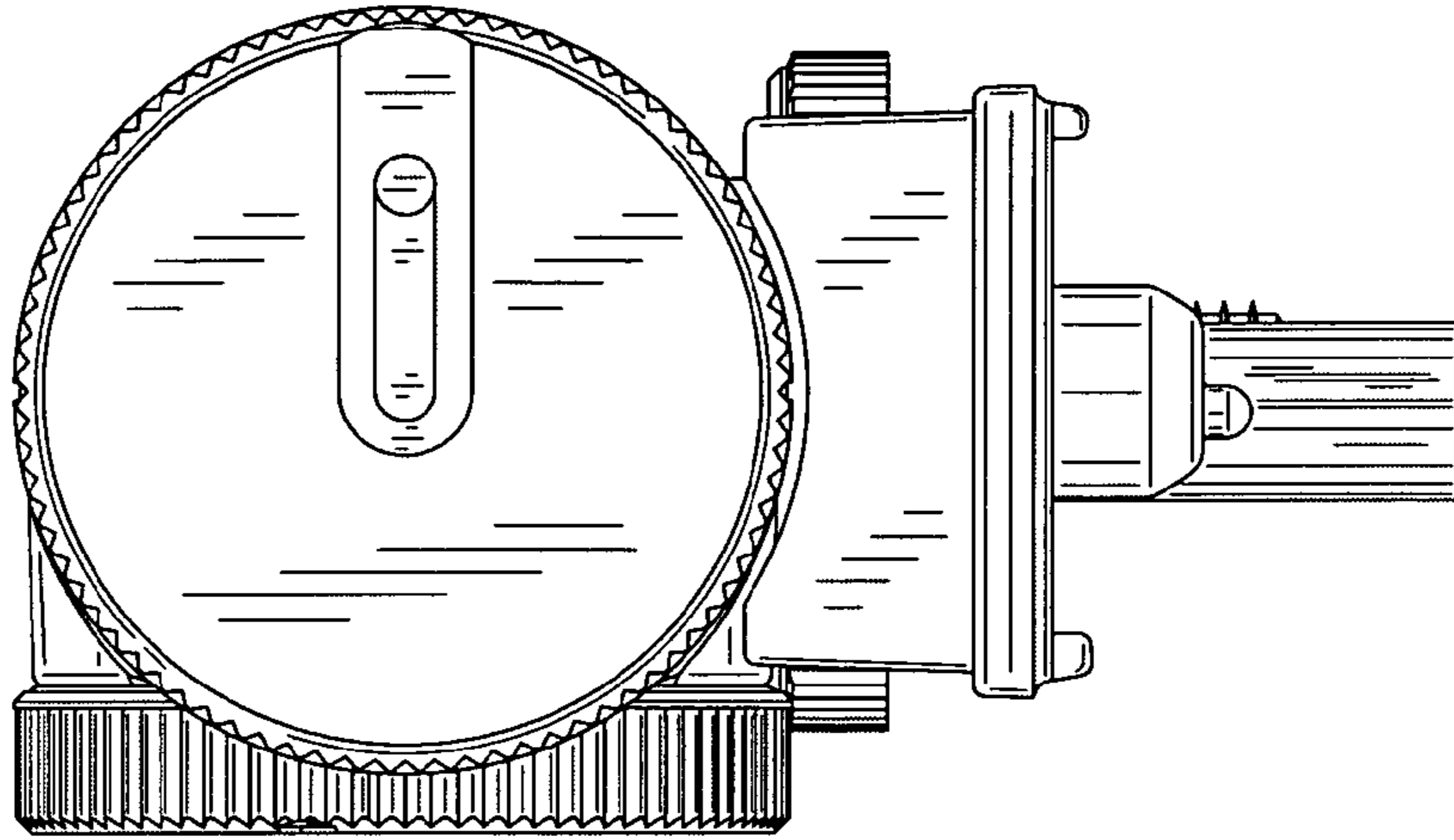


FIG.3

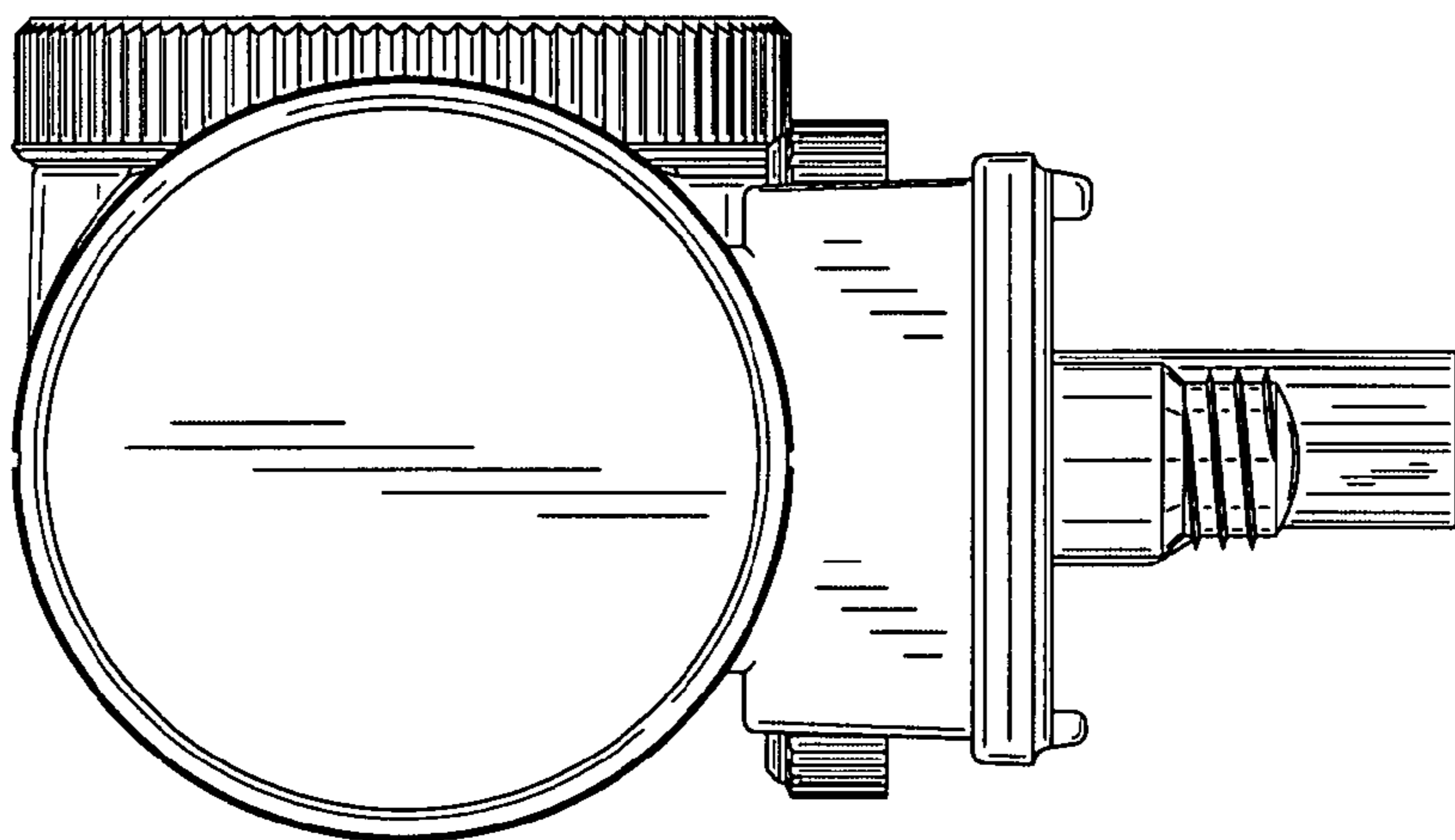


FIG.5

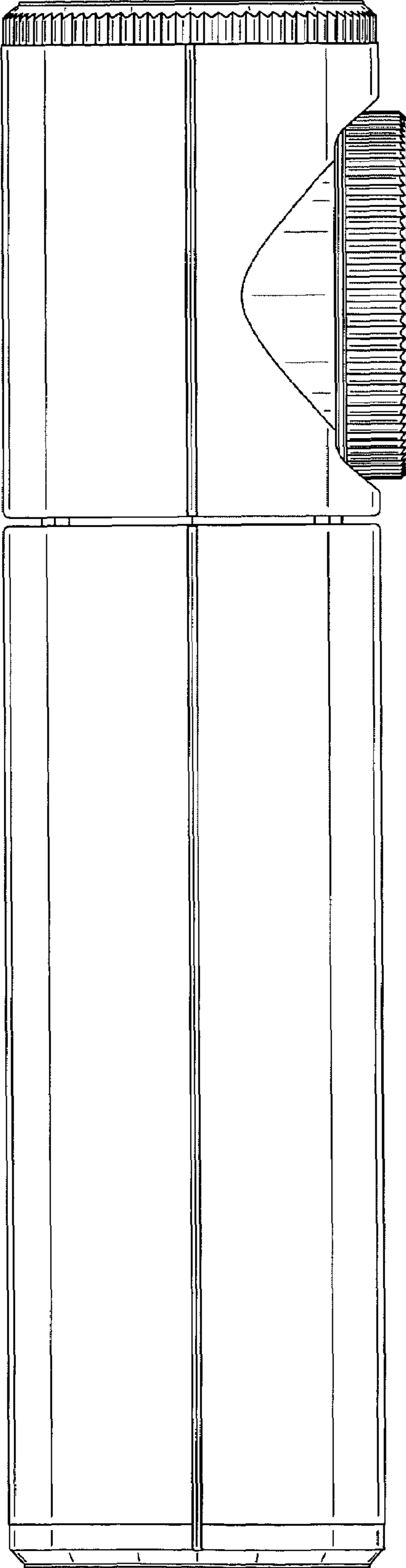
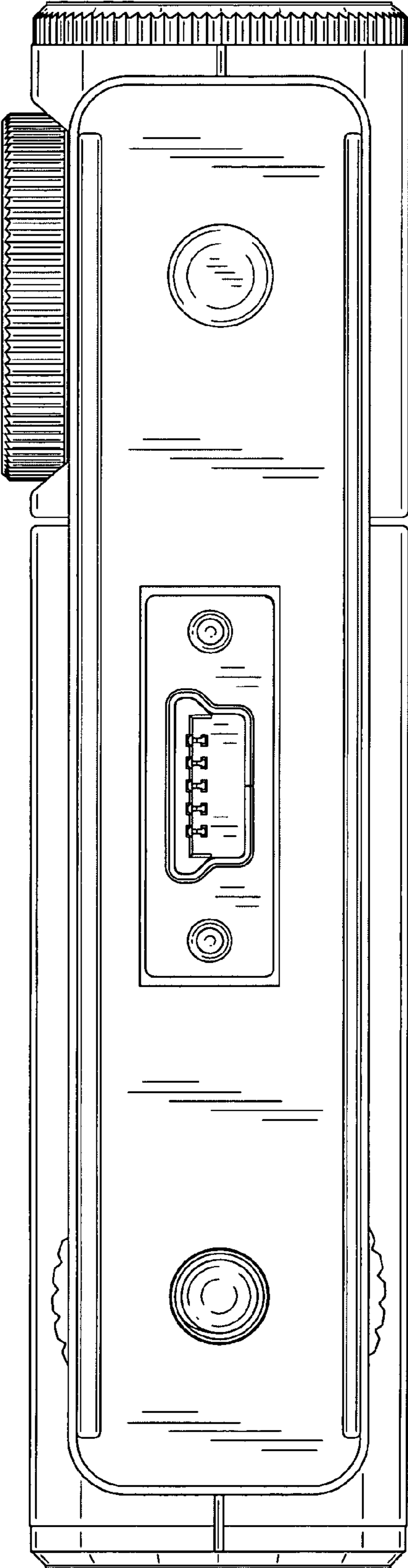


FIG.6



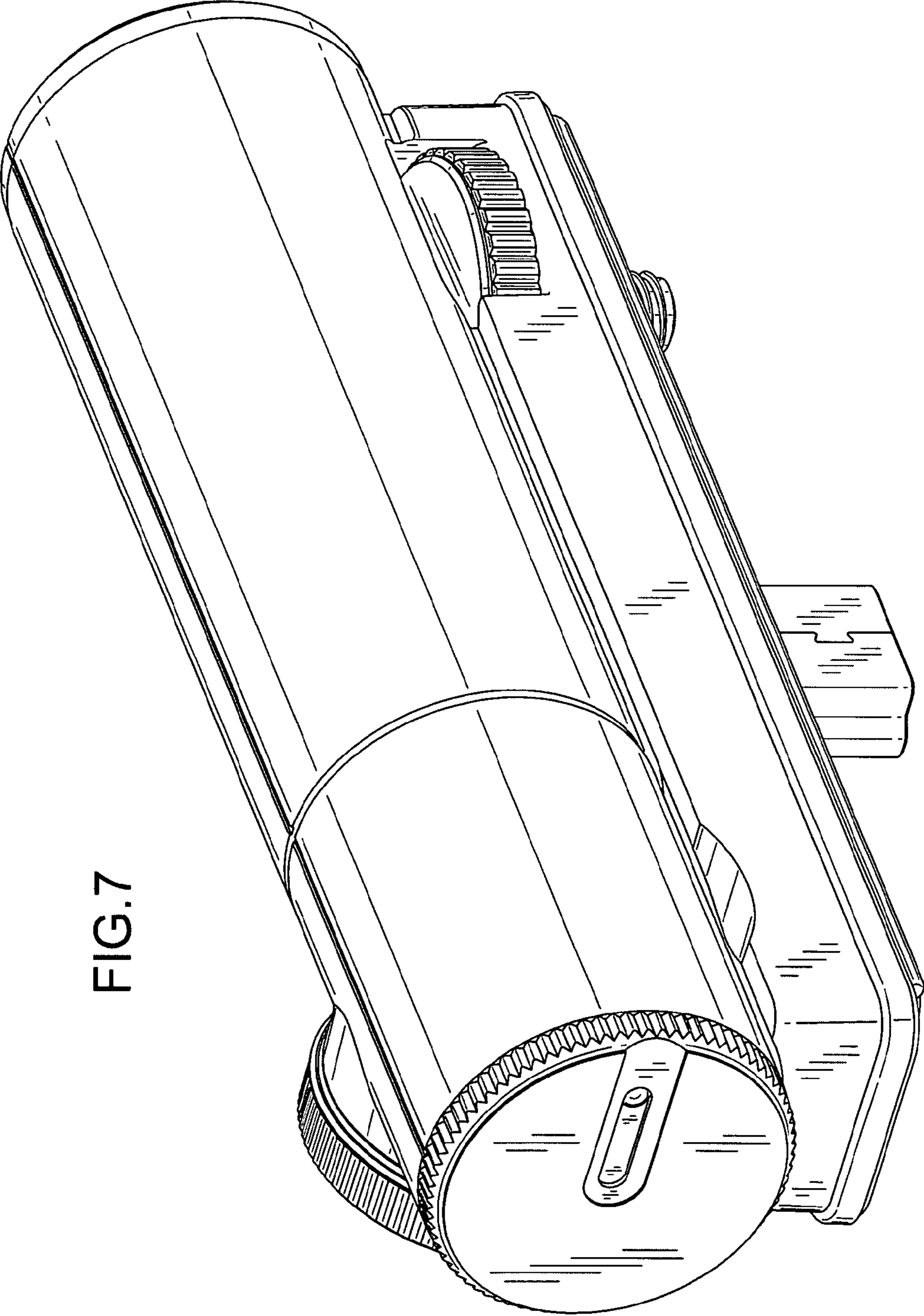


FIG. 7

FIG.8

