



US00D618263S

(12) **United States Design Patent**
Siegfried

(10) **Patent No.:** **US D618,263 S**
(45) **Date of Patent:** **** Jun. 22, 2010**

- (54) **ANGULAR GEAR**
- (75) Inventor: **Ebner Siegfried**, Zwell am See (AT)
- (73) Assignee: **Wittenstein AG**, Igersheim (DE)
- (**) Term: **14 Years**
- (21) Appl. No.: **29/314,527**
- (22) Filed: **Apr. 6, 2009**

Related U.S. Application Data

- (62) Division of application No. 29/292,201, filed on Oct. 2, 2007.

Foreign Application Priority Data

- Apr. 3, 2007 (EM) 000701081-0001
- Apr. 3, 2007 (EM) 000701081-0002

- (51) **LOC (9) Cl.** **15-09**
- (52) **U.S. Cl.** **D15/148**
- (58) **Field of Classification Search** D15/143,
D15/148-149; 73/862.191, 862.338; 74/409,
74/416-417, 420, 421 A, 424, 606 R, 606 A,
74/665 GC, 665 H
See application file for complete search history.

(56) **References Cited**

U.S. PATENT DOCUMENTS

- D138,216 S * 7/1944 Nardone D15/149
- 5,634,374 A * 6/1997 Depietri 74/420
- D479,541 S * 9/2003 Lannoch D15/148

- D479,725 S * 9/2003 Lannoch D15/148
- D514,607 S * 2/2006 Wittenstein D15/148
- D529,059 S * 9/2006 Lin D15/148
- D529,939 S * 10/2006 Wilhelm et al. D15/148
- D549,259 S * 8/2007 Wittenstein D15/149
- D575,175 S * 8/2008 Suzuki D10/85
- 2005/0193851 A1 * 9/2005 Nett 74/417

* cited by examiner

Primary Examiner—Sandra Snapp
Assistant Examiner—Patricia Palasik
(74) *Attorney, Agent, or Firm*—Bachman & LaPointe, P.C.

(57) **CLAIM**

The ornamental design for an angular gear, as shown and described.

DESCRIPTION

FIG. 1 shows a perspective front view of a first embodiment of an angular gear showing my new design.

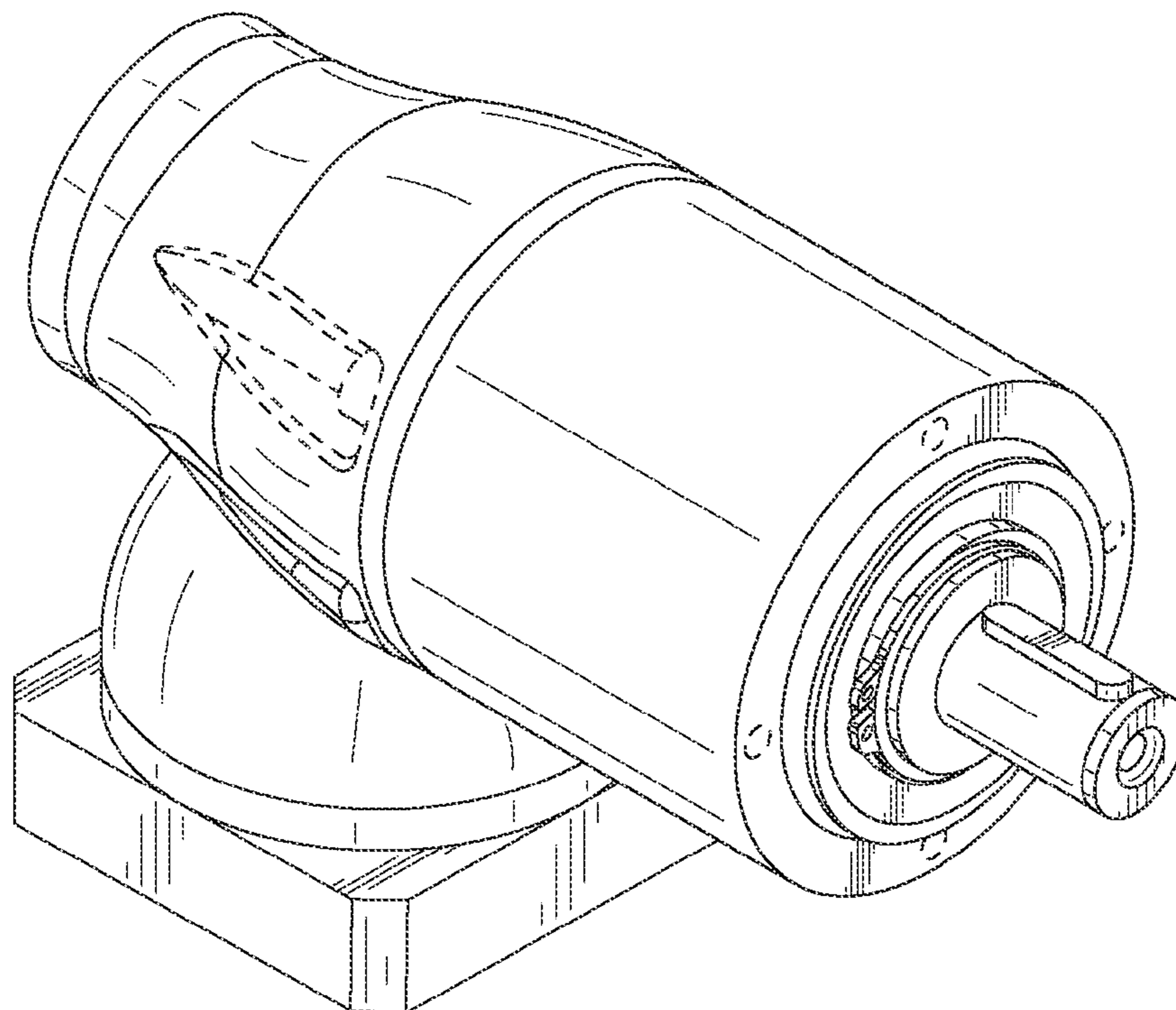
FIGS. 2 and 3 show the front and rear views respectively of the angular gear of FIG. 1.

FIG. 4 shows a top plan view of the angular gear of FIG. 1 and FIG. 5 shows the bottom plan view of the angular gear of FIG. 1 with an adapter plate shown in broken lines forming no part of the claimed design; and,

FIGS. 6 and 7 show the respective side views of the angular gear of FIG. 1.

The features shown in dotted lines in FIGS. 1-7 are hereby disclaimed.

1 Claim, 4 Drawing Sheets



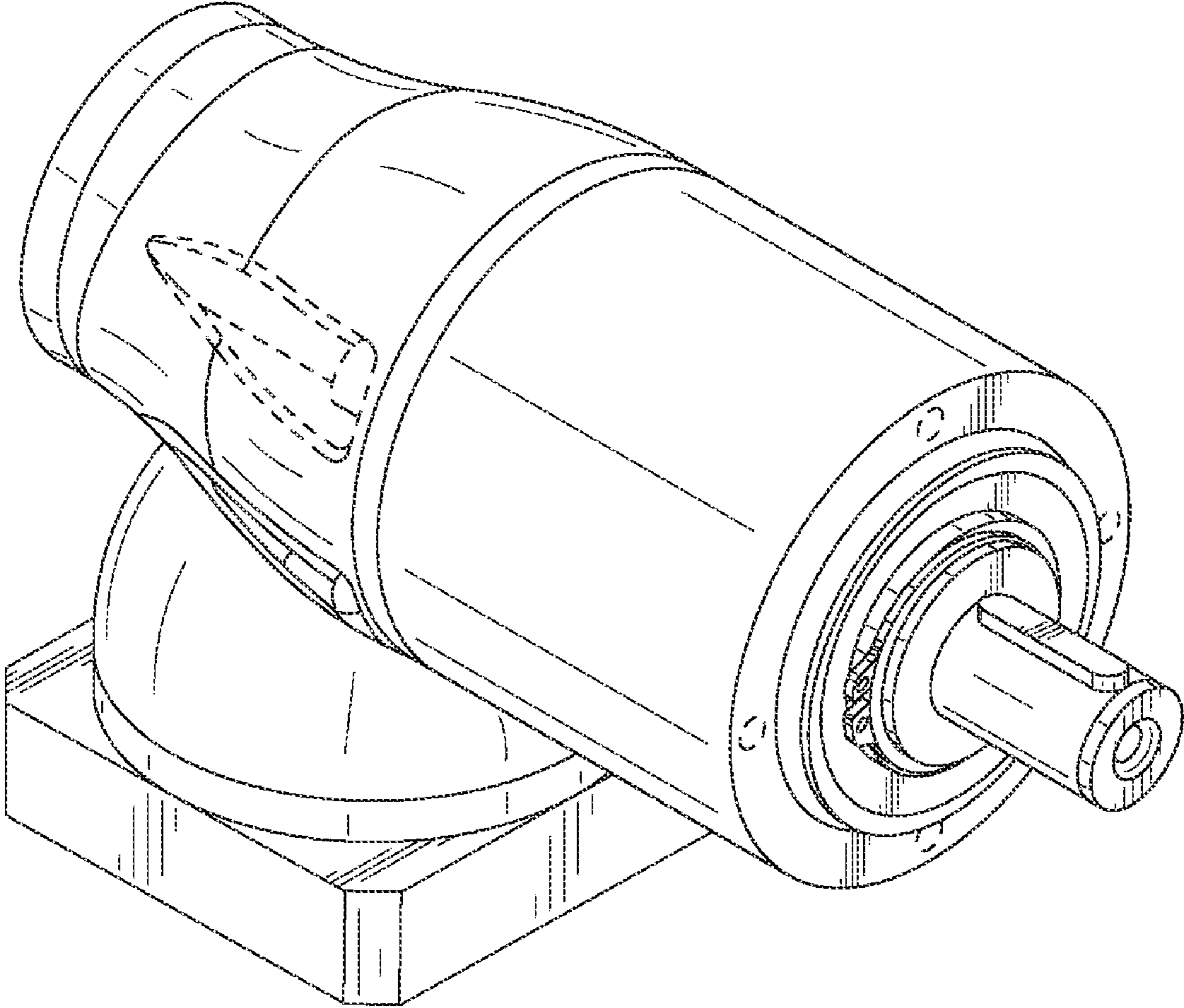


FIG. 1

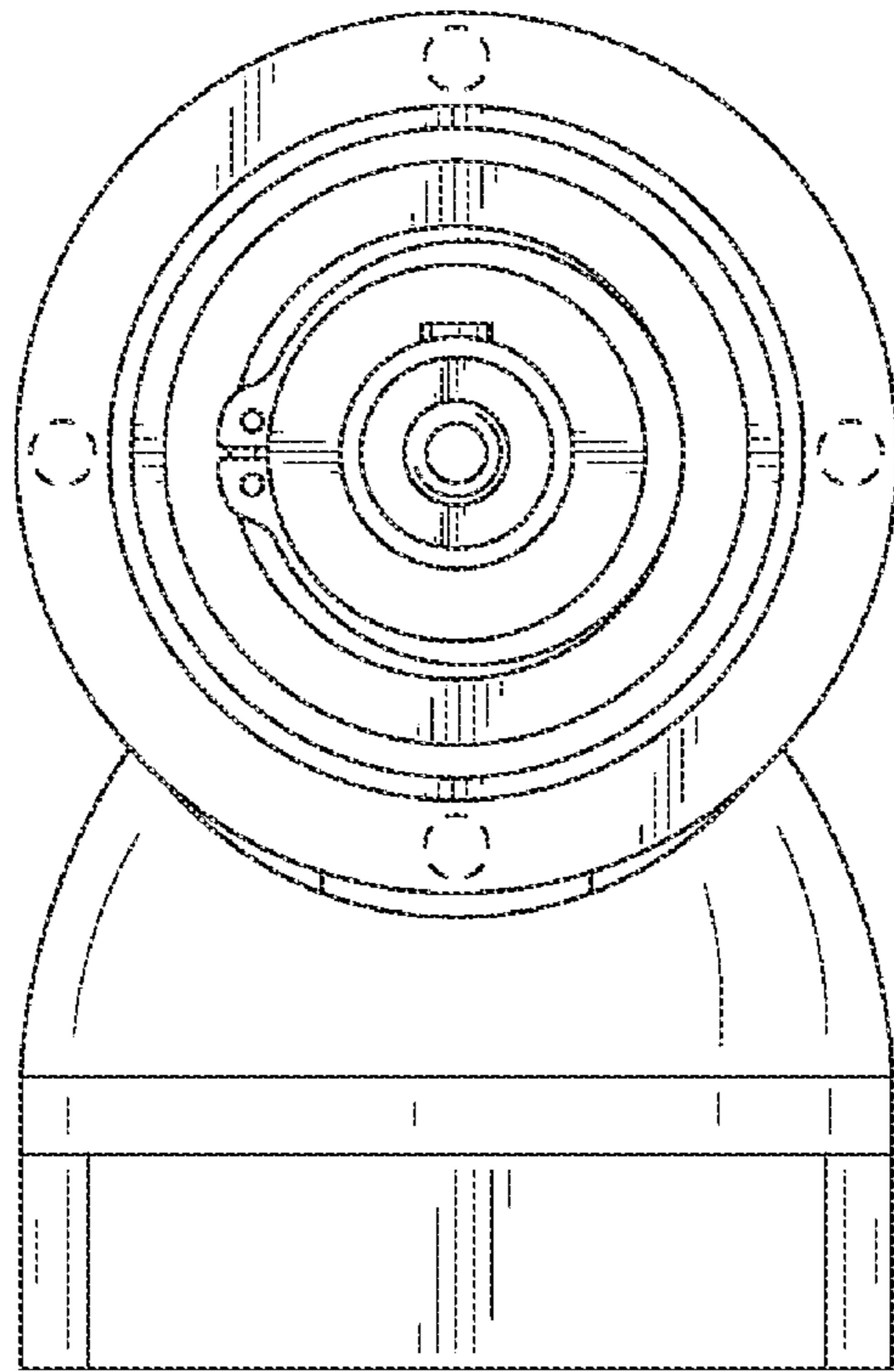


FIG. 2

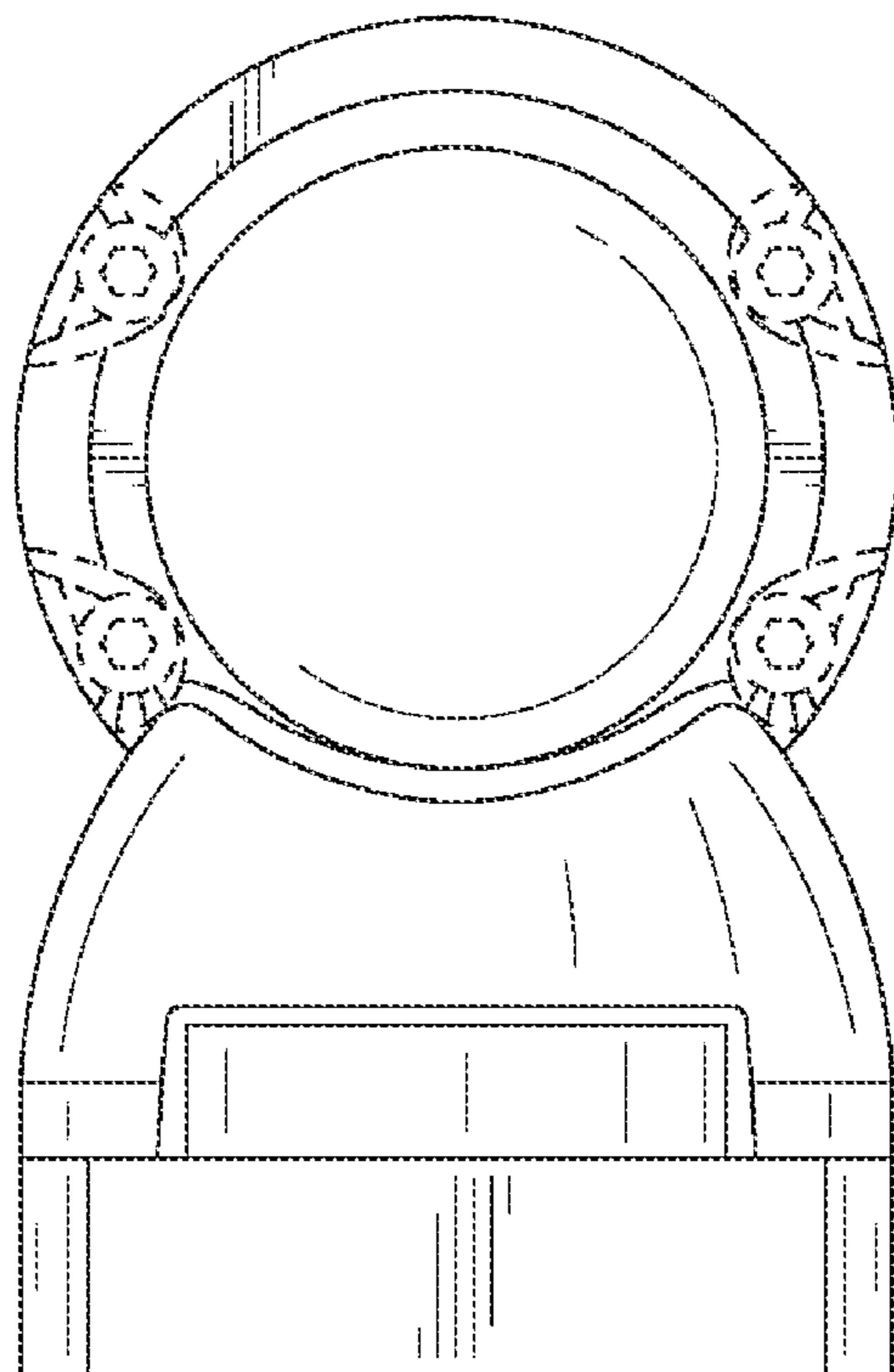


FIG. 3

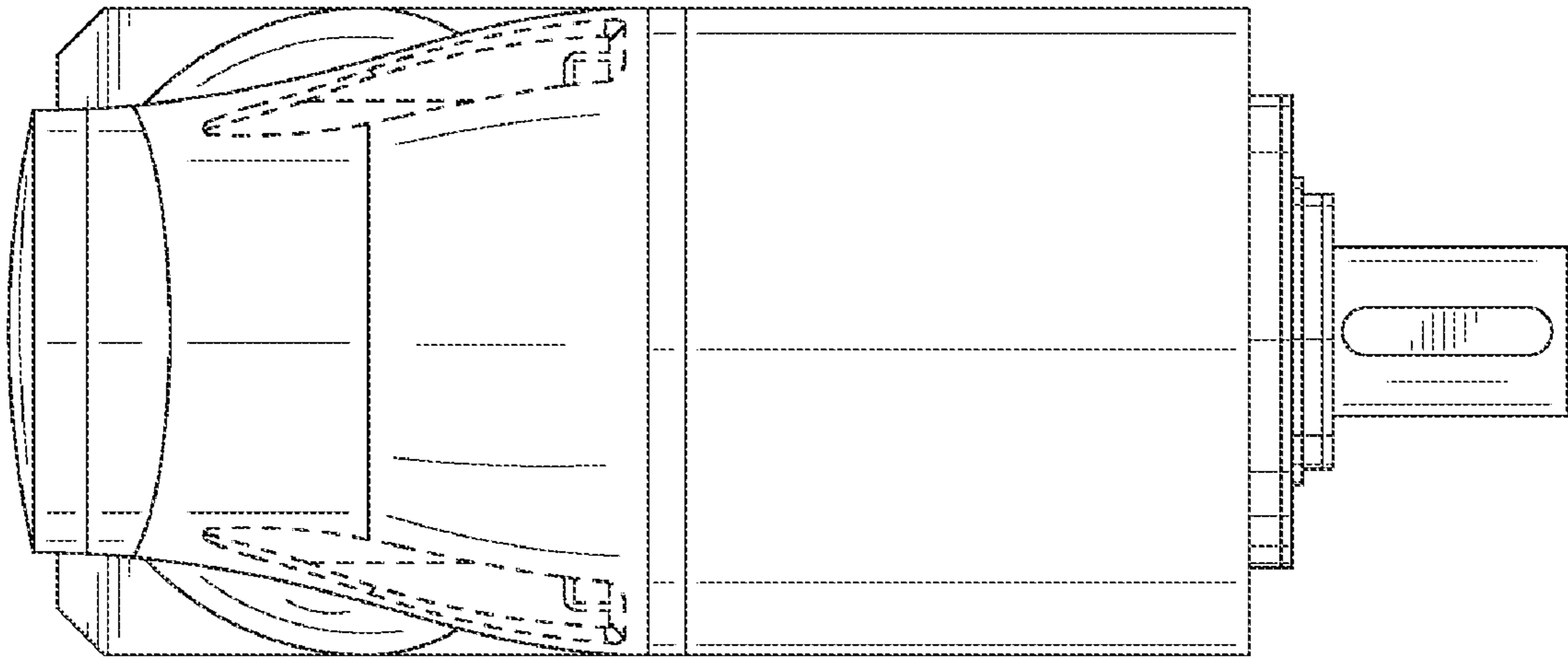


FIG. 4

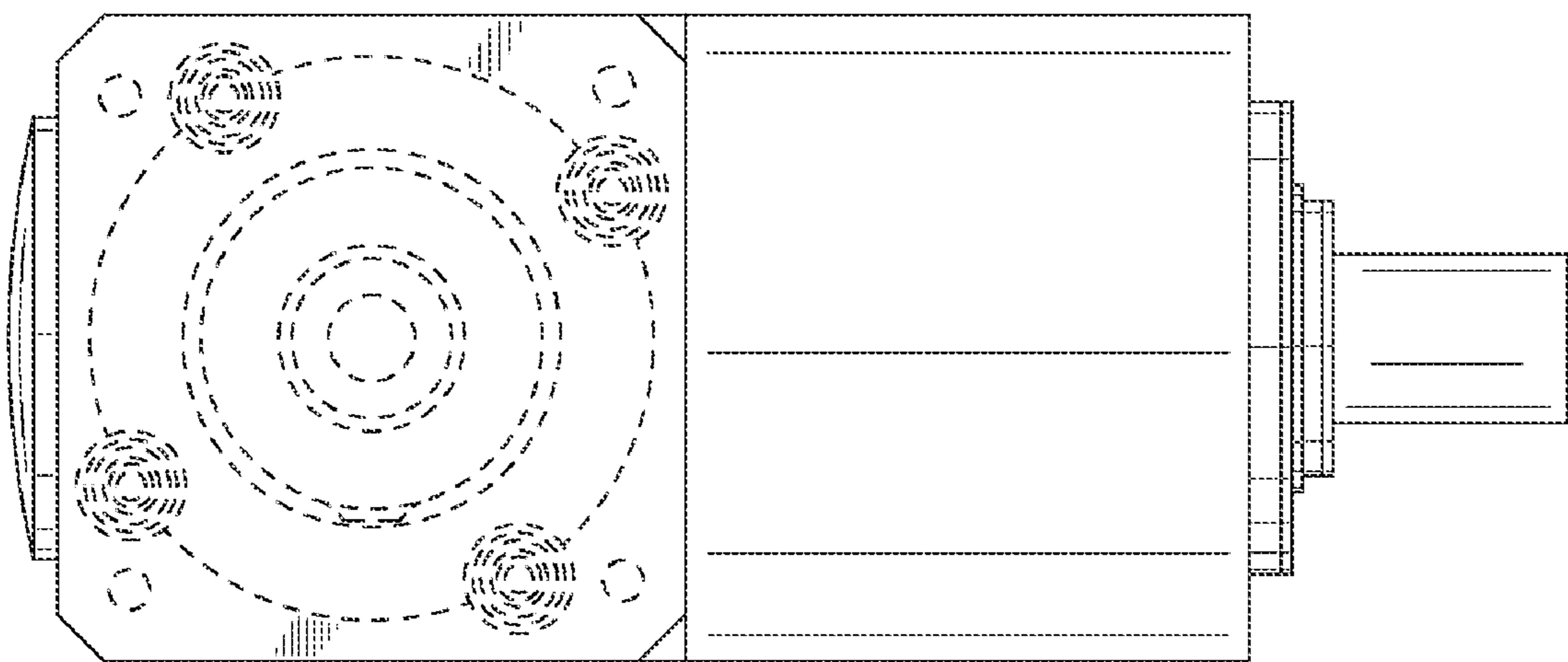


FIG. 5

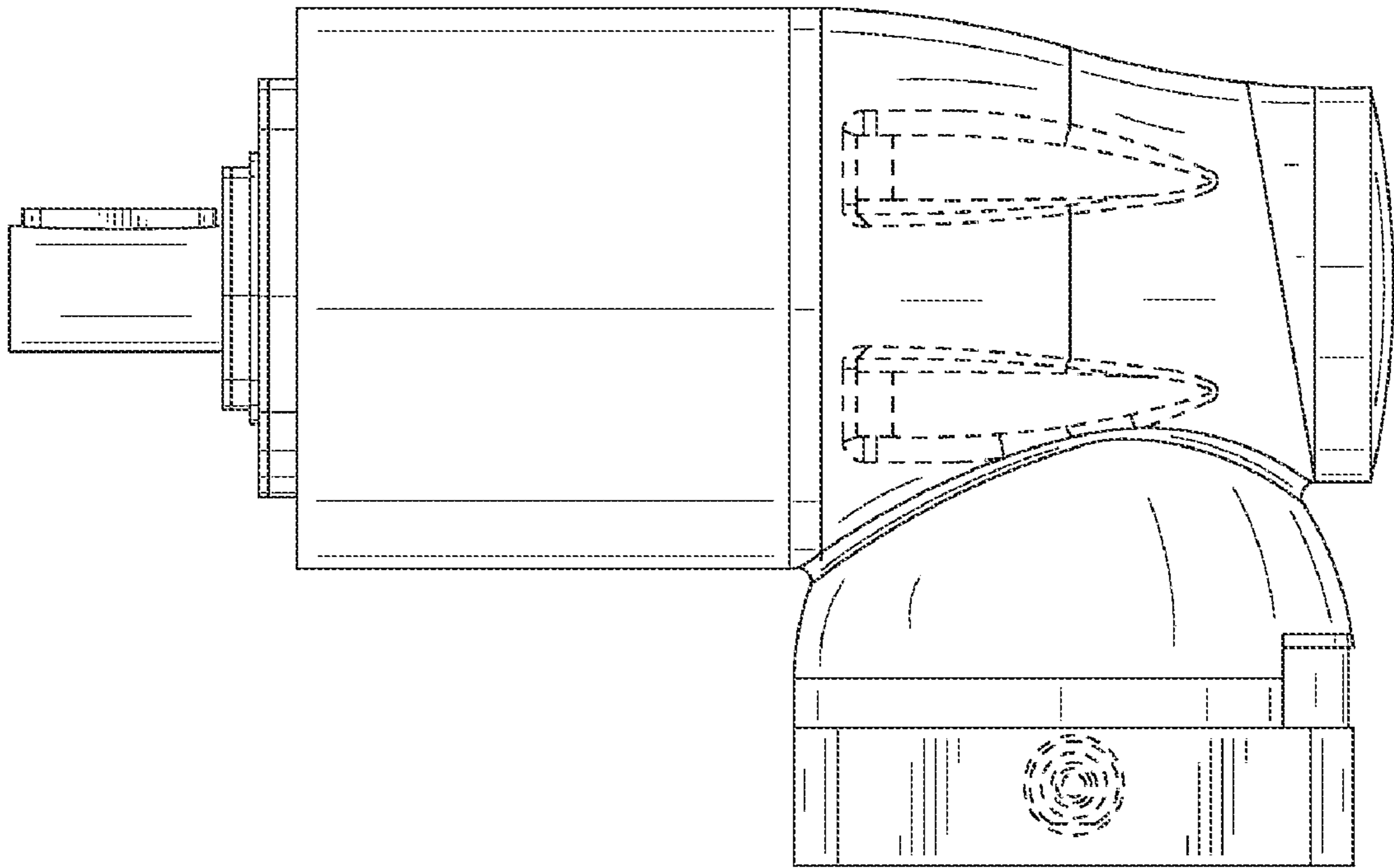


FIG. 6

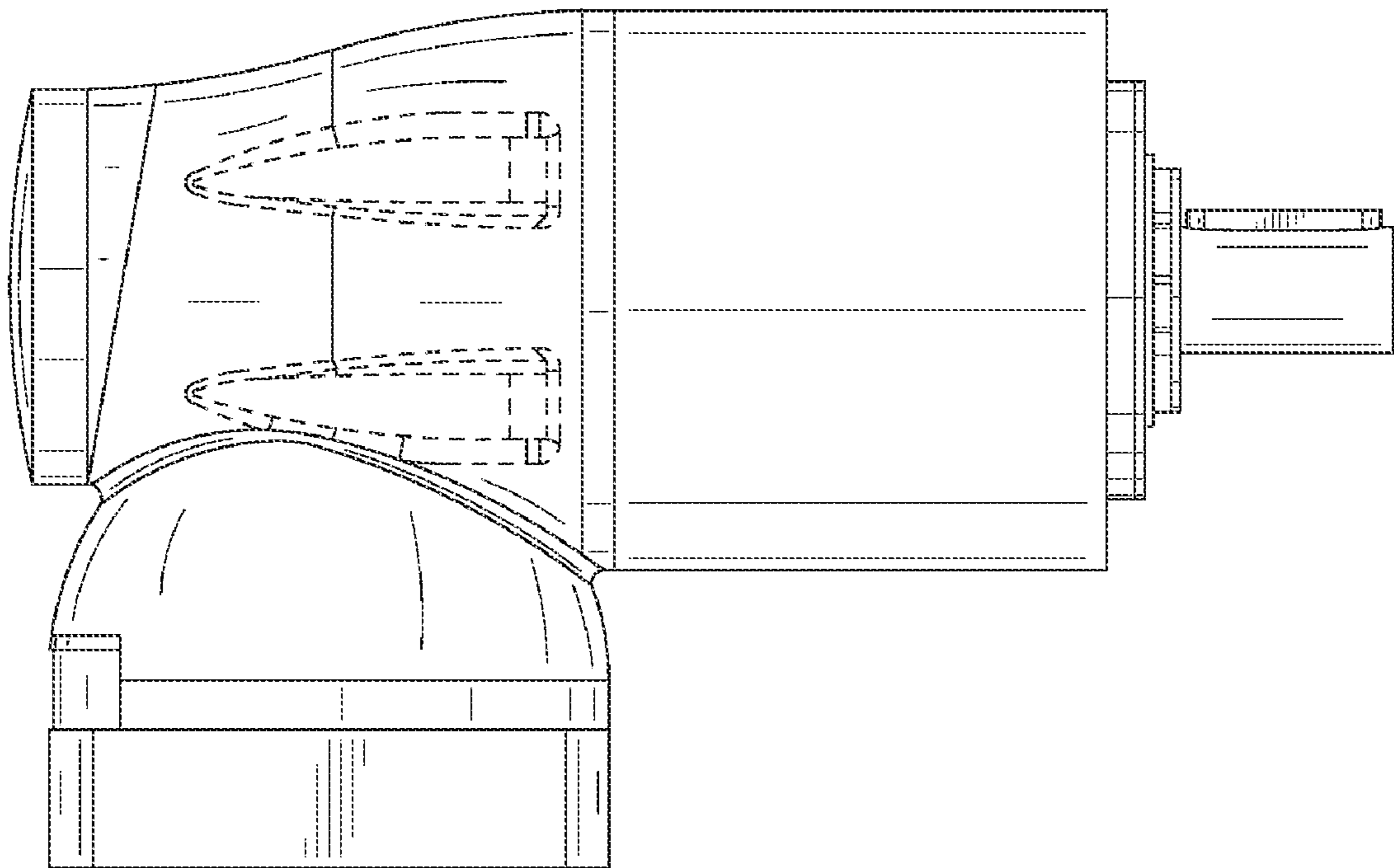


FIG. 7