



US00D618262S

(12) **United States Design Patent**  
**Siegfried**

(10) **Patent No.:** **US D618,262 S**  
(45) **Date of Patent:** **\*\* Jun. 22, 2010**

(54) **ANGULAR GEAR**

(75) Inventor: **Ebner Siegfried**, Zwell am See (AT)

(73) Assignee: **Wittenstein AG**, Igersheim (DE)

(\*\*) Term: **14 Years**

(21) Appl. No.: **29/292,201**

(22) Filed: **Oct. 2, 2007**

(30) **Foreign Application Priority Data**

Apr. 3, 2007 (EM) ..... 000701081-0001  
Apr. 3, 2007 (EM) ..... 000701081-0002

(51) **LOC (9) Cl.** ..... **15-09**

(52) **U.S. Cl.** ..... **D15/148**

(58) **Field of Classification Search** ..... D15/148-149;  
73/862.191, 862.338; 74/409, 416-417,  
74/421 A, 606 R, 606 A

See application file for complete search history.

(56) **References Cited**

**U.S. PATENT DOCUMENTS**

D138,216 S \* 7/1944 Nardone ..... D15/149  
D239,319 S \* 3/1976 Matousek ..... D15/148  
D239,562 S \* 4/1976 Matousek ..... D13/112  
5,634,374 A \* 6/1997 Depietri ..... 74/420  
D479,541 S \* 9/2003 Lannoch ..... D15/148  
D479,725 S \* 9/2003 Lannoch ..... D15/148  
D497,374 S \* 10/2004 Wittenstein ..... D15/148  
D514,607 S \* 2/2006 Wittenstein ..... D15/148

D529,059 S \* 9/2006 Lin ..... D15/148  
D529,939 S \* 10/2006 Wilhelm et al. .... D15/148  
D543,565 S \* 5/2007 Kopecki ..... D15/149  
D549,259 S \* 8/2007 Wittenstein ..... D15/149  
D575,175 S \* 8/2008 Suzuki ..... D10/85  
2005/0193851 A1 \* 9/2005 Nett ..... 74/417

\* cited by examiner

*Primary Examiner*—Sandra Snapp

*Assistant Examiner*—Patricia Palasik

(74) *Attorney, Agent, or Firm*—Bachman & LaPointe, P.C.

(57) **CLAIM**

The ornamental design for an angular gear, as shown and described.

**DESCRIPTION**

FIG. 1 shows a perspective front view of an angular gear.

FIGS. 2 and 3 show the front and rear views respectively of the angular gear of FIG. 1.

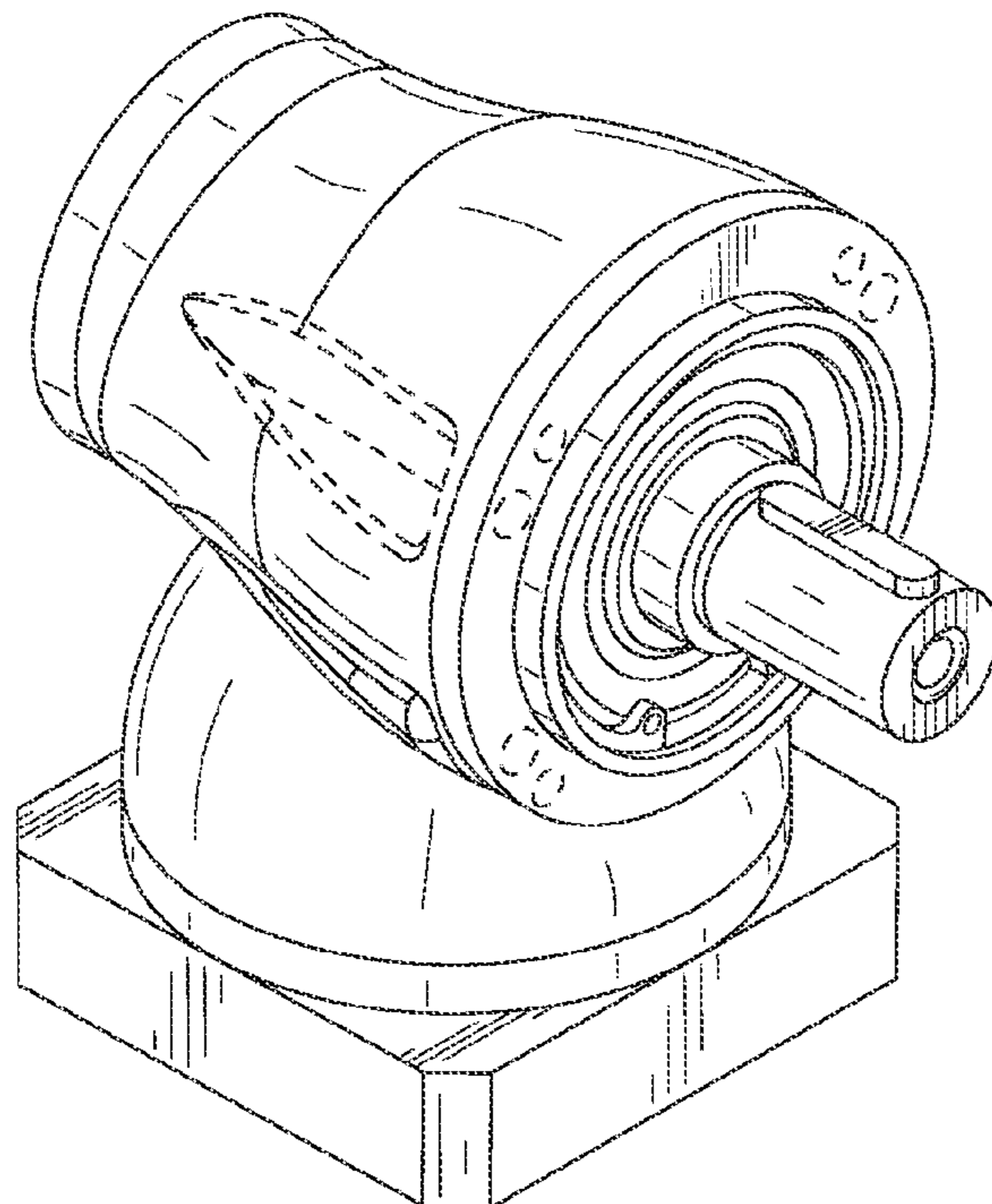
FIG. 4 shows the top plan view of the angular gear of FIG. 1, and

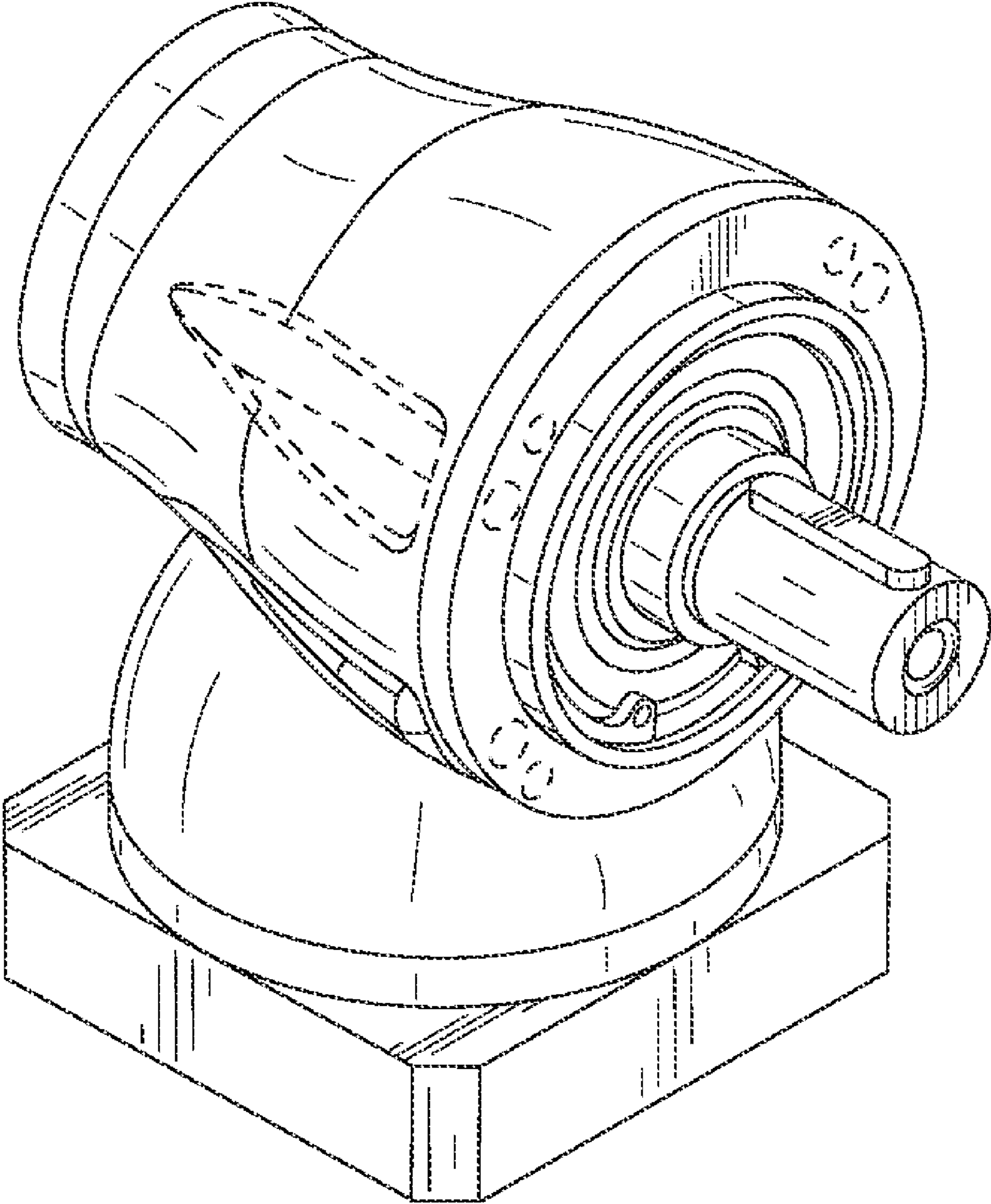
FIG. 5 shows the bottom plan view of the angular gear of FIG. 1 with an adapter plate shown in broken lines forming no part of the claimed design; and,

FIGS. 6 and 7 show the right and left, respective side views of the angular gear of FIG. 1.

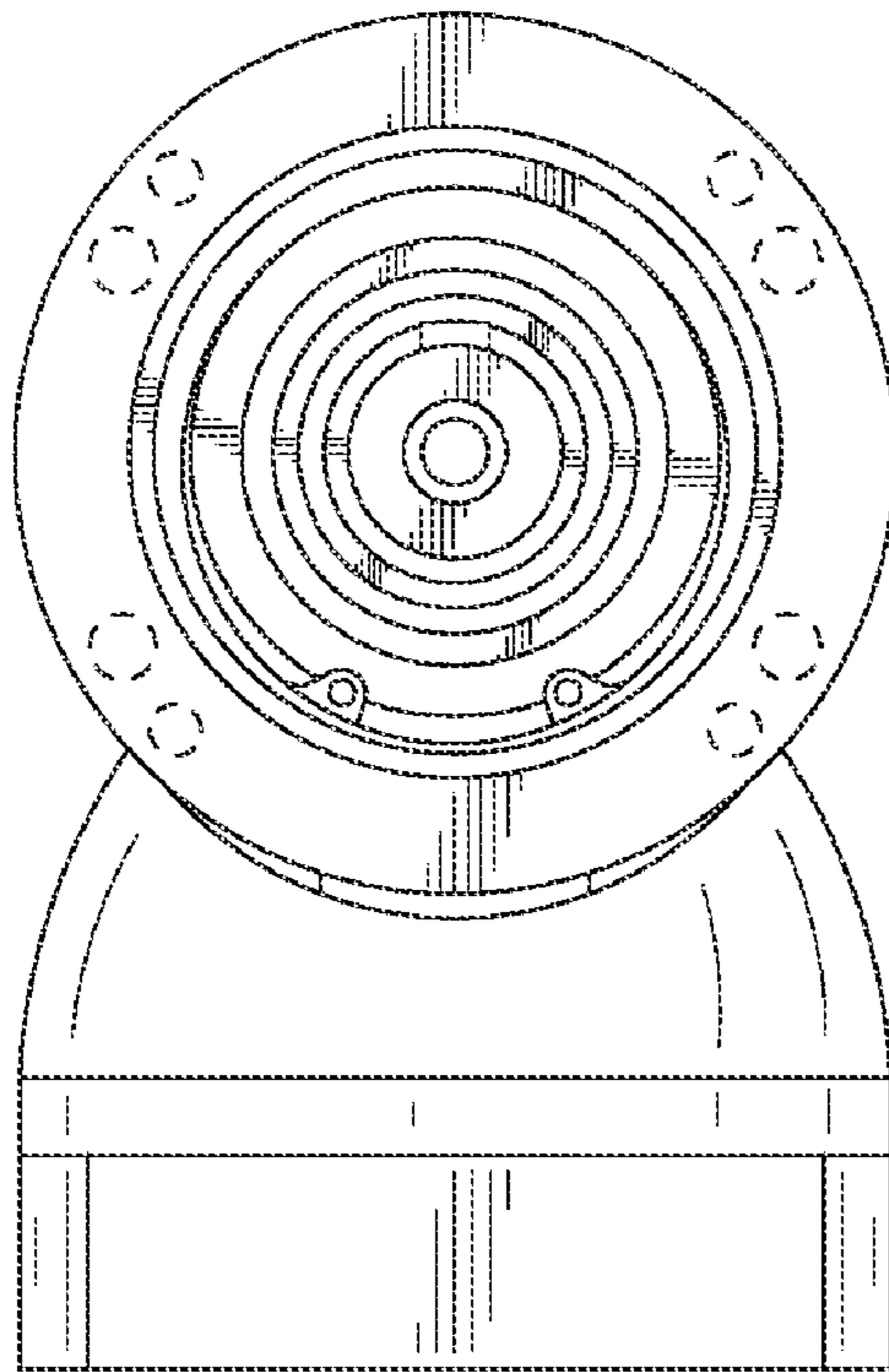
The features shown in broken lines in FIGS. 1-7 are hereby disclaimed.

**1 Claim, 4 Drawing Sheets**

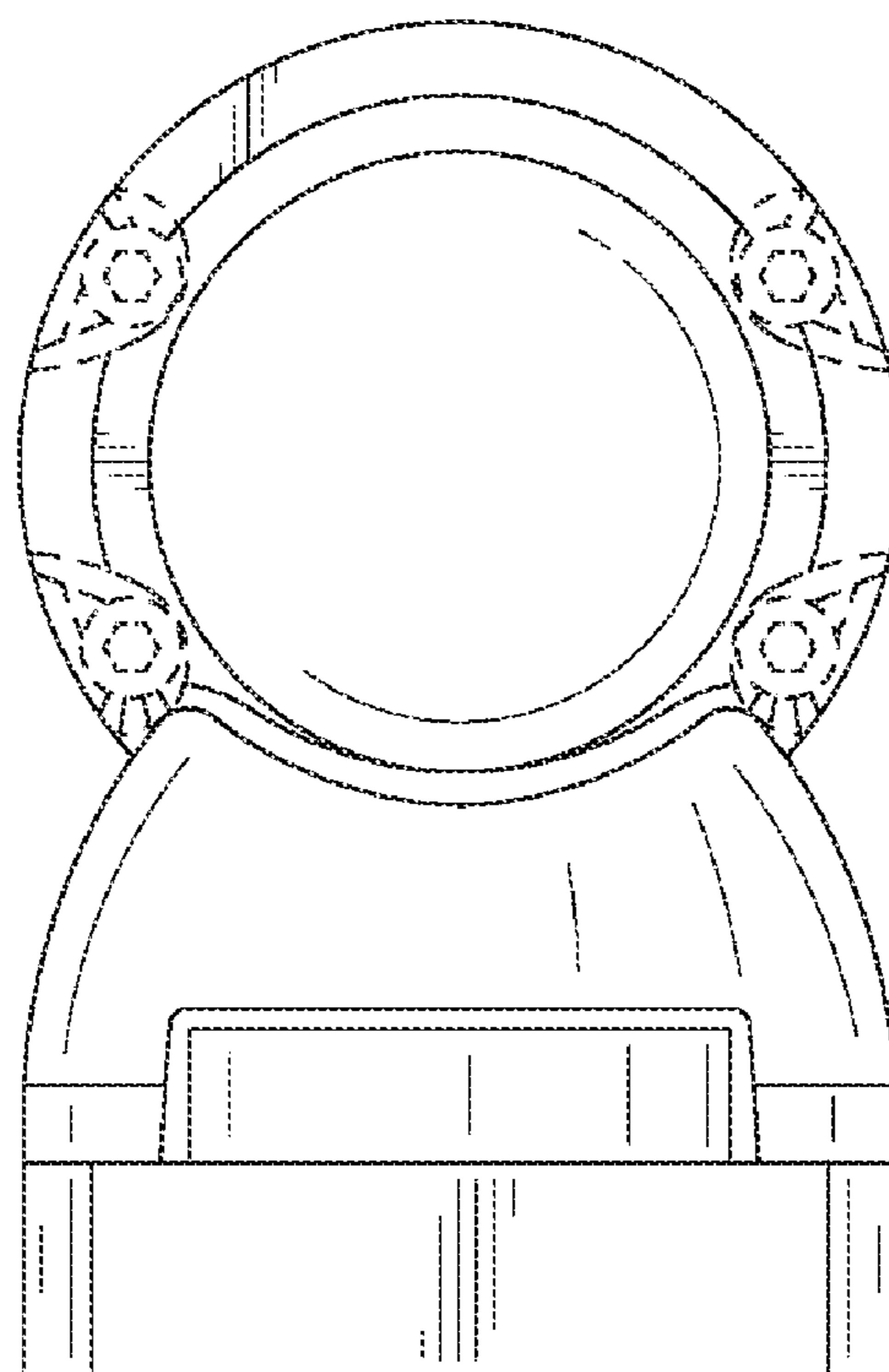




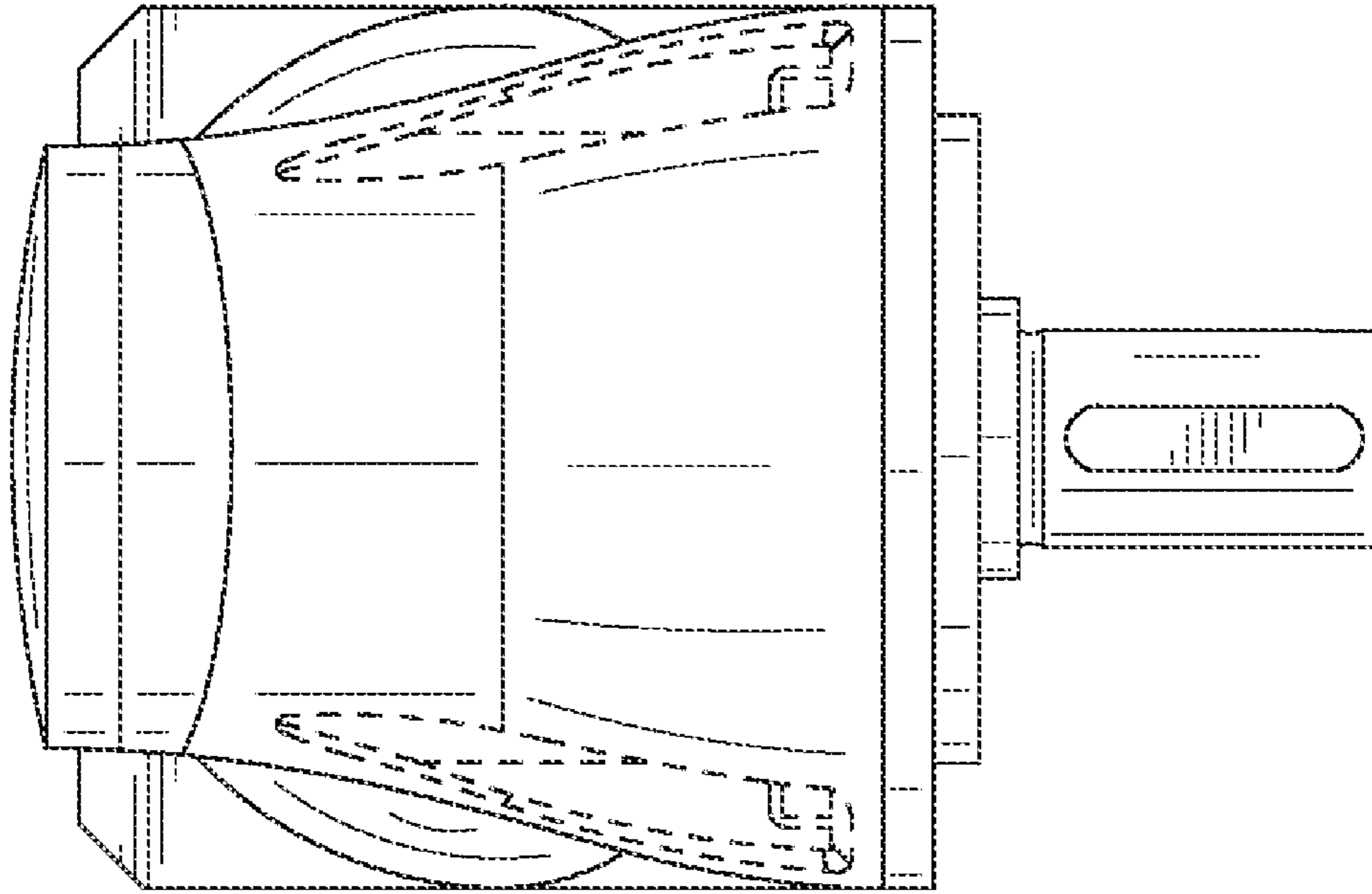
**FIG. 1**



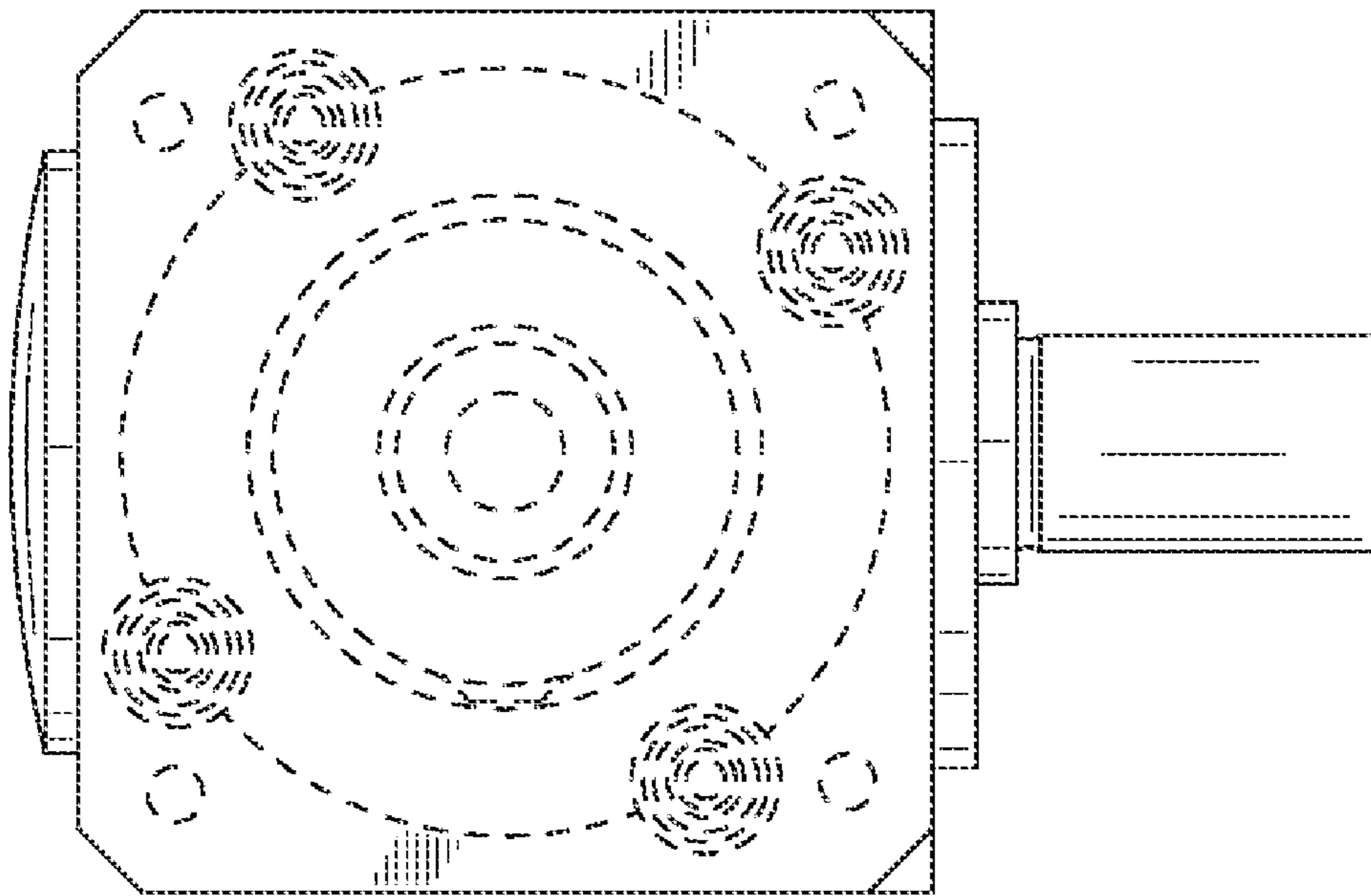
**FIG. 2**



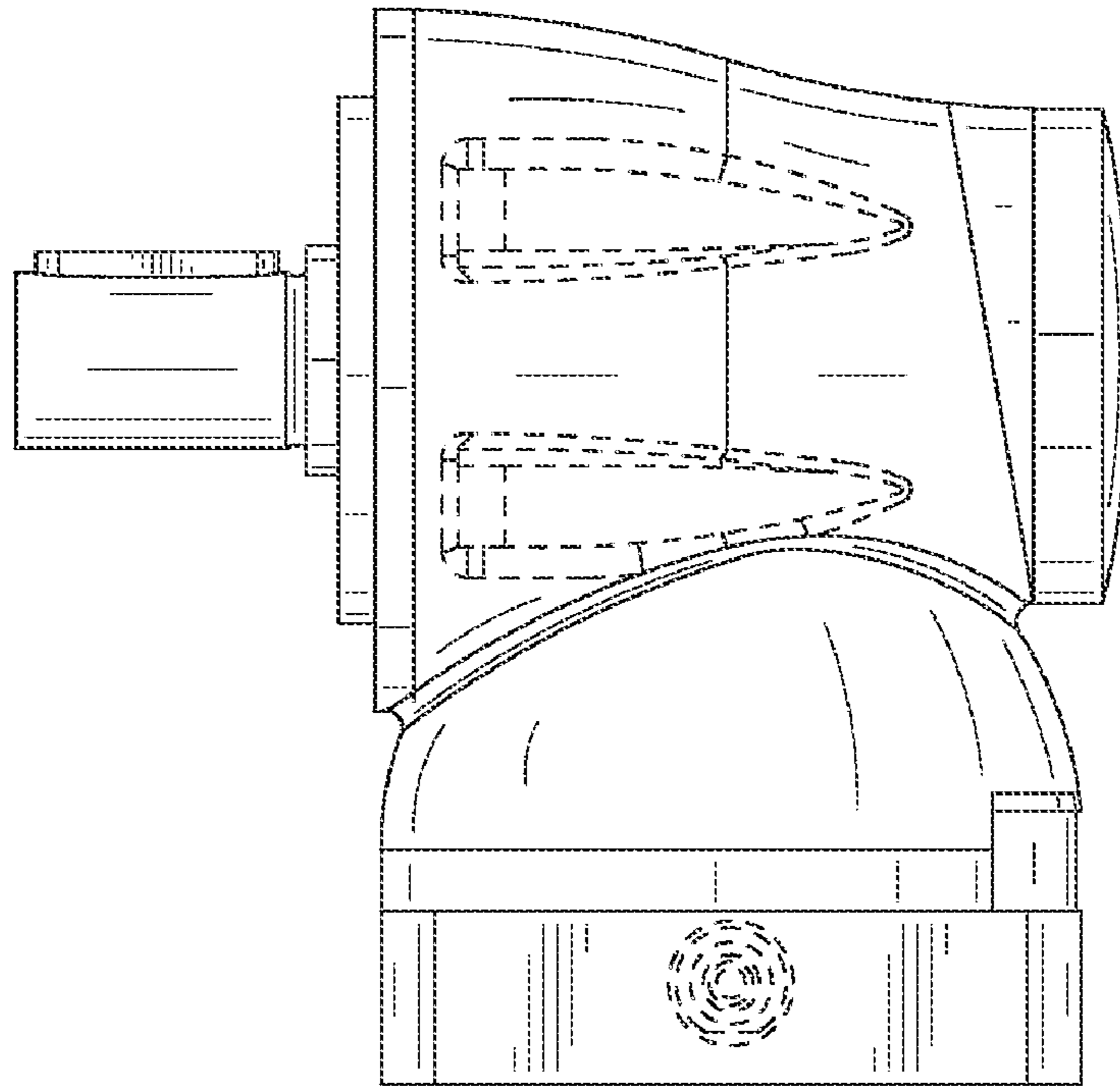
**FIG. 3**



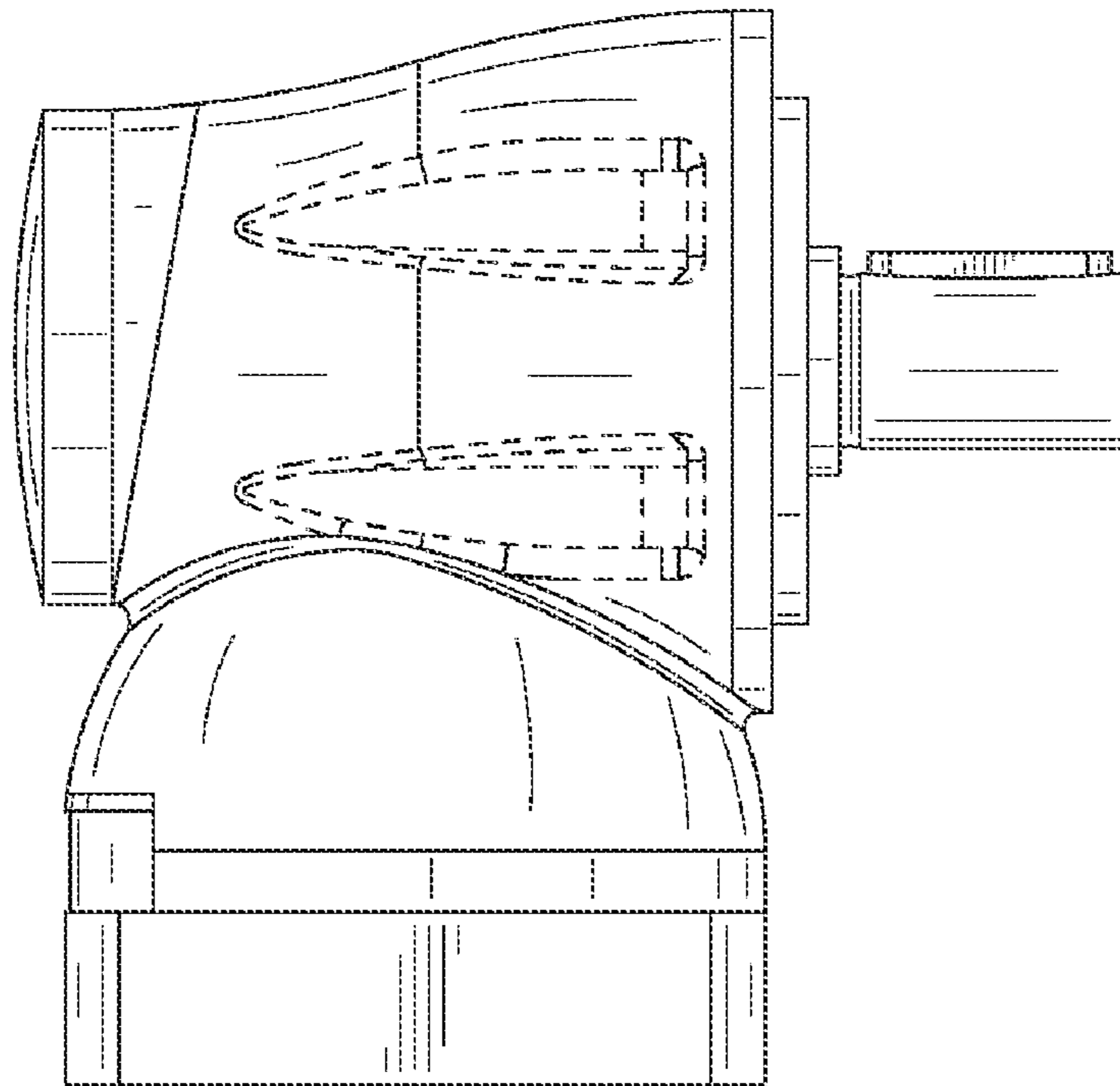
**FIG. 4**



**FIG. 5**



**FIG. 6**



**FIG. 7**