



US00D618260S

(12) **United States Design Patent**
Nakano

(10) **Patent No.:** **US D618,260 S**
(45) **Date of Patent:** **** Jun. 22, 2010**

(54) **MILLING SCREENING MACHINE**

(75) Inventor: **Takuji Nakano**, Tokyo (JP)

(73) Assignee: **Satake Corporation**, Tokyo (JP)

(**) Term: **14 Years**

(21) Appl. No.: **29/347,150**

(22) Filed: **Oct. 2, 2009**

(30) **Foreign Application Priority Data**

Apr. 3, 2009 (JP) 2009-007747

(51) **LOC (9) Cl.** **15-09**

(52) **U.S. Cl.** **D15/131**

(58) **Field of Classification Search** D8/446;
D15/122, 127, 131, 147; 29/560, 568; 209/139.1;
241/37, 65, 79.1, 80, 117, 119, 121, 130,
241/159, 224, 227, 230, 232, 234, 235, 260;
408/38; 409/64, 89, 160, 201, 210

See application file for complete search history.

(56) **References Cited**

U.S. PATENT DOCUMENTS

4,222,864	A *	9/1980	Keller	209/284
D299,467	S *	1/1989	Ritt	D15/131
4,856,178	A *	8/1989	Salvagnini	483/20
D309,146	S *	7/1990	Nemetz	D15/131
D328,467	S *	8/1992	Maleschew	D15/131
D398,618	S *	9/1998	Aoyama et al.	D15/131
6,796,012	B2 *	9/2004	Geissler et al.	29/27 C
7,624,939	B2 *	12/2009	Sugino et al.	241/260

2007/0127997 A1* 6/2007 Muselli et al. 409/132
2008/0025807 A1* 1/2008 Reed et al. 409/64

* cited by examiner

Primary Examiner—Sandra Snapp

Assistant Examiner—Patricia Palasik

(74) *Attorney, Agent, or Firm*—Staas & Halsey LLP

(57) **CLAIM**

The ornamental design for a milling screening machine, as shown and described.

DESCRIPTION

FIG. 1 is a front perspective view of a milling screening machine;

FIG. 2 is a front view of the milling screening machine of FIG. 1;

FIG. 3 is a rear view of the milling screening machine of FIG. 1;

FIG. 4 is a left-side view of the milling screening machine of FIG. 1;

FIG. 5 is a right-side view of the milling screening machine of FIG. 1;

FIG. 6 is a top plan view of the milling screening machine of FIG. 1; and,

FIG. 7 is a bottom plan view of the milling screening machine of FIG. 1.

The broken lines in the drawings depict unclaimed environmental subject matter.

1 Claim, 4 Drawing Sheets

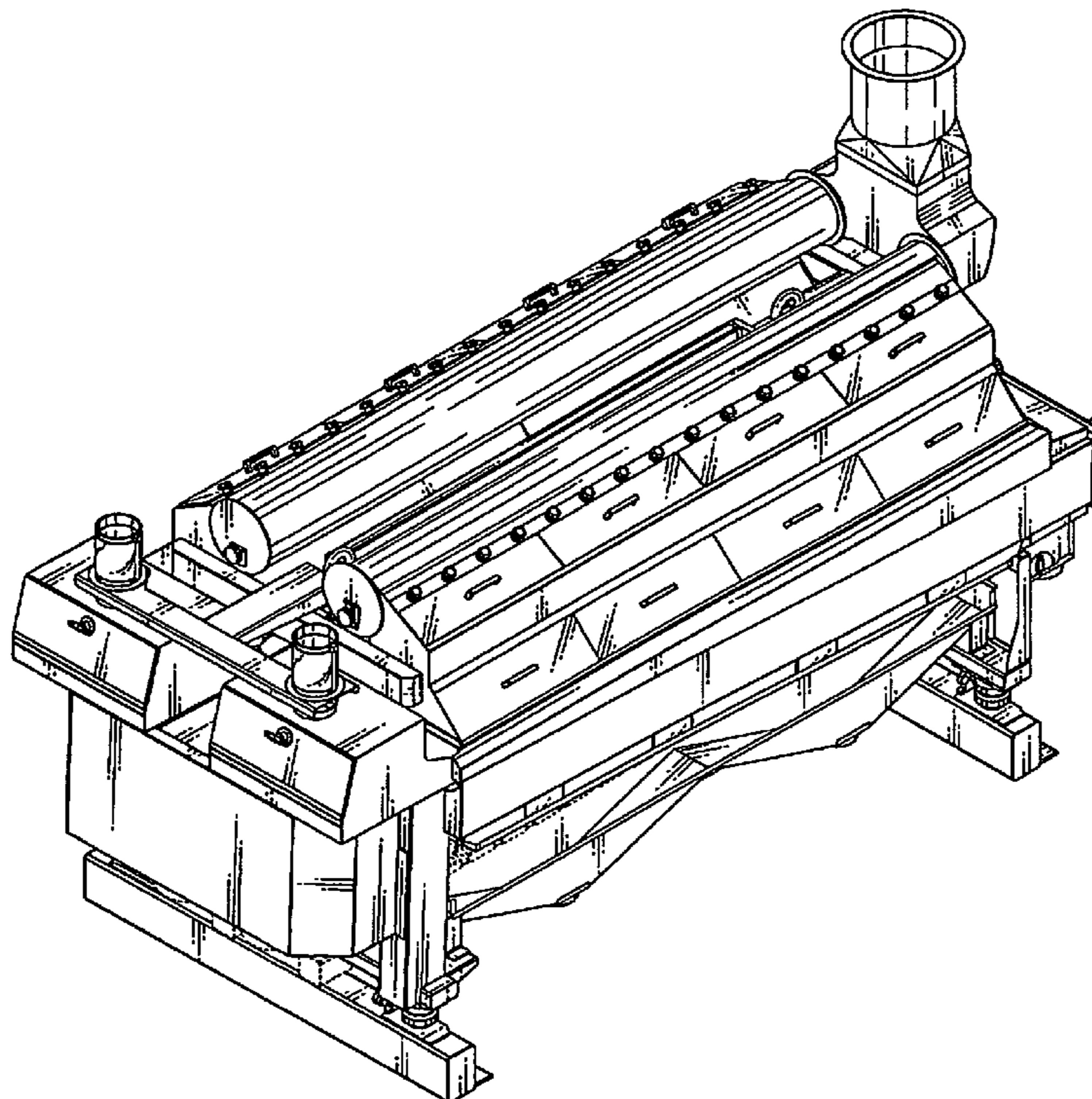


FIG.1

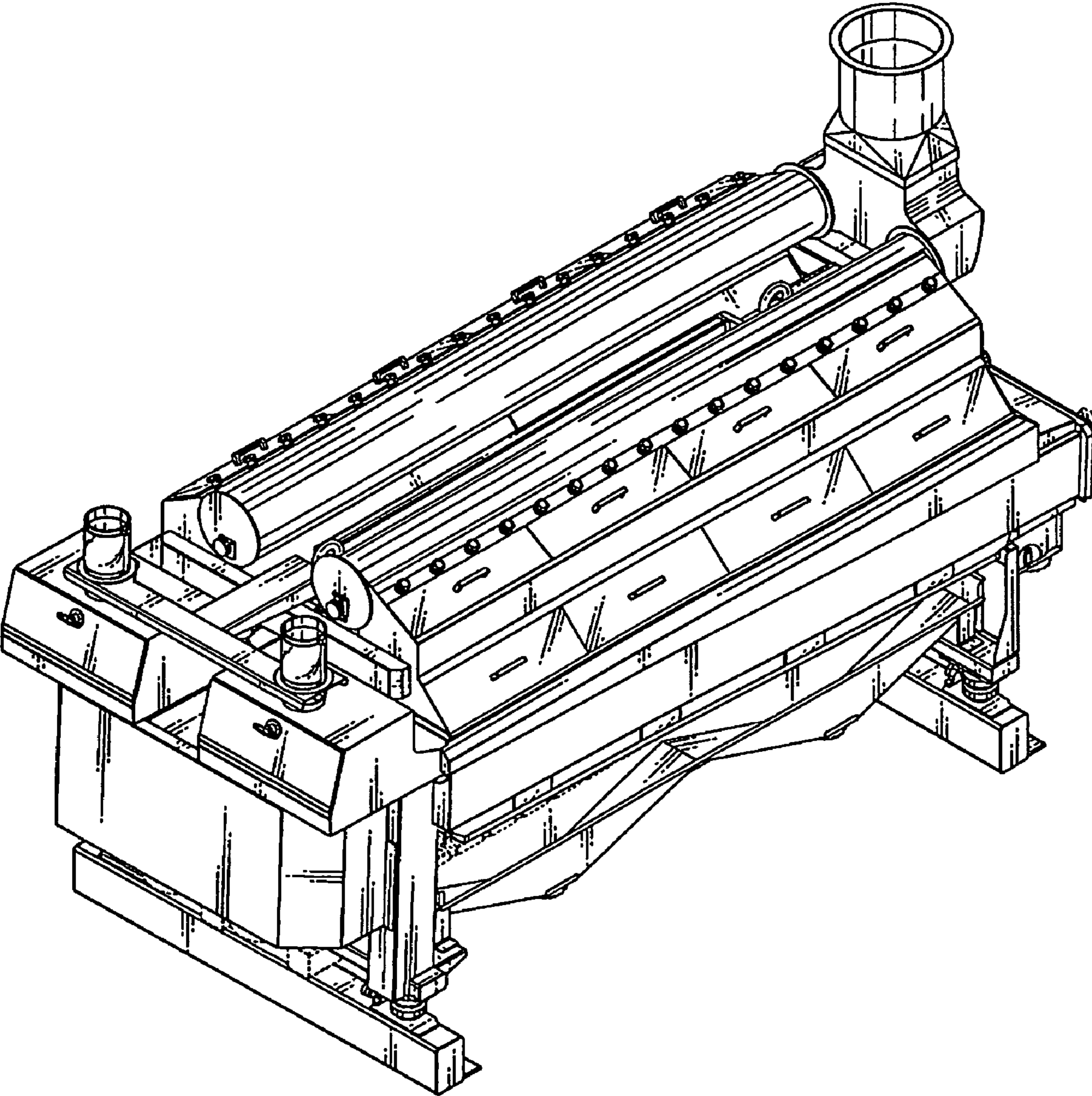


FIG.2

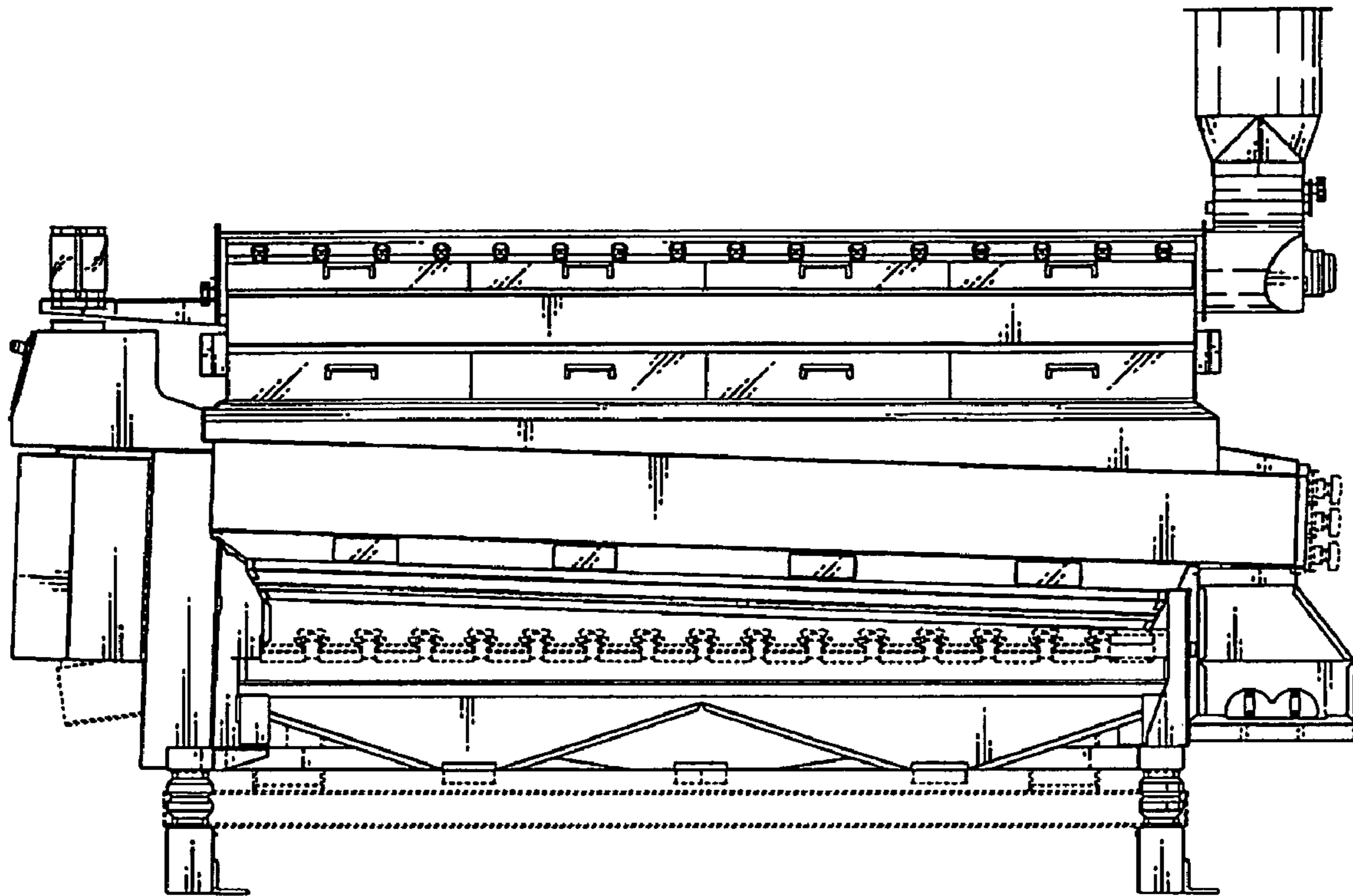


FIG.3

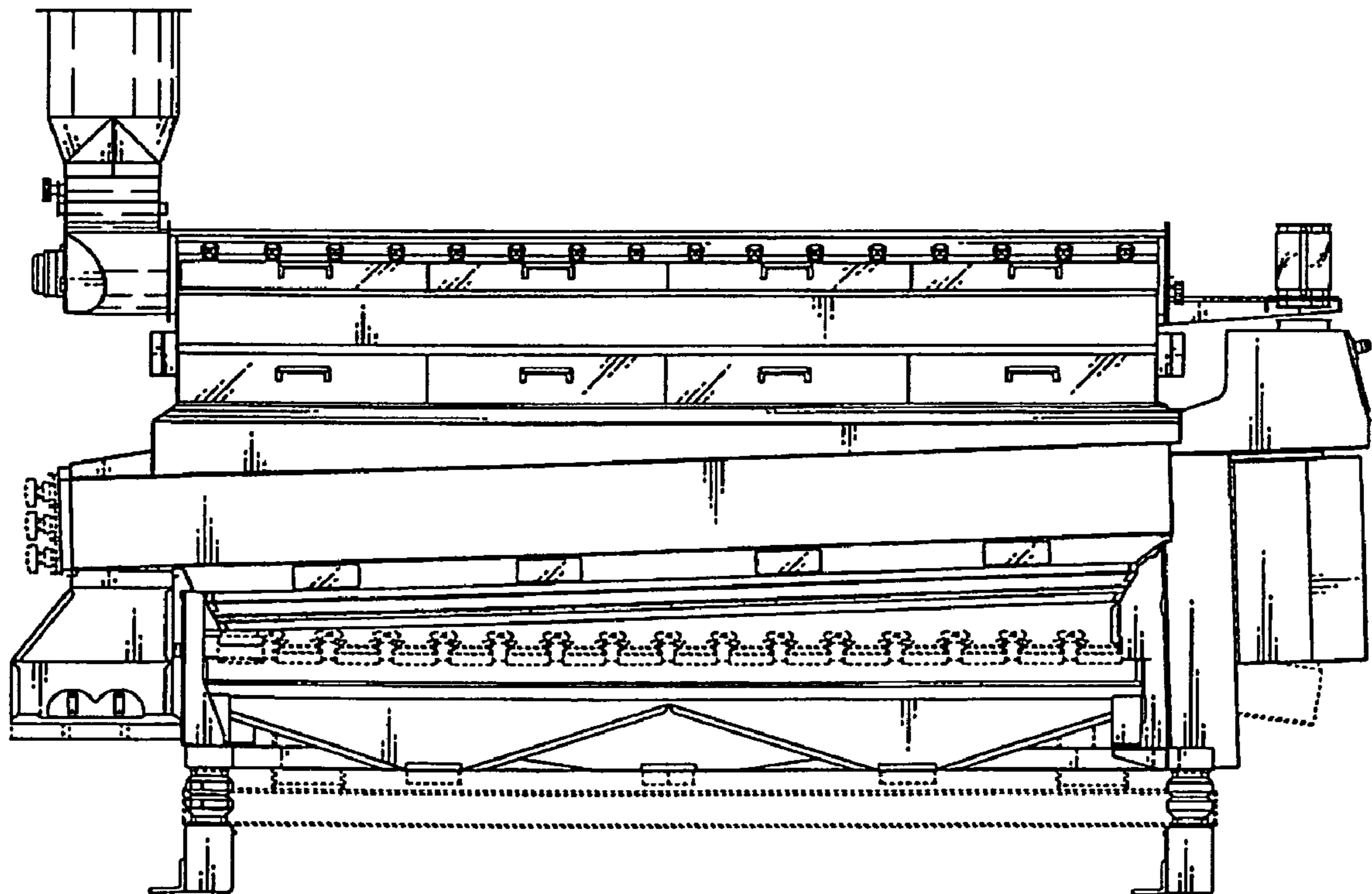


FIG.4

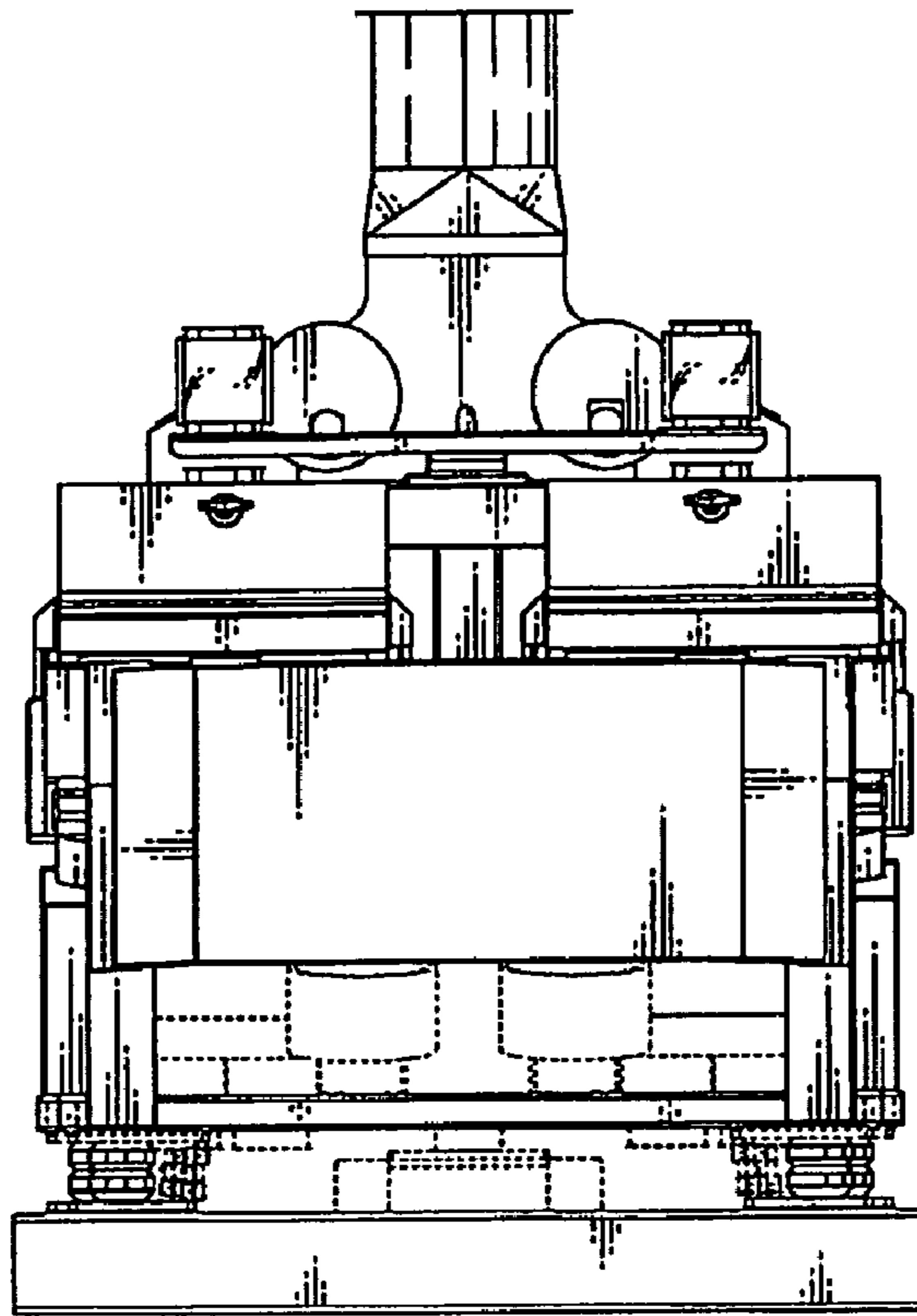


FIG.5

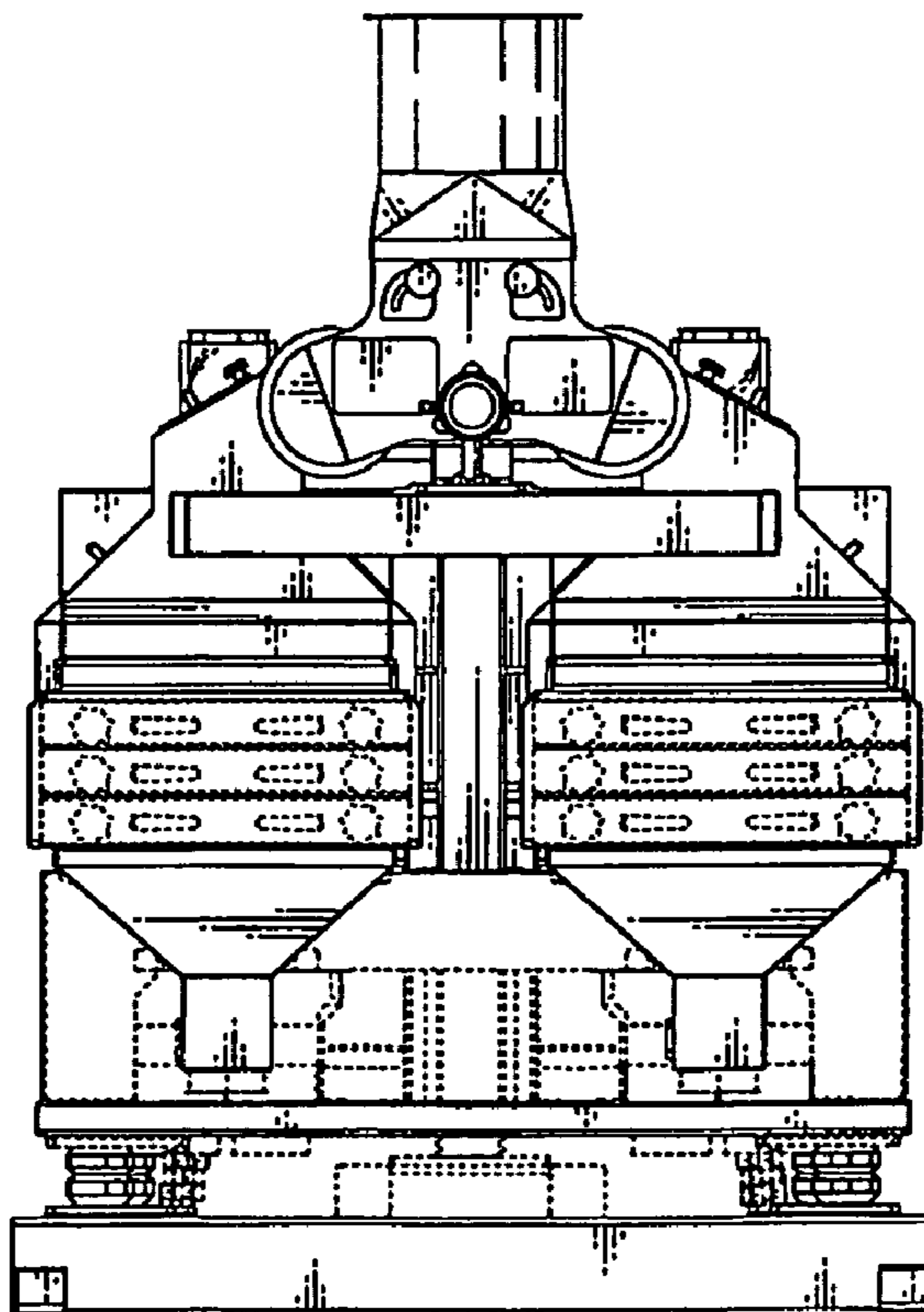


FIG.6

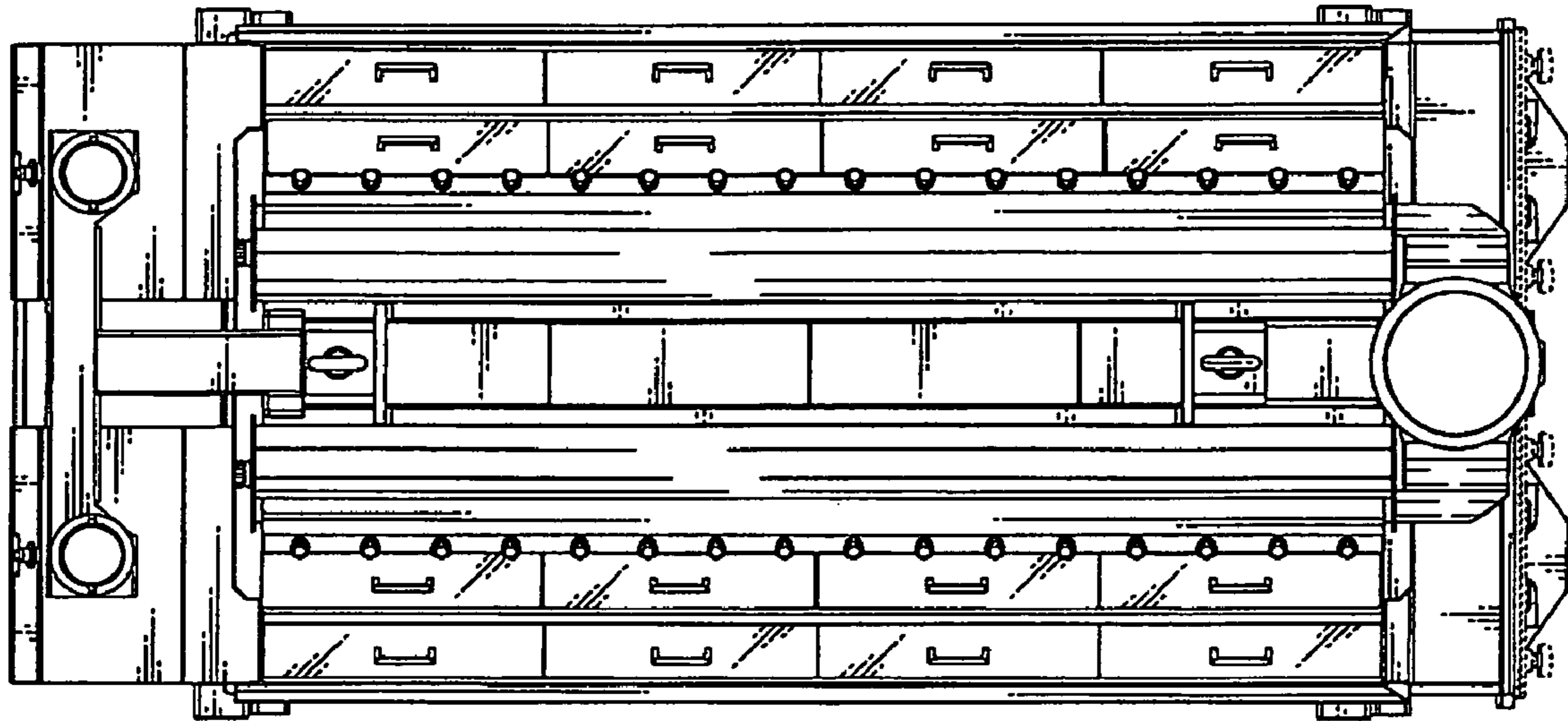


FIG.7

