

US00D618259S

(12) **United States Design Patent**  
**Ugarte**

(10) **Patent No.:** **US D618,259 S**  
(45) **Date of Patent:** **\*\* Jun. 22, 2010**

(54) **PROFILE AND CORNER CAP FOR A REFRIGERATED DISPLAY CASE**

(75) Inventor: **Jesus Ugarte**, Pamplona (ES)

(73) Assignee: **Husmann Koxka, S.L.**, Pamplona (ES)

(\*\*) Term: **14 Years**

(21) Appl. No.: **29/223,658**

(22) Filed: **Feb. 17, 2005**  
(Under 37 CFR 1.47)

(51) **LOC (9) Cl.** ..... **15-07**

(52) **U.S. Cl.** ..... **D15/89**

(58) **Field of Classification Search** ..... D15/79,  
D15/81, 83-89; D6/396, 397, 400-476,  
D6/491, 524, 525, 546, 550; D25/38, 102,  
D25/119, 136; D8/382, 403; 312/3.6, 107,  
312/116, 140, 236, 400-408; 256/59, 60,  
256/65.15; 248/251; 108/27; 160/19; 62/125,  
62/126, 255, 256; 52/287.1, 745.09; D19/1;  
49/479.1

See application file for complete search history.

(56) **References Cited**

**U.S. PATENT DOCUMENTS**

1,542,138	A *	6/1925	Hunter	108/27
2,572,036	A *	10/1951	Junkunc	160/19
D192,113	S *	1/1962	Anderson	D25/119
D246,625	S *	12/1977	Becker, III	D8/403
4,281,883	A *	8/1981	Zacky	312/140
D333,607	S *	3/1993	Isler	D8/382
D333,873	S *	3/1993	McCue	D25/38
5,288,048	A *	2/1994	Shreiner	248/251
5,615,530	A *	4/1997	Kartler	52/745.09
D388,884	S *	1/1998	Karnoski	D25/102
D457,657	S *	5/2002	Colegrove	D25/119
D470,347	S *	2/2003	Wood et al.	D6/491
6,533,251	B1 *	3/2003	Abbatichio	256/65.15
6,598,347	B2 *	7/2003	Hattori	49/479.1
D479,004	S *	8/2003	Perkins et al.	D25/119
6,631,597	B1 *	10/2003	Rutherford	52/287.1

D510,101	S *	9/2005	Bushey	D19/1
D521,030	S *	5/2006	Duffy et al.	D15/89
D557,432	S *	12/2007	Smith	D25/136
D560,486	S *	1/2008	Ray et al.	D8/403
2001/0034977	A1 *	11/2001	Hattori	49/479.1

**OTHER PUBLICATIONS**

Husmann Impact Merchandisers Brochure, "Multi-Deck Dairy/Deli Display", Catalog D-5, published in 2000.

Husmann Impact Merchandisers Brochure, "Multi-Deck Dairy/Deli End Cap Display", Catalog D5ELE, published in 1999.

Husmann Impact Merchandisers Brochure, "Multi-Deck, Convertible Merchandiser for Any Medium Temperature Application", Catalog C5, published in 2000.

Husmann Impact Merchandisers Brochure, "Multi-Deck, Convertible Merchandiser for Any Medium Temperature Application", Catalog C4, published in 2000.

Koxka, Supermarket X-Combined Freezer Display with Half-Glass Door Top, published prior to Feb. 17, 2004.

\* cited by examiner

*Primary Examiner*—Stella M Reid

*Assistant Examiner*—Shanda C Hill

(74) *Attorney, Agent, or Firm*—Michael Best & Friedrich LLP

(57) **CLAIM**

I claim the ornamental design for a profile and corner cap for a refrigerated display case, as shown and described.

**DESCRIPTION**

FIG. 1 is a perspective view of a profile and corner cap for a refrigerated display case embodying the present invention;

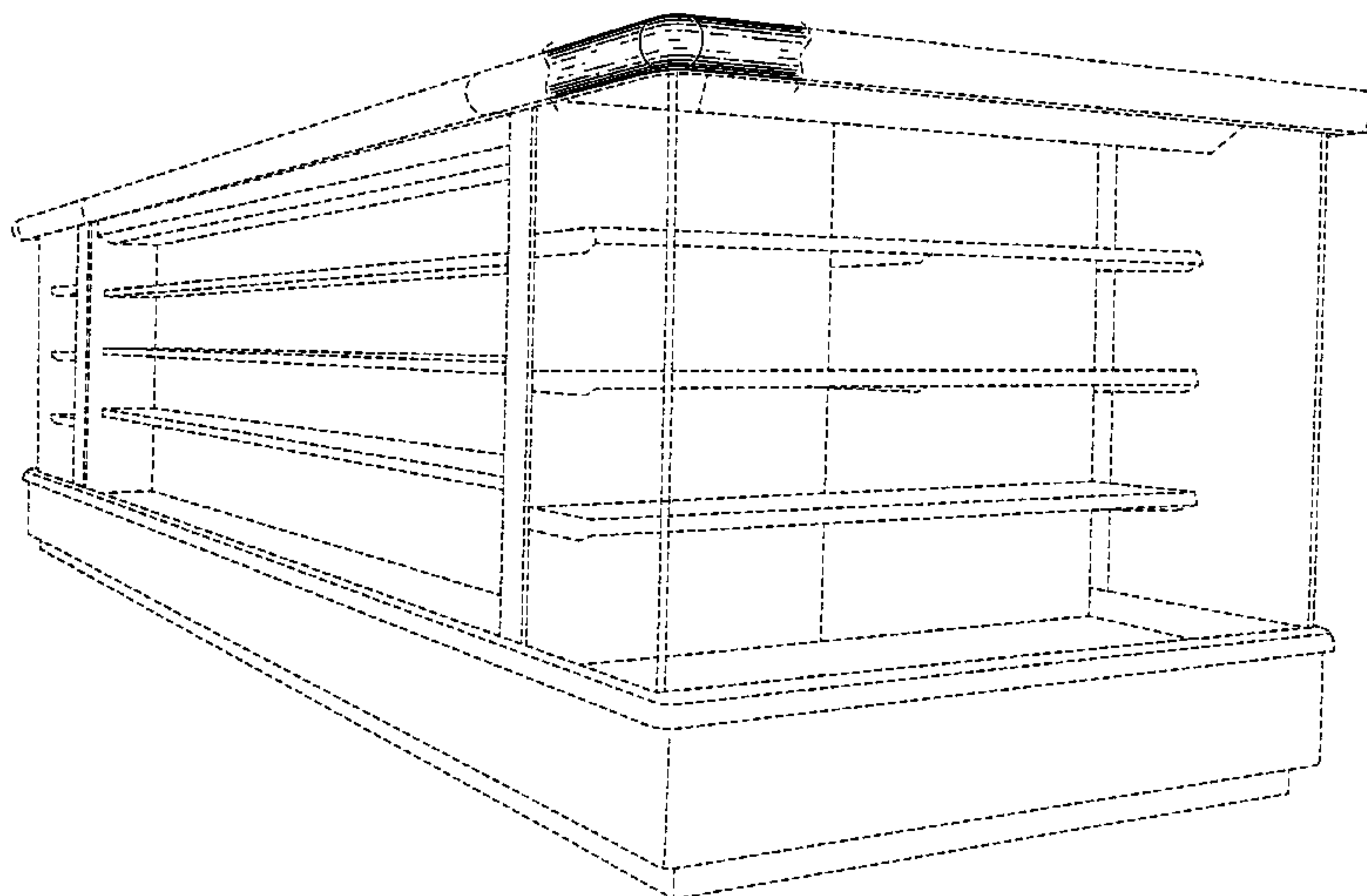
FIG. 2 is a front view thereof;

FIG. 3 is a side view thereof; and,

FIG. 4 is a top view thereof.

The broken lines shown in the drawing disclosure are for illustrative purposes only and form no part of the claimed design. The broken line(s) which define the bounds of the claimed design form no part thereof.

**1 Claim, 4 Drawing Sheets**



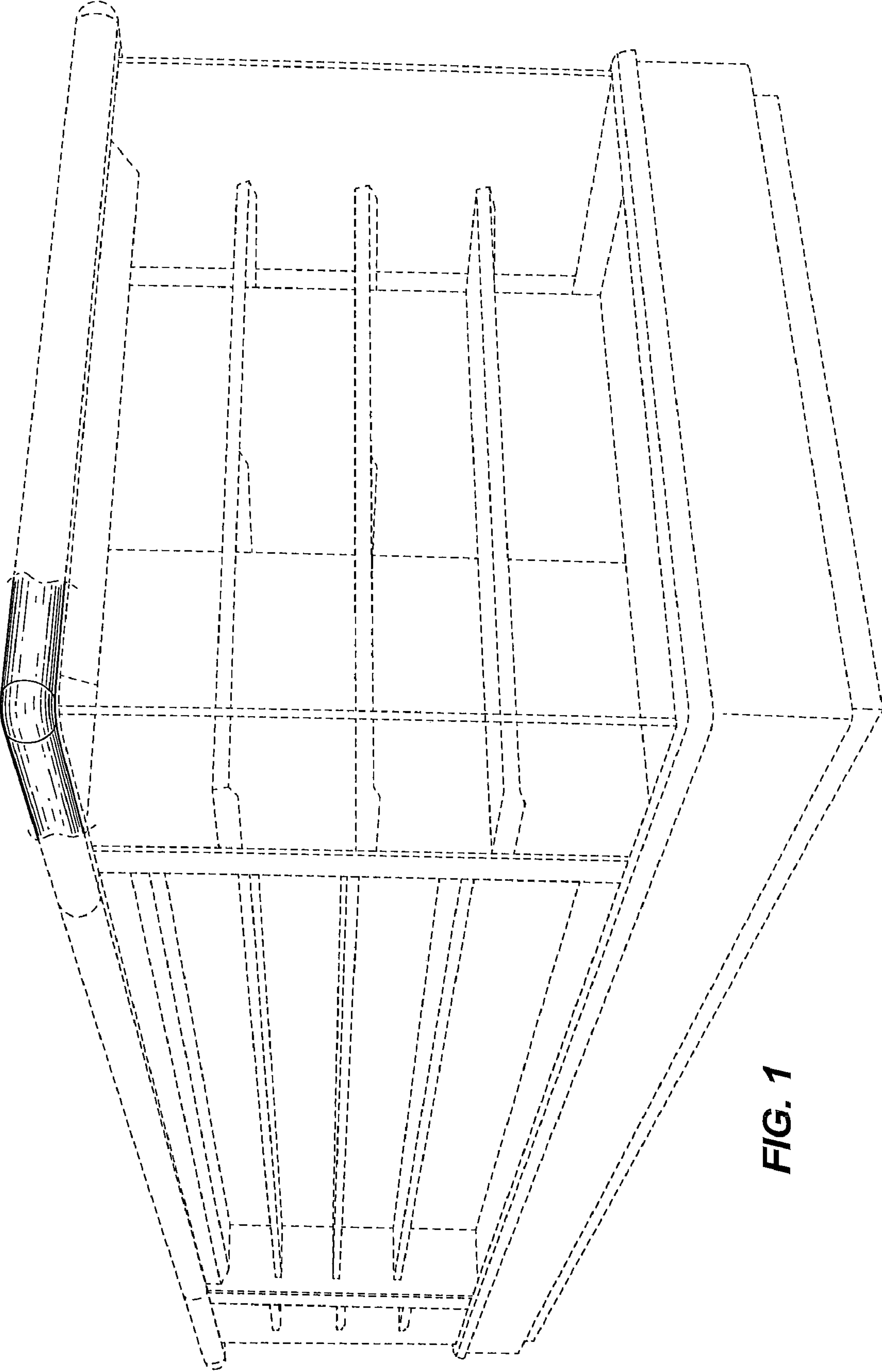


FIG. 1

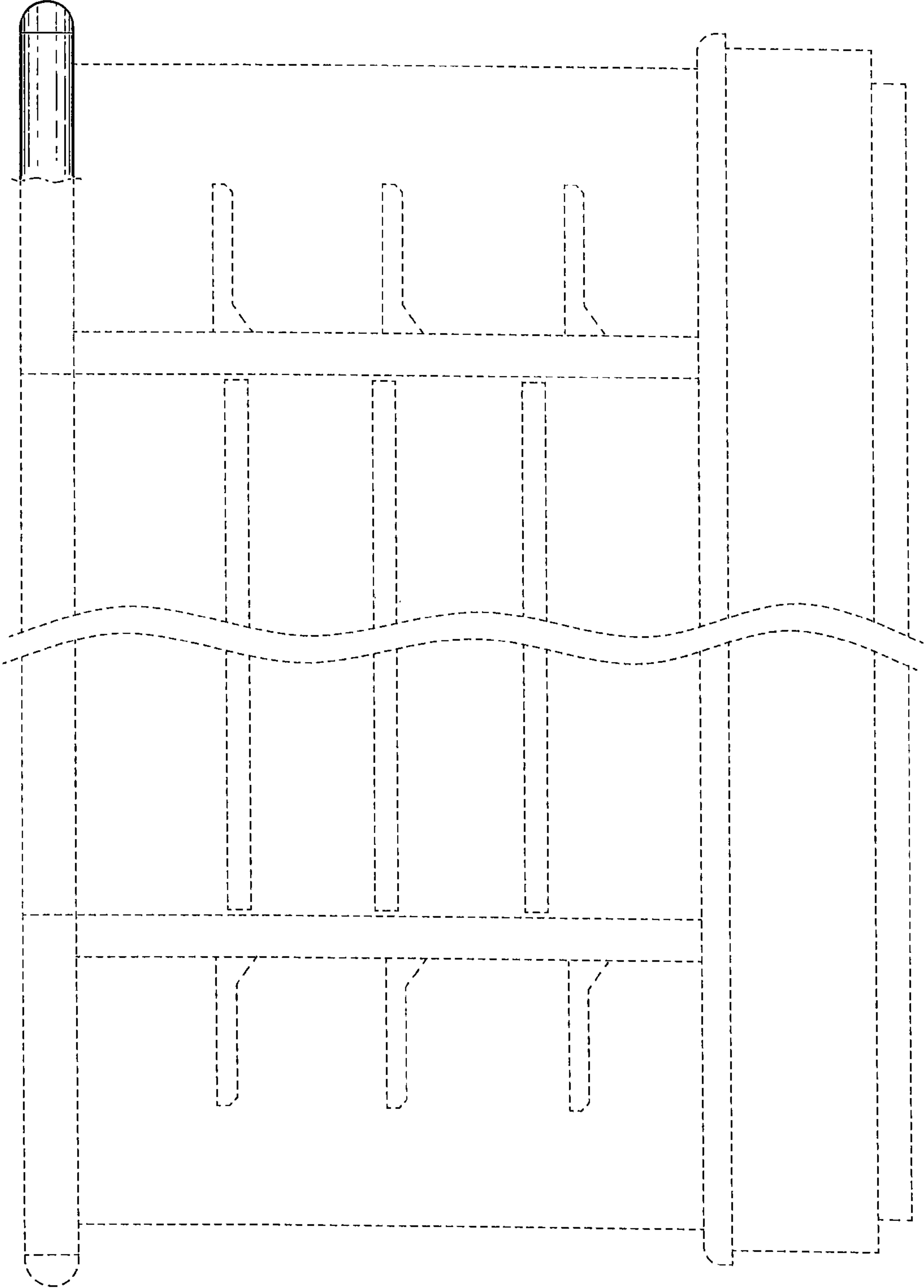
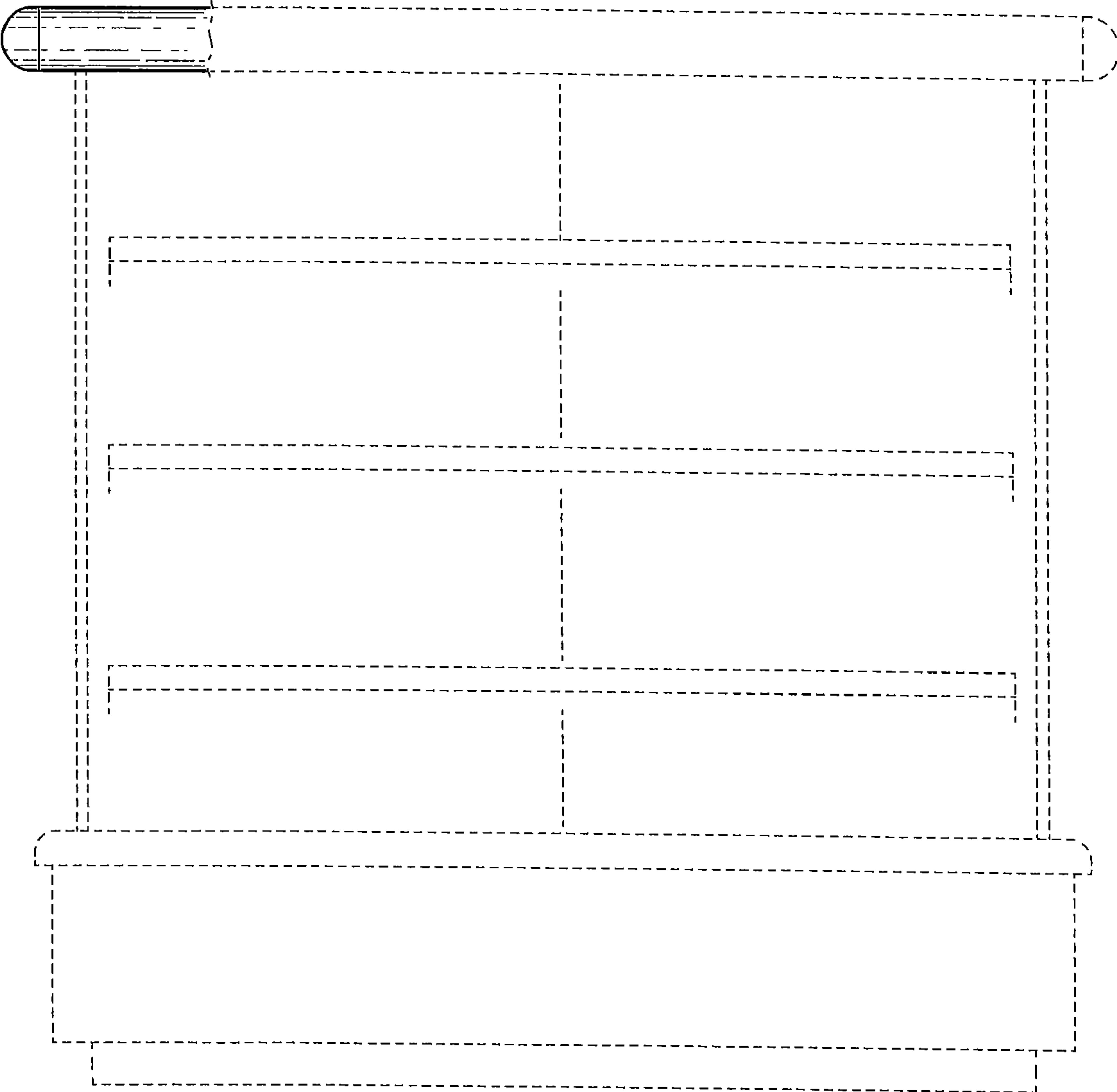
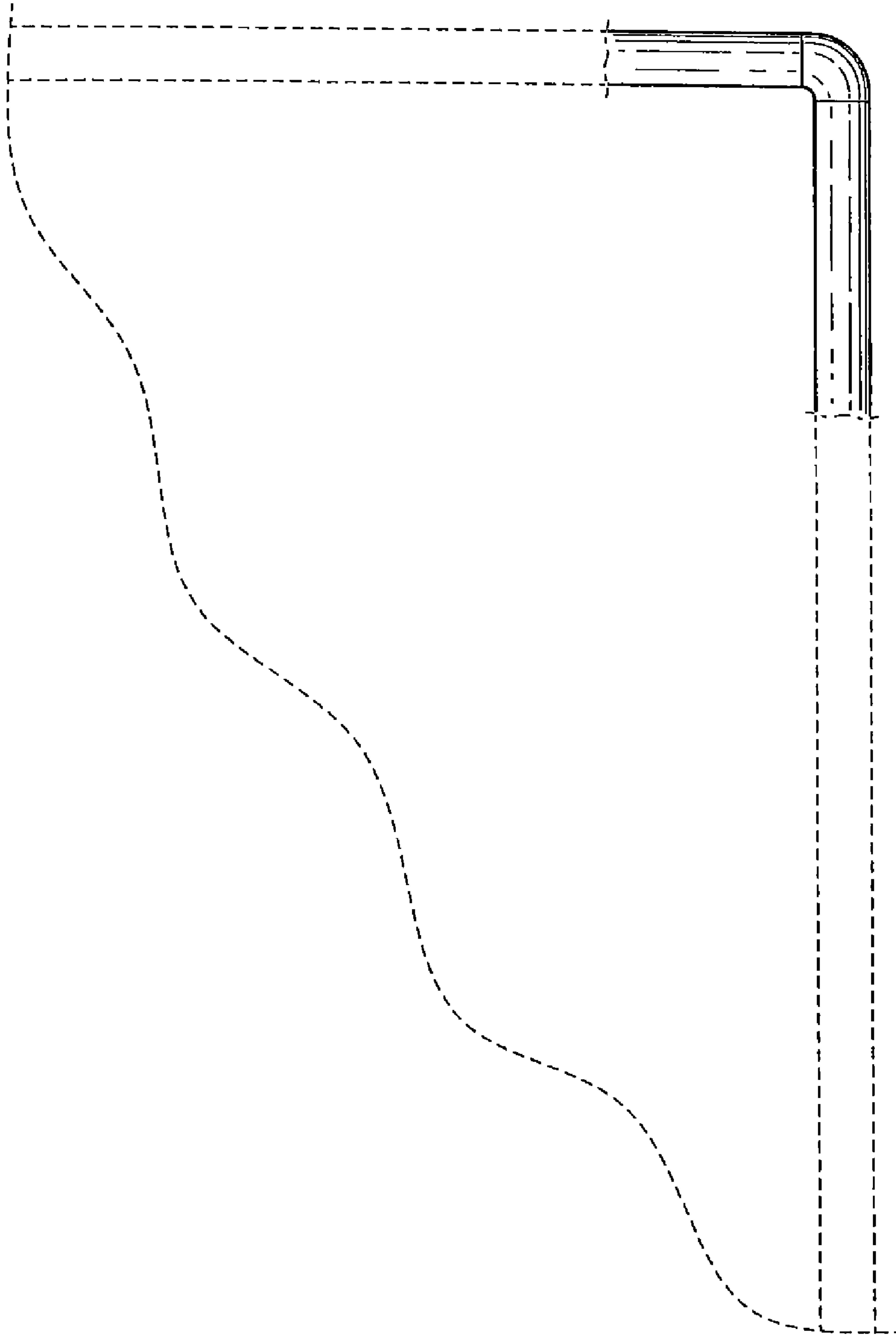


FIG. 2



**FIG. 3**



**FIG. 4**