



US00D618257S

(12) **United States Design Patent**  
**Hanamure et al.**

(10) **Patent No.:** **US D618,257 S**  
(45) **Date of Patent:** **\*\* Jun. 22, 2010**

(54) **REFRIGERATOR**

(75) Inventors: **Toshiyuki Hanamure**, Osaka (JP);  
**Nobuo Yazaki**, Osaka (JP)

(73) Assignee: **Sanyo Electric Co., Ltd.**, Osaka (JP)

(\*\*) Term: **14 Years**

(21) Appl. No.: **29/347,079**

(22) Filed: **Sep. 17, 2009**

(30) **Foreign Application Priority Data**

Mar. 19, 2009 (JP) ..... 2009-006221

(51) **LOC (9) Cl.** ..... **15-07**

(52) **U.S. Cl.** ..... **D15/79**

(58) **Field of Classification Search** ..... D15/79,  
D15/80, 81, 82, 83, 88; 62/3.6, 3.63, 3.64,  
62/293, 467; 312/400-408

See application file for complete search history.

(56) **References Cited**

**U.S. PATENT DOCUMENTS**

D82,770 S \* 12/1930 Ferry ..... D15/81  
D253,536 S \* 11/1979 Shibata et al. .... D15/88  
D266,000 S \* 8/1982 Kawakami ..... D15/88  
D314,579 S \* 2/1991 Maxwell et al. .... D15/80  
D317,454 S \* 6/1991 Matsumura et al. .... D15/83  
D354,064 S \* 1/1995 Sims ..... D15/88  
D394,270 S \* 5/1998 Strandell et al. .... D15/80

D468,755 S \* 1/2003 Muniz-Rivera et al. .... D15/81  
D567,828 S \* 4/2008 Moran ..... D15/81  
D594,483 S \* 6/2009 Cefalu ..... D15/81

\* cited by examiner

*Primary Examiner*—Shanda C Hill

(74) *Attorney, Agent, or Firm*—Rabin & Berdo, PC

(57) **CLAIM**

The ornamental design for a refrigerator, as shown and described.

**DESCRIPTION**

FIG. 1 is a front perspective view of a refrigerator showing our new design;

FIG. 2 is a rear perspective view thereof;

FIG. 3 is a front elevation view thereof;

FIG. 4 is a top plan view thereof;

FIG. 5 is a right side view thereof;

FIG. 6 is a rear elevation view thereof;

FIG. 7 is a bottom plan view thereof;

FIG. 8 is a left side view thereof; and,

FIG. 9 is a perspective view thereof shown in an open condition.

The broken lines shown in the drawing disclosure are for illustrative purposes only and form no part of the claimed design.

**1 Claim, 9 Drawing Sheets**

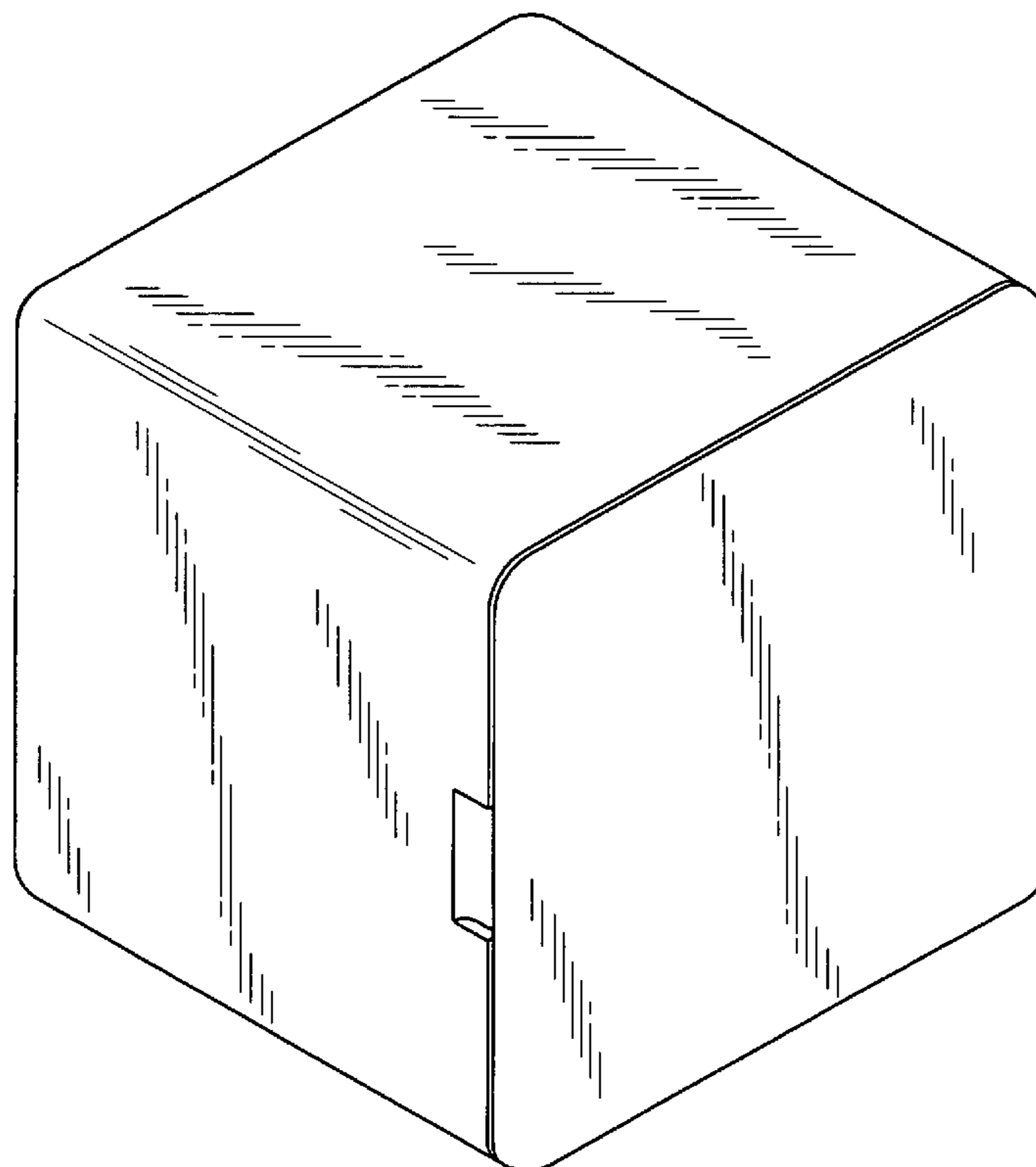


FIG. 1

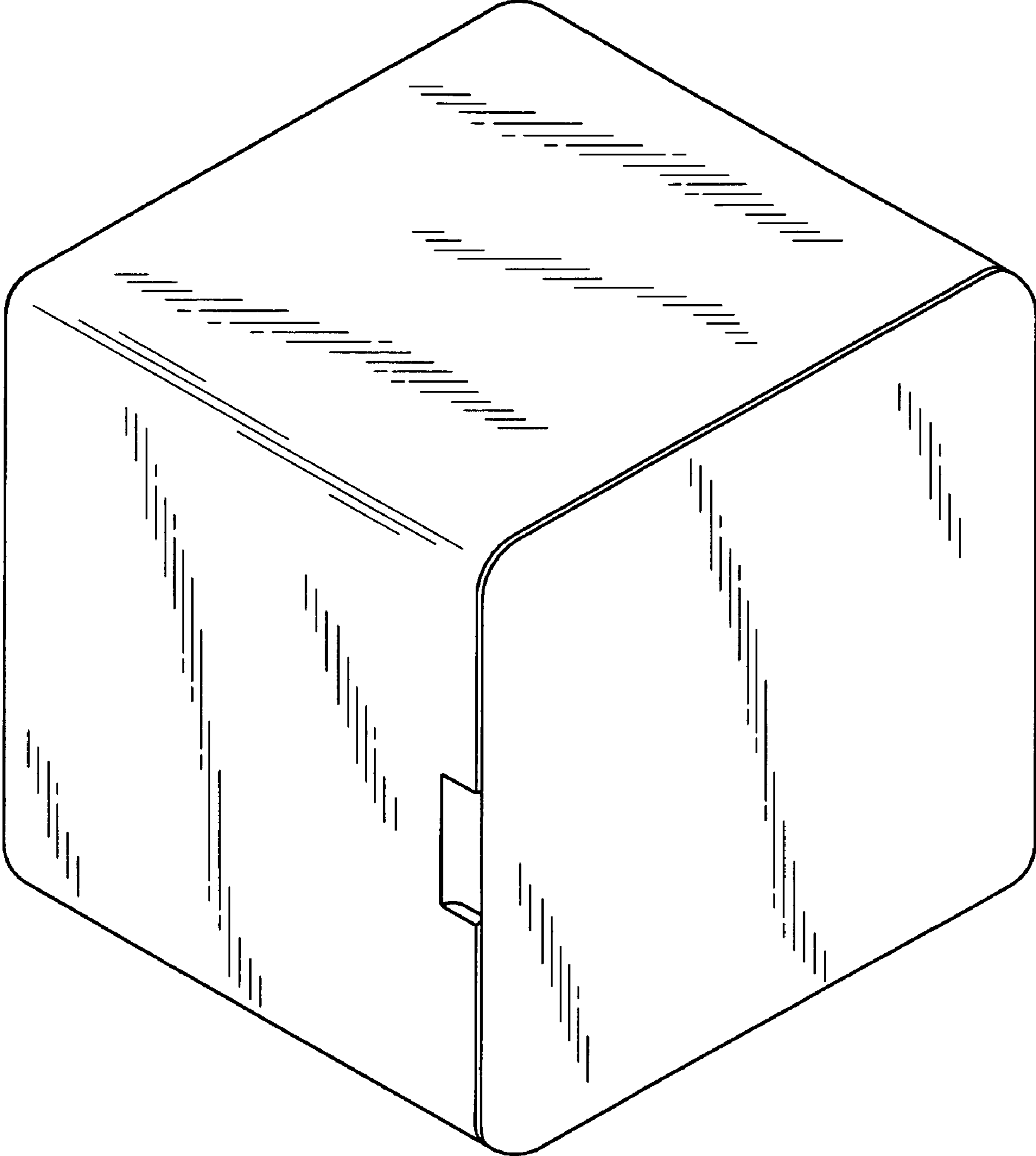


FIG. 2

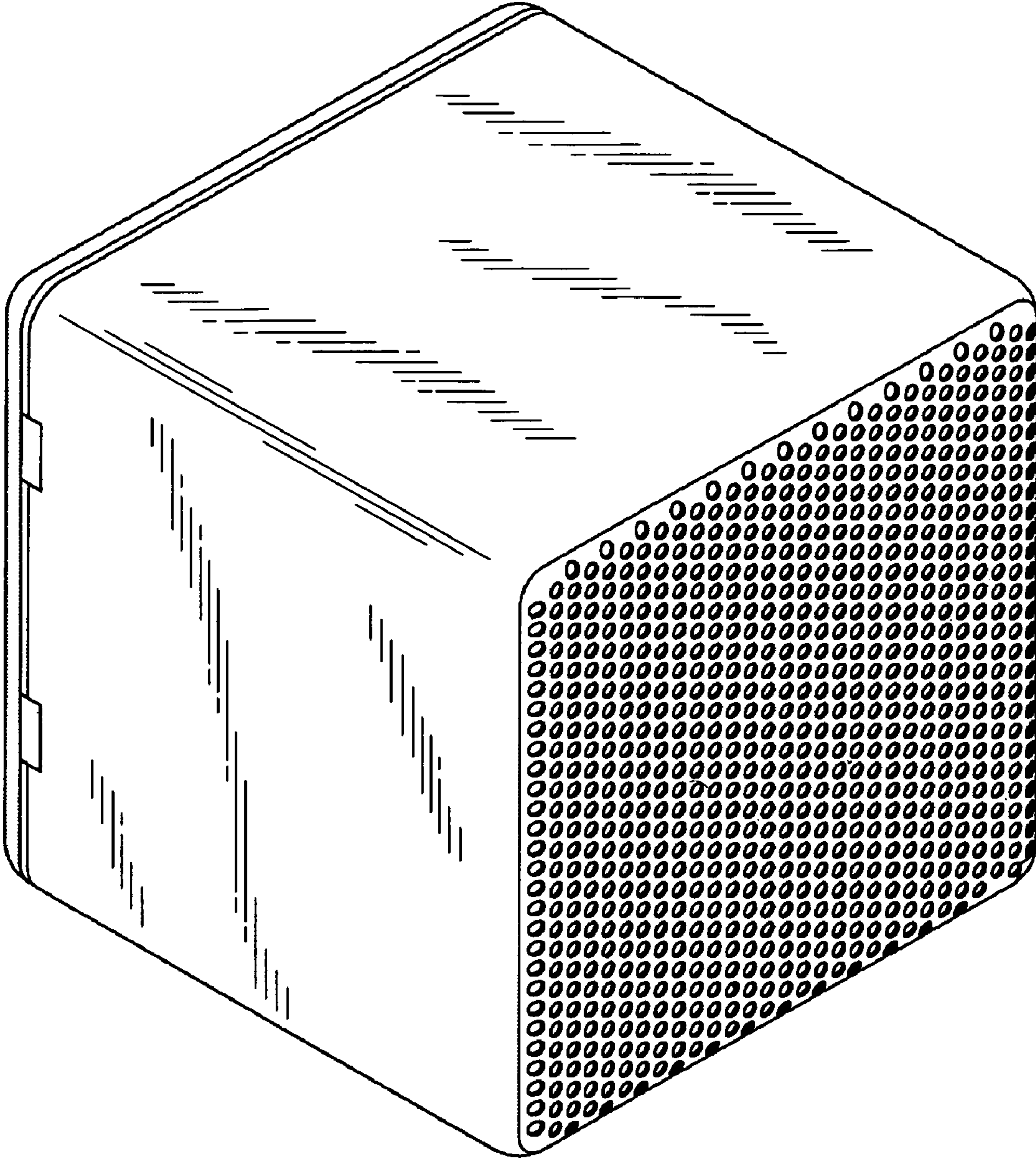


FIG. 3

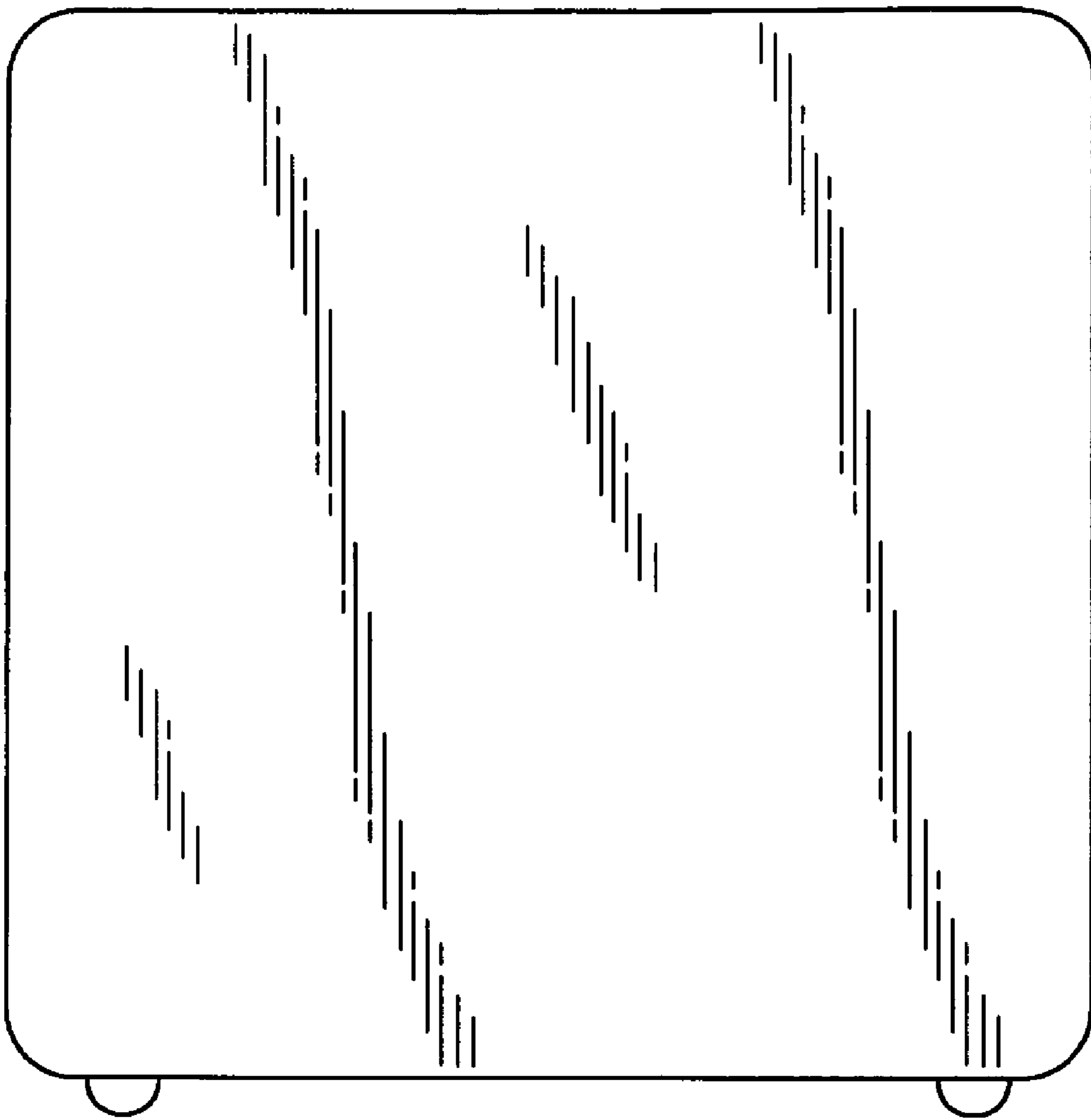


FIG. 4

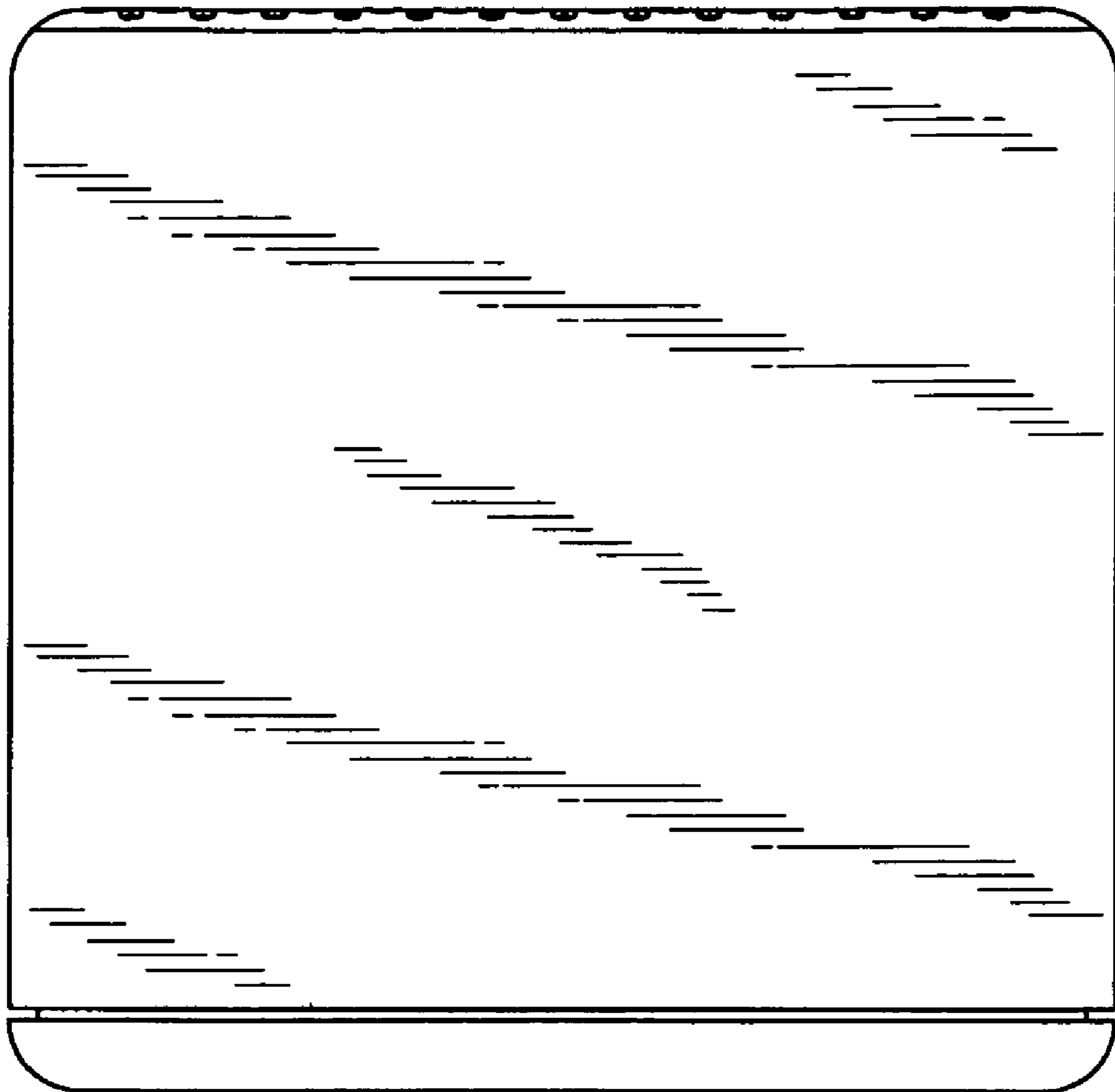


FIG. 5

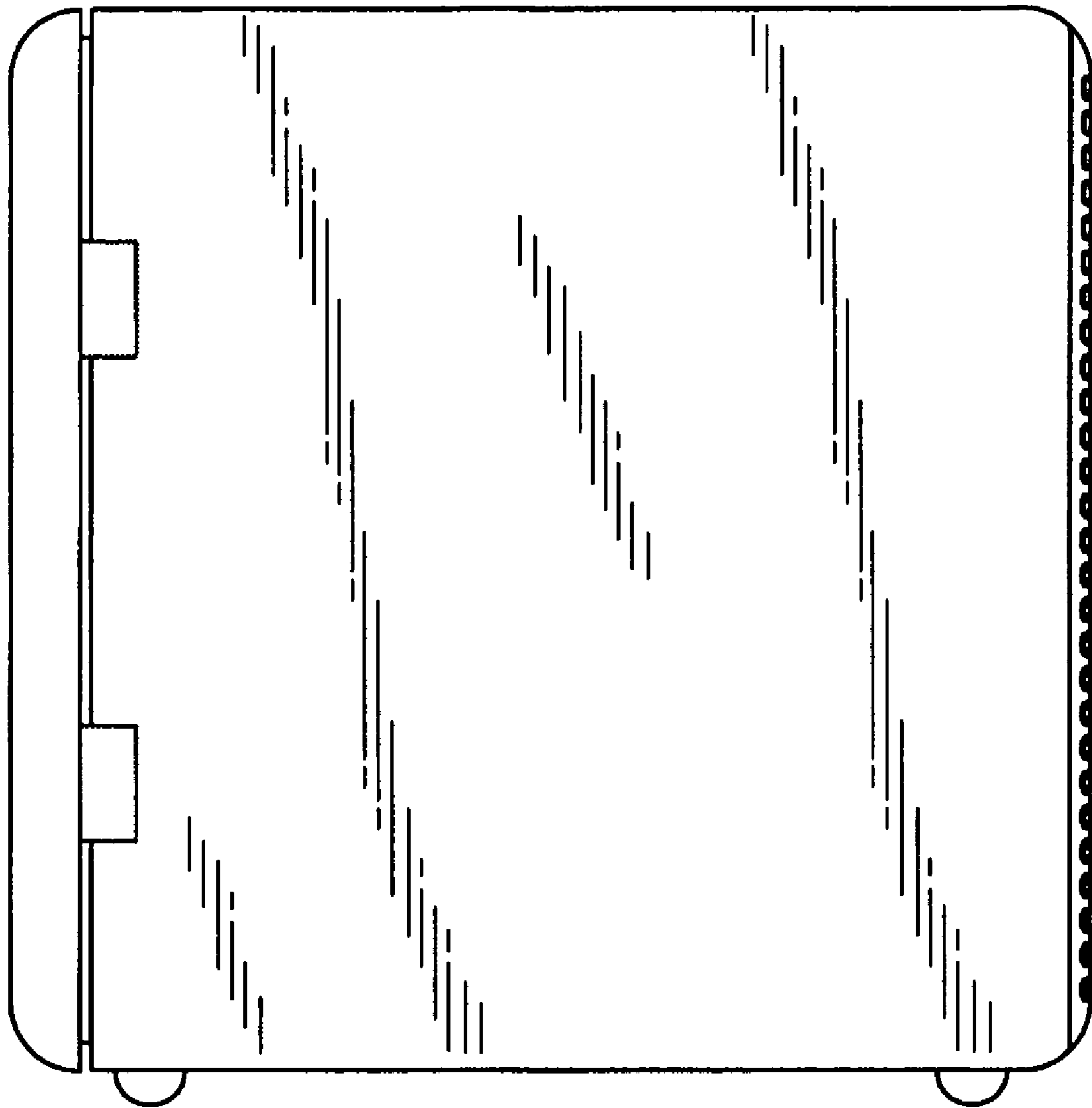


FIG. 6

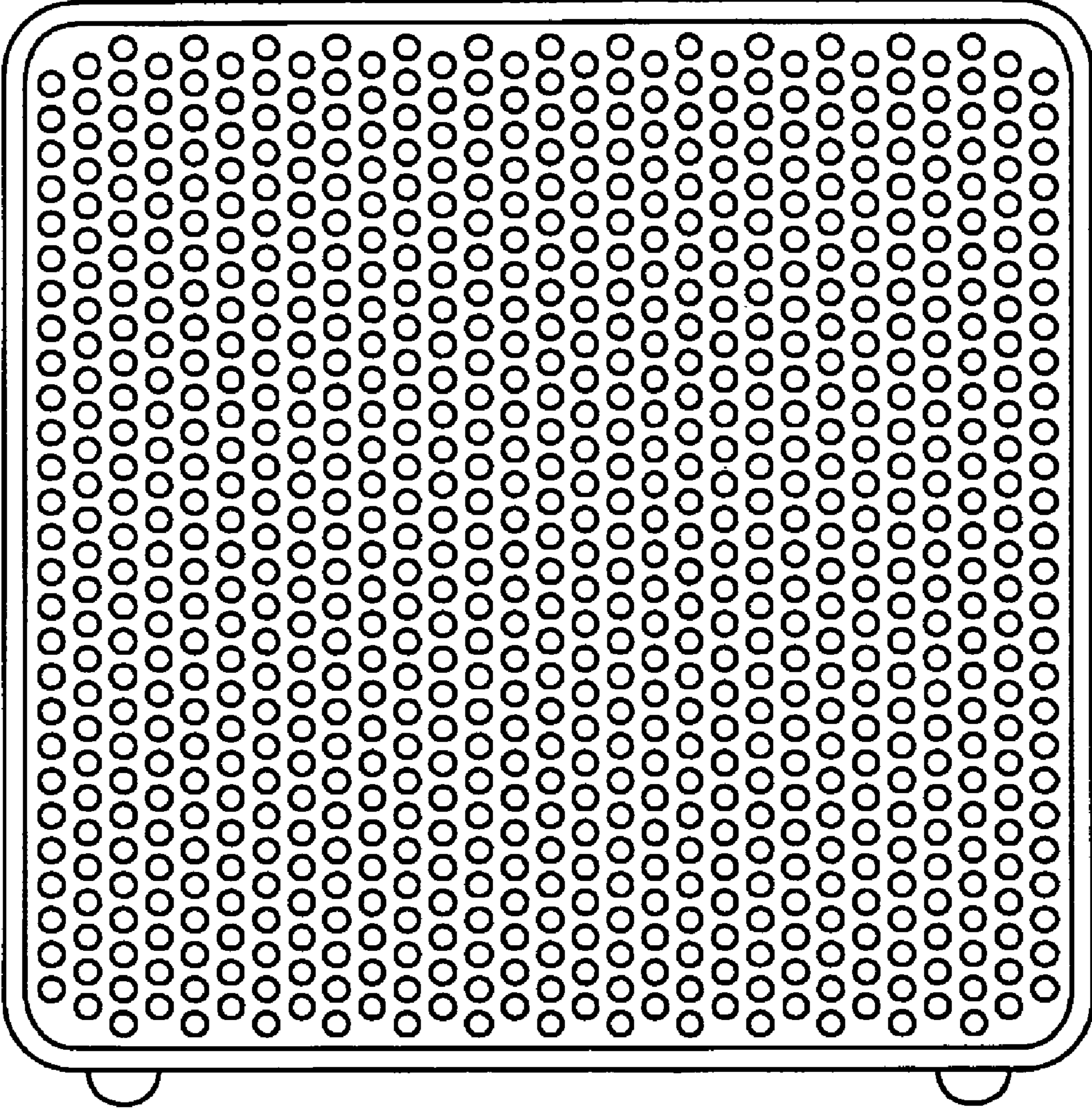


FIG. 7

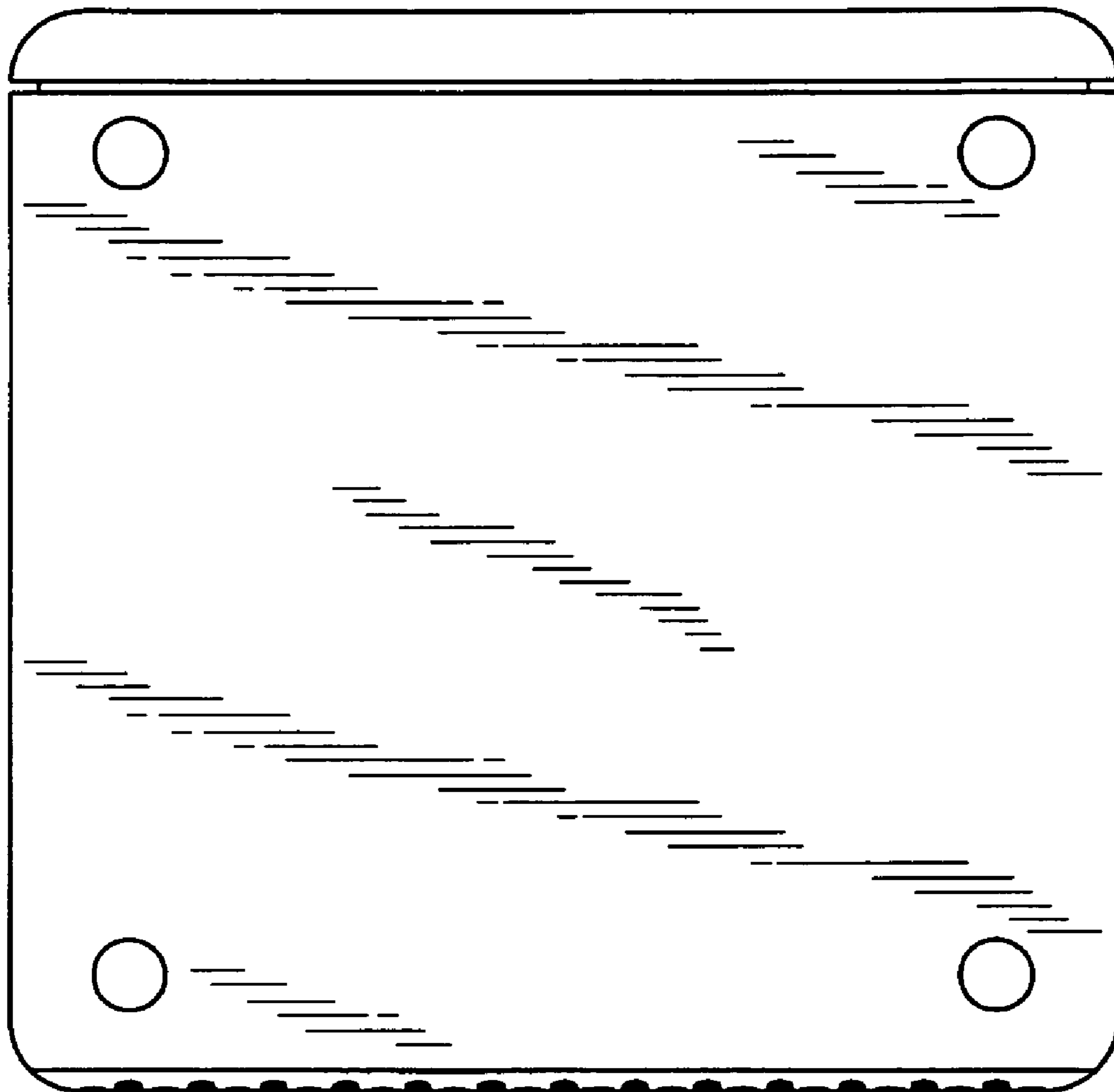




FIG. 8

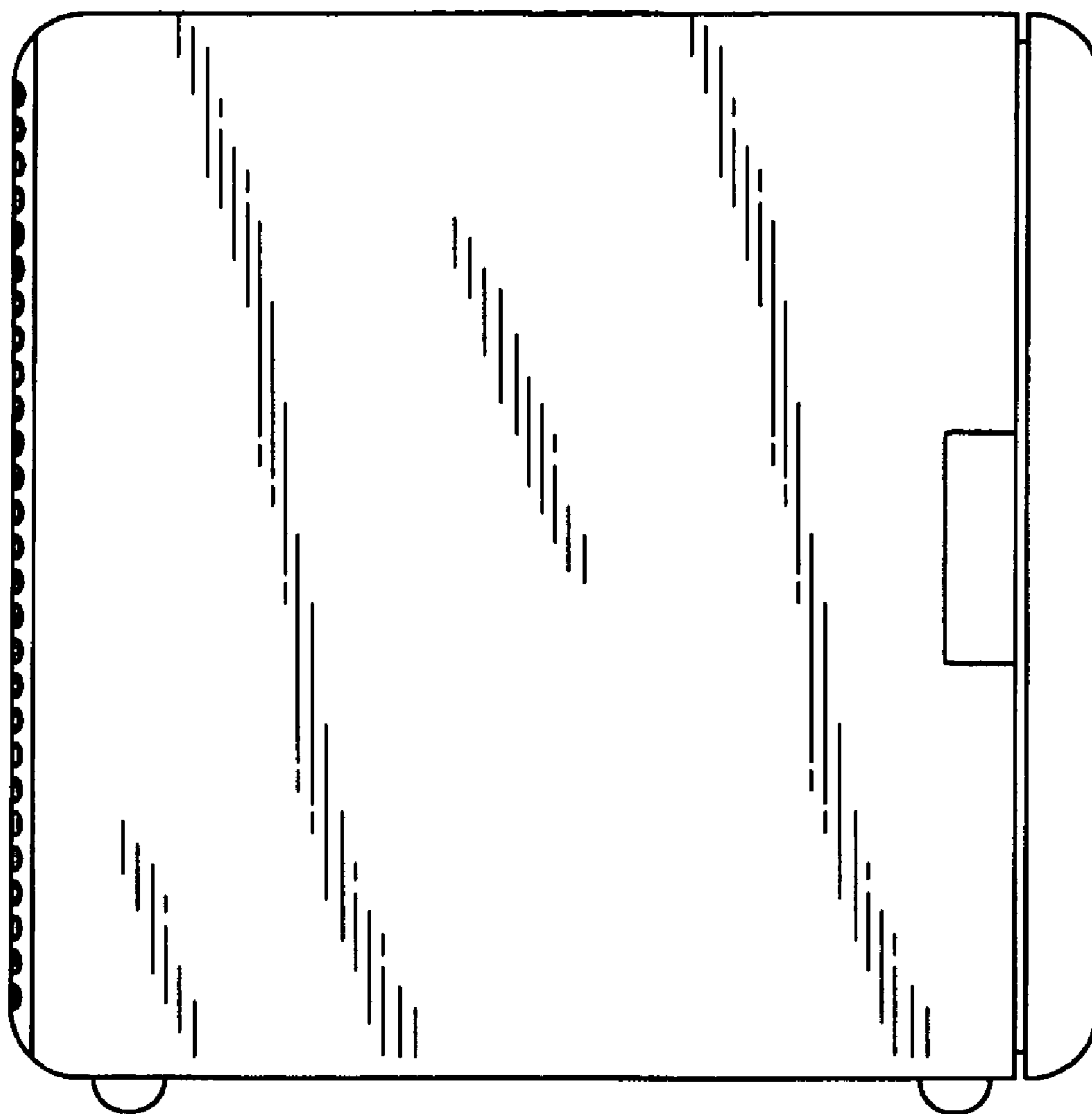


FIG. 9

