



US00D618256S

(12) **United States Design Patent**
Chapple et al.

(10) **Patent No.:** **US D618,256 S**
(45) **Date of Patent:** **** Jun. 22, 2010**

(54) **FRAME MEMBER FOR RIDE-ON POWER TROWEL**

(76) Inventors: **Larry Jake Chapple**, 4411 Jewell St., Boise, ID (US) 83706; **Dane Davis**, 1638 S. Coronado Ave., Boise, ID (US) 83709; **Brian Hammond**, 1930 W. Mulhuland Ct., Kuna, ID (US) 83634

(**) Term: **14 Years**

(21) Appl. No.: **29/331,668**

(22) Filed: **Jan. 29, 2009**

(51) **LOC (9) Cl.** **15-03**

(52) **U.S. Cl.** **D15/33; D15/10**

(58) **Field of Classification Search** D15/10, D15/17, 19, 22, 27, 28, 33; 404/85, 96, 112
See application file for complete search history.

(56) **References Cited**

U.S. PATENT DOCUMENTS

4,046,484	A	9/1977	Holz, Sr. et al.
D323,510	S	1/1992	Allen et al.
5,108,220	A	4/1992	Allen et al.
5,238,323	A	8/1993	Allen et al.

(Continued)

FOREIGN PATENT DOCUMENTS

EP 1 069 259 A2 1/2001

(Continued)

Primary Examiner—Ian Simmons

Assistant Examiner—Mark A Goodwin

(74) *Attorney, Agent, or Firm*—Dykas, Shaver & Nipper, LLP; Elizabeth Herbst Schierman

(57) **CLAIM**

The ornamental design for a frame member for ride-on power trowel, as shown and described.

DESCRIPTION

FIG. 1 is an isometric view of the front, right side, and top of a frame member for ride-on power trowel;

FIG. 2 is a front view of a frame member for ride-on power trowel in place on a ride-on power trowel;

FIG. 3 is a right side view of a frame member for ride-on power trowel in place on a ride-on power trowel;

FIG. 4 is a back view of a frame member for ride-on power trowel in place on a ride-on power trowel;

FIG. 5 is a top view of a frame member for ride-on power trowel in place on a ride-on power trowel;

FIG. 6 is a left side view of a frame member for ride-on power trowel in place on a ride-on power trowel;

FIG. 7 is a bottom view of a frame member for ride-on power trowel in place on a ride-on power trowel;

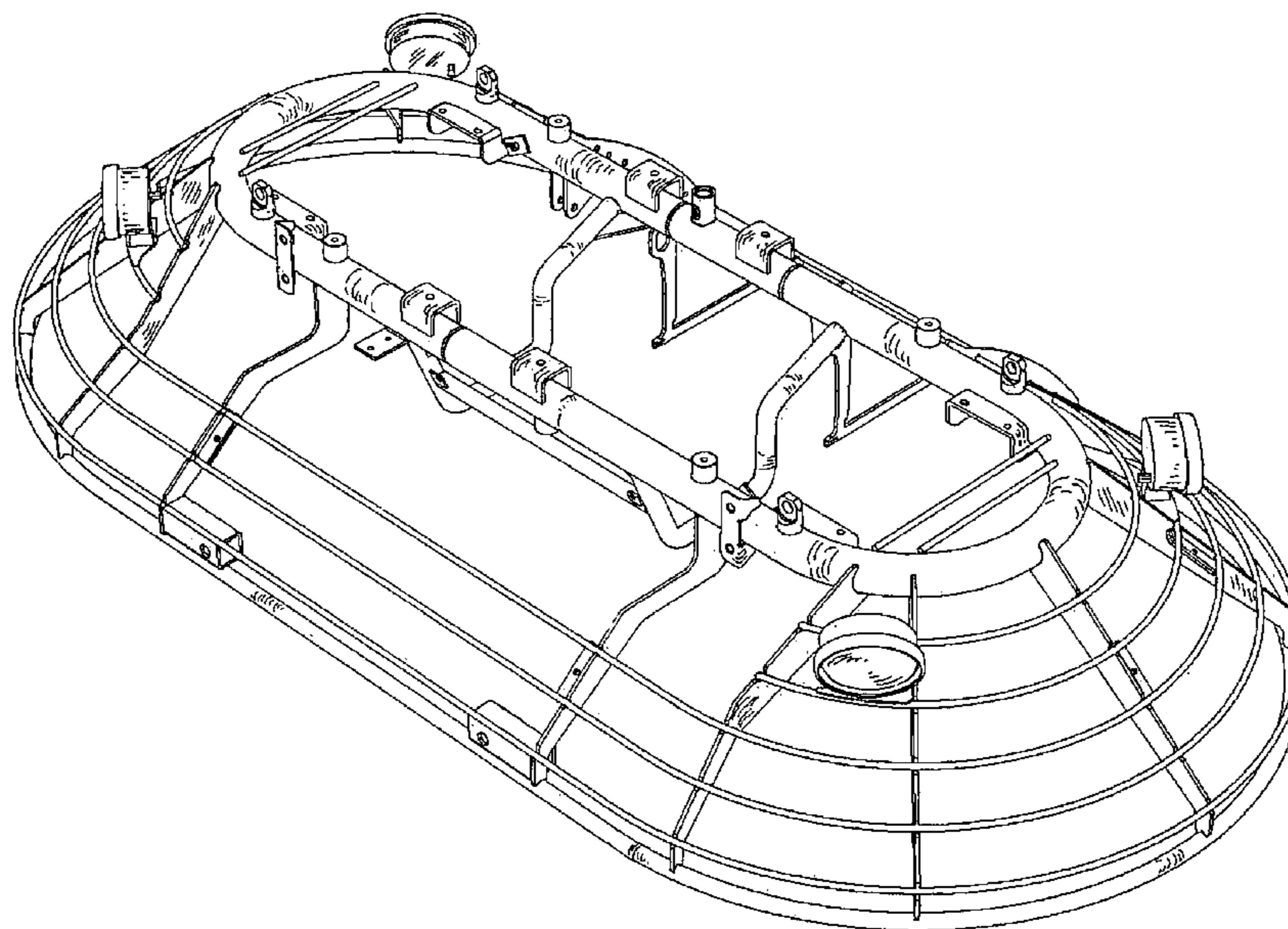
FIG. 8 is an isometric view of the front, right side, and top of a frame member for ride-on power trowel in place on a ride-on power trowel;

FIG. 9 is a front view of a frame member for ride-on power trowel in place on a ride-on power trowel in a second configuration; and,

FIG. 10 is an isometric view of the back, top, and right side of a frame member for ride-on power trowel in place on a ride-on power trowel.

The broken line showing of the ride-on power trowel is included for the purpose of illustrating environmental structure and forms no part of the claimed design.

1 Claim, 10 Drawing Sheets



US D618,256 S

Page 2

U.S. PATENT DOCUMENTS

D344,736 S	3/1994	Allen et al.					
5,480,257 A	1/1996	Allen					
5,480,258 A	1/1996	Allen					
5,613,801 A	3/1997	Allen					
5,632,570 A *	5/1997	Balling	404/112			
5,658,089 A *	8/1997	Allen	404/112			
5,685,667 A	11/1997	Allen					
5,803,658 A	9/1998	Allen					
5,816,740 A	10/1998	Jaszkowiak					
D400,542 S *	11/1998	Allen	D15/10			
D400,544 S *	11/1998	Allen	D15/28			
D404,041 S *	1/1999	Allen	D15/28			
5,890,833 A *	4/1999	Allen et al.	404/112			
D413,127 S *	8/1999	Allen	D15/28			
5,934,823 A	8/1999	Allen					
5,967,696 A	10/1999	Allen et al.					
D416,564 S *	11/1999	Allen et al.	D15/28			
5,988,938 A	11/1999	Allen					
6,019,545 A *	2/2000	Allen et al.	404/112			
6,053,660 A	4/2000	Allen et al.					
6,089,786 A	7/2000	Allen et al.					
6,106,193 A	8/2000	Allen et al.					
6,250,844 B1	6/2001	Sartler et al.					
D453,344 S	2/2002	Smith et al.					
6,368,016 B1 *	4/2002	Smith et al.	404/112			
D466,909 S *	12/2002	Allen et al.	D15/10			
D474,203 S *	5/2003	Allen et al.	D15/10			
6,582,153 B1 *	6/2003	Allen et al.	404/112			
6,592,290 B2	7/2003	Jaszkowiak					
2007/0292207 A1 *	12/2007	Reed et al.	404/112			
2008/0019774 A1 *	1/2008	Stenzel	404/112			
2009/0028642 A1 *	1/2009	Berritta	404/112			

FOREIGN PATENT DOCUMENTS

EP 1 069 260 A2 1/2001

* cited by examiner

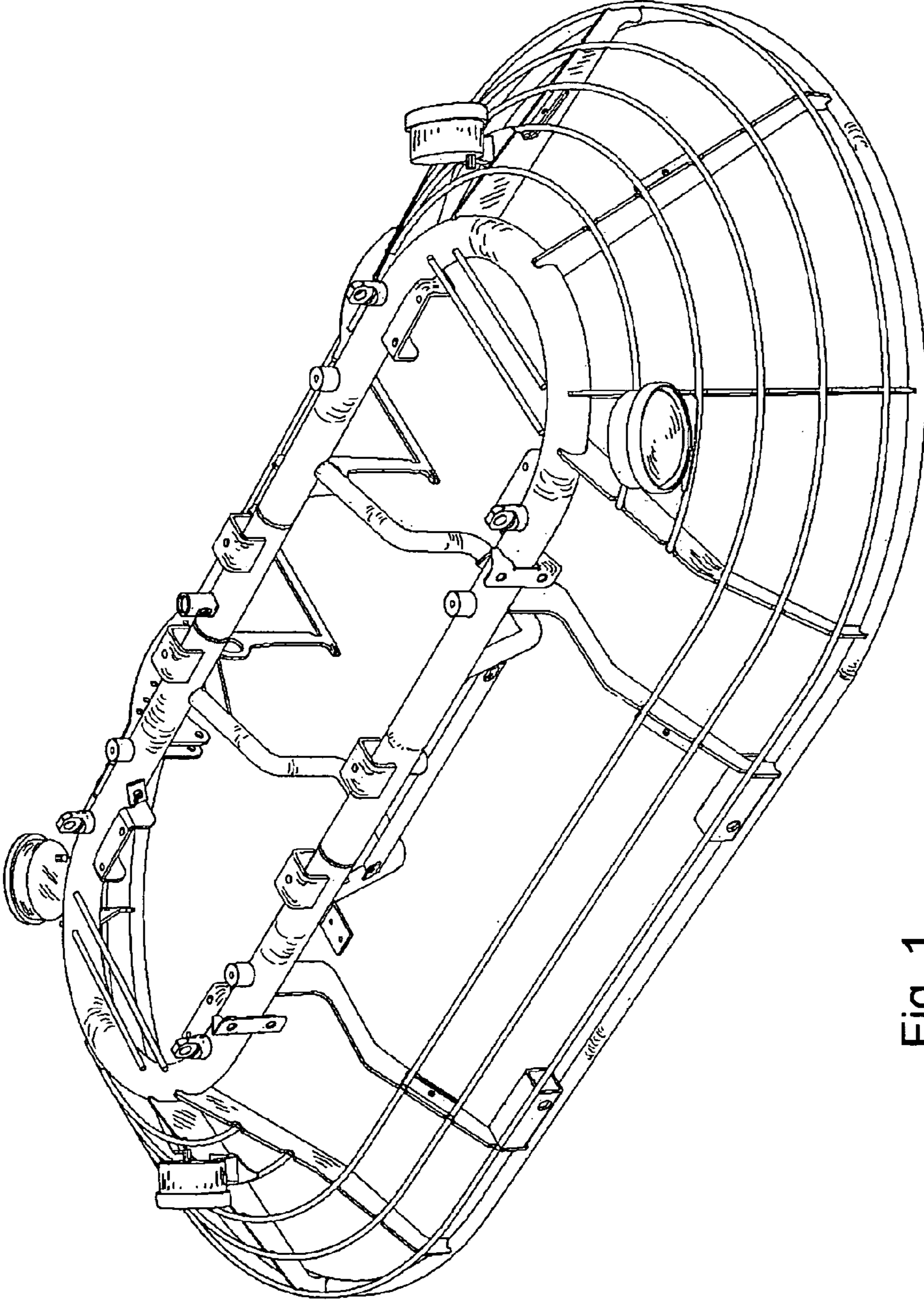


Fig. 1

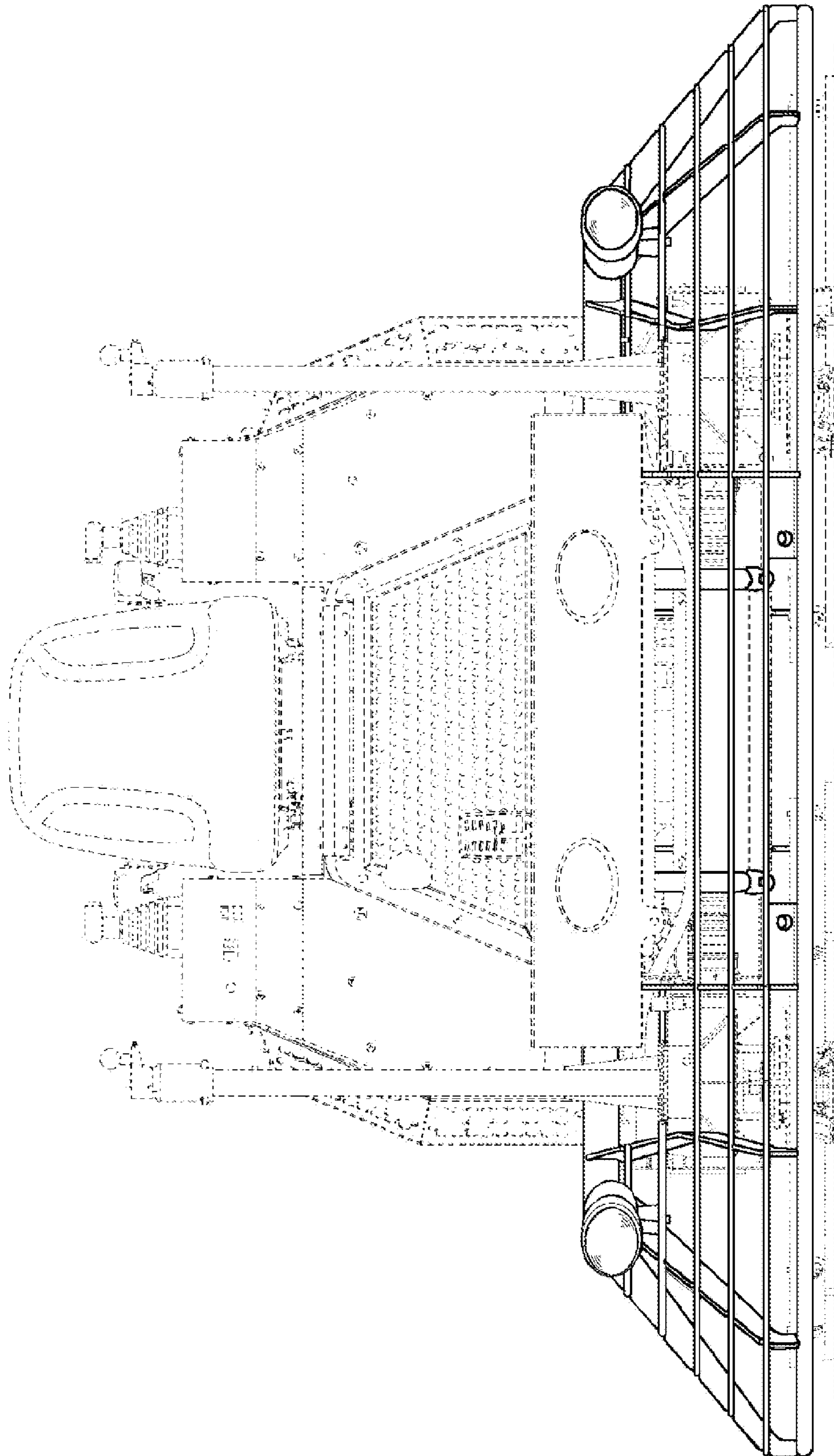


Fig. 2

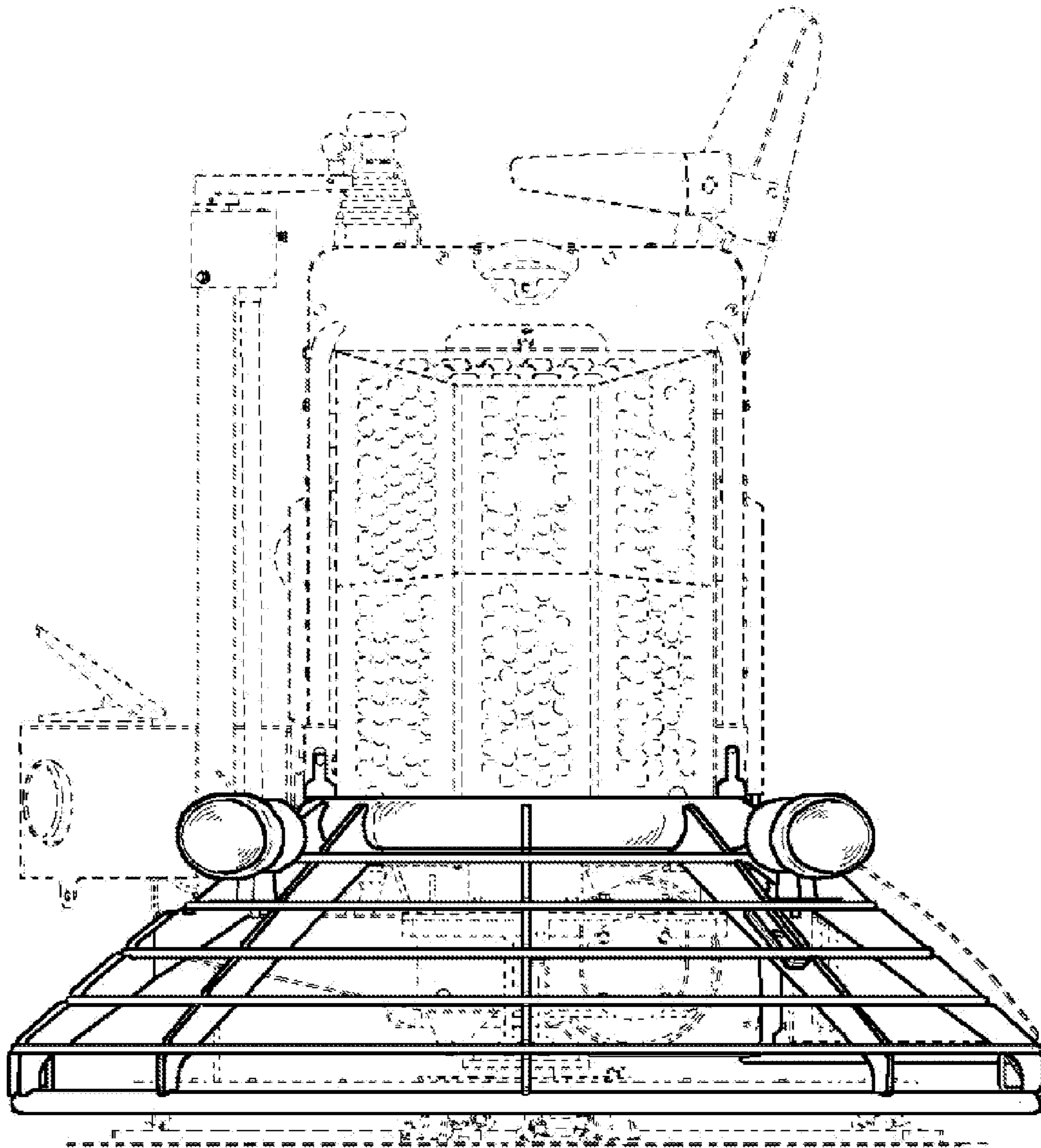


Fig. 3

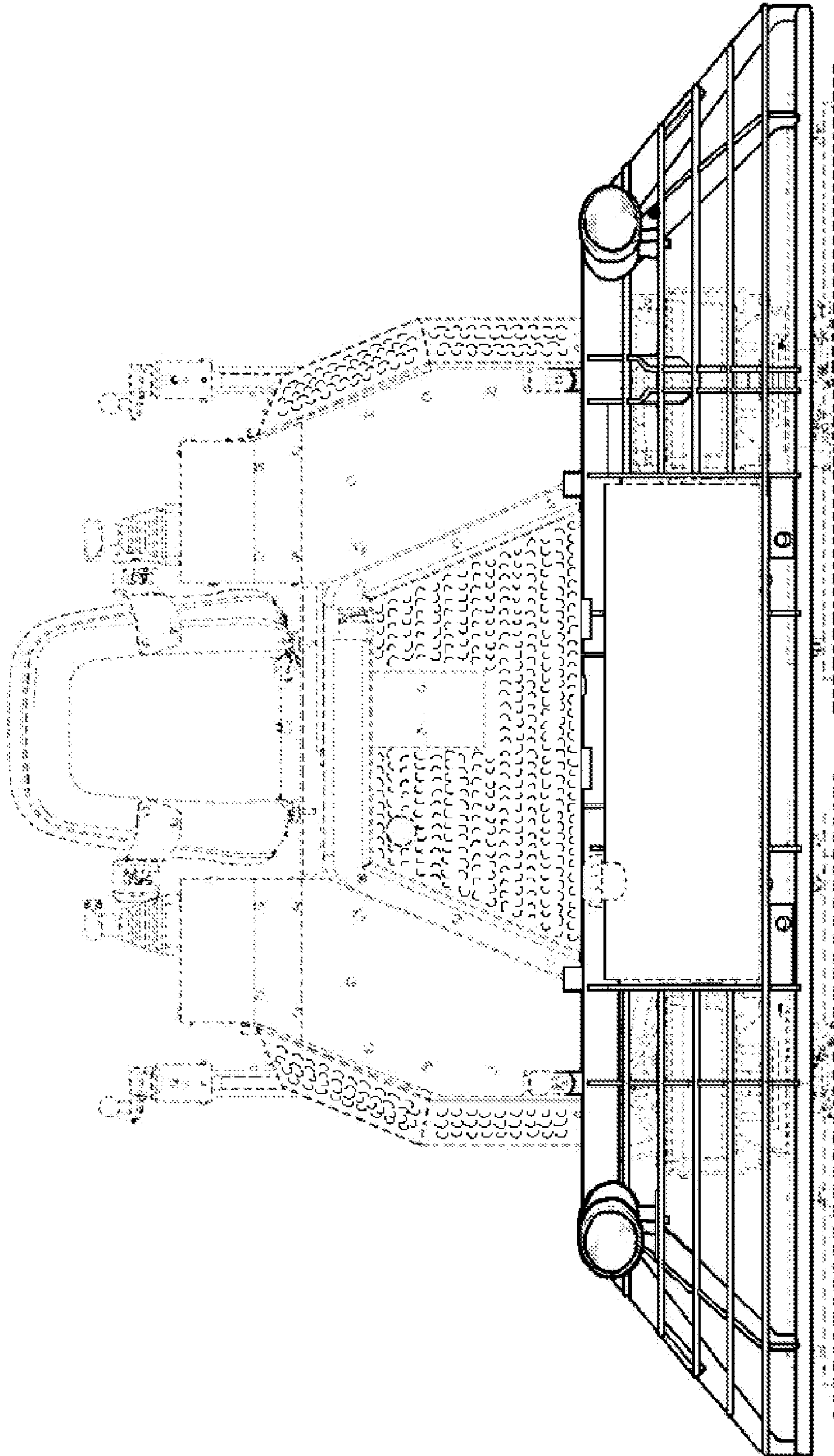


Fig. 4

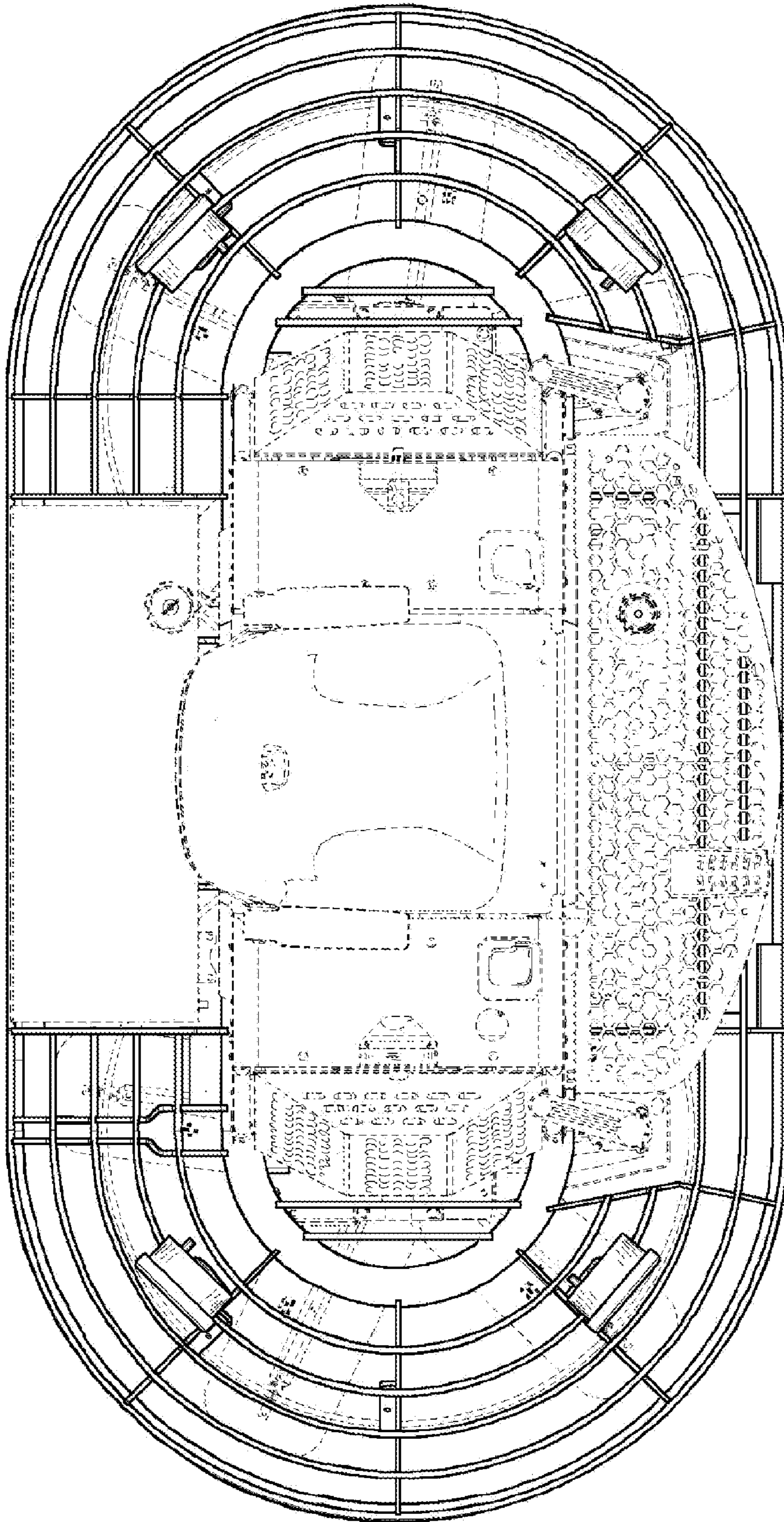


Fig. 5

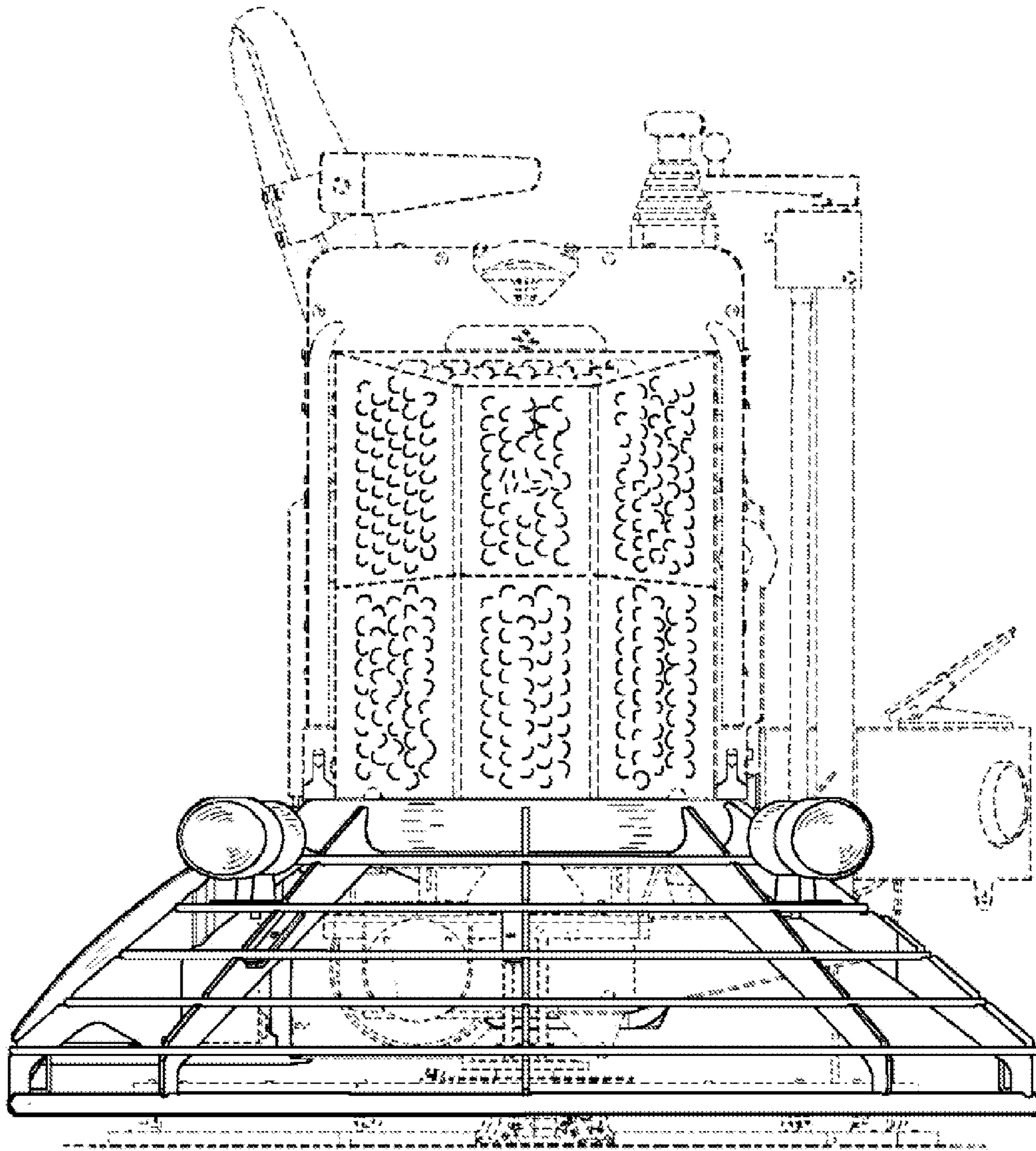


Fig. 6

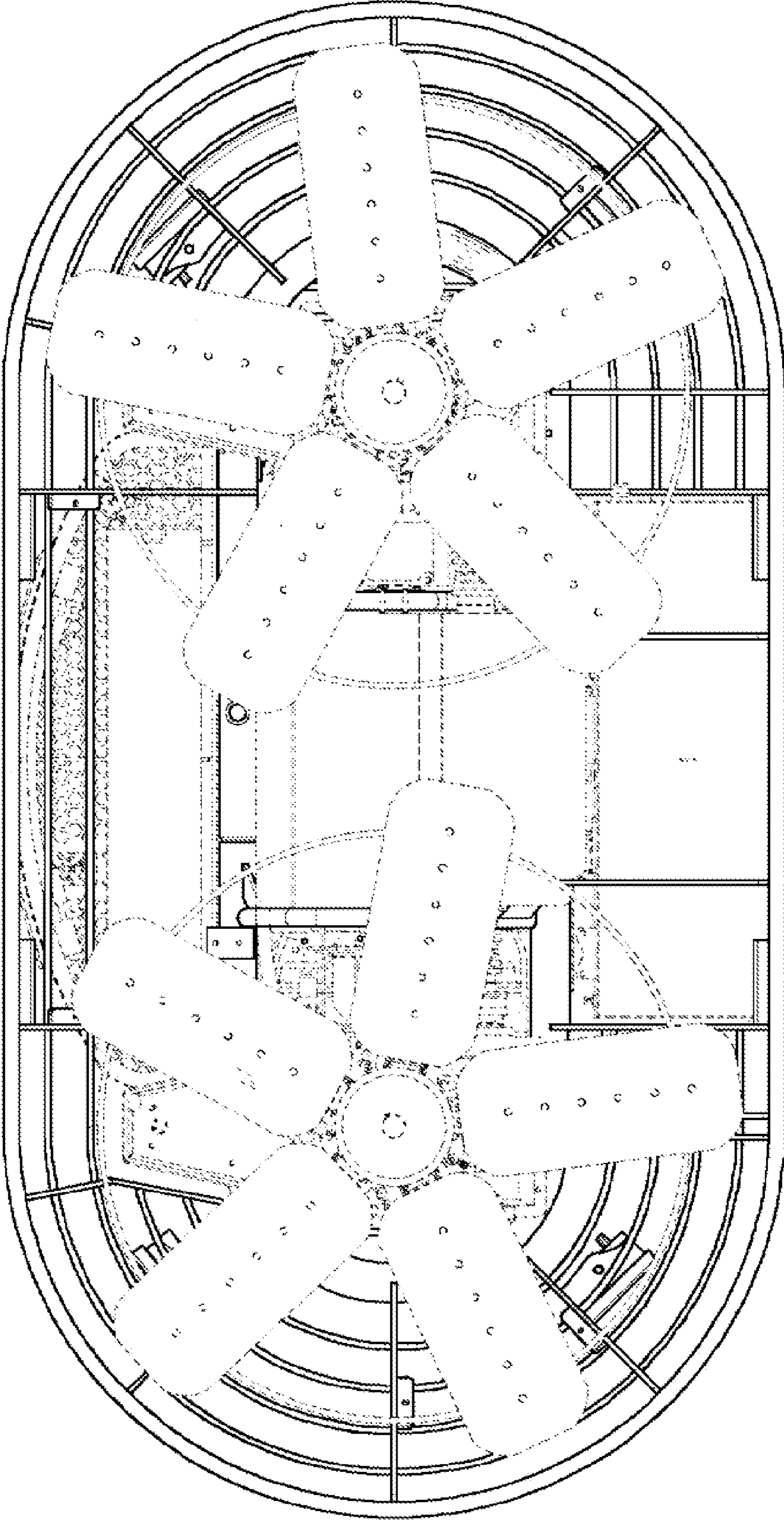


Fig. 7

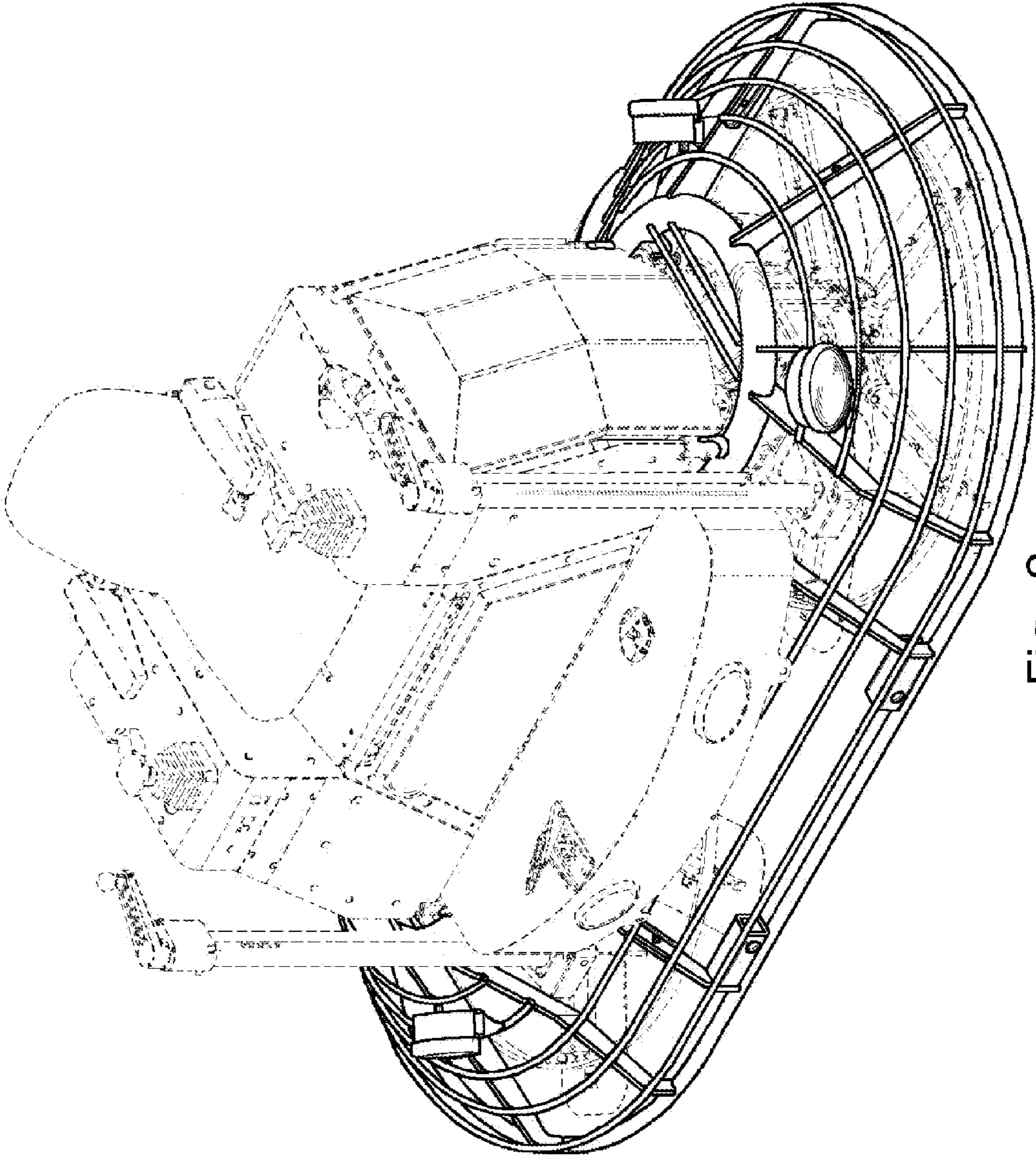


Fig. 8

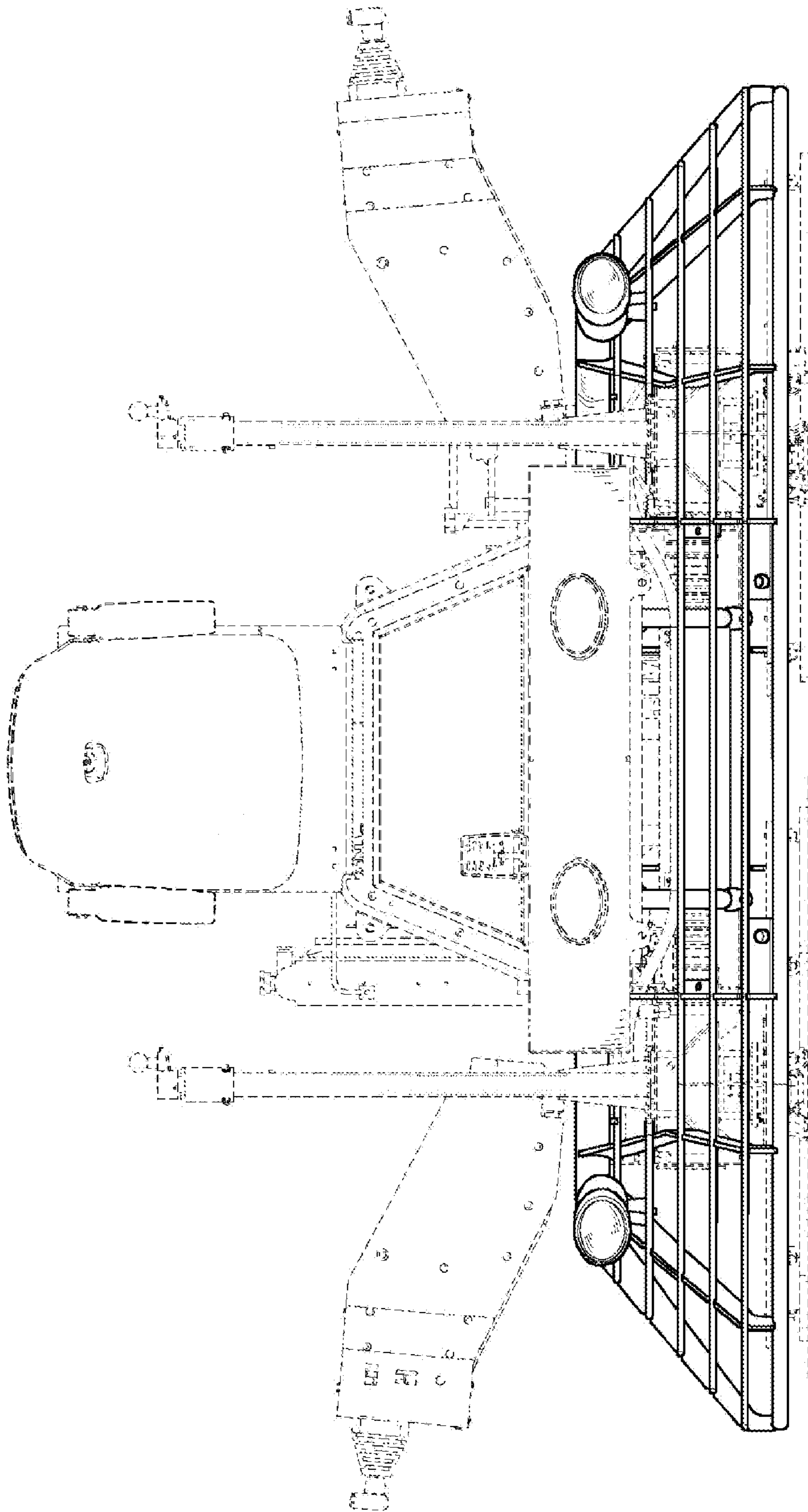


Fig. 9

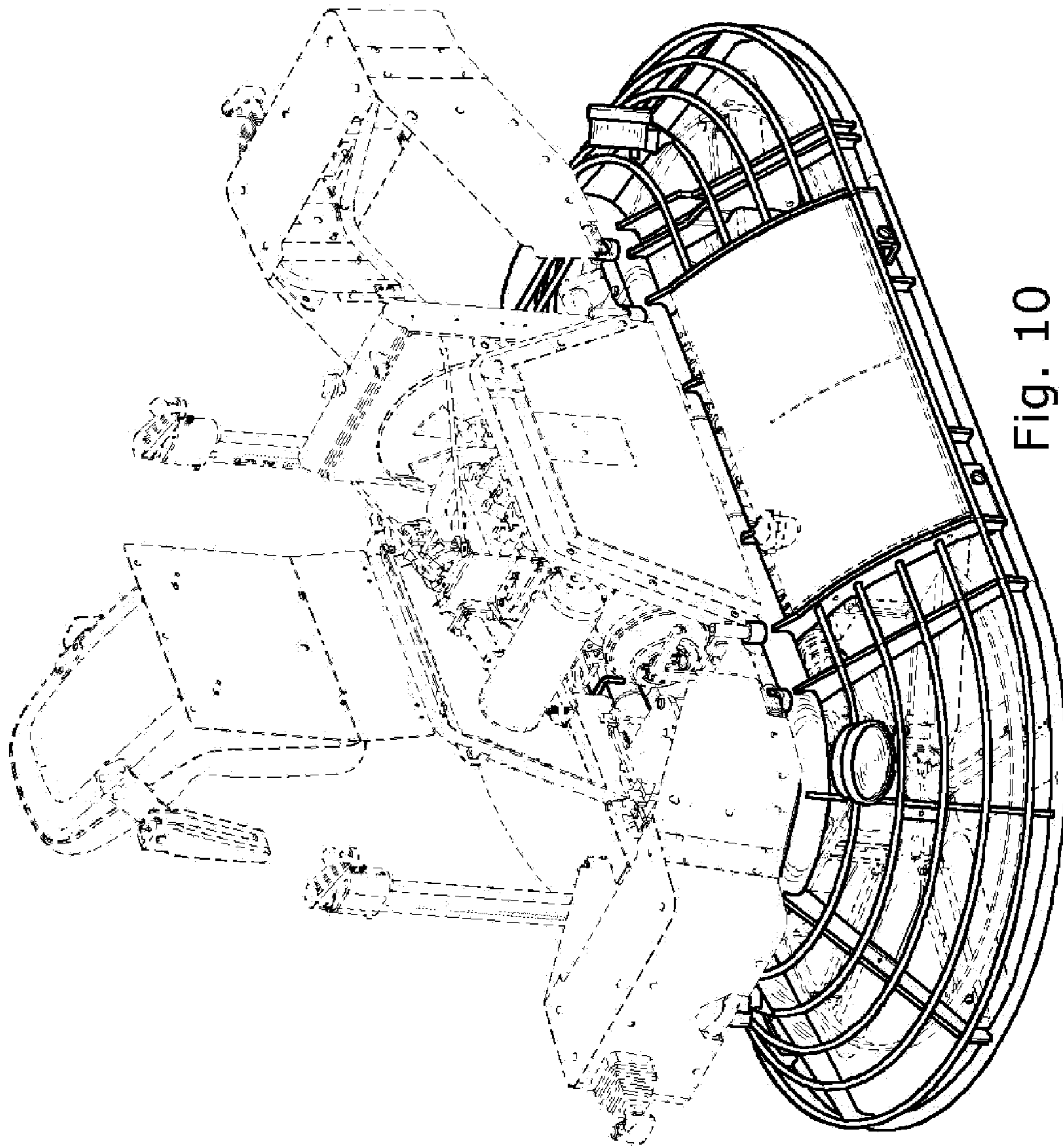


Fig. 10