



US00D618244S

(12) **United States Design Patent**
Sweet et al.

(10) **Patent No.:** **US D618,244 S**
(45) **Date of Patent:** **** Jun. 22, 2010**

(54) **ACCESSORY CLIP FOR AN ELECTRONIC DEVICE**

(75) Inventors: **Kenneth Sweet**, San Francisco, CA (US); **Xuan Shu**, San Francisco, CA (US)

(73) Assignee: **Barnes & Noble, Inc.**, New York, NY (US)

(**) Term: **14 Years**

(21) Appl. No.: **29/345,601**

(22) Filed: **Oct. 19, 2009**

(51) **LOC (9) Cl.** **14-02**

(52) **U.S. Cl.** **D14/432; D14/299**

(58) **Field of Classification Search** D14/324, D14/328, 341–347, 411, 432, 439–446, 299; D13/218, 318, 319, 321, 322, 328; D8/349, D8/354; D19/56; 361/679.56; 24/546; 248/560
See application file for complete search history.

(56) **References Cited**

U.S. PATENT DOCUMENTS

735,453	A *	8/1903	Bliven	24/546
1,099,759	A *	6/1914	Niles	24/364
D92,817	S *	7/1934	Lovejoy	D19/56
2,393,514	A *	1/1946	Bicknell	24/546
RE25,182	E *	6/1962	Larson	24/530
D313,246	S *	12/1990	Porsche	D19/51
D431,365	S *	10/2000	Searfoss	D3/328
D438,777	S *	3/2001	Alecci	D8/354
D439,502	S *	3/2001	Shan	D8/354
6,356,442	B1 *	3/2002	Lunsford	361/679.56
6,356,443	B2 *	3/2002	Jenks et al.	361/679.56
6,532,148	B2 *	3/2003	Jenks et al.	361/679.56
6,809,921	B2 *	10/2004	Wu et al.	361/679.56

7,377,390	B2 *	5/2008	Modesto	206/464
D572,118	S *	7/2008	Tokumoto	D8/354
D587,099	S *	2/2009	Brizendine	D8/354
D589,778	S *	4/2009	Pratt	D8/317
D596,186	S *	7/2009	Sempliner et al.	D14/441
D600,534	S *	9/2009	Tokumoto	D8/354

* cited by examiner

Primary Examiner—Cathron C Brooks

Assistant Examiner—Deanna Fluegeman

(74) *Attorney, Agent, or Firm*—Dickstein Shapiro LLP

(57) **CLAIM**

The ornamental design for an accessory clip for an electronic device, as shown and described.

DESCRIPTION

FIG. 1 is a perspective view of the front of an accessory clip for an electronic device showing our new design;

FIG. 2 is a perspective view of the rear of an accessory clip for an electronic device showing our new design;

FIG. 3 is a front view of an accessory clip for an electronic device showing our new design;

FIG. 4 is a rear view of an accessory clip for an electronic device showing our new design;

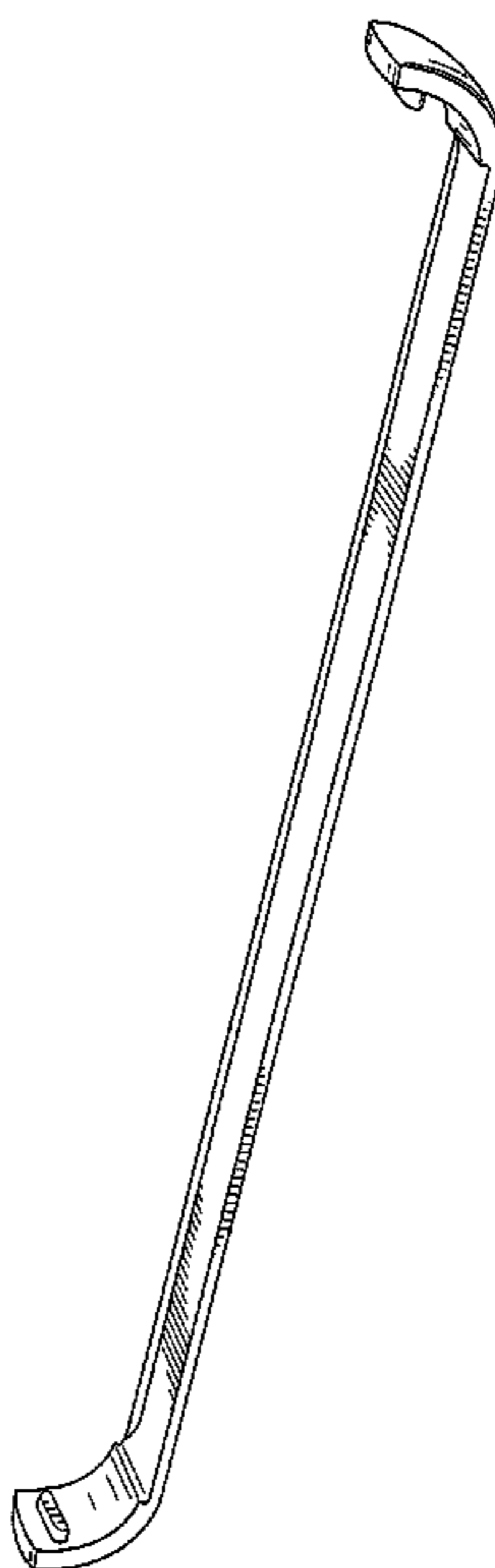
FIG. 5 is a right side view of an accessory clip for an electronic device showing our new design;

FIG. 6 is a left side view of an accessory clip for an electronic device showing our new design;

FIG. 7 is a top view of an accessory clip for an electronic device showing our new design; and,

FIG. 8 is a bottom view of an accessory clip for an electronic device showing our new design.

1 Claim, 4 Drawing Sheets



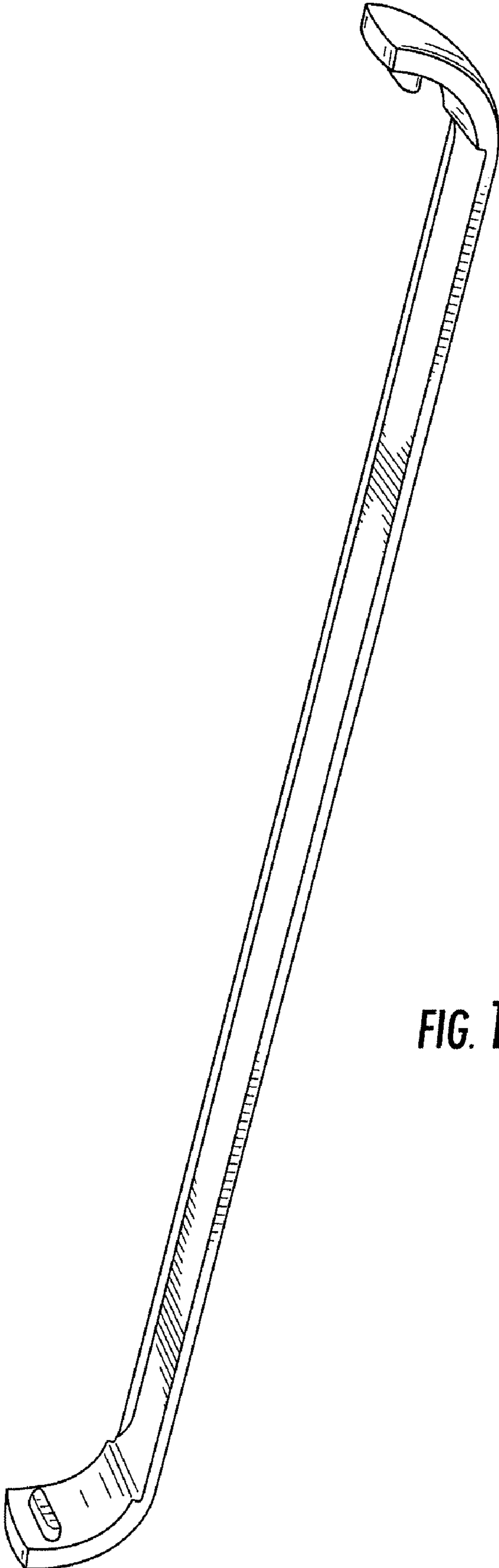


FIG. 1

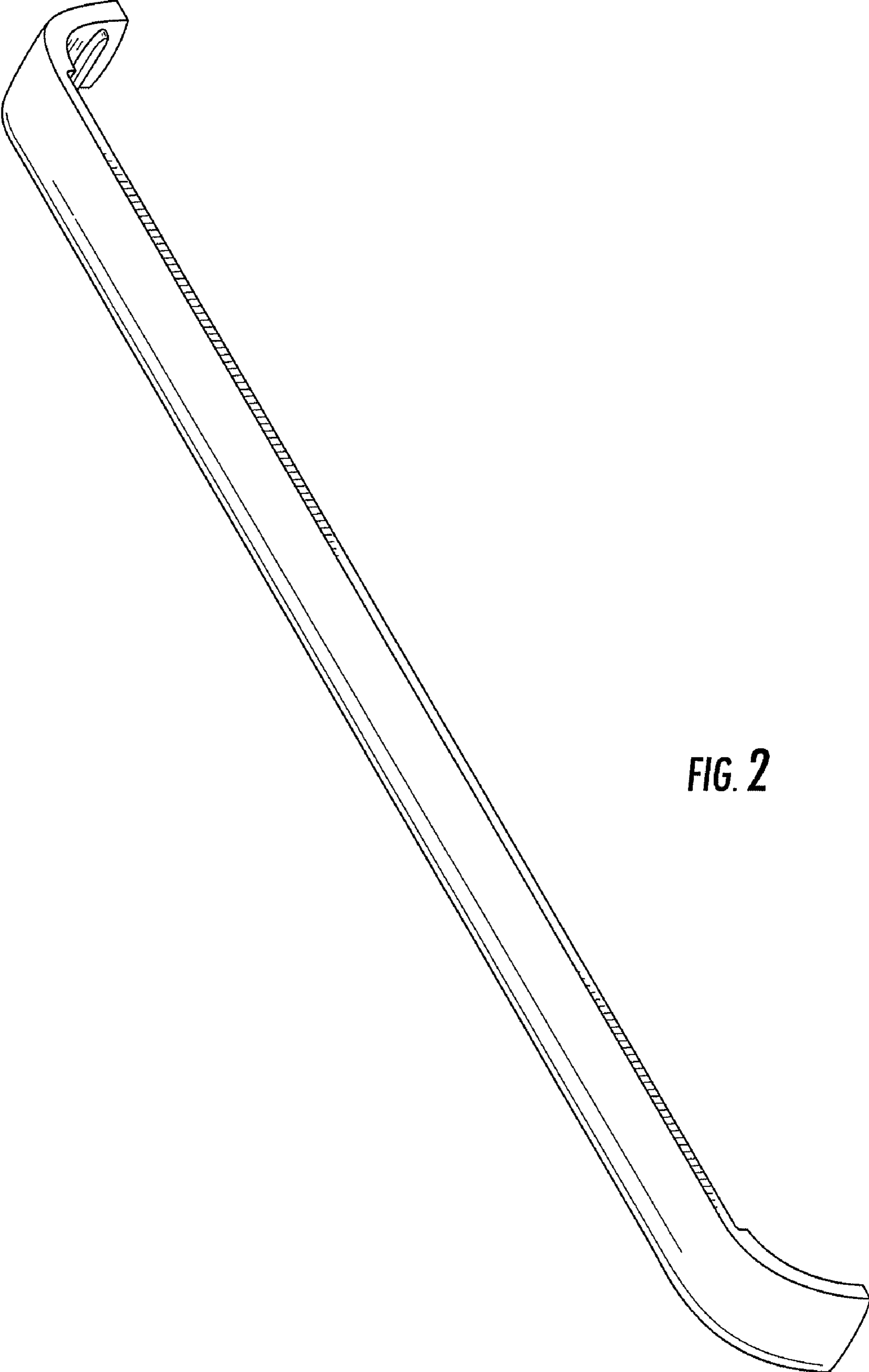


FIG. 2

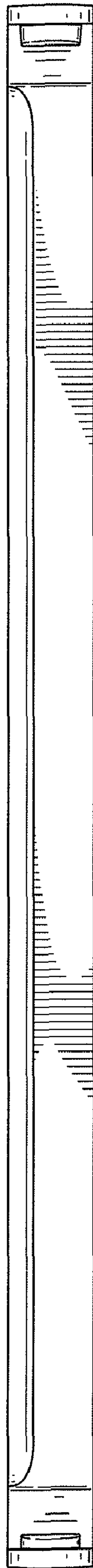


FIG. 3

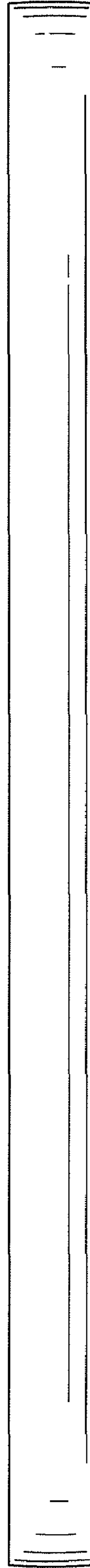


FIG. 4

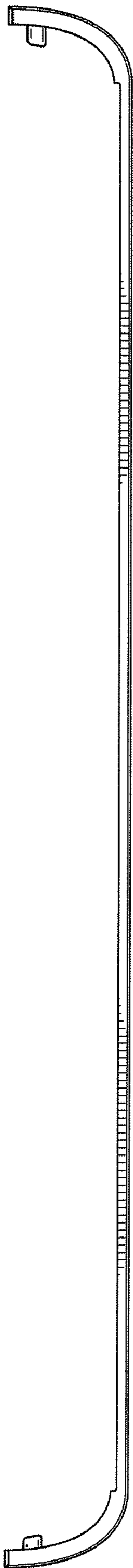


FIG. 5

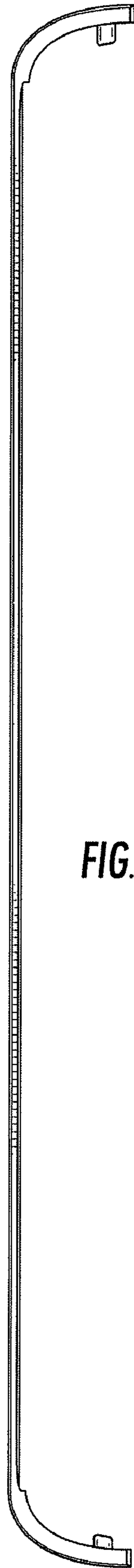


FIG. 6

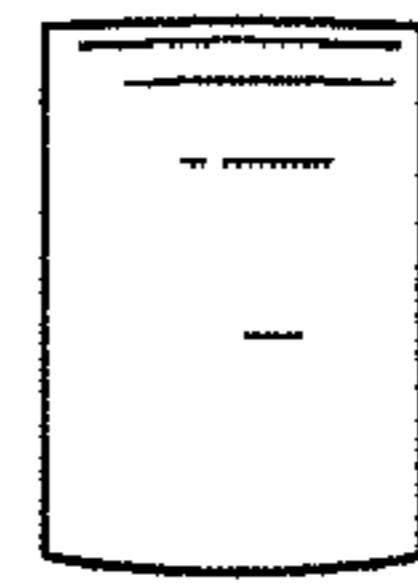


FIG. 7



FIG. 8