



US00D618242S

(12) **United States Design Patent**  
**Akana et al.**

(10) **Patent No.:** **US D618,242 S**  
(45) **Date of Patent:** **\*\* Jun. 22, 2010**

(54) **ELECTRONIC DEVICE**

(75) Inventors: **Jody Akana**, San Francisco, CA (US);  
**Bartley K. Andre**, Menlo Park, CA (US);  
**Jeremy Bataillou**, San Francisco, CA (US);  
**Daniel J. Coster**, San Francisco, CA (US);  
**Daniele De Iuliis**, San Francisco, CA (US);  
**Evans Hankey**, San Francisco, CA (US);  
**Richard P. Howarth**, San Francisco, CA (US);  
**Jonathan P. Ive**, San Francisco, CA (US);  
**Duncan Robert Kerr**, San Francisco, CA (US);  
**Shin Nishibori**, Portola Valley, CA (US);  
**Matthew Dean Rohrbach**, San Francisco, CA (US);  
**Peter Russell-Clarke**, San Francisco, CA (US);  
**Christopher J. Stringer**, Woodside, CA (US);  
**Eugene Antony Whang**, San Francisco, CA (US);  
**Rico Zorkendorfer**, San Francisco, CA (US)

(73) Assignee: **Apple Inc.**, Cupertino, CA (US)

(\*\*) Term: **14 Years**

(21) Appl. No.: **29/345,588**

(22) Filed: **Oct. 19, 2009**

(51) **LOC (9) Cl.** ..... **14-02**

(52) **U.S. Cl.** ..... **D14/374**

(58) **Field of Classification Search** ..... D14/371-376,  
D14/125-129, 336, 337; 248/917-924, 371,  
248/121, 176.1, 278.1; 341/12; 345/104,  
345/156, 173, 174, 901-905; 348/180, 184,  
348/325, 739; 349/1, 2, 11, 62; 361/679.08

See application file for complete search history.

(56) **References Cited**

**U.S. PATENT DOCUMENTS**

D401,574 S 11/1998 Leman et al.

(Continued)

**OTHER PUBLICATIONS**

Macworld magazine, Jun. 2007, cover.

(Continued)

*Primary Examiner*—Freda S Nunn

(74) *Attorney, Agent, or Firm*—SAIDMAN DesignLaw Group

(57) **CLAIM**

The ornamental design for an electronic device, as shown and described.

**DESCRIPTION**

FIG. 1 is a front perspective view of an electronic device showing our new design;

FIG. 2 is rear perspective view thereof;

FIG. 3 is a front view thereof;

FIG. 4 is a rear view thereof;

FIG. 5 is a right side view thereof;

FIG. 6 is a left side view thereof;

FIG. 7 is a top view thereof;

FIG. 8 is a bottom view thereof;

FIG. 9 is an alternative bottom view thereof with the stand removed;

FIG. 10 is a front perspective view of a second embodiment thereof;

FIG. 11 is rear perspective view thereof;

FIG. 12 is a front view thereof;

FIG. 13 is a rear view thereof;

FIG. 14 is a right side view thereof;

FIG. 15 is a left side view thereof;

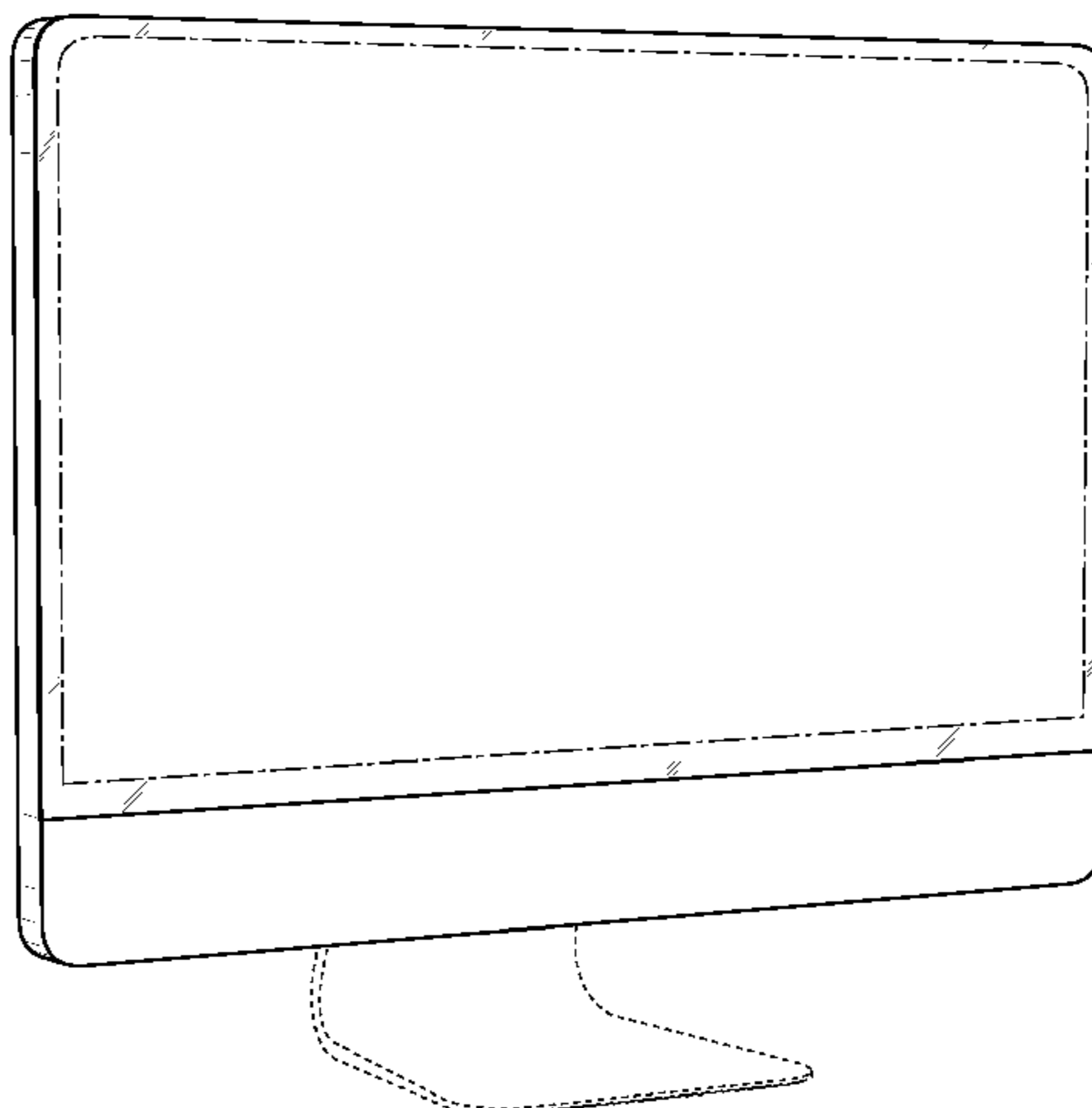
FIG. 16 is a top view thereof;

FIG. 17 is a bottom view thereof; and,

FIG. 18 is an alternative bottom view thereof with the stand removed.

The dashed broken lines illustrate environmental structure and form no part of the claimed design. The dash-dot broken lines define boundaries of the claimed design and form no part thereof. The light gray shade lines on the surface portions indicate contour and not surface decoration. The portion of the computer shown in gray shading represents a metallic surface.

**1 Claim, 14 Drawing Sheets**



# US D618,242 S

Page 2

## U.S. PATENT DOCUMENTS

D416,549 S \* 11/1999 Coster et al. .... D14/375  
D416,876 S 11/1999 Yin  
D416,877 S 11/1999 Liu et al.  
D423,475 S 4/2000 Maruyama et al.  
D425,035 S 5/2000 Kondo et al.  
D428,415 S 7/2000 Shibata  
D434,763 S 12/2000 Jobs et al.  
D453,022 S 1/2002 Oba  
D454,352 S 3/2002 Love et al.  
6,381,125 B1 \* 4/2002 Mizoguchi et al. .... 361/679.08  
D483,363 S 12/2003 Olson et al.  
D495,706 S 9/2004 Lin et al.  
D504,889 S \* 5/2005 Andre et al. .... D14/341  
D520,006 S 5/2006 Chen et al.  
D529,913 S \* 10/2006 Chen et al. .... D14/375  
D531,631 S 11/2006 Andre et al.  
D532,011 S 11/2006 Andre et al.  
D541,278 S \* 4/2007 Hsu et al. .... D14/375  
D541,799 S 5/2007 Andre et al.  
7,232,098 B2 6/2007 Rawlings et al.  
D545,820 S 7/2007 Won et al.  
D556,755 S 12/2007 Lee et al.

D598,446 S 8/2009 Pan et al.  
D600,696 S 9/2009 Andre et al.  
D604,733 S 11/2009 Andre et al.  
D605,193 S 12/2009 Andre et al.  
2002/0020792 A1 \* 2/2002 Lee ..... 248/278.1  
2003/0189155 A1 \* 10/2003 Serbinski et al. .... 248/371  
2006/0076463 A1 \* 4/2006 Drew ..... 248/121  
2006/0237599 A1 \* 10/2006 Ternus et al. .... 248/176.1

## OTHER PUBLICATIONS

U.S. Appl. No. 29/289,807 entitled "Computer" filed Aug. 1, 2007, as amended Aug. 25, 2009.

Apple iMac, <http://www.apple.com/imac>, available at least as early as Oct. 10, 2008.

U.S. Appl. No. 29/326,226 entitled "Monitor" filed Oct. 14, 2008, as amended Aug. 9, 2009.

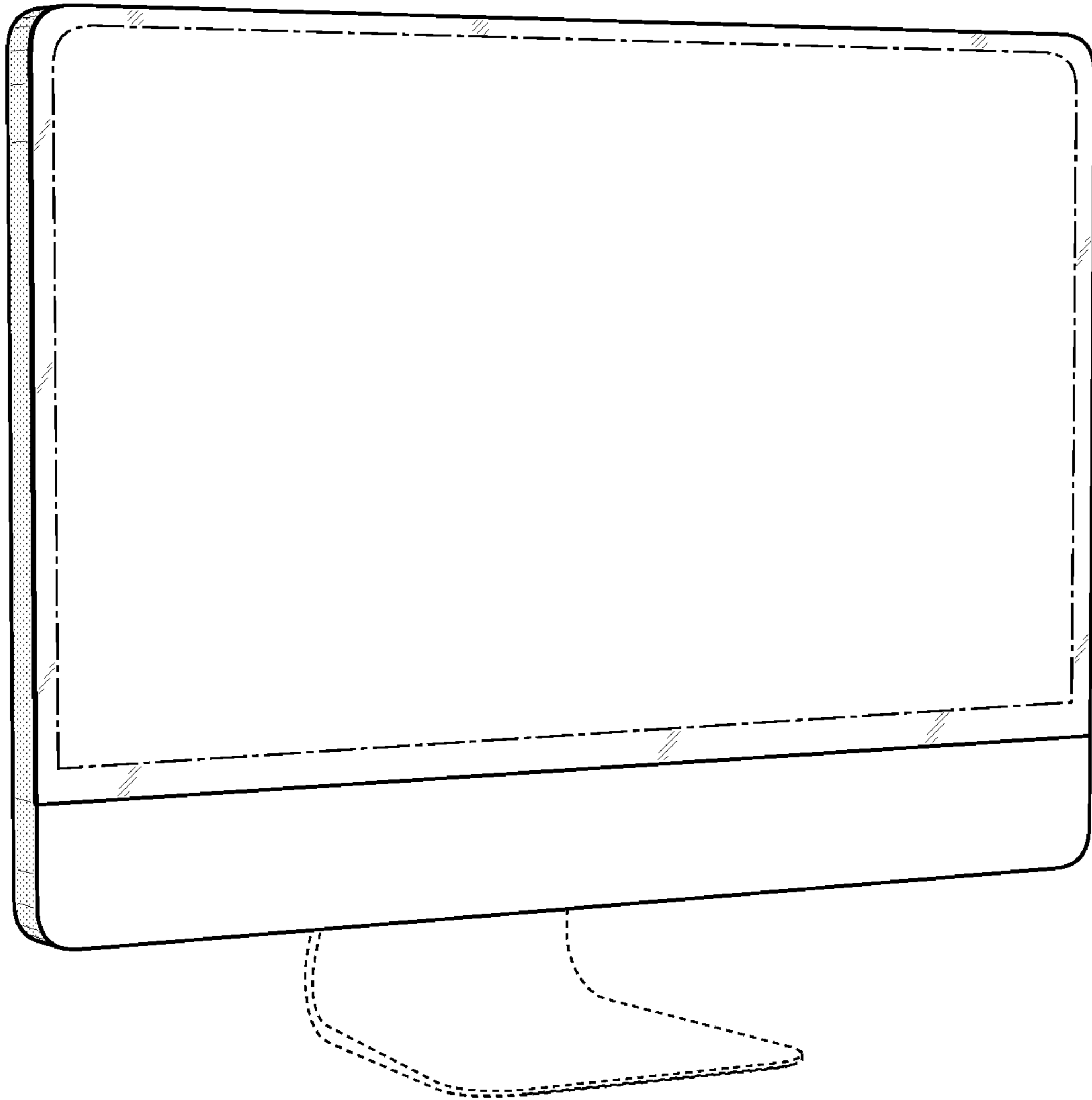
U.S. Appl. No. 29/327,929 entitled "Electronic Device" filed Nov. 14, 2008, as amended Jan. 26, 2009.

U.S. Appl. No. 29/338,530 entitled "Monitor" filed Jun. 12, 2009.

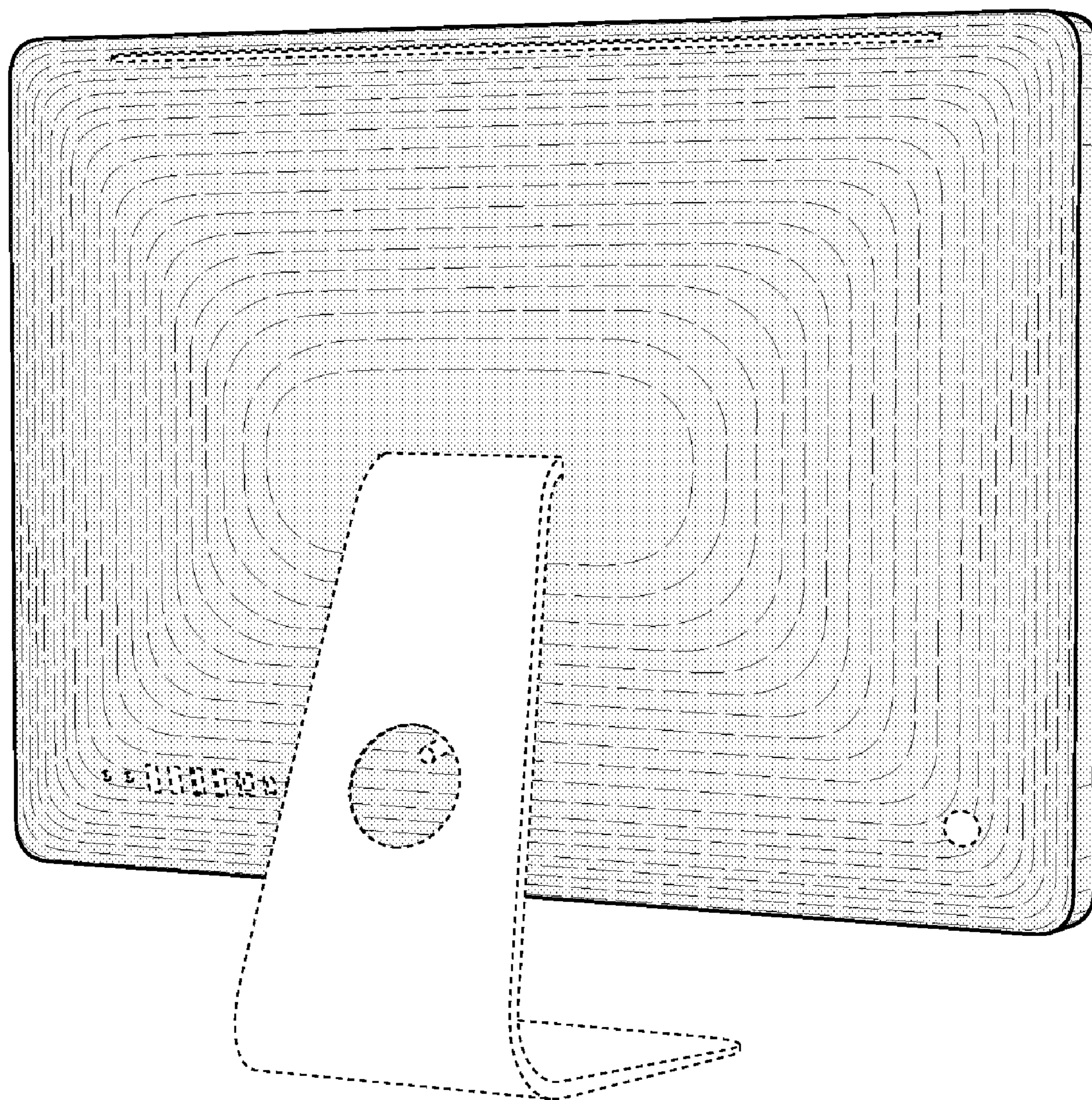
U.S. Appl. No. 29/345,525 entitled "Computer" filed Aug. 26, 2009.

U.S. Appl. No. 29/345,722 entitled "Computer" filed Oct. 21, 2009.

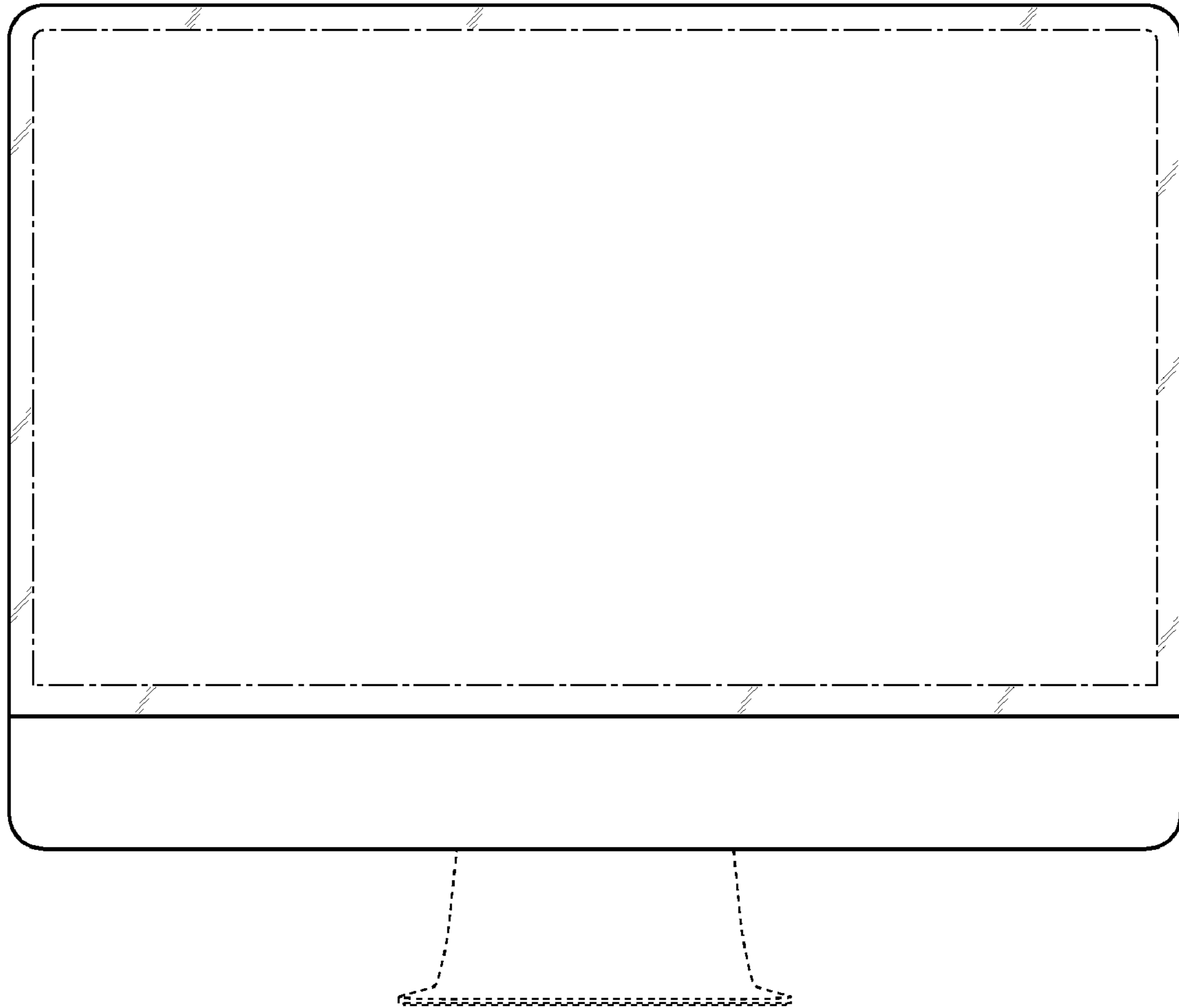
\* cited by examiner



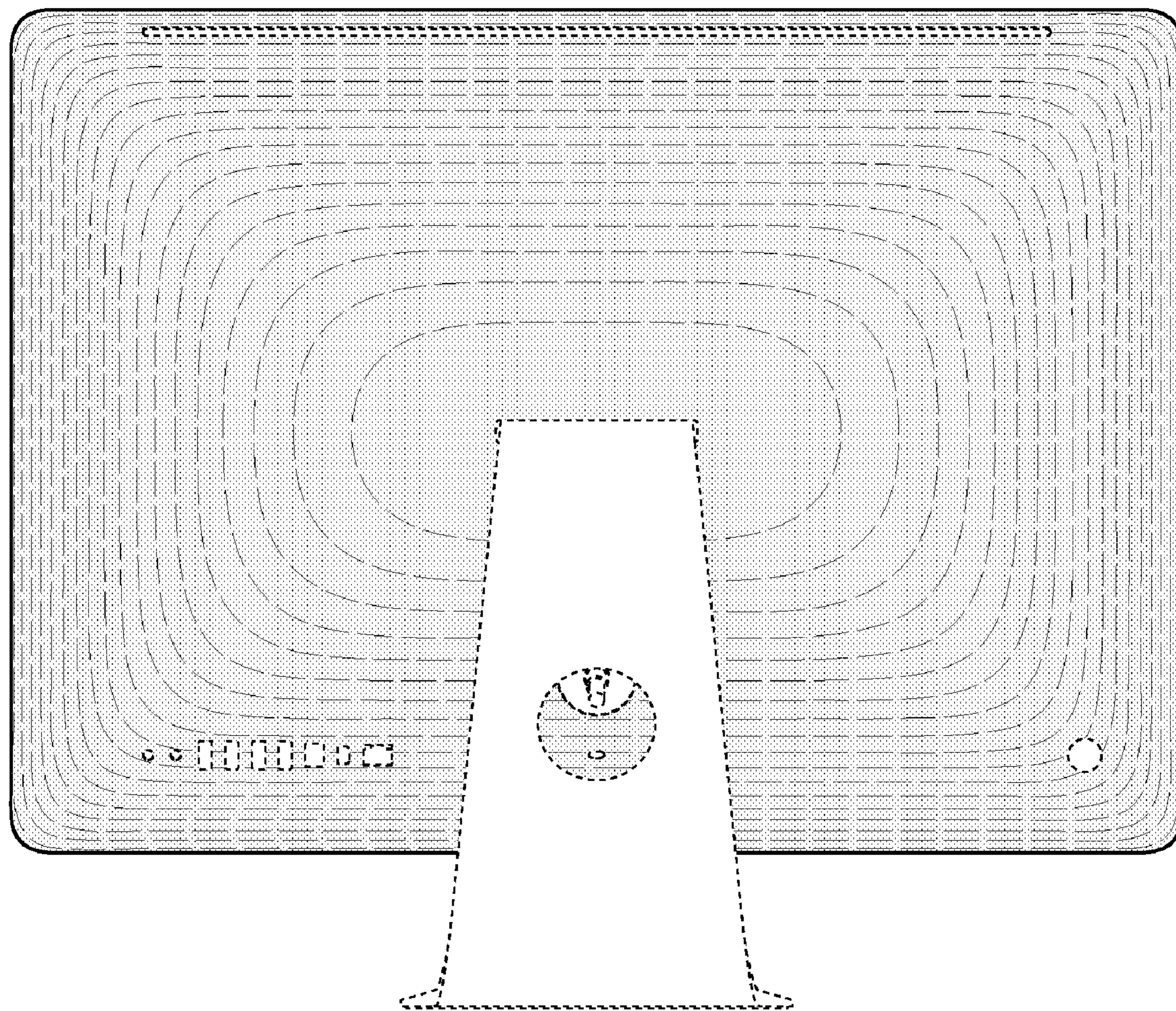
***Fig. 1***



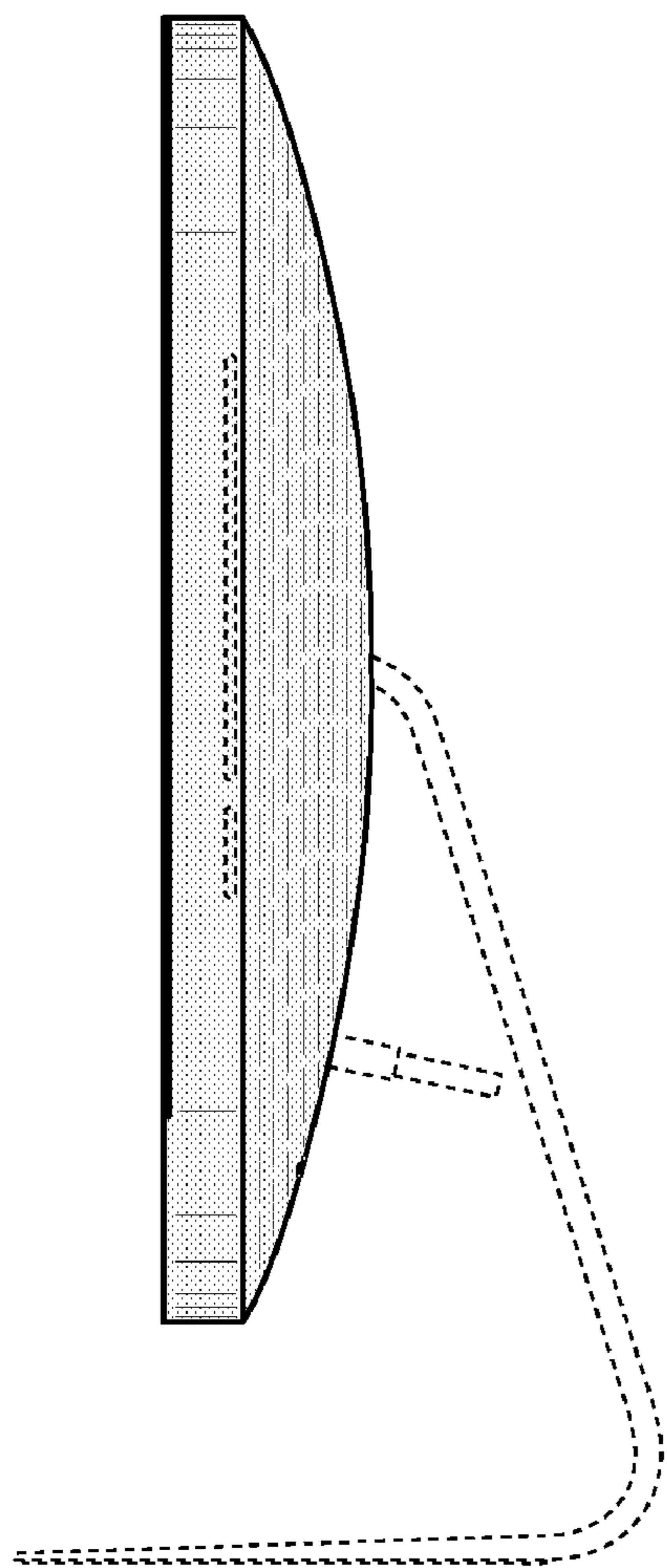
**Fig. 2**



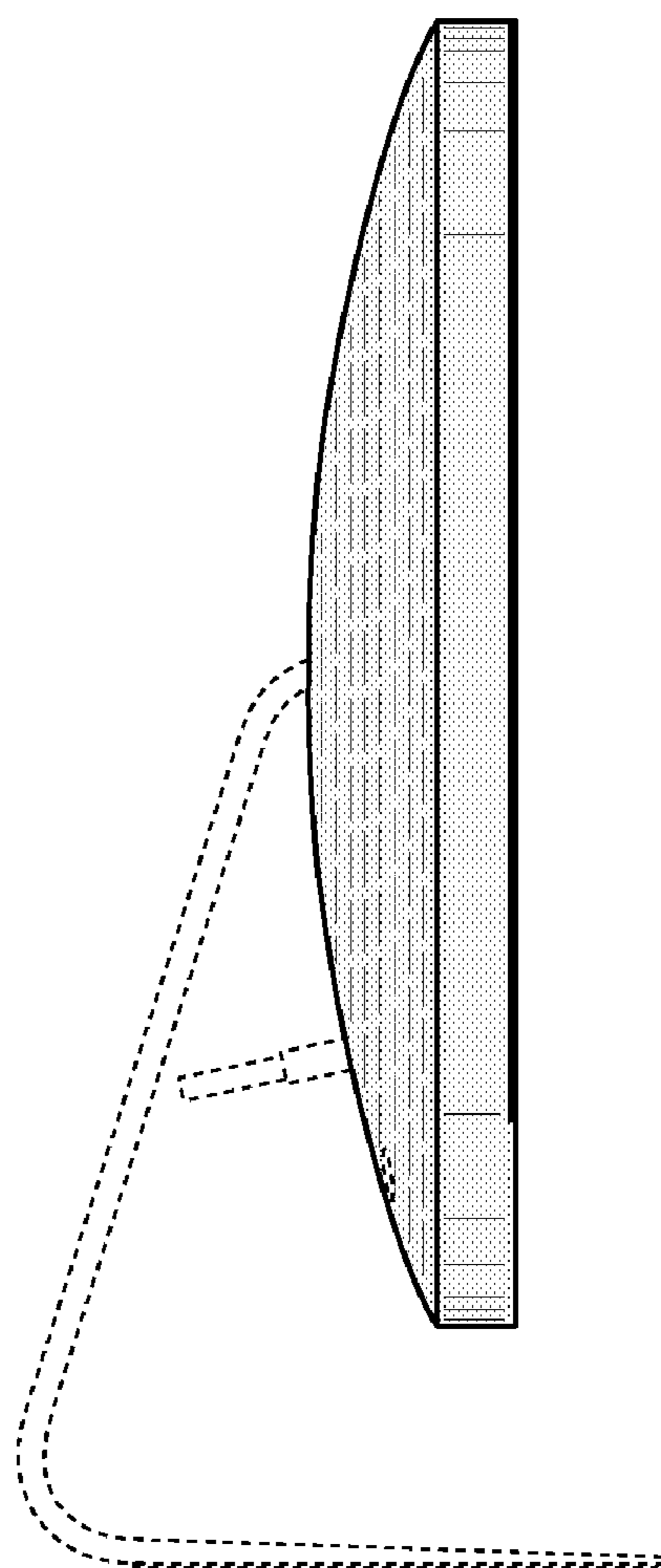
**Fig. 3**



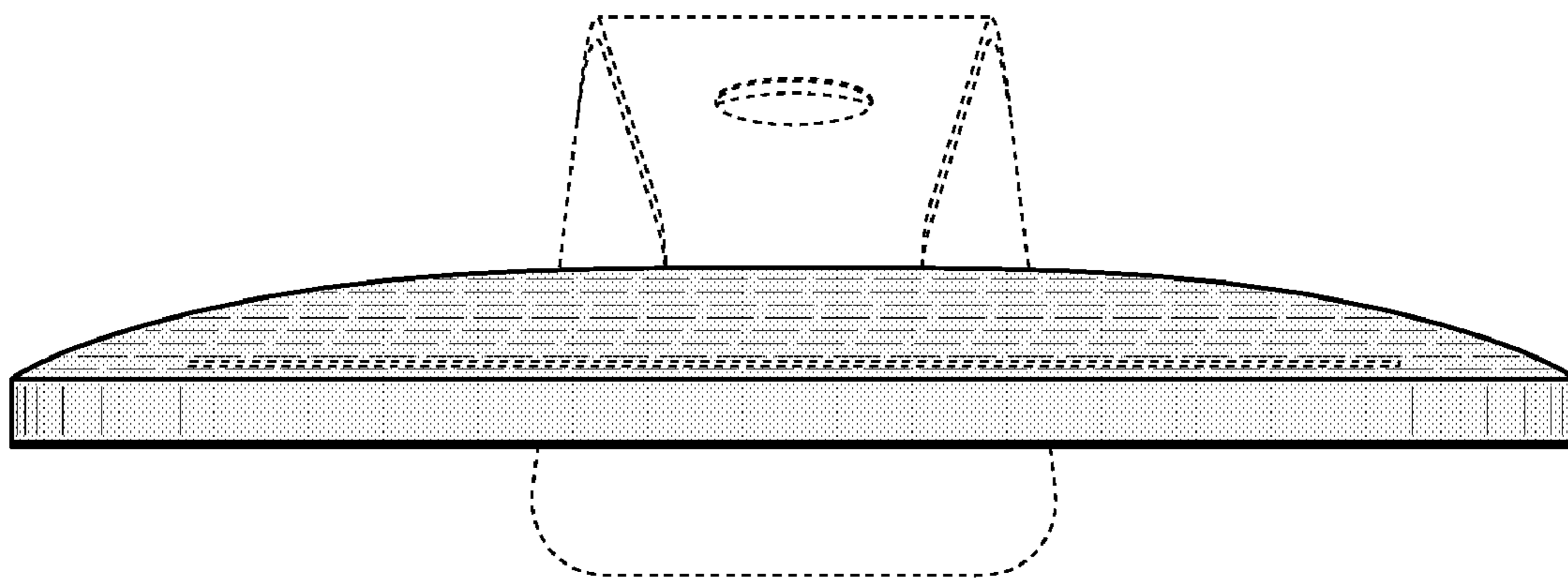
**Fig. 4**



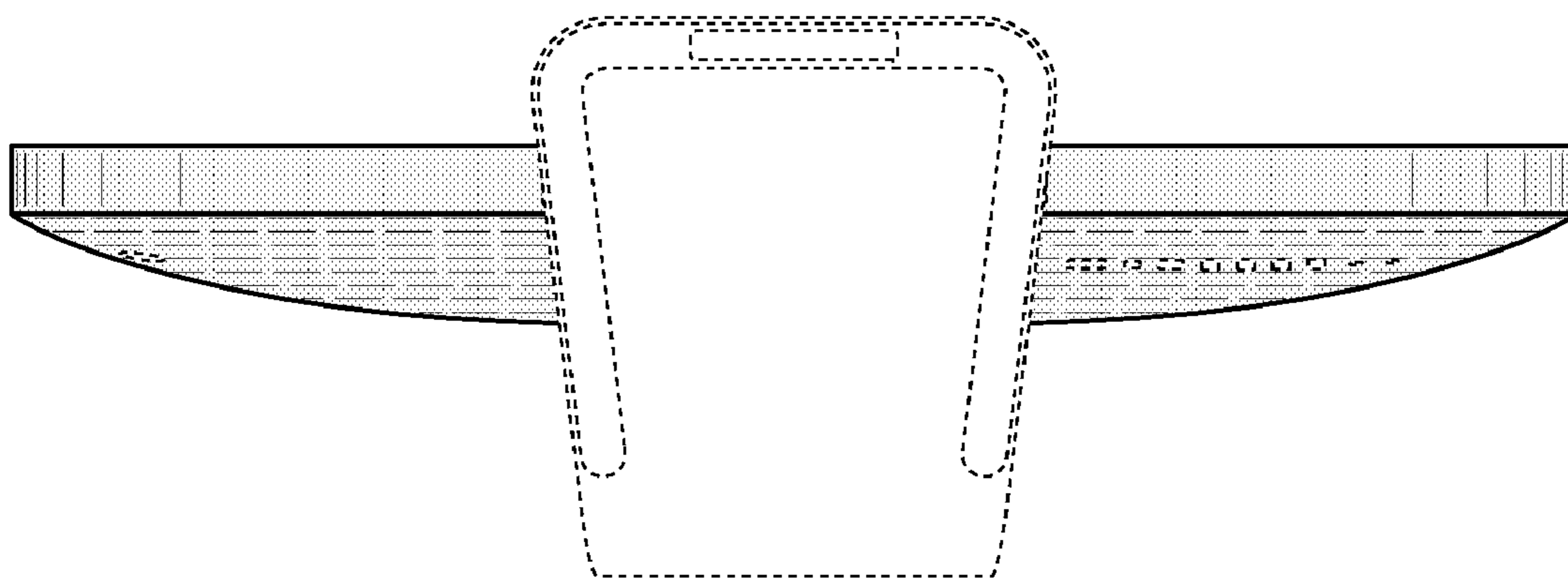
**Fig. 5**



**Fig. 6**

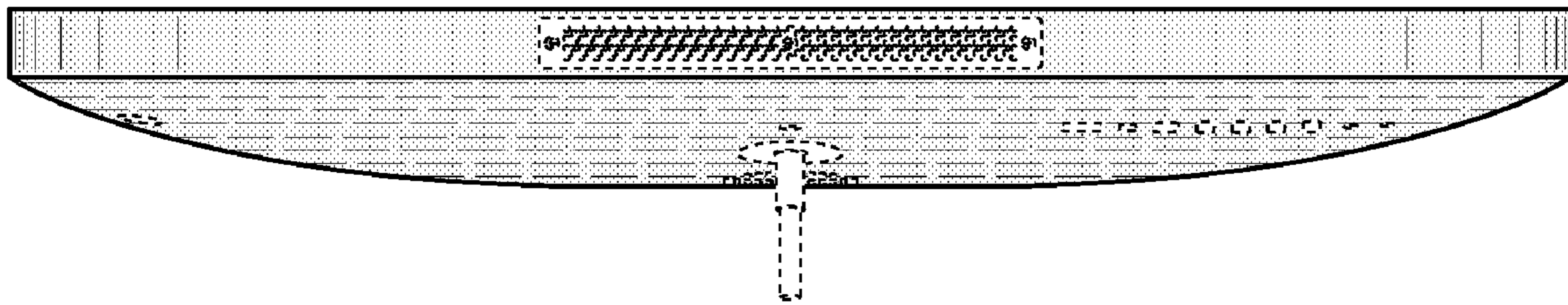


**Fig. 7**

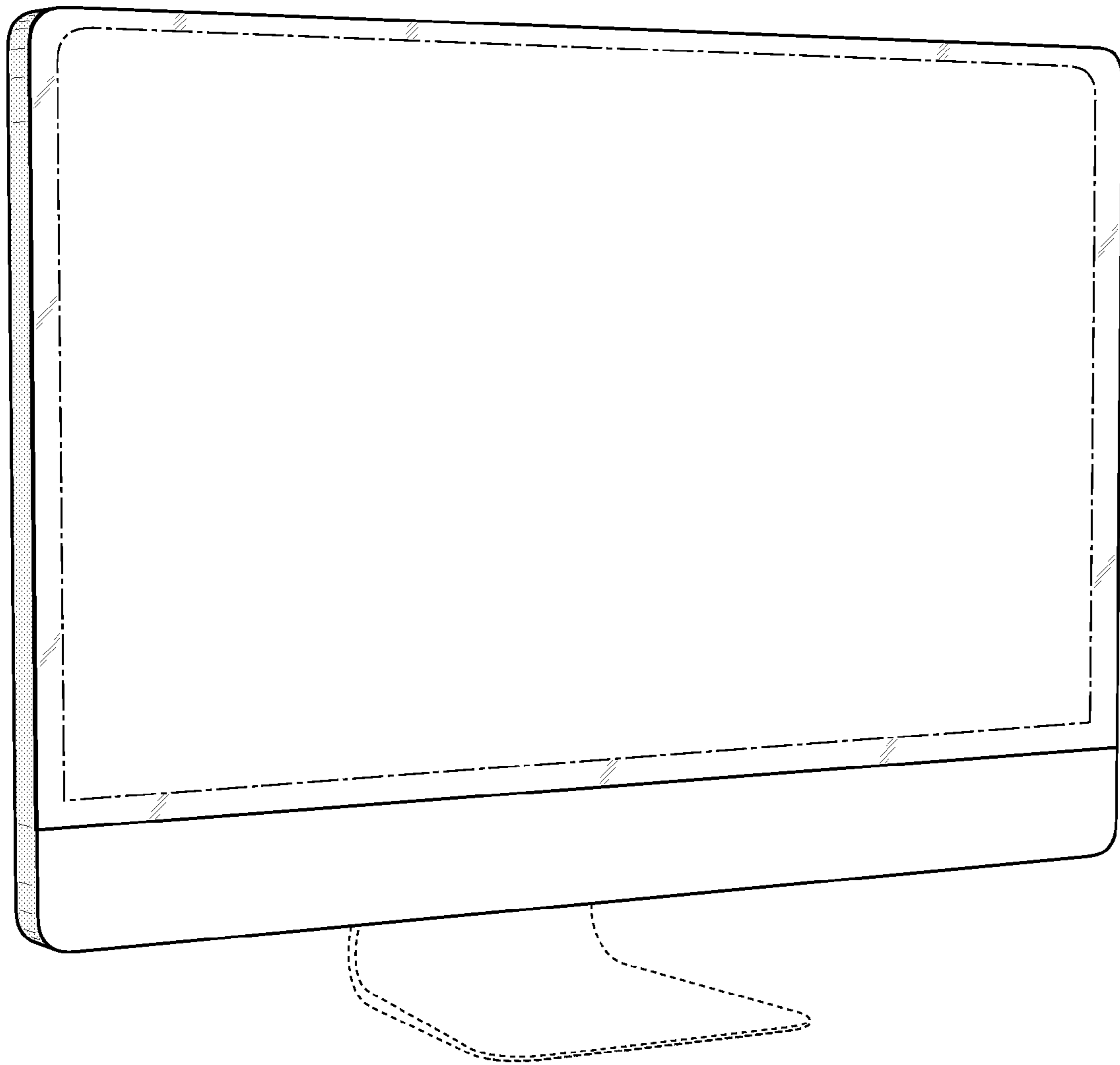


**Fig. 8**

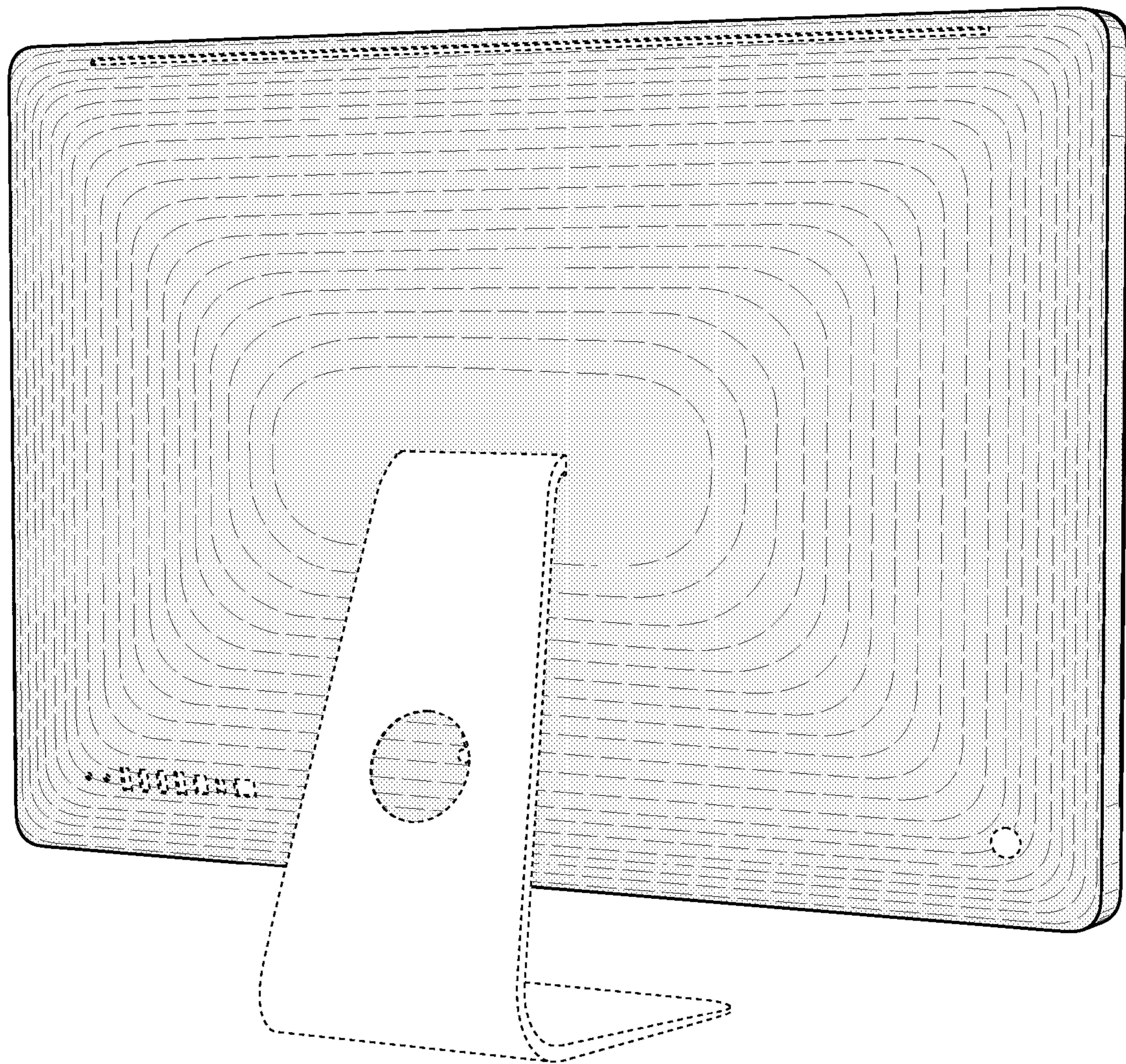




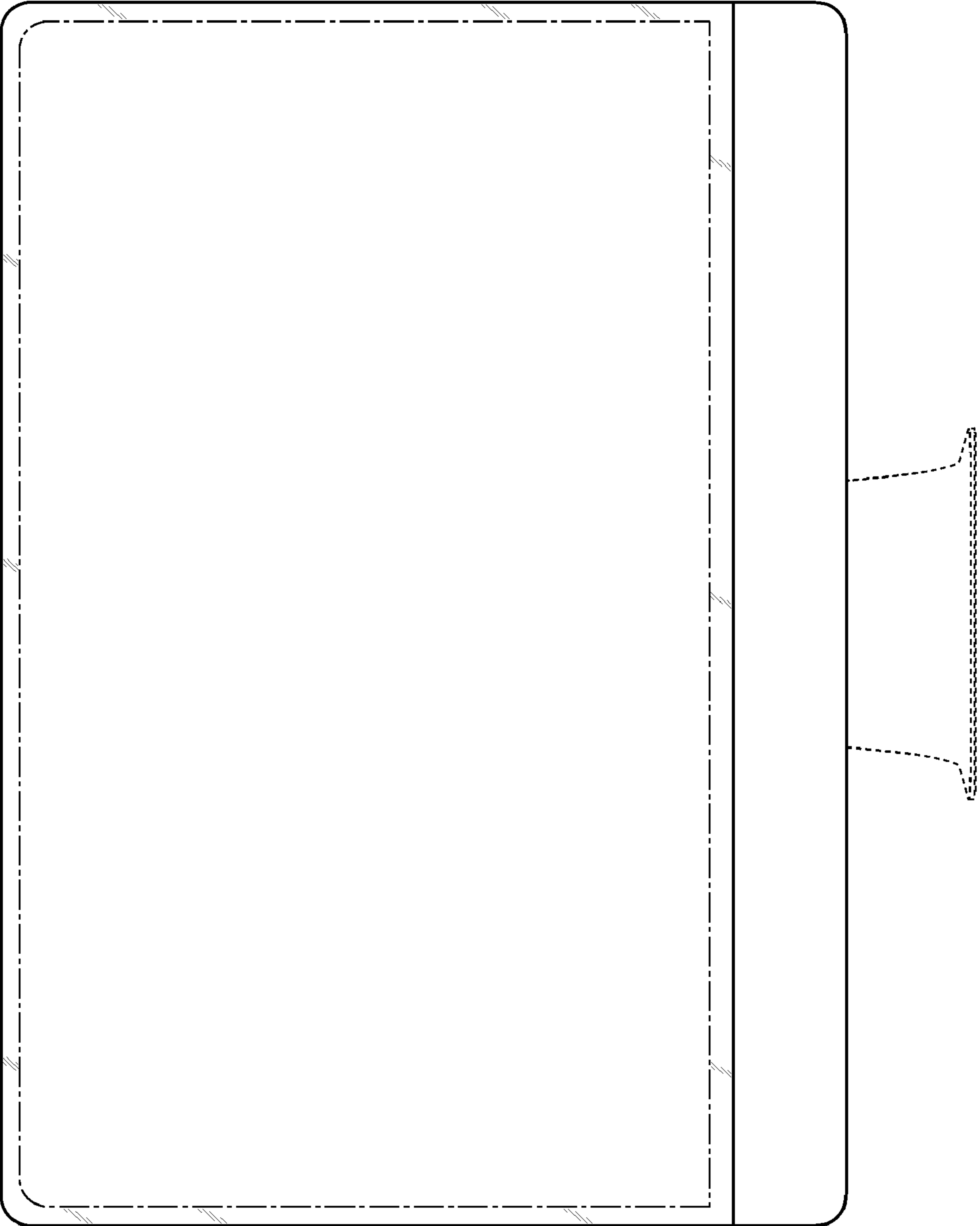
***Fig. 9***



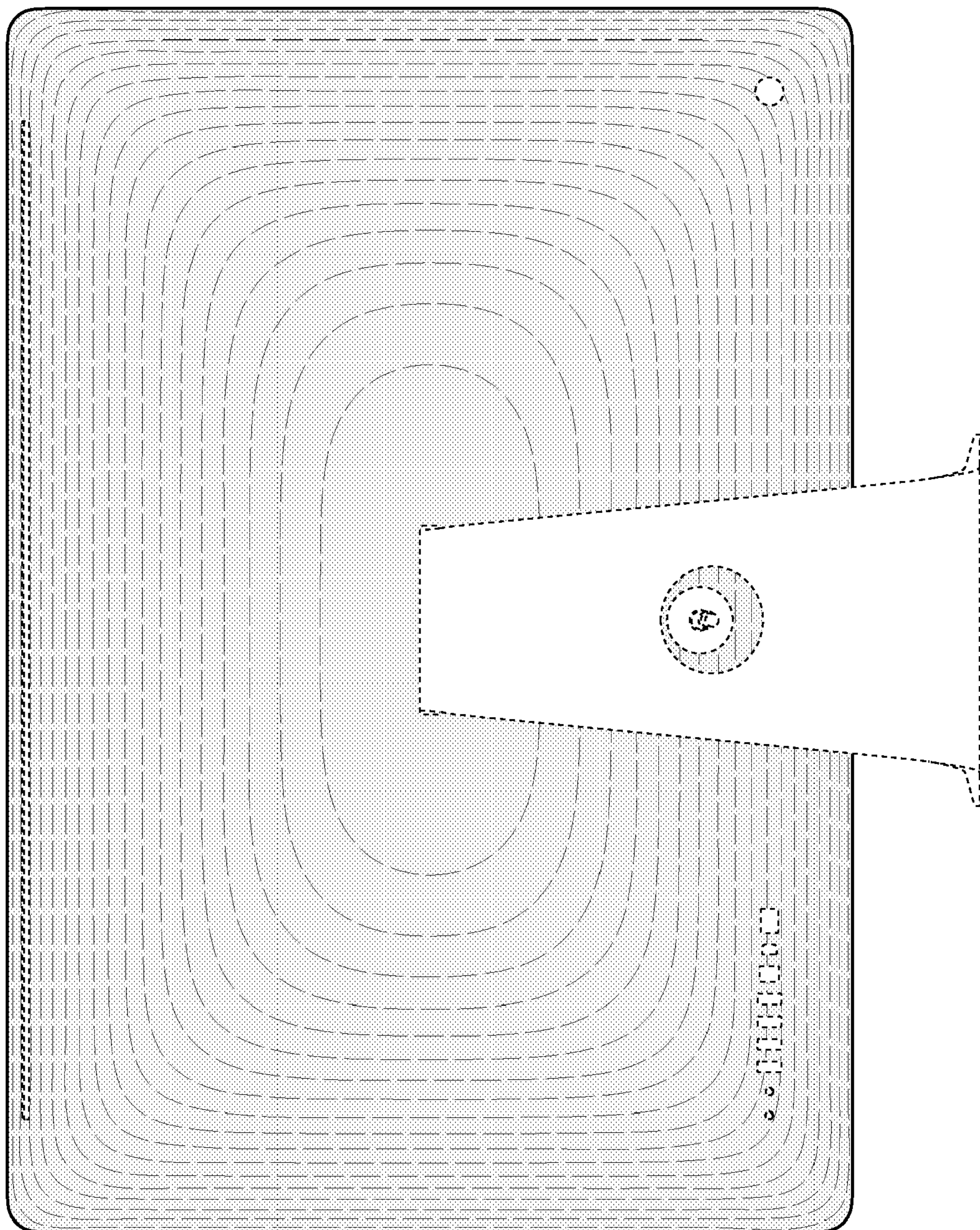
**Fig. 10**



**Fig. 11**



**Fig. 12**



**Fig. 13**

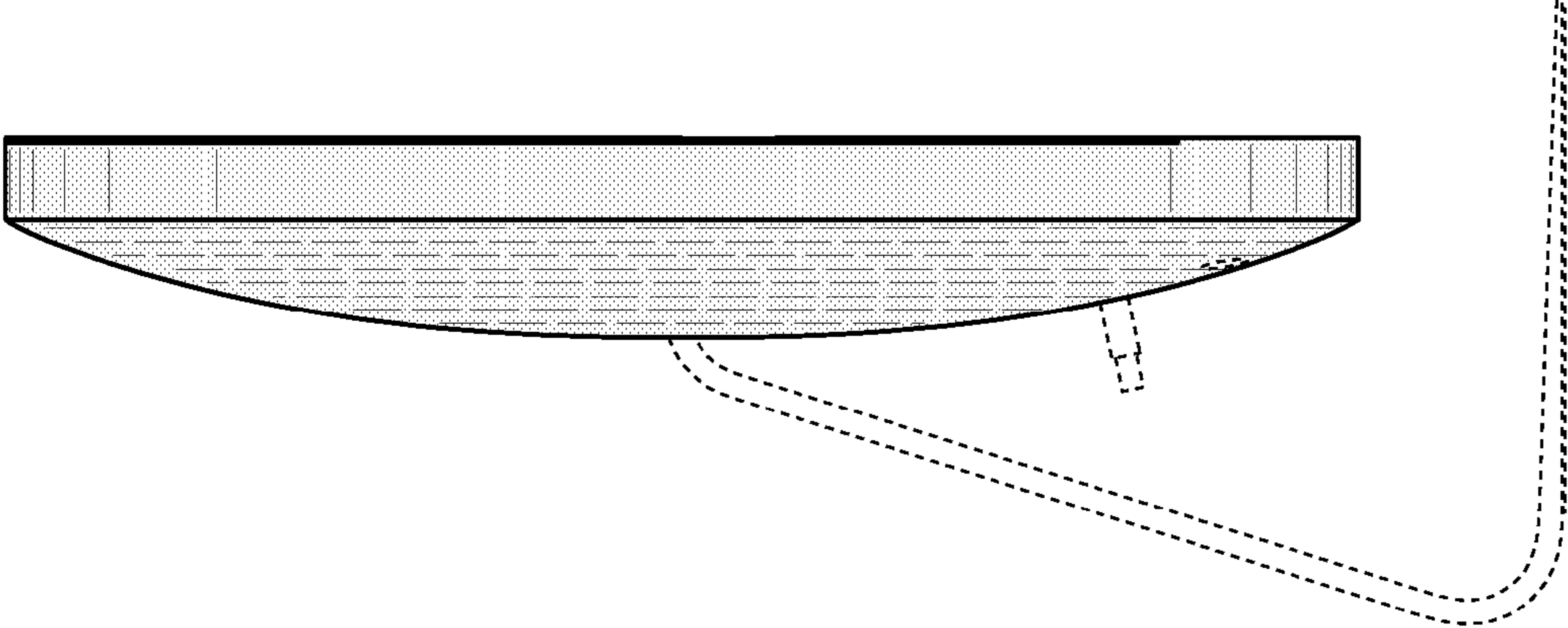


Fig. 15

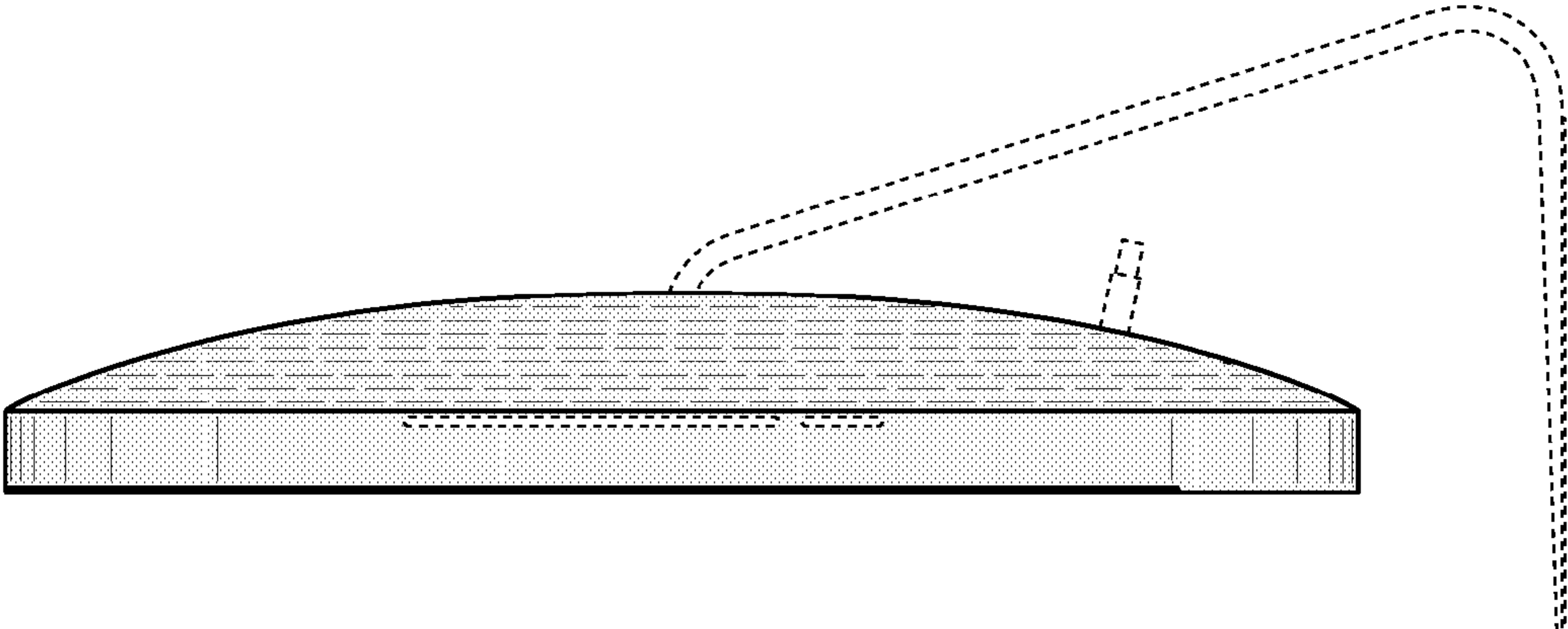
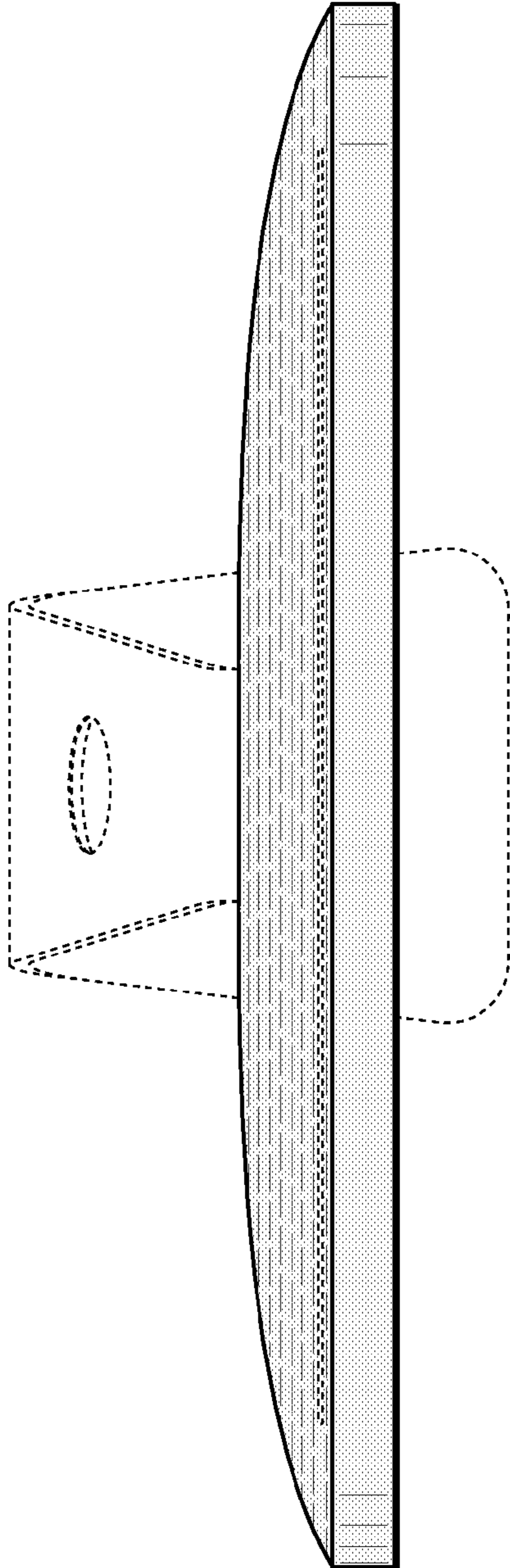
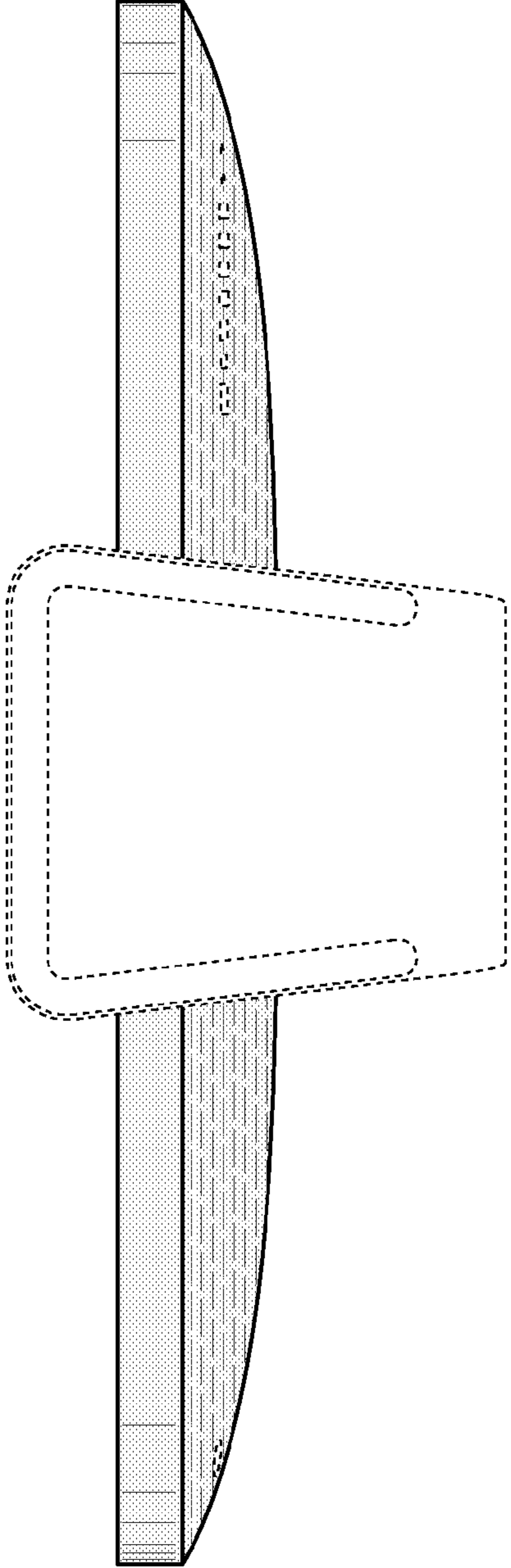


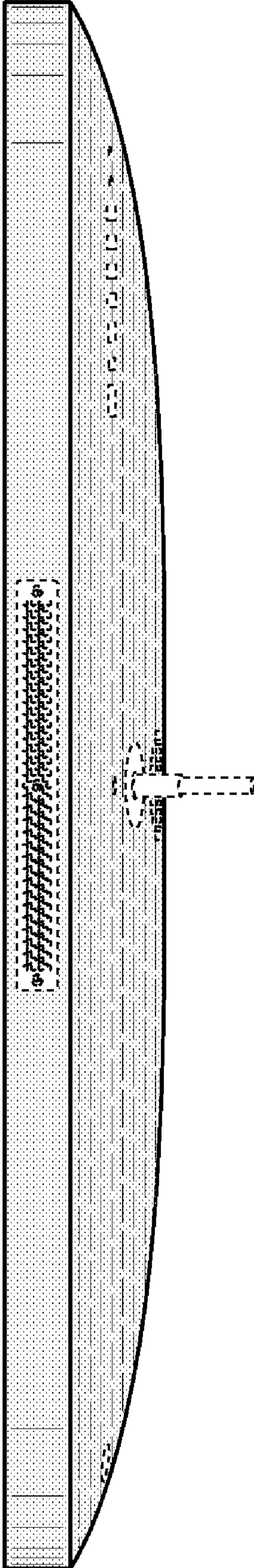
Fig. 14



**Fig. 16**



**Fig. 17**



**Fig. 18**