



US00D618233S

(12) **United States Design Patent**  
**Kuroda et al.**

(10) **Patent No.:** **US D618,233 S**  
(45) **Date of Patent:** **\*\* Jun. 22, 2010**

(54) **COMPUTER TERMINAL**

(75) Inventors: **Hiroyuki Kuroda**, Kahoku (JP); **Satoshi Kuroda**, Kahoku (JP)

(73) Assignee: **PFU Limited**, Ishikawa (JP)

(\*\*) Term: **14 Years**

(21) Appl. No.: **29/347,317**

(22) Filed: **Dec. 2, 2009**

(30) **Foreign Application Priority Data**

Jun. 9, 2009 (JP) ..... 2009-013023

(51) **LOC (9) Cl.** ..... **14-02**

(52) **U.S. Cl.** ..... **D14/314**

(58) **Field of Classification Search** ..... D14/130,  
D14/314, 320, 331, 334, 335, 496; 108/50.01;  
211/26; 312/223.3; 361/679.09, 679.21,  
361/726

See application file for complete search history.

(56) **References Cited**

**U.S. PATENT DOCUMENTS**

4,769,764 A \* 9/1988 Levanon ..... 361/679.09  
D306,433 S \* 3/1990 Mitchell ..... D14/320  
D324,855 S \* 3/1992 Iino ..... D14/331  
6,201,690 B1 \* 3/2001 Moore et al. .... 361/679.21  
6,827,409 B2 \* 12/2004 Michael ..... 312/223.3

6,945,412 B2 \* 9/2005 Felcman et al. .... 211/26  
D555,667 S \* 11/2007 Hussaini et al. .... D14/496  
7,414,853 B2 \* 8/2008 Lee ..... 361/726  
2003/0110989 A1 \* 6/2003 Chuang ..... 108/50.01

\* cited by examiner

*Primary Examiner*—Freda S Nunn

(74) *Attorney, Agent, or Firm*—Staas & Halsey LLP

(57) **CLAIM**

The ornamental design for a computer terminal, as shown and described.

**DESCRIPTION**

FIG. 1 is a front perspective view of a computer terminal showing our new design;

FIG. 2 is a front view thereof;

FIG. 3 is a rear view thereof;

FIG. 4 is a left side elevational view thereof;

FIG. 5 is a right side elevational view thereof;

FIG. 6 is a top plan view thereof;

FIG. 7 is a bottom plan view thereof; and,

FIG. 8 is a front perspective view of FIG. 1 showing the display in upright position.

The broken lines showing in the drawings are for illustrative purposes only and form no part of the claimed design.

**1 Claim, 4 Drawing Sheets**

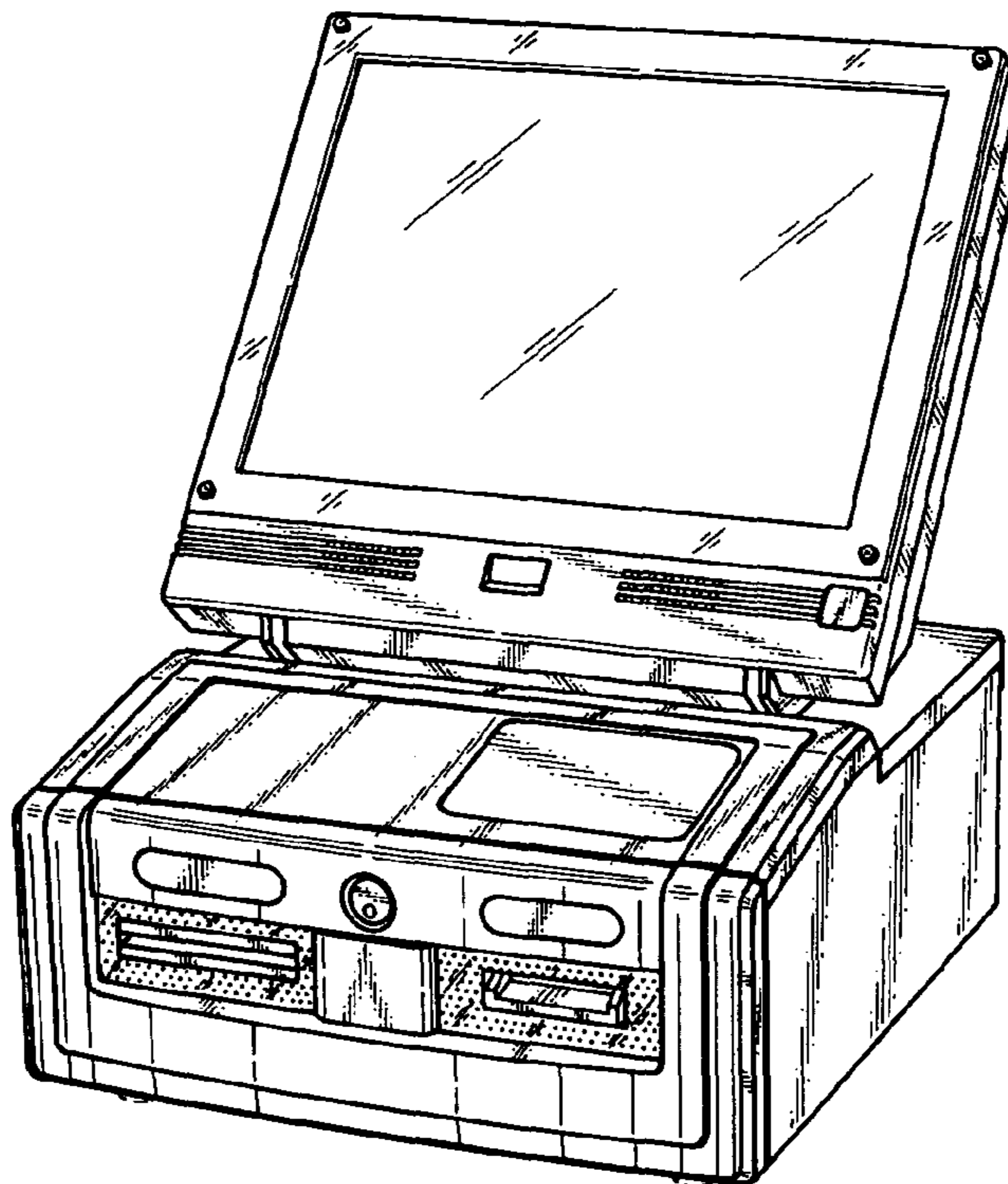


Fig.1

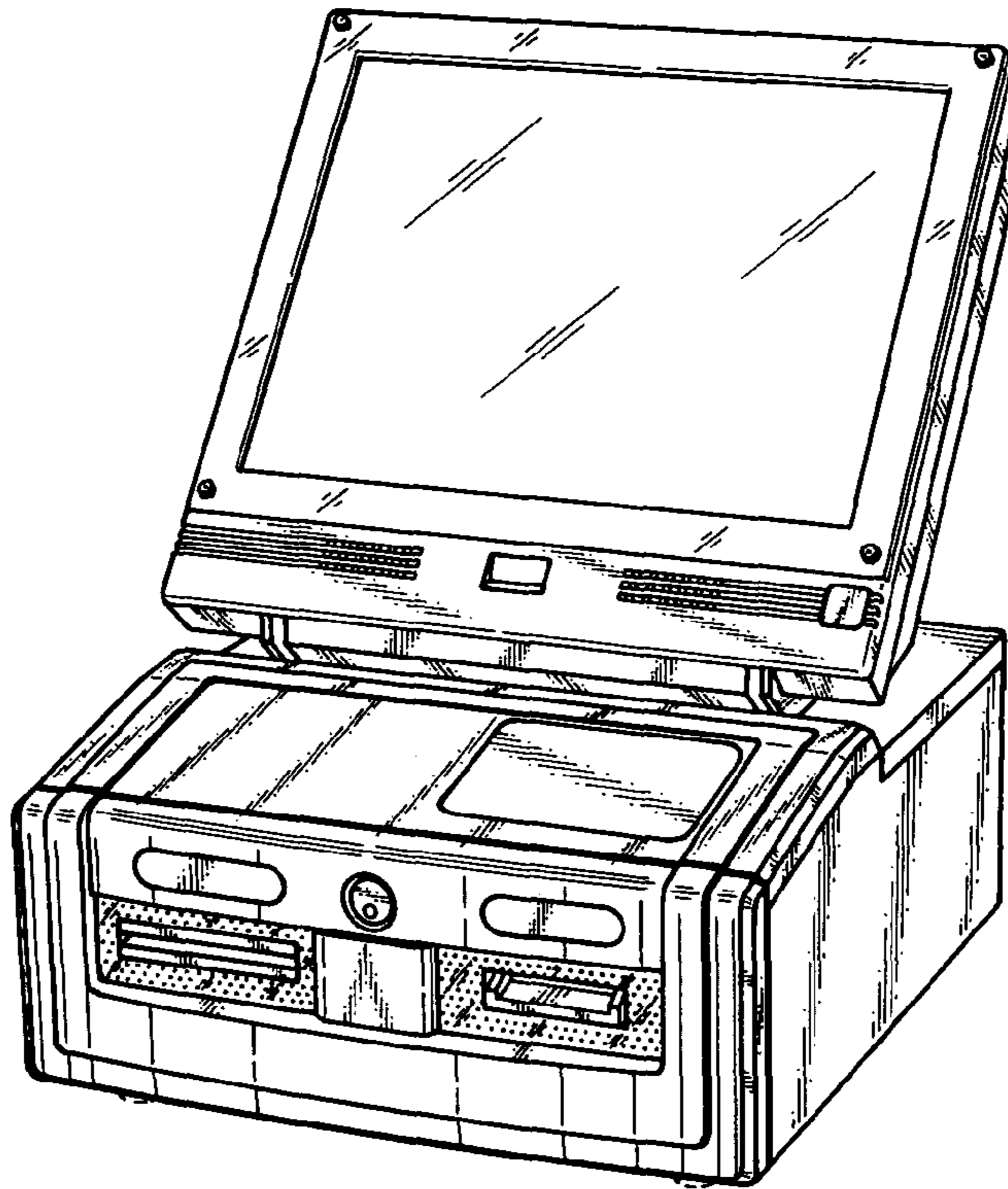


Fig.2

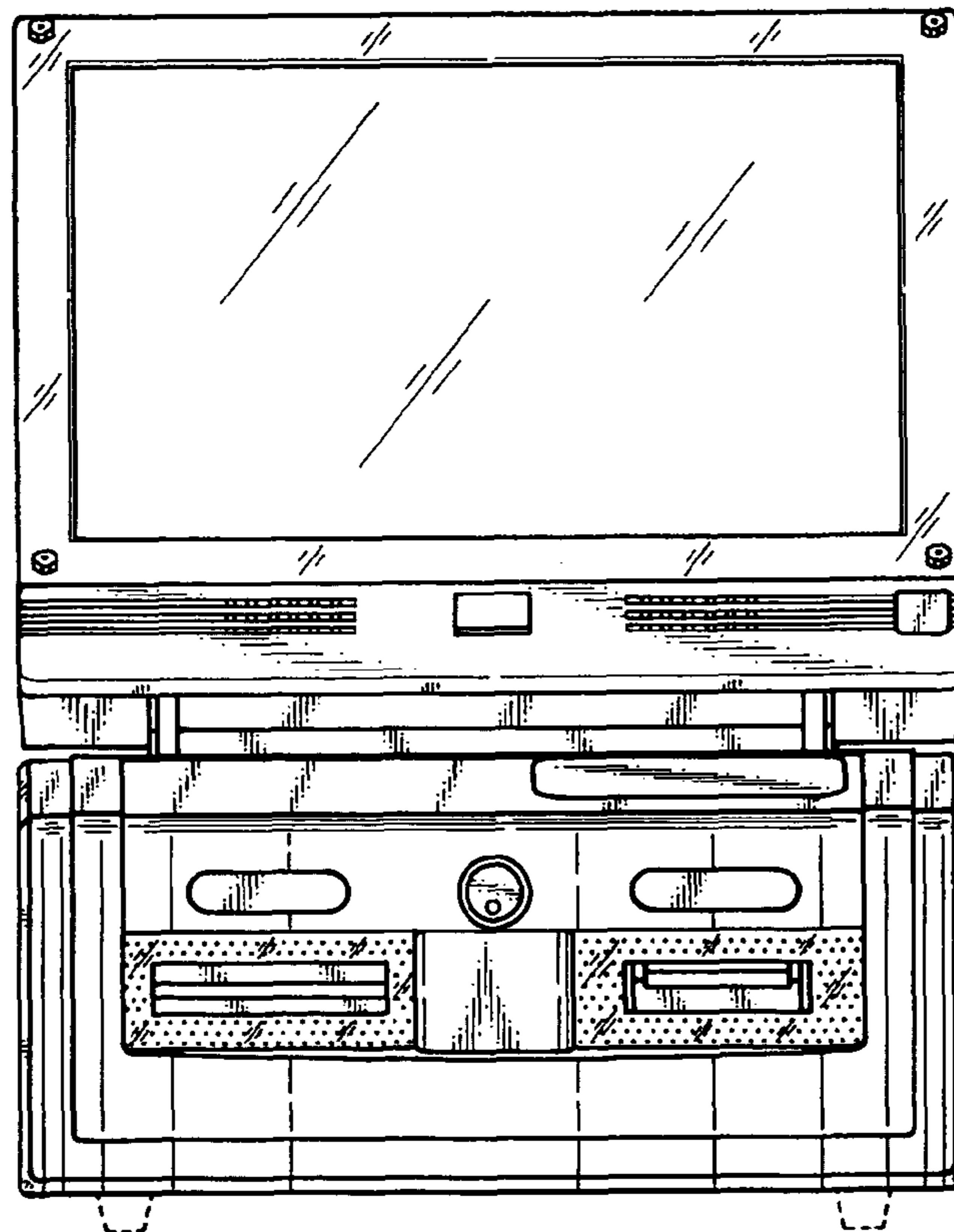


Fig.3

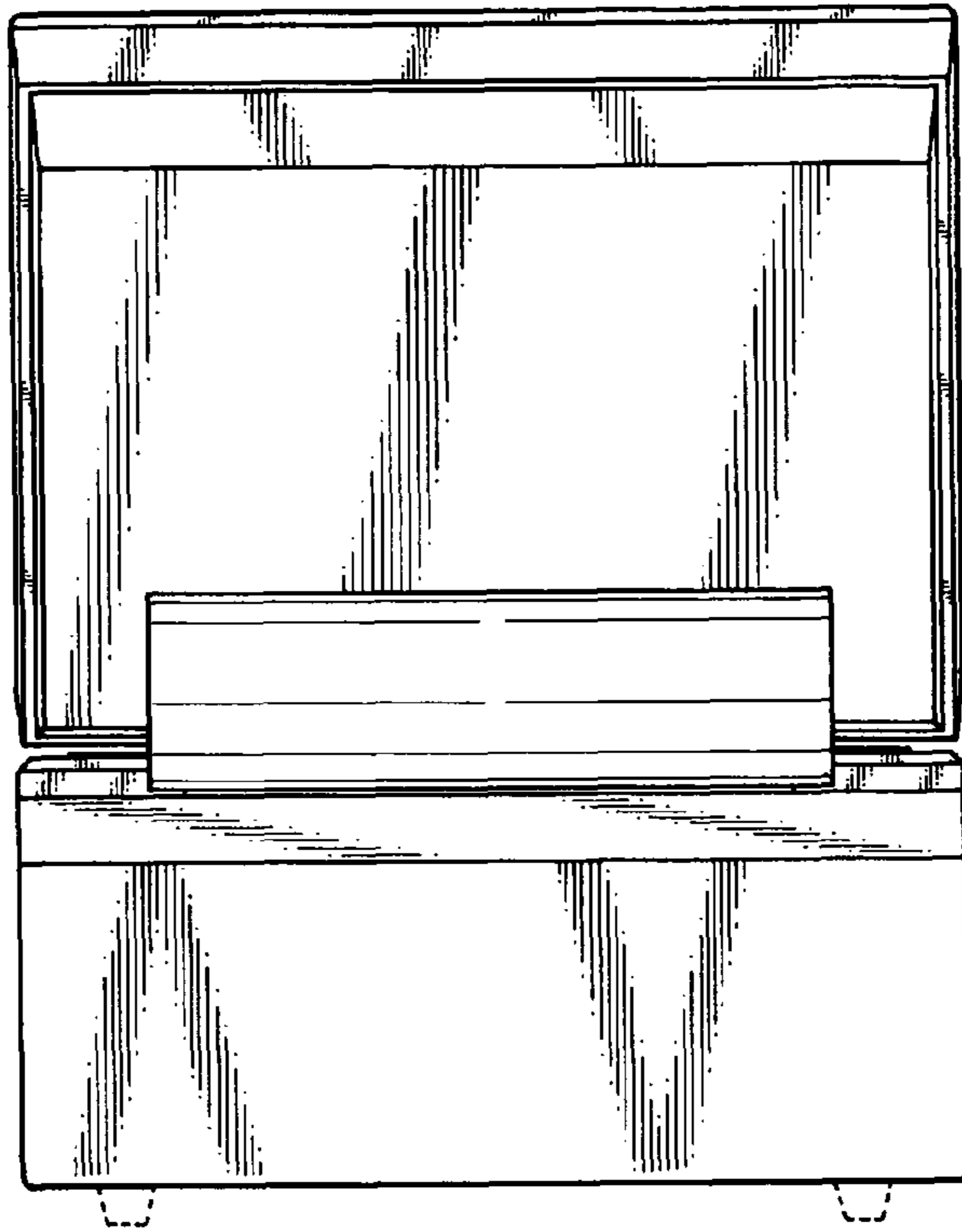


Fig.4

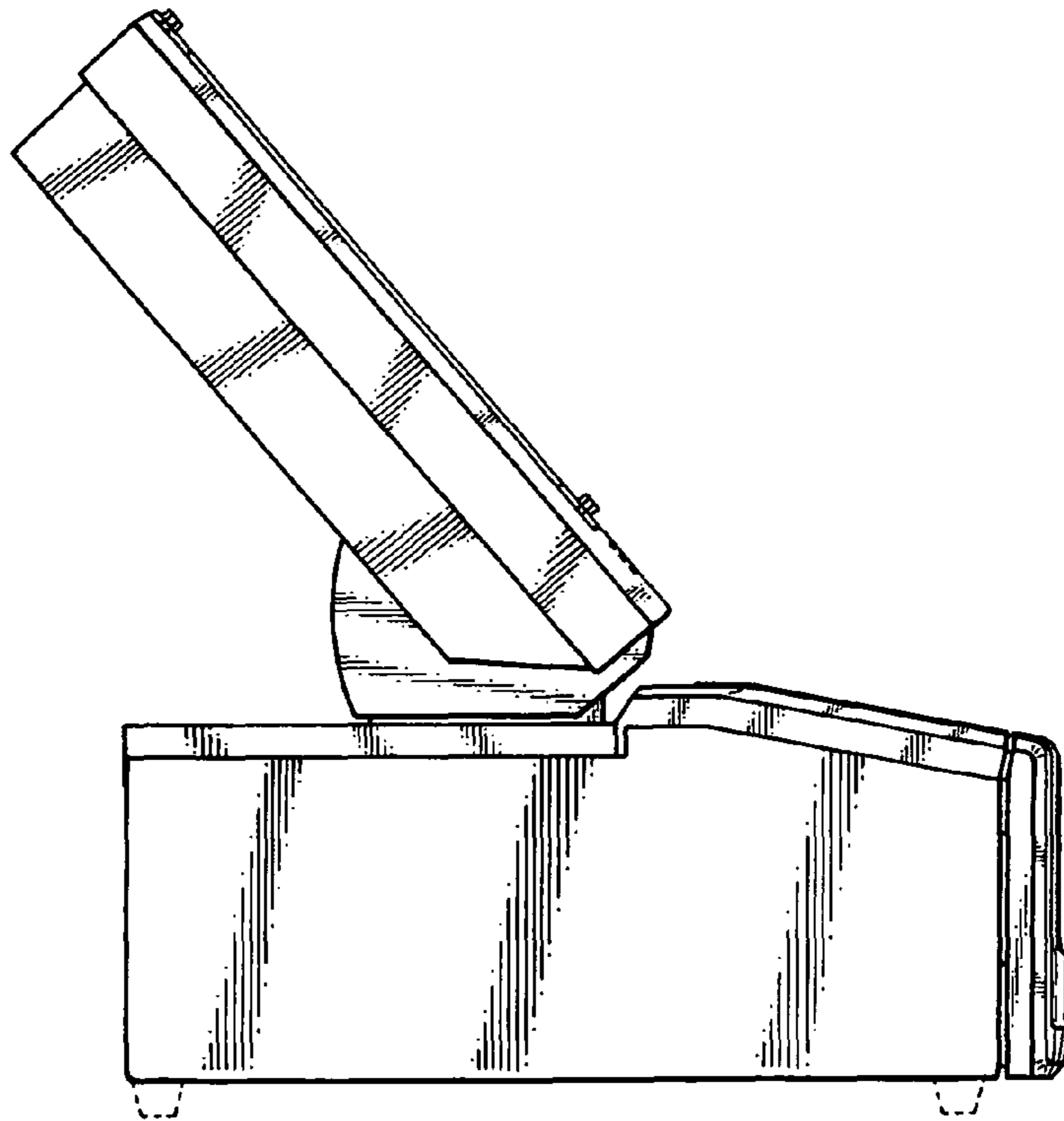


Fig.5

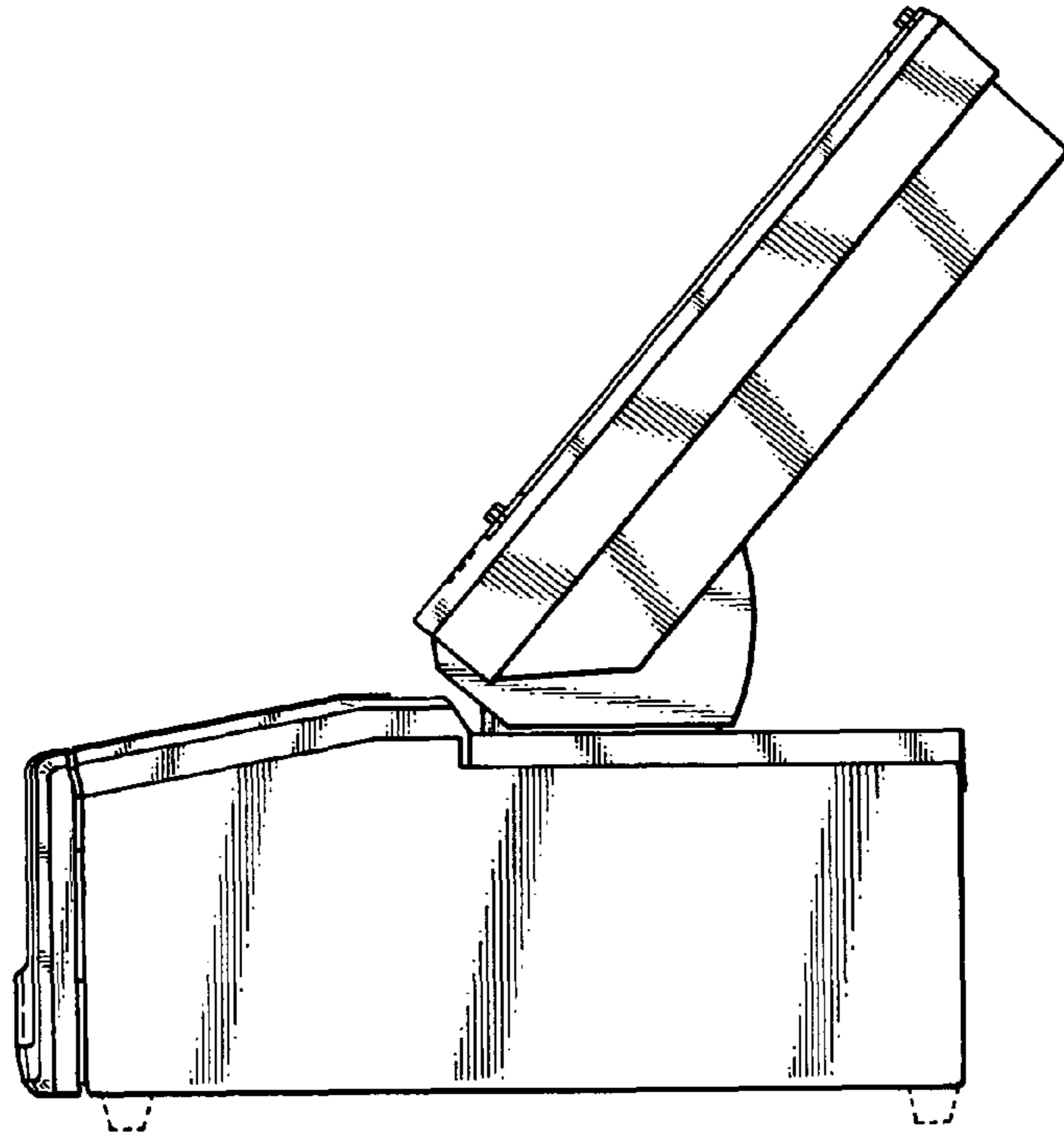


Fig.6

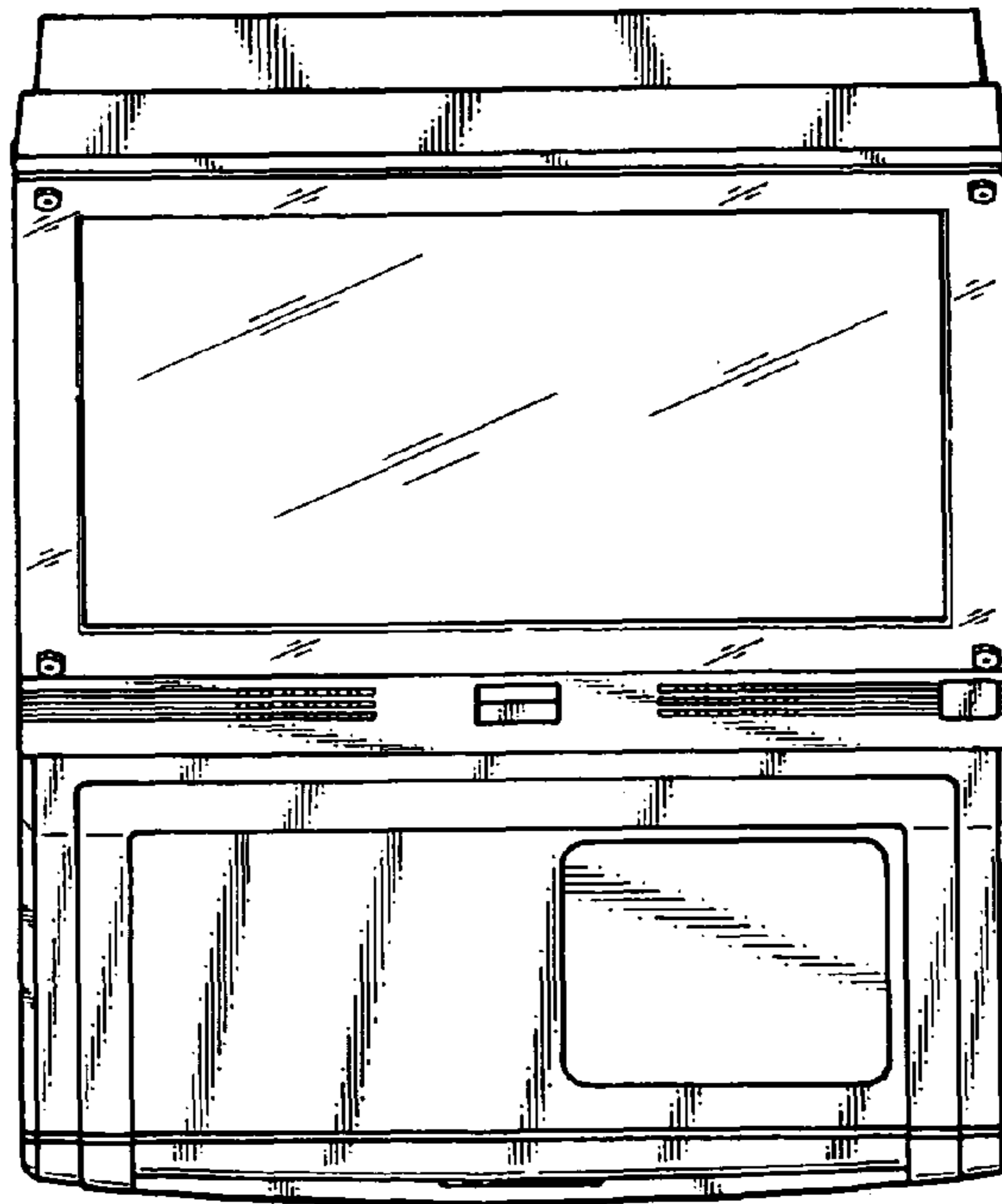


Fig.7

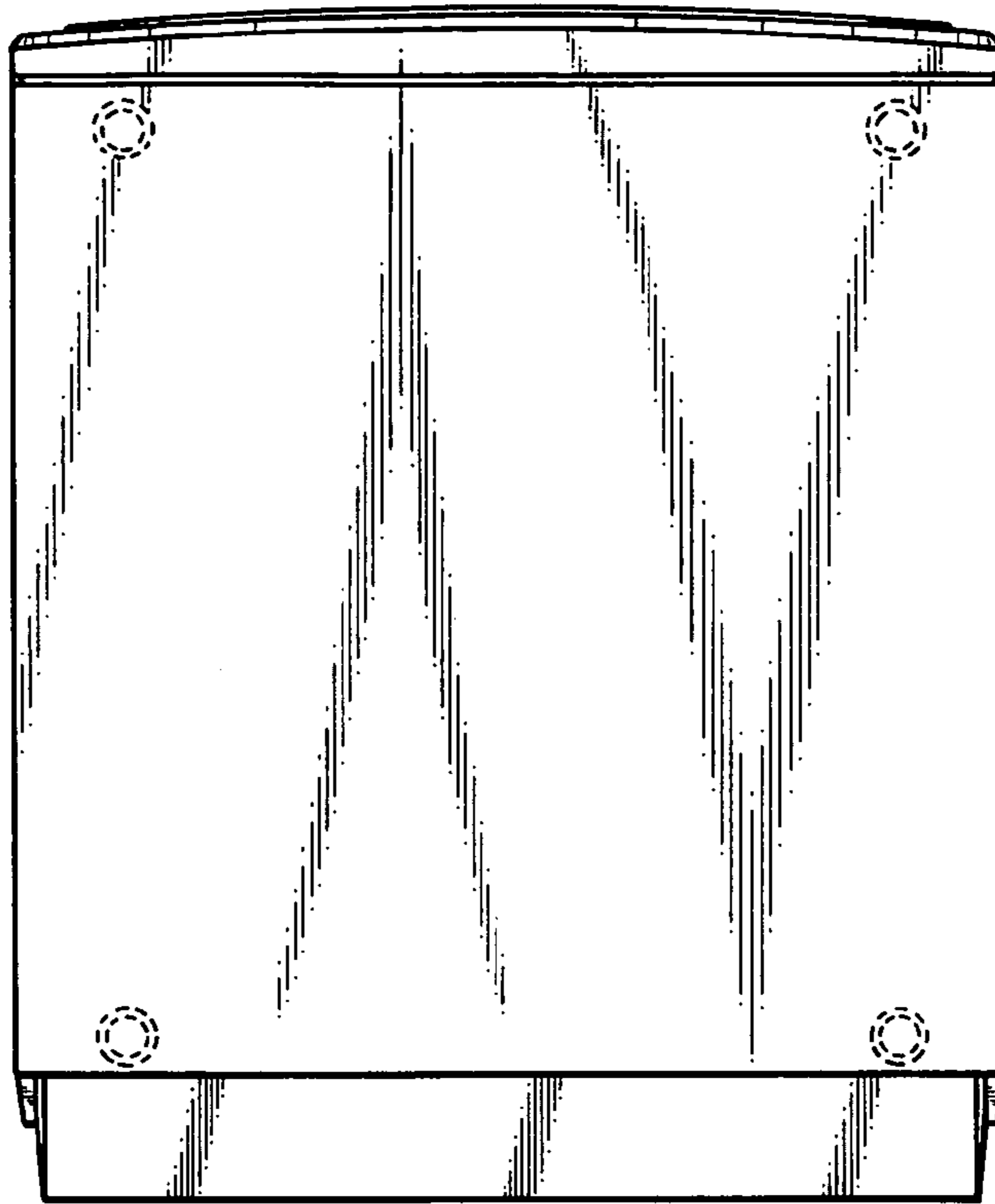


Fig.8

