

US00D618232S

(12) **United States Design Patent**
O’Neil et al.

(10) **Patent No.:** **US D618,232 S**
(45) **Date of Patent:** **** Jun. 22, 2010**

(54) **INFORMATION HANDLING SYSTEM**

(75) Inventors: **Daniel O’Neil**, Austin, TX (US); **Brian Hargrove Leonard**, Austin, TX (US)

(73) Assignee: **Dell Products L.P.**, Round Rock, TX (US)

(**) Term: **14 Years**

(21) Appl. No.: **29/346,982**

(22) Filed: **Nov. 10, 2009**

(51) **LOC (9) Cl.** **14-02**

(52) **U.S. Cl.** **D14/314**

(58) **Field of Classification Search** D14/300,
D14/308, 314, 348, 363–369, 353–356; D13/162,
D13/184, 199; 312/223.1–223.3; 360/99.01–99.12;
361/679.01, 679.02, 679.22, 679.31–679.33;
369/34.01, 36.01

See application file for complete search history.

(56) **References Cited**

U.S. PATENT DOCUMENTS

D526,648 S *	8/2006	Andre et al.	D14/314
D537,817 S	3/2007	Andre et al.		
D596,626 S *	7/2009	Andre et al.	D14/240
D601,583 S *	10/2009	Andre et al.	D14/496
D601,585 S *	10/2009	Andre et al.	D14/496
D604,729 S *	11/2009	Andre et al.	D14/314

OTHER PUBLICATIONS

Apple TV Technical Specifications, <http://www.apple.com/appletv/specs.html>, 2 pages, printed Nov. 10, 2009.

Aopen Asia, http://asia.aopen.tw/products_detail.aspx?auno=2445, 4 pages, printed Nov. 10, 2009.

Aopen Fine Cube, <http://partner.aopen.com/enewspic/products/S120/>, 2 pages, printed Nov. 10, 2009.

Mstation.org, The Netbox Cubit—Angus Morrison talks to us . . . , <http://mstation.org/cubit.php>, 2 pages, printed Nov. 10, 2009.

Shuttle, XPC Barebone, SX58H7, <http://us.shuttle.com/barebone/Models/SX58H7.html>, 3 pages, printed Nov. 10, 2009.

Shuttle, X27D, <http://us.shuttle.com/barebone/Models/X27D.html>, 3 pages, printed Nov. 10, 2009.

* cited by examiner

Primary Examiner—Freda S Nunn

(74) *Attorney, Agent, or Firm*—Hamilton & Terrile, LLP; Stephen A. Terrile

(57) **CLAIM**

The ornamental design for an information handling system, as shown and described.

DESCRIPTION

FIG. 1 is a front perspective view of the information handling system comprising the present invention;

FIG. 2 is a front view thereof;

FIG. 3 is a left side view thereof;

FIG. 4 is a right side view thereof;

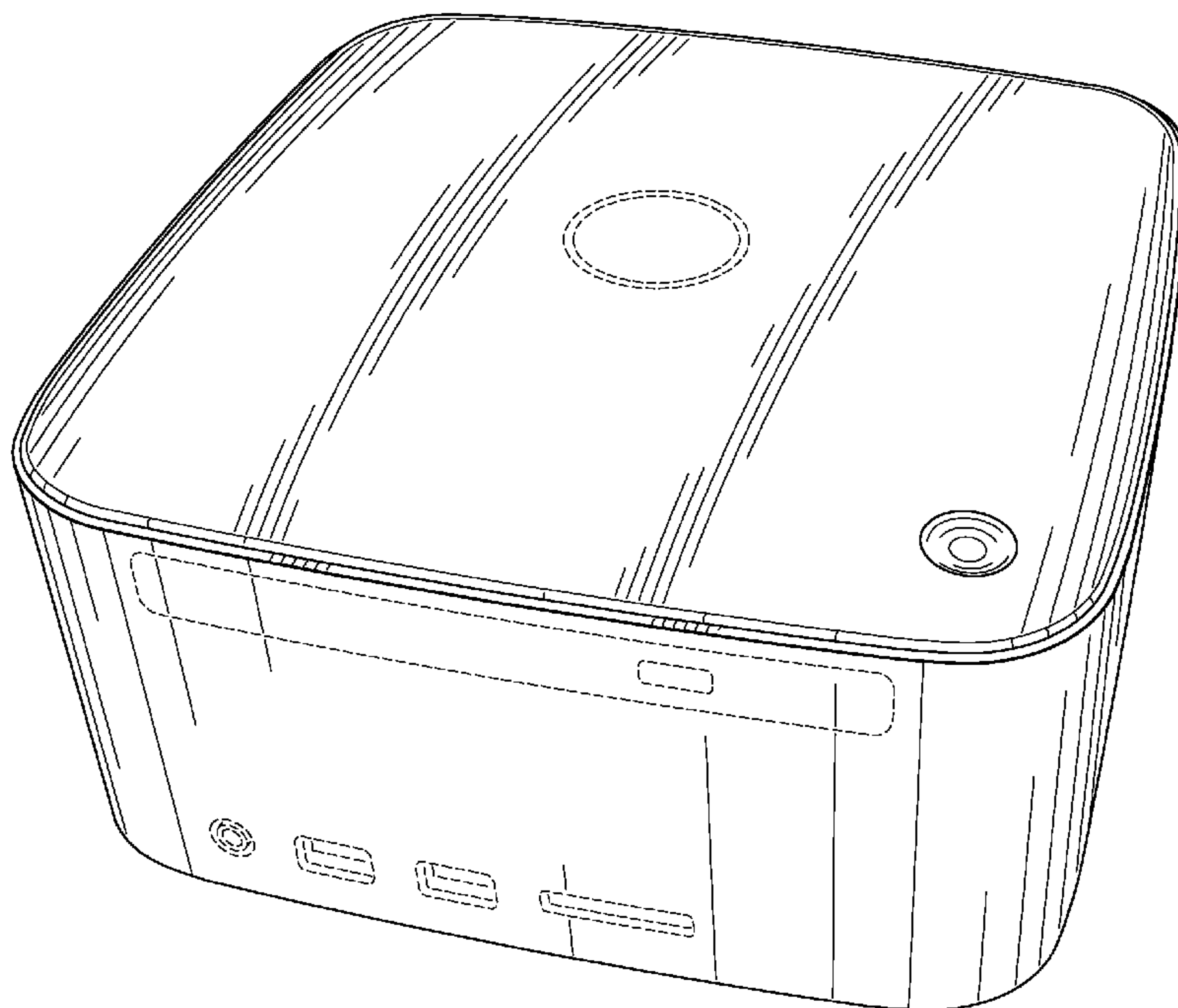
FIG. 5 is a rear view thereof;

FIG. 6 is a top view thereof; and,

FIG. 7 is a bottom view thereof.

Broken lines shown in the drawings illustrate portions of the information handling system, and form no part of the claimed design.

1 Claim, 5 Drawing Sheets



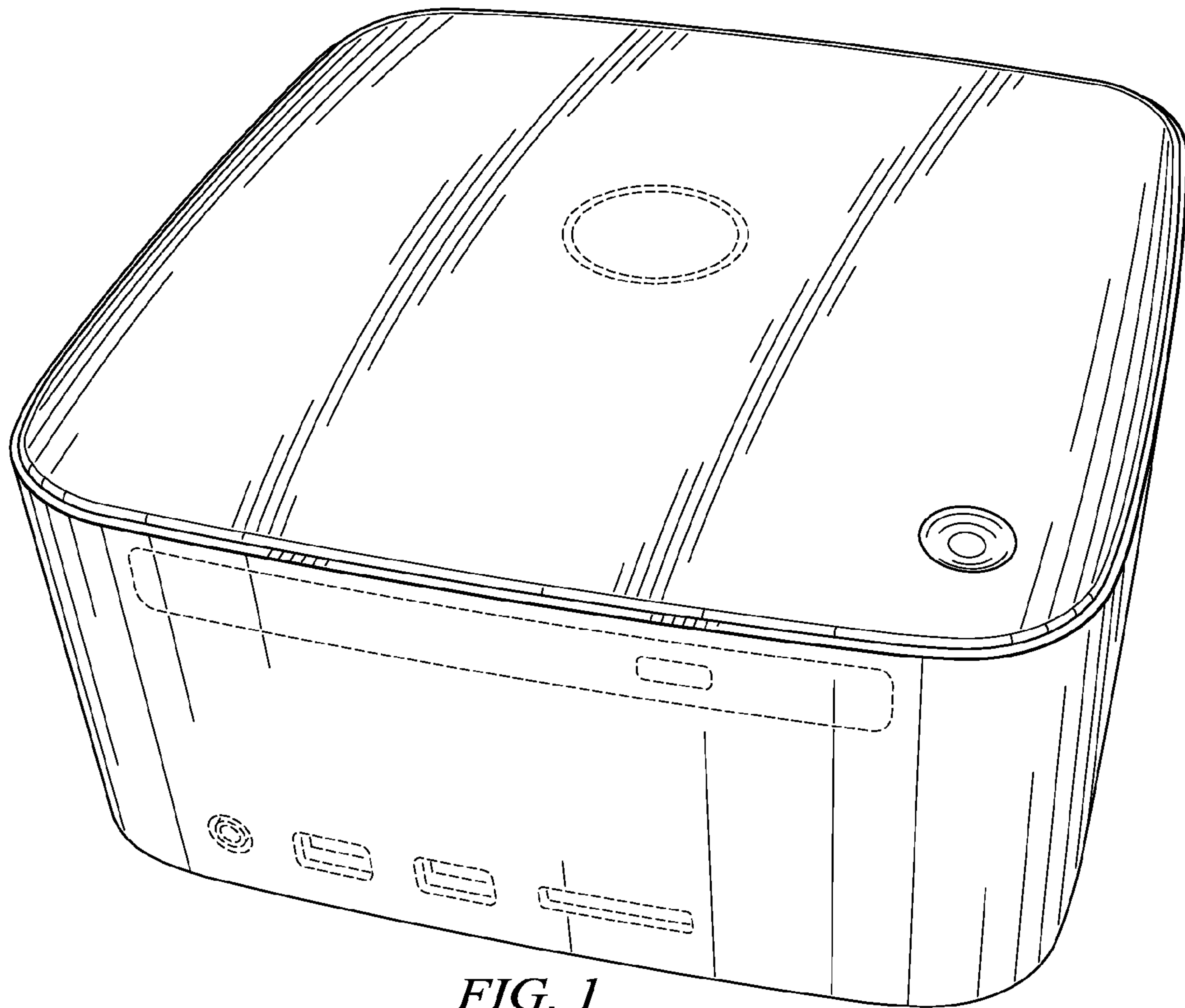


FIG. 1

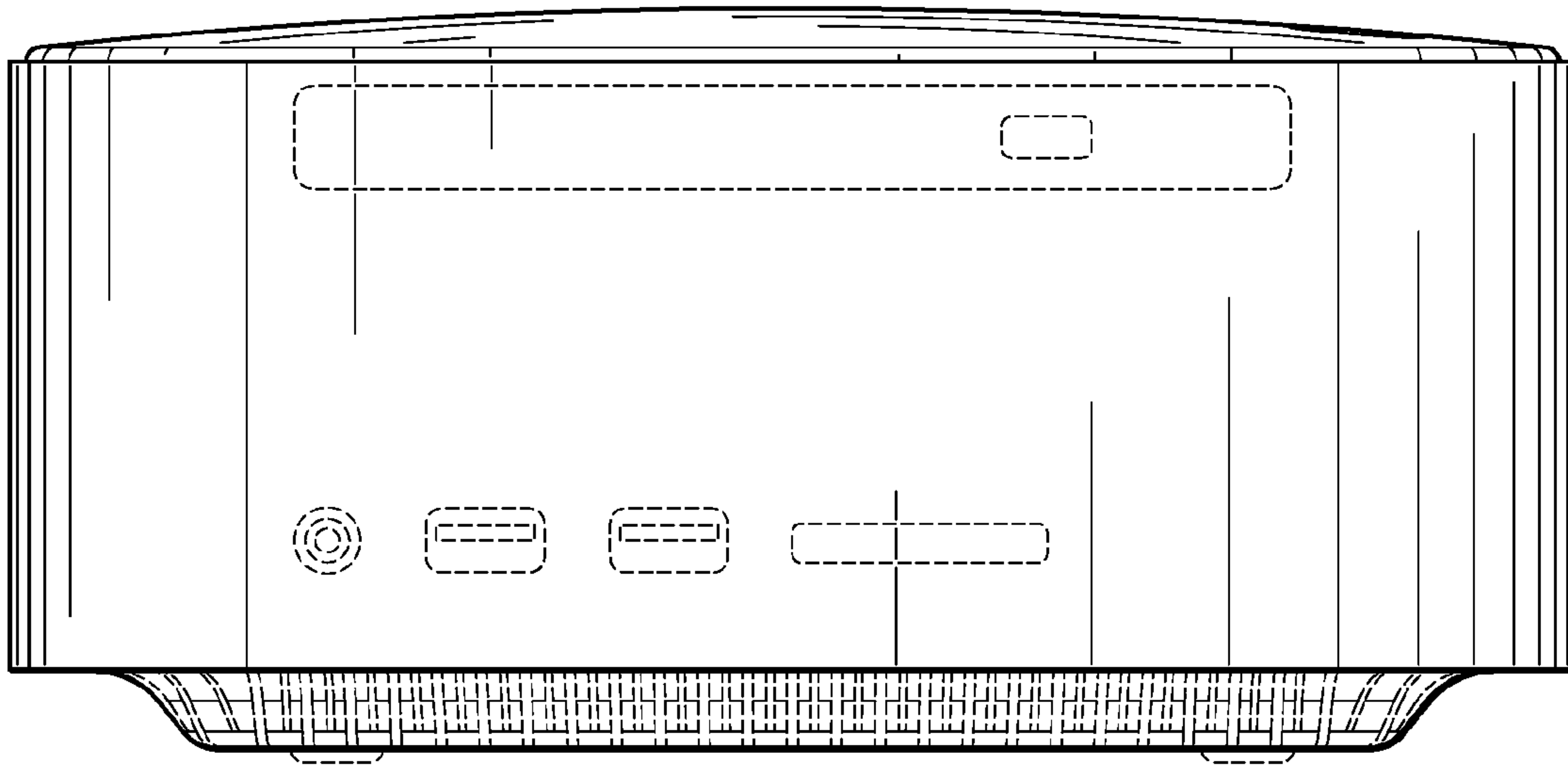


FIG. 2

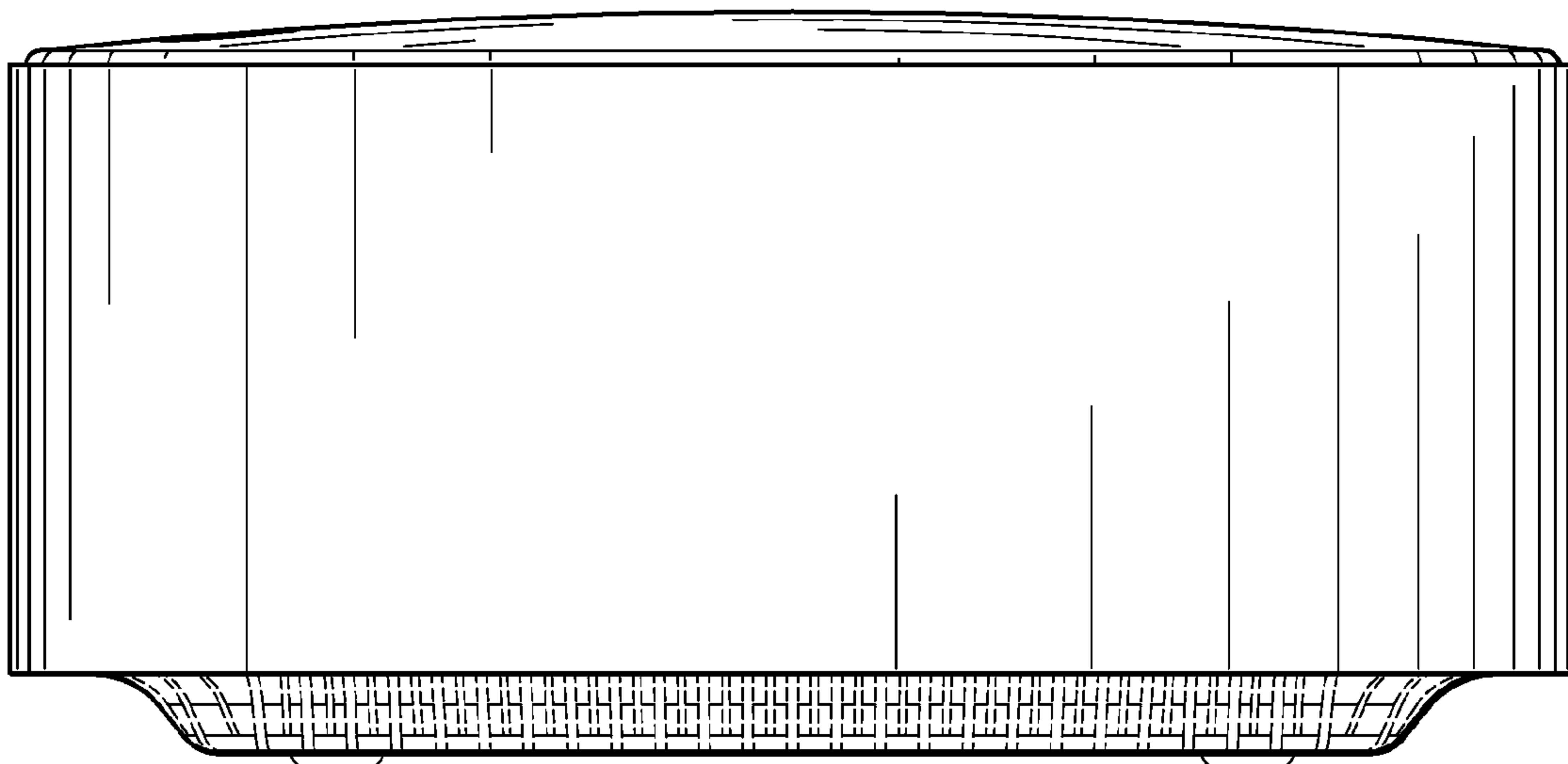


FIG. 3

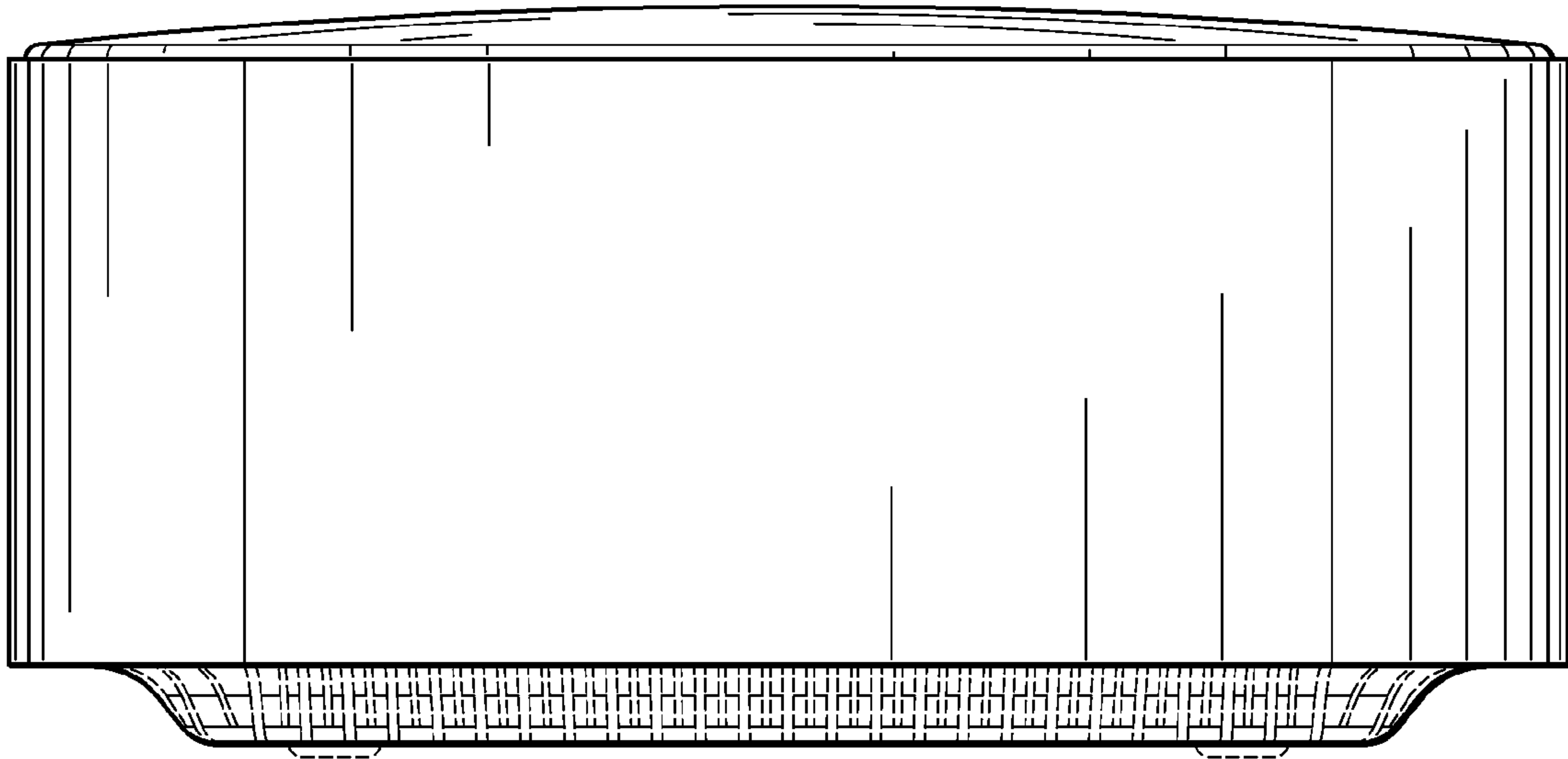


FIG. 4

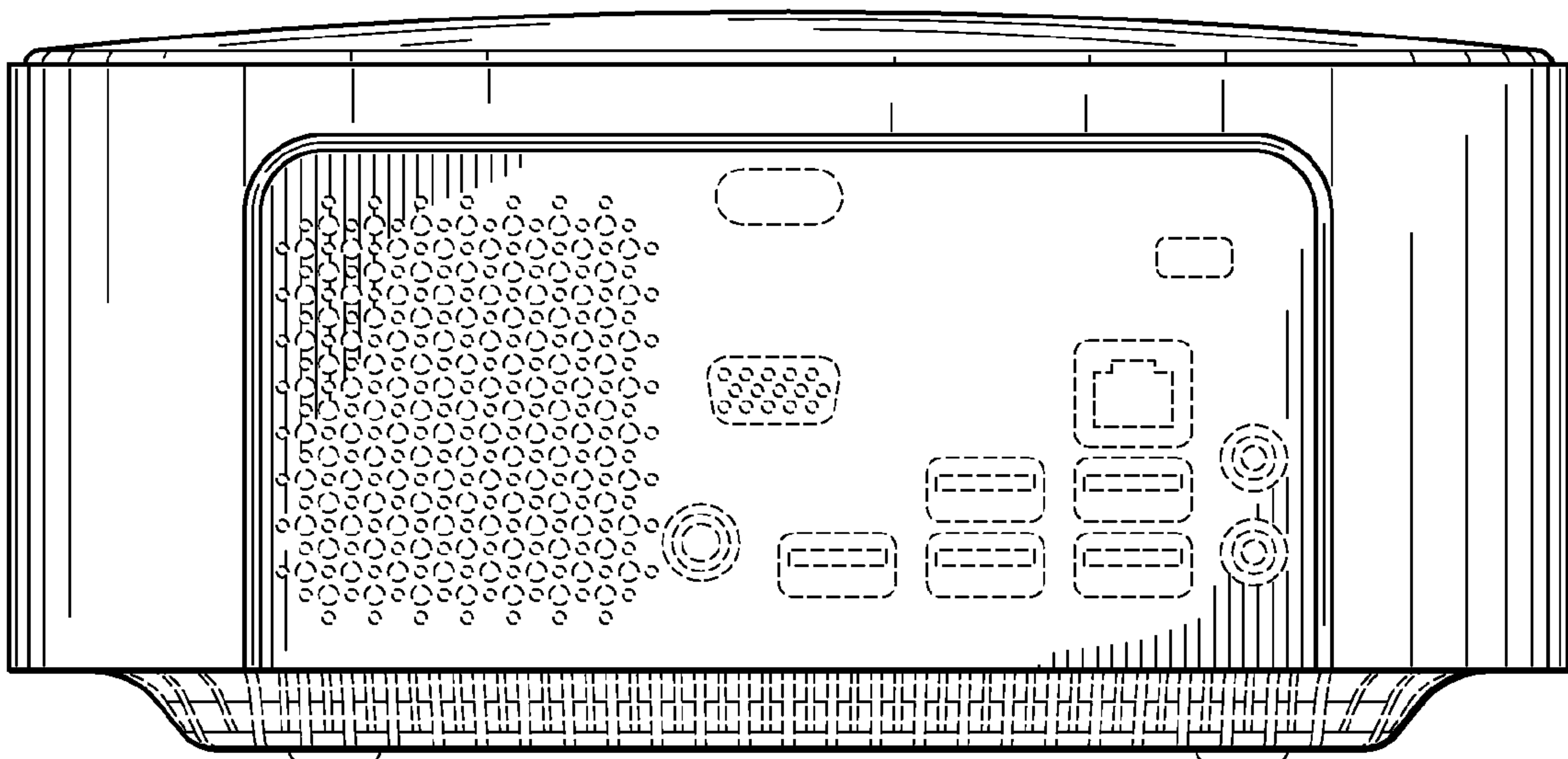


FIG. 5

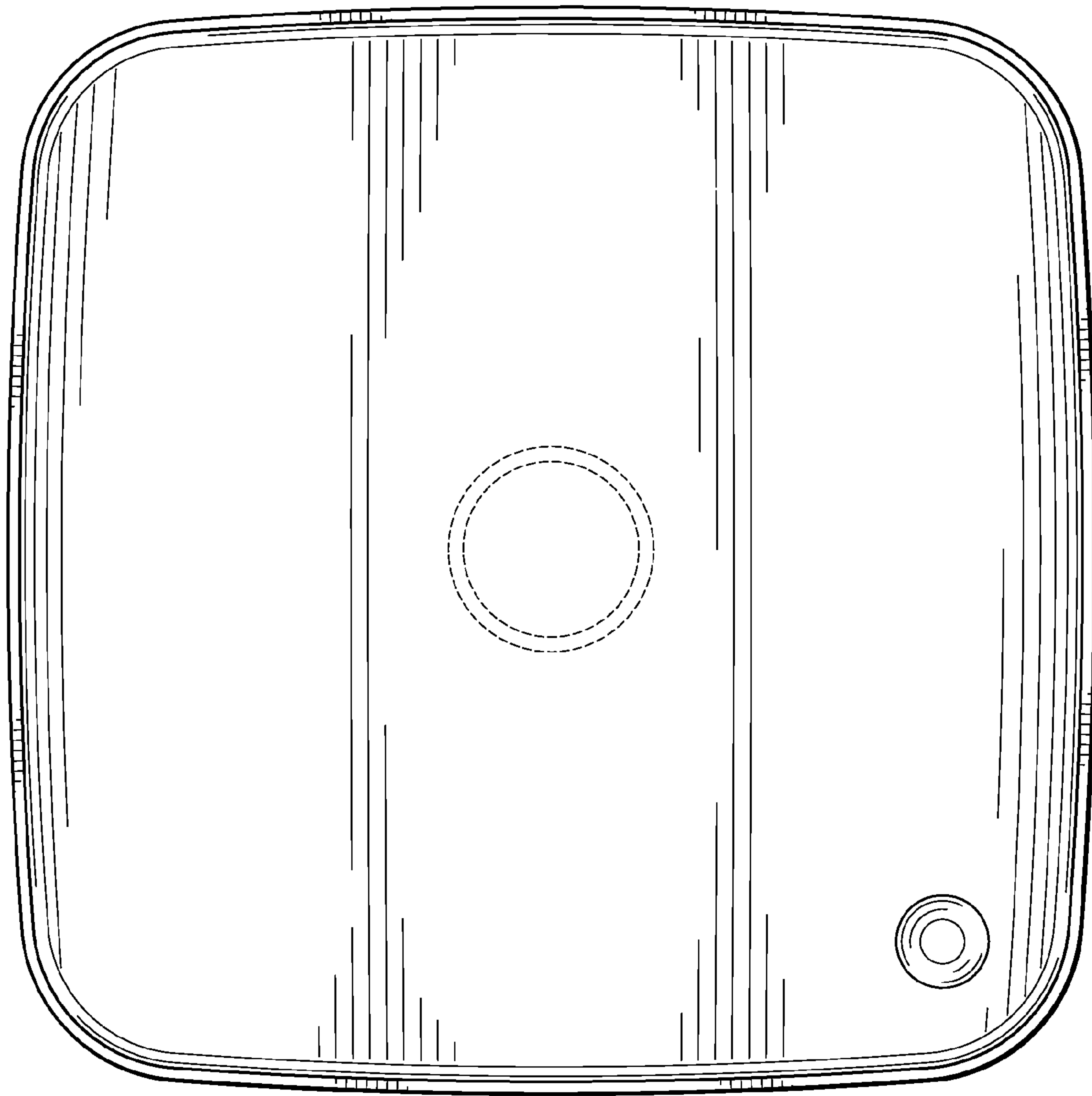


FIG. 6

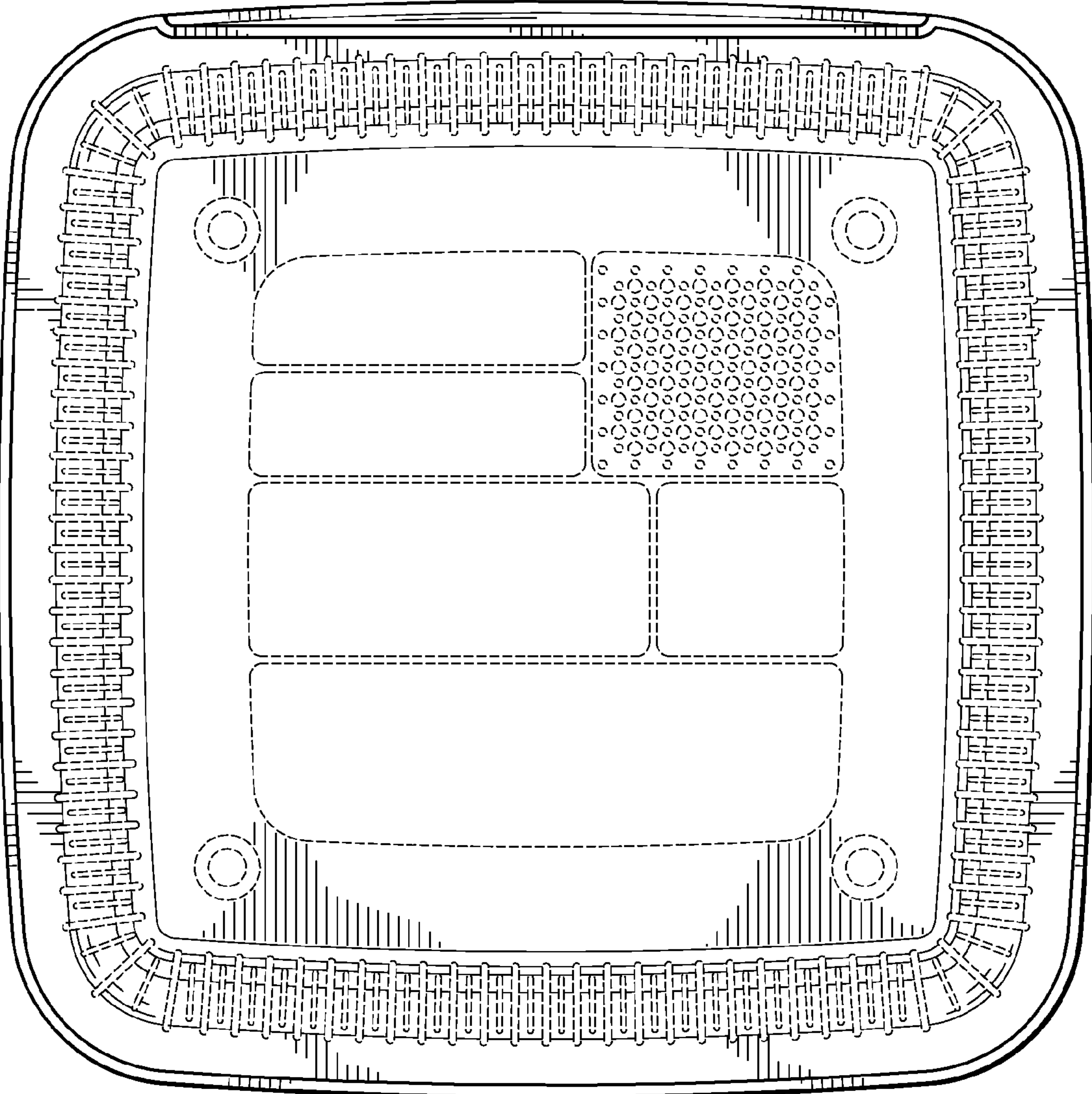


FIG. 7