



US00D618227S

(12) **United States Design Patent**
Han

(10) **Patent No.:** **US D618,227 S**
(45) **Date of Patent:** **** Jun. 22, 2010**

(54) **USB MODEM**

(75) Inventor: **Jiang Han**, Shenzhen (CN)

(73) Assignee: **Huawei Technologies Co., Ltd.**,
Shenzhen (CN)

(**) Term: **14 Years**

(21) Appl. No.: **29/322,431**

(22) Filed: **Aug. 5, 2008**

(30) **Foreign Application Priority Data**

Feb. 5, 2008 (CN) 2008 3 0101739

(51) **LOC (9) Cl.** **14-01**

(52) **U.S. Cl.** **D14/242**

(58) **Field of Classification Search** D14/137,
D14/140-140.9, 155, 167, 188, 204, 205,
D14/207, 210, 215, 218, 230-237, 240, 242,
D14/302, 314, 132-134, 348-358, 363, 383,
D14/433, 435.1, 496; D13/149, 184, 137.1-139.8,
D13/110, 144; 711/100, 115; 361/685, 725,
361/752; 369/272.1, 273, 75.11; 360/133,
360/79.01, 97.03; 379/220.01, 221.09, 220.14,
379/25, 93.09, 93.19, 156, 900, 338-339,
379/441

See application file for complete search history.

(56) **References Cited**

U.S. PATENT DOCUMENTS

D471,181 S * 3/2003 Haberstich D14/230

D486,806 S * 2/2004 Takayama et al. D14/137
D516,060 S * 2/2006 Wu D14/230
D533,544 S * 12/2006 Lai D14/230
D546,328 S * 7/2007 Kobayakawa D14/480.7
D551,668 S * 9/2007 Newby et al. D14/433
D552,610 S * 10/2007 Newby et al. D14/433
D570,772 S * 6/2008 Mahaffey et al. D13/110
D573,594 S * 7/2008 Hsu D14/358
D591,751 S * 5/2009 Ku D14/435

* cited by examiner

Primary Examiner—Ian Simmons
Assistant Examiner—Charles D Hanson

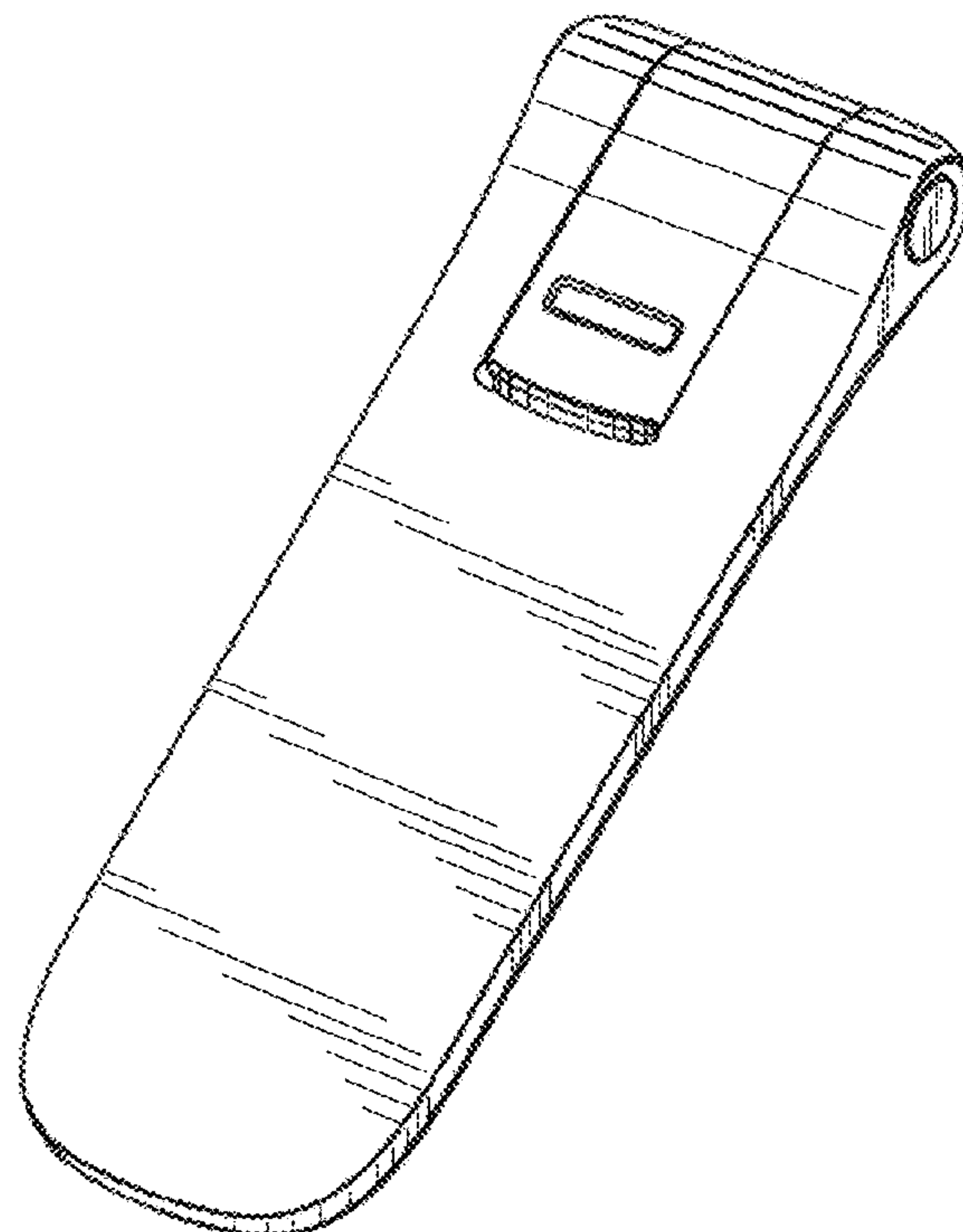
(57) **CLAIM**

The ornamental design for a USB modem, as shown and described.

DESCRIPTION

FIG. 1 is a top view of a USB modem;
FIG. 2 is a right side view thereof;
FIG. 3 is a front view thereof;
FIG. 4 is a left side view thereof;
FIG. 5 is a back view thereof;
FIG. 6 is a bottom view thereof; and,
FIG. 7 is a front perspective view thereof.

1 Claim, 3 Drawing Sheets



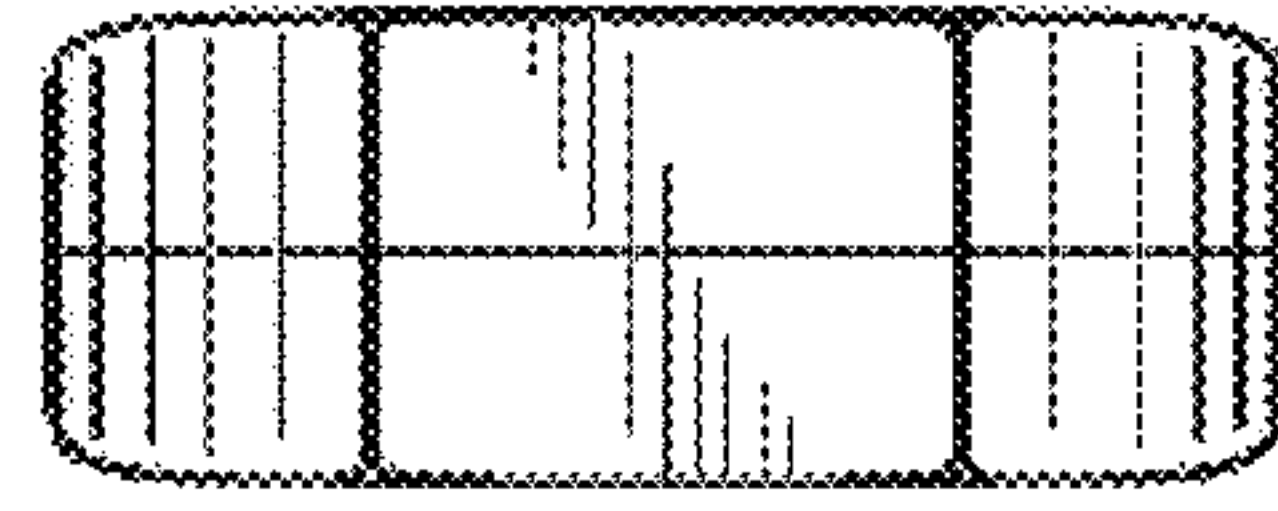


FIG. 1

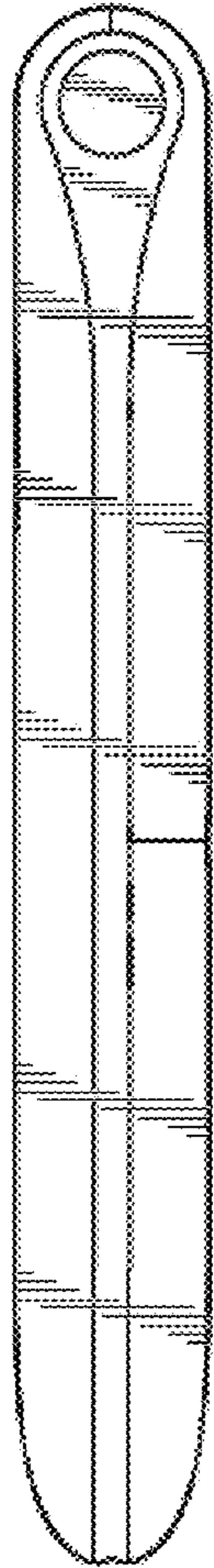


FIG. 2

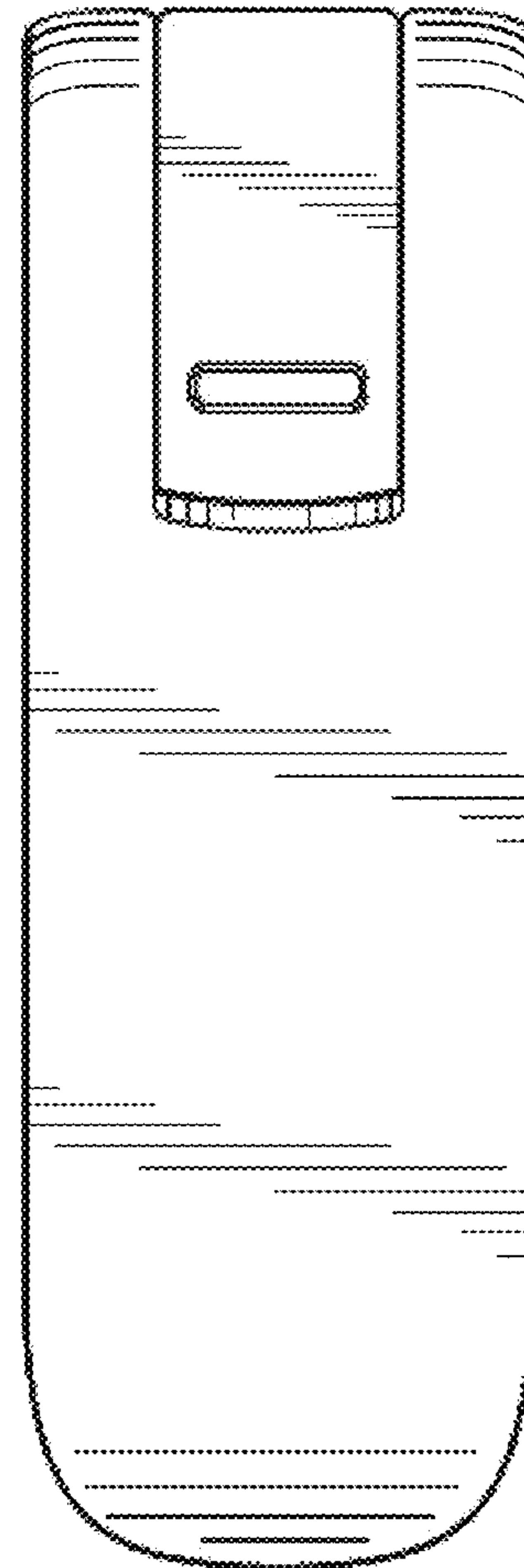


FIG. 3

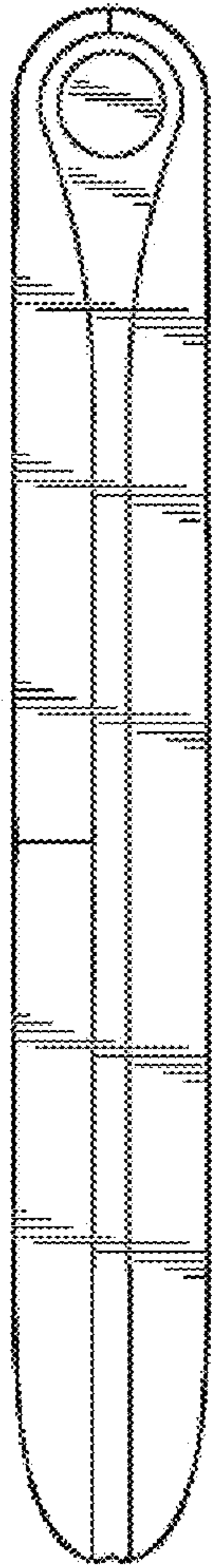


FIG. 4

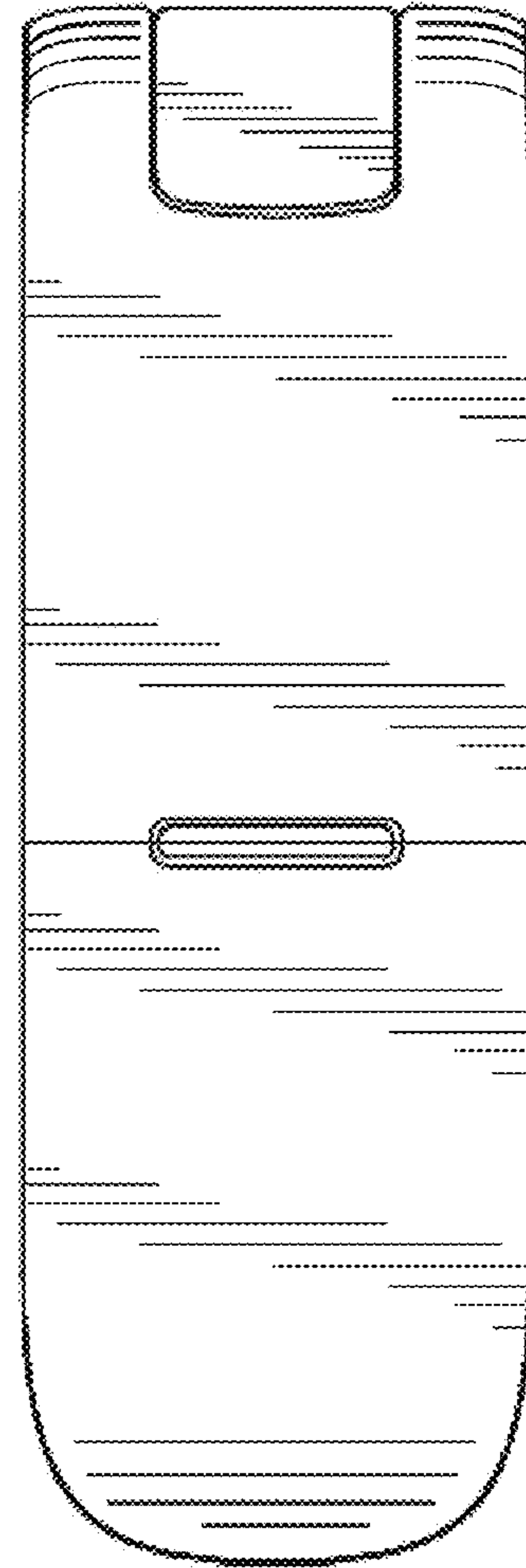


FIG. 5



FIG. 6

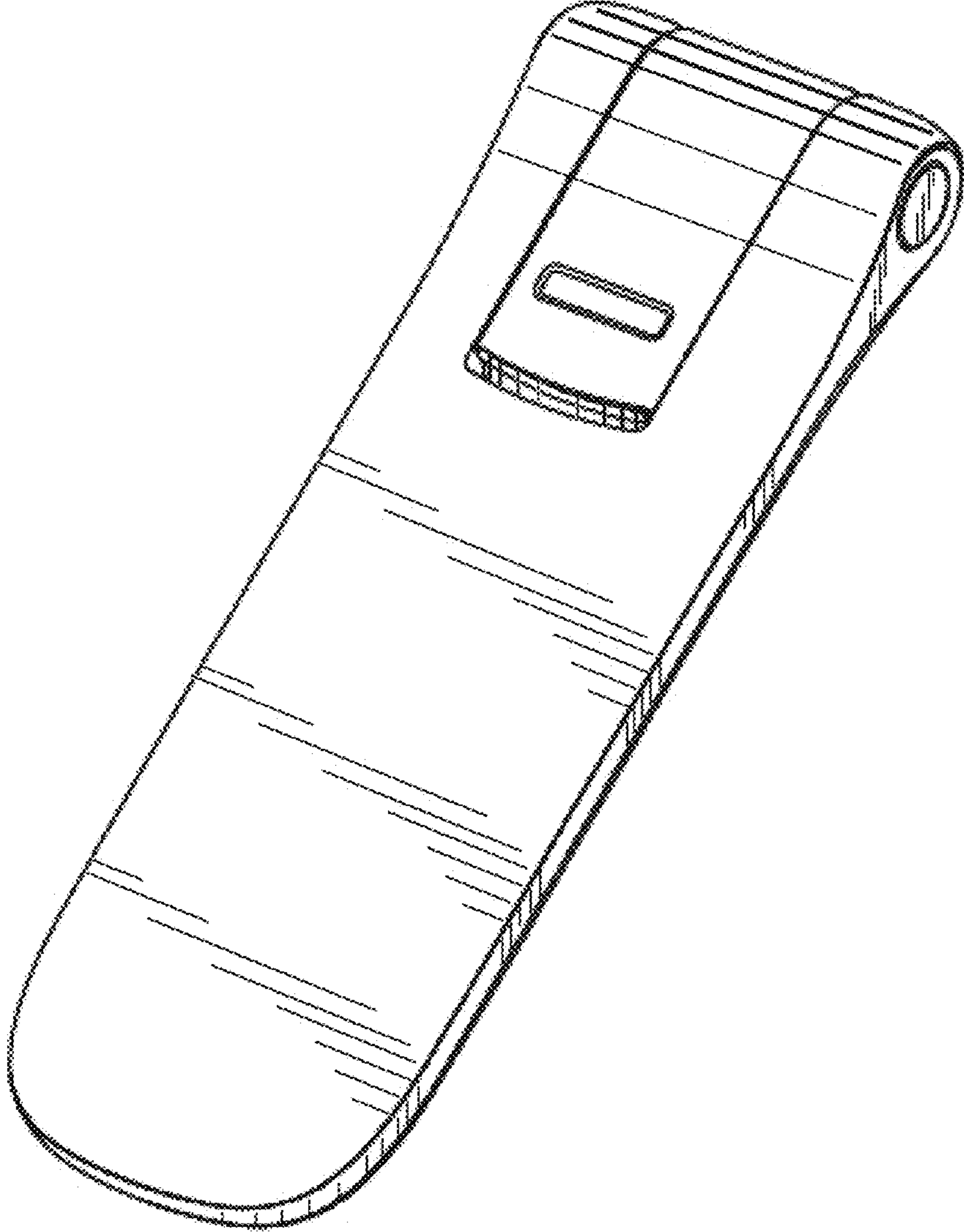


FIG. 7