



US00D618226S

(12) **United States Design Patent**
Tong et al.

(10) **Patent No.:** **US D618,226 S**
(45) **Date of Patent:** **** Jun. 22, 2010**

(54) **CELLPHONE PLUG ADAPTER**

(75) Inventors: **Chi Lun Tong**, Kowloon (HK); **Ka Wah Lai**, Tseung Kwan O (HK)

(73) Assignee: **Telebrands Corp.**, Fairfield, NJ (US)

(**) Term: **14 Years**

(21) Appl. No.: **29/315,651**

(22) Filed: **Jul. 13, 2009**

(51) **LOC (9) Cl.** **14-02**

(52) **U.S. Cl.** **D14/240; D14/431.1; D14/242; D14/356; D13/133**

(58) **Field of Classification Search** D13/133; D14/133, 240, 484.1, 480.6, 435.1, 358, 374, D14/242, 361-363, 365-367, 433; 361/757; 439/131, 159, 501, 528, 623, 652, 654; 379/220.1, 379/25, 93.09, 93.15, 93.14, 156, 424; 451/550.1, 451/557

See application file for complete search history.

(56) **References Cited**

U.S. PATENT DOCUMENTS

2,959,644	A	11/1960	Grace
3,289,149	A	11/1966	Pawloski
4,712,250	A	12/1987	Michels et al.
5,239,309	A	8/1993	Tang et al.
5,418,836	A	5/1995	Yazaki
5,583,485	A	12/1996	Van Lente et al.
5,584,052	A	12/1996	Gulau et al.
5,714,932	A	2/1998	Castellon et al.
5,796,819	A	8/1998	Romesburg
5,867,794	A	2/1999	Hayes et al.
5,881,150	A	3/1999	Persson
5,963,872	A	10/1999	Stein
6,052,603	A	4/2000	Kinzalow et al.
6,065,075	A	5/2000	Ryzin et al.
6,069,960	A	5/2000	Mizukami et al.
6,163,711	A	12/2000	Juntunen et al.
6,304,764	B1	10/2001	Pan
6,377,825	B1	4/2002	Kennedy et al.
6,394,852	B1	5/2002	Huang

6,424,842	B1	7/2002	Winstead
6,461,199	B1	10/2002	Koga et al.
D465,784	S *	11/2002	Lin D14/433
6,493,546	B2	12/2002	Patsiokas
D470,848	S *	2/2003	Morooka D14/433
D478,070	S *	8/2003	Nagai et al. D14/240

(Continued)

FOREIGN PATENT DOCUMENTS

CN 2506495 8/2002

(Continued)

OTHER PUBLICATIONS

“FM Transmitter with Microphone for Sony Ericsson W580i, W200a, K805i”, 2 pages, <www.paylessgadget.com>, May 4, 2009.

(Continued)

Primary Examiner—Charles A Rademaker
(74) *Attorney, Agent, or Firm*—Cooper & Dunham LLP

(57) **CLAIM**

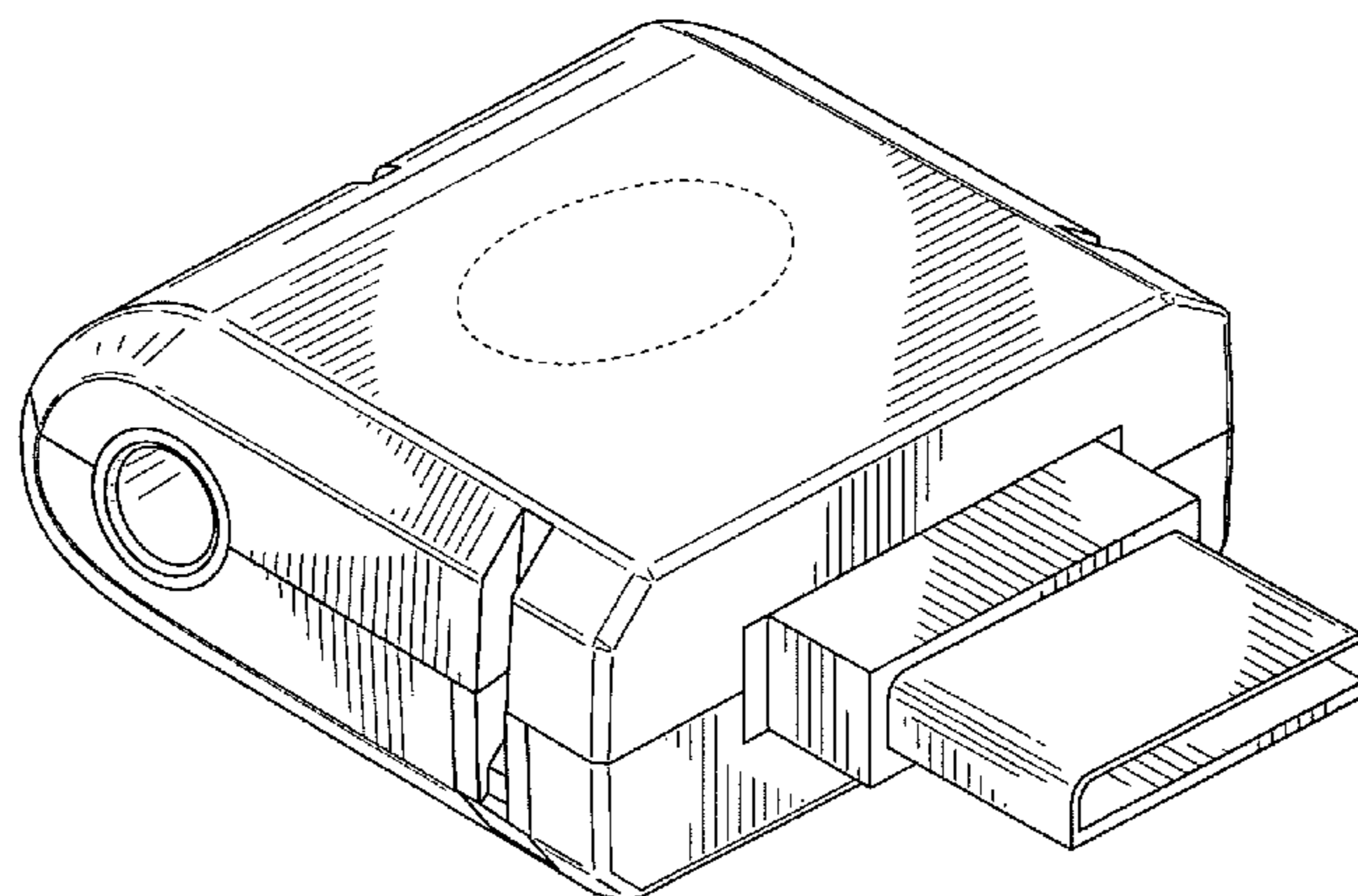
The ornamental design for a cellphone plug adapter, as shown and described.

DESCRIPTION

FIG. 1 is a perspective view of a cellphone plug adapter showing our new design;
FIG. 2 is a front view thereof;
FIG. 3 is a rear view thereof;
FIG. 4 is a side view thereof;
FIG. 5 is the other side view thereof;
FIG. 6 is a bottom view thereof; and,
FIG. 7 is a top view thereof.

The broken lines in FIGS. 1, 2, and 3 are for illustrative purposes and form no part of the claimed design.

1 Claim, 4 Drawing Sheets



US D618,226 S

Page 2

U.S. PATENT DOCUMENTS

D489,069 S * 4/2004 Lin D14/433
D531,118 S * 10/2006 Krieger et al. D14/435.1
D531,619 S 11/2006 Chau
D537,036 S * 2/2007 Chen D13/133
D544,479 S * 6/2007 Chen D14/356
7,241,179 B2 7/2007 Chennakeshu
7,305,253 B2 12/2007 Snyder et al.
7,340,284 B2 3/2008 Chung
D570,844 S * 6/2008 Liu et al. D14/433
D572,251 S * 7/2008 Lee D14/358
D579,871 S * 11/2008 Hsiau D13/133
D579,933 S * 11/2008 Deguchi D14/356
D585,061 S * 1/2009 Han D14/358
D596,182 S * 7/2009 Kim et al. D14/435.1
D599,795 S * 9/2009 Lindley D14/358
D601,142 S * 9/2009 Lindley D14/358
7,581,967 B2 * 9/2009 Collantes et al. 439/131
D604,725 S * 11/2009 Chen D14/240
7,628,622 B2 * 12/2009 Yu et al. 439/131
D611,463 S * 3/2010 Kim D14/242
D611,944 S * 3/2010 Kujawski et al. D14/435.1
2002/0016188 A1 2/2002 Kashiwamura
2003/0008564 A1 1/2003 Lebron
2003/0148787 A1 8/2003 Hao

2005/0070153 A1 3/2005 Tang
2005/0146227 A1 7/2005 Jackson et al.
2006/0234771 A1 10/2006 Shavrov

FOREIGN PATENT DOCUMENTS

EP 1134958 5/2006
GB 2264613 9/1993

OTHER PUBLICATIONS

“OEM Sony Ericsson MMR-60 FM Music Transmitter”, 2 pages, <www.daydeal.com>, May 5, 2009.
“Sony Ericsson FM Transmitter For Phones”, 2 pages, <gizmodo.com>, May 1, 2009.
“Adapter Photographs”, 7 pages, photographs, before Jul. 1, 2009.
“The Original Black Jack”, 2 pages, photographs, before Jul. 1, 2009.
“Black Jack Handsfree 2.5MM Audio Jack Converter Compatibility Matrix”, 7 pages, before Jul. 1, 2009.
“Engergizer Energi To Go Instant Cell Phone Charger”, 3 pages, photographs, 2007.
“iGo Power Tips” and “iGo” Charger, 6 pages, photographs, 2007.
English language translation of People’s Republic of China Patent Publication No. CN 2506495, Aug. 21, 2002.
“Fonfree Radio FX”, 4 pages, photographs, 2005.

* cited by examiner

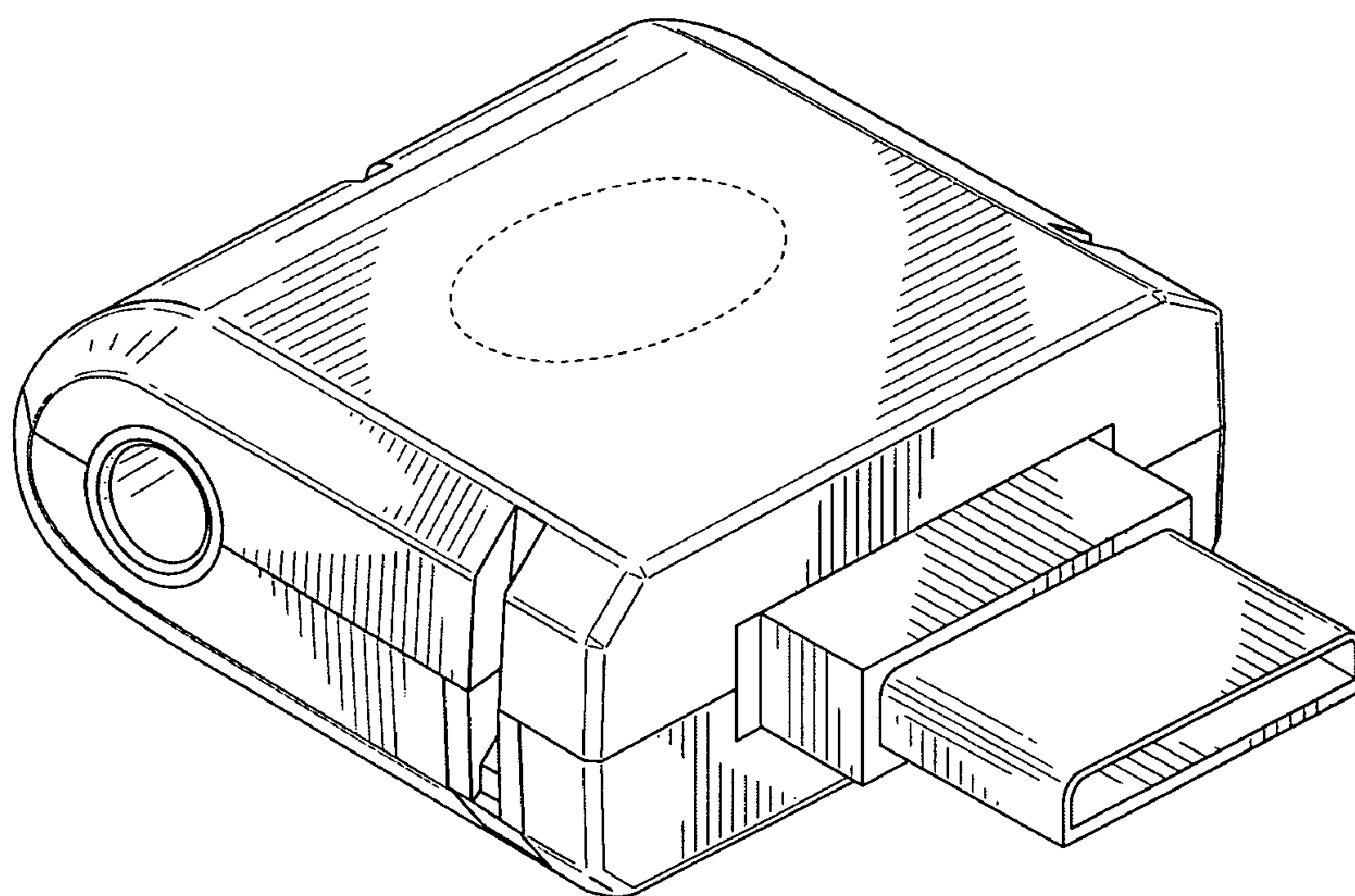


FIG. 1

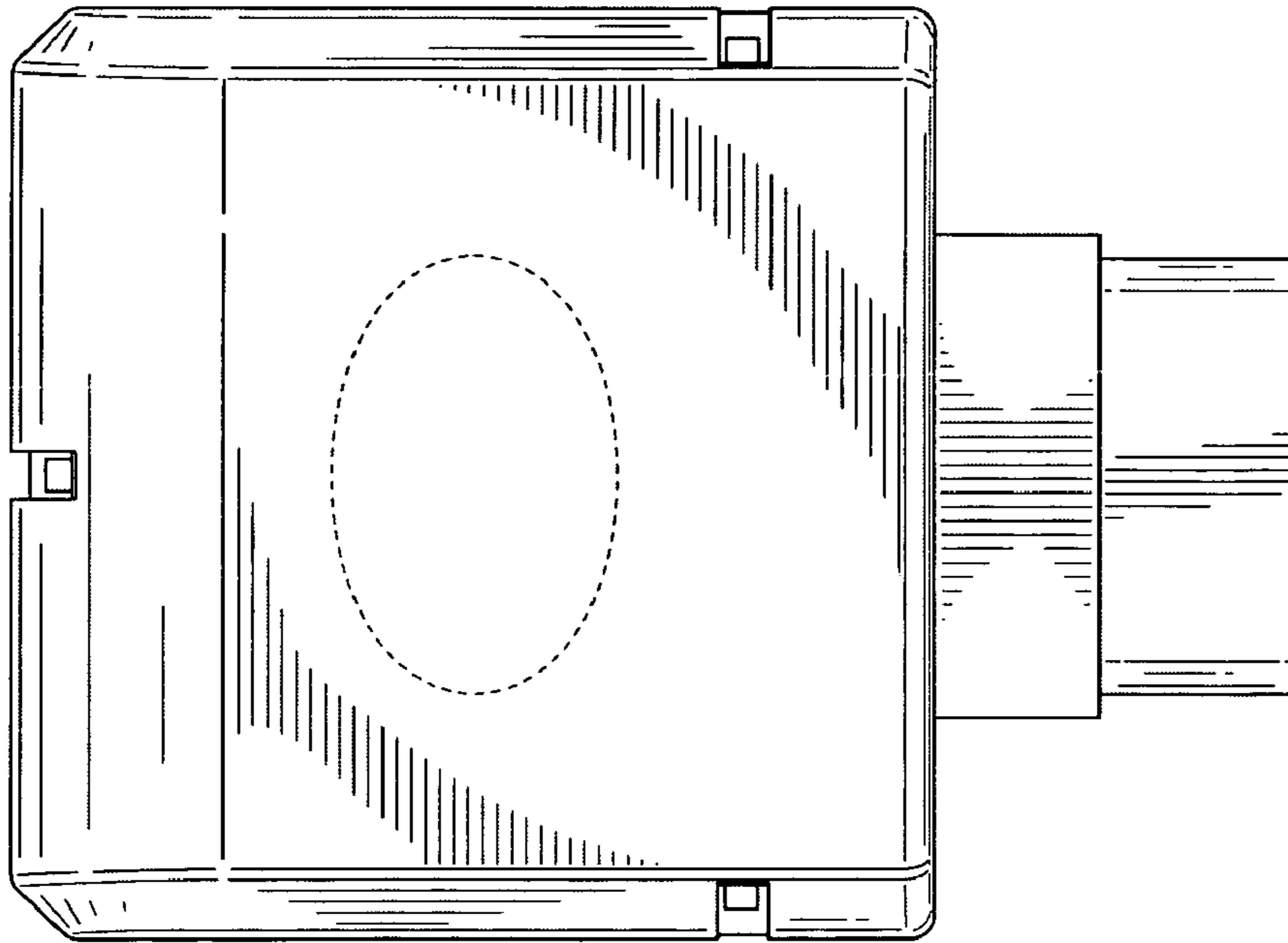


FIG. 2

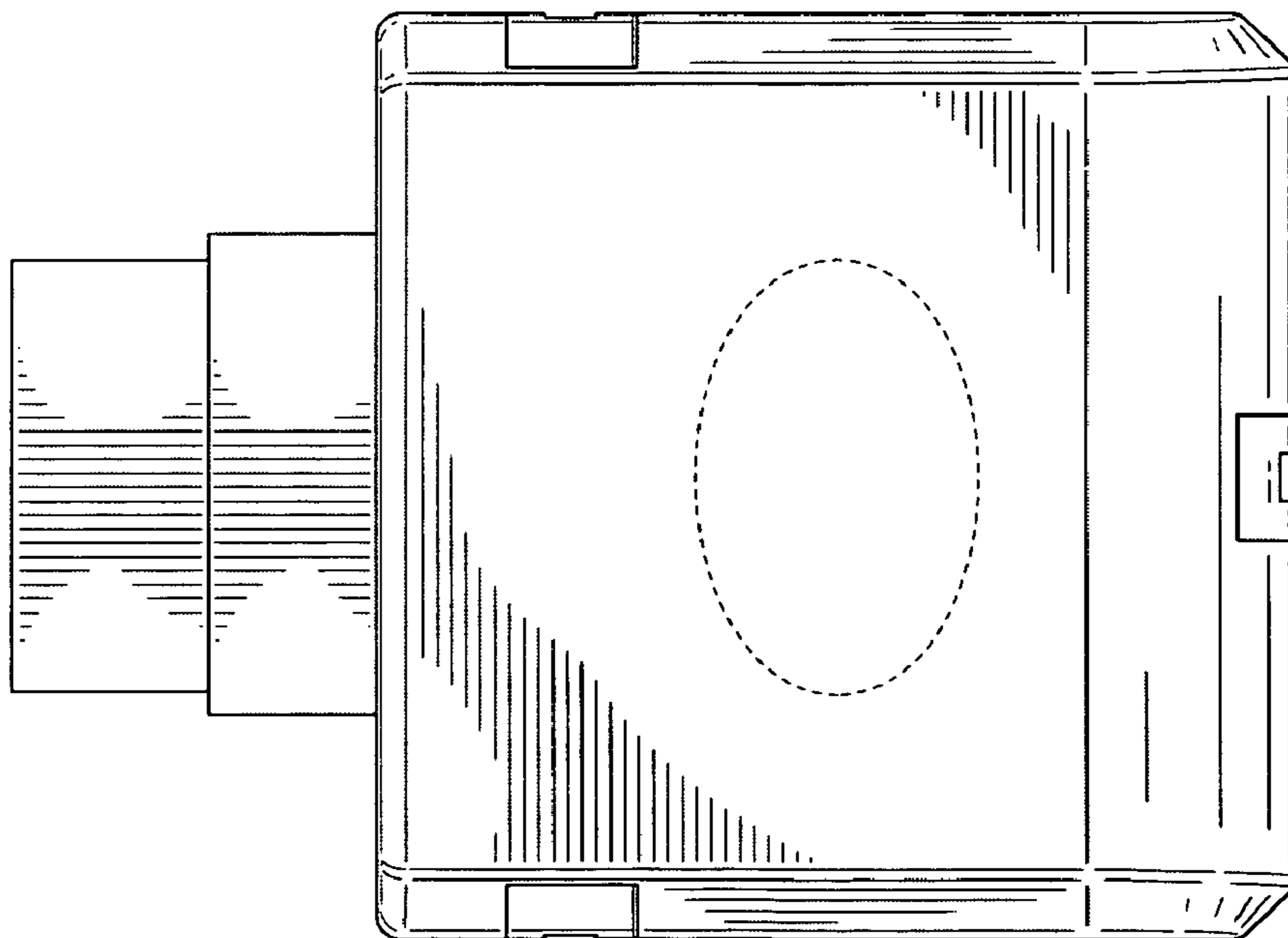


FIG. 3

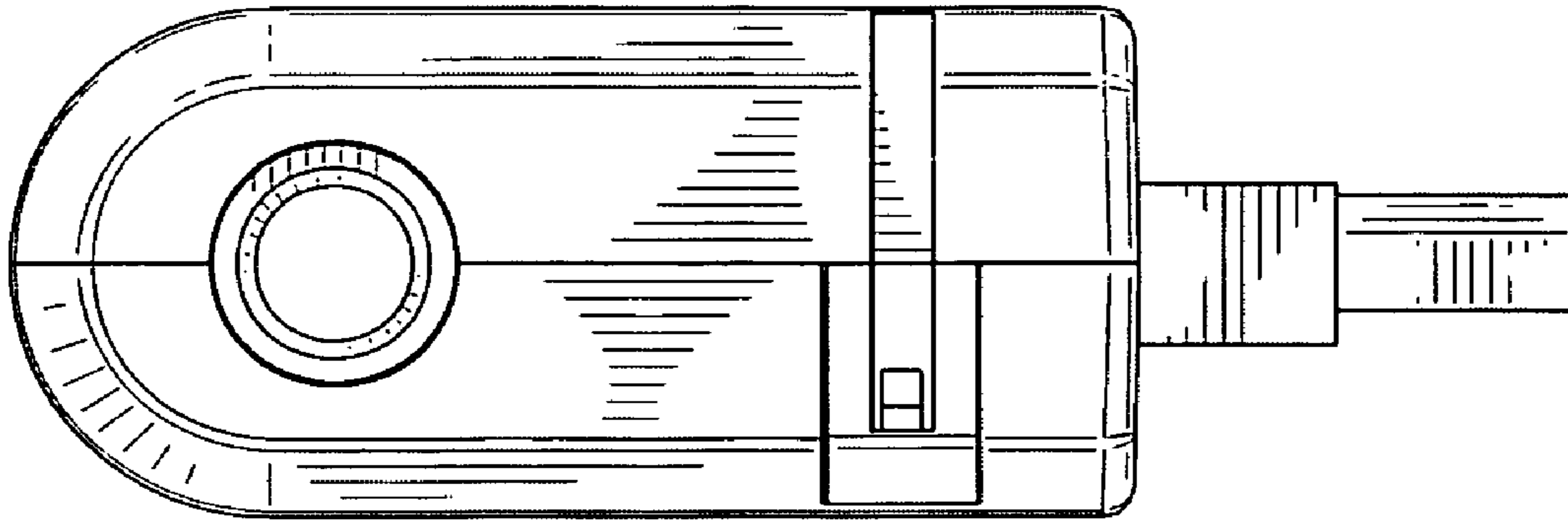


FIG. 4

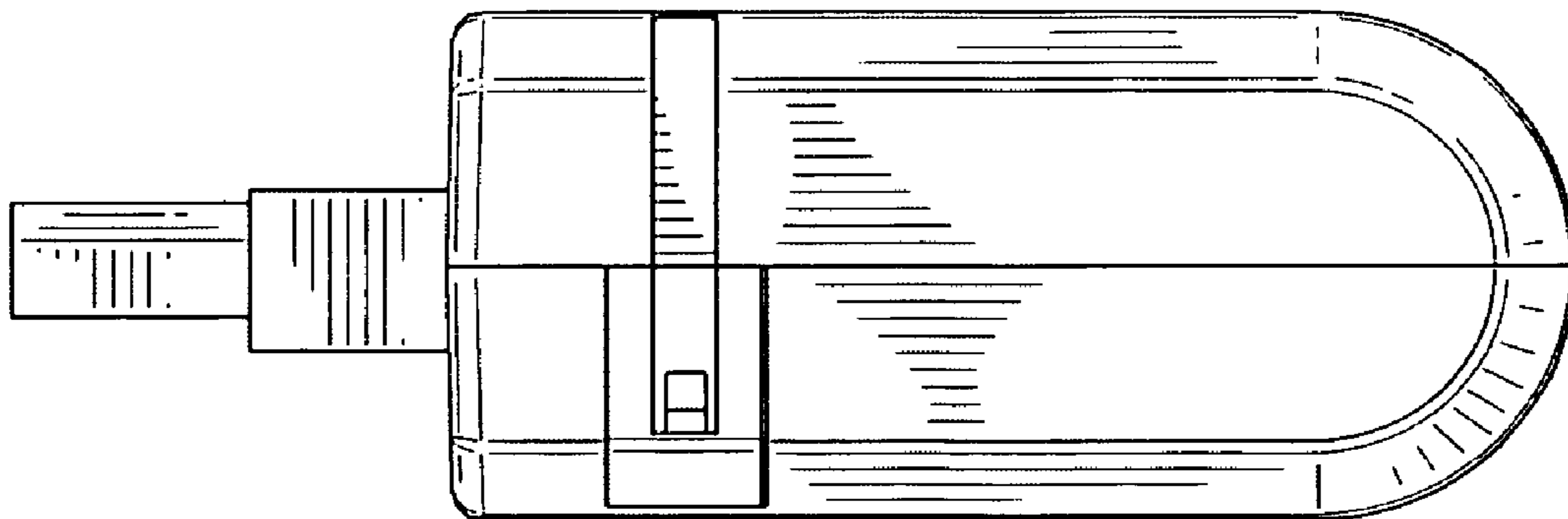


FIG. 5

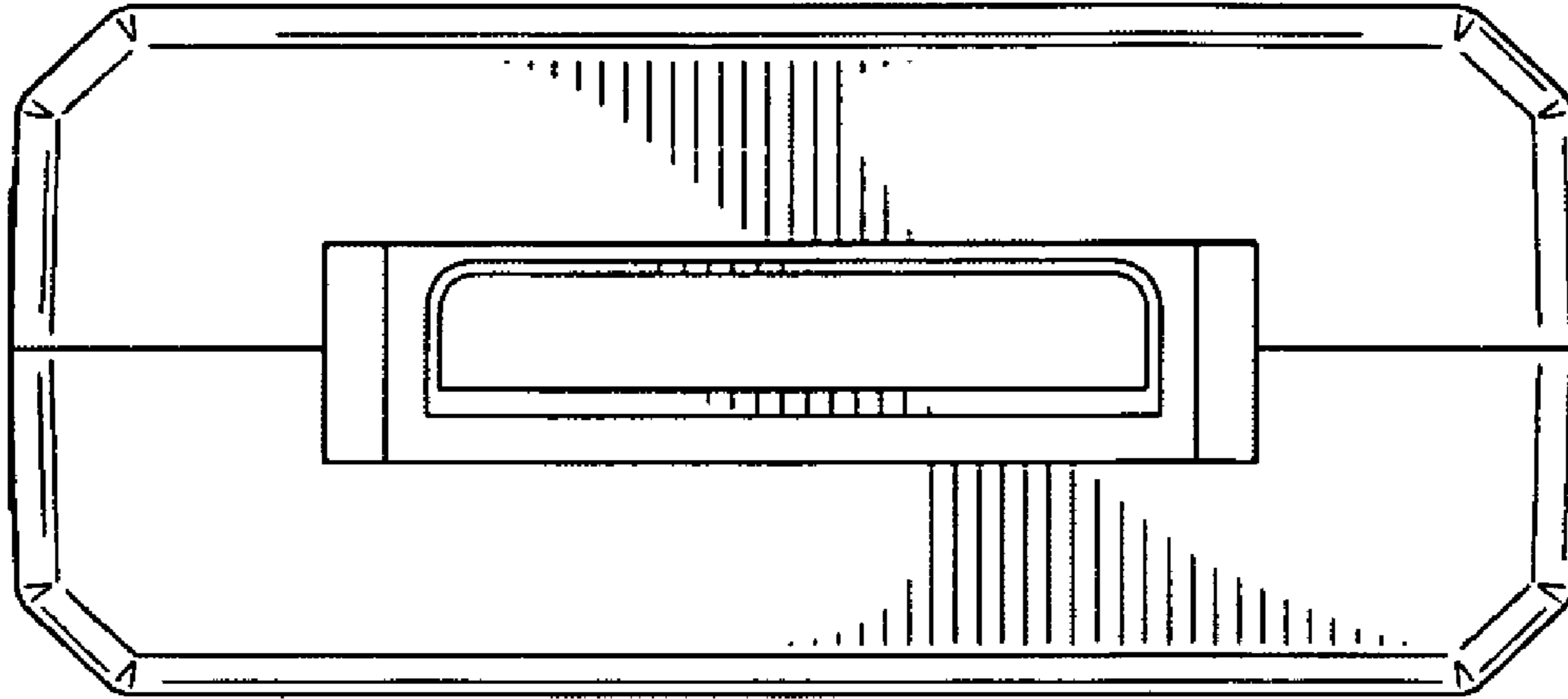


FIG. 6

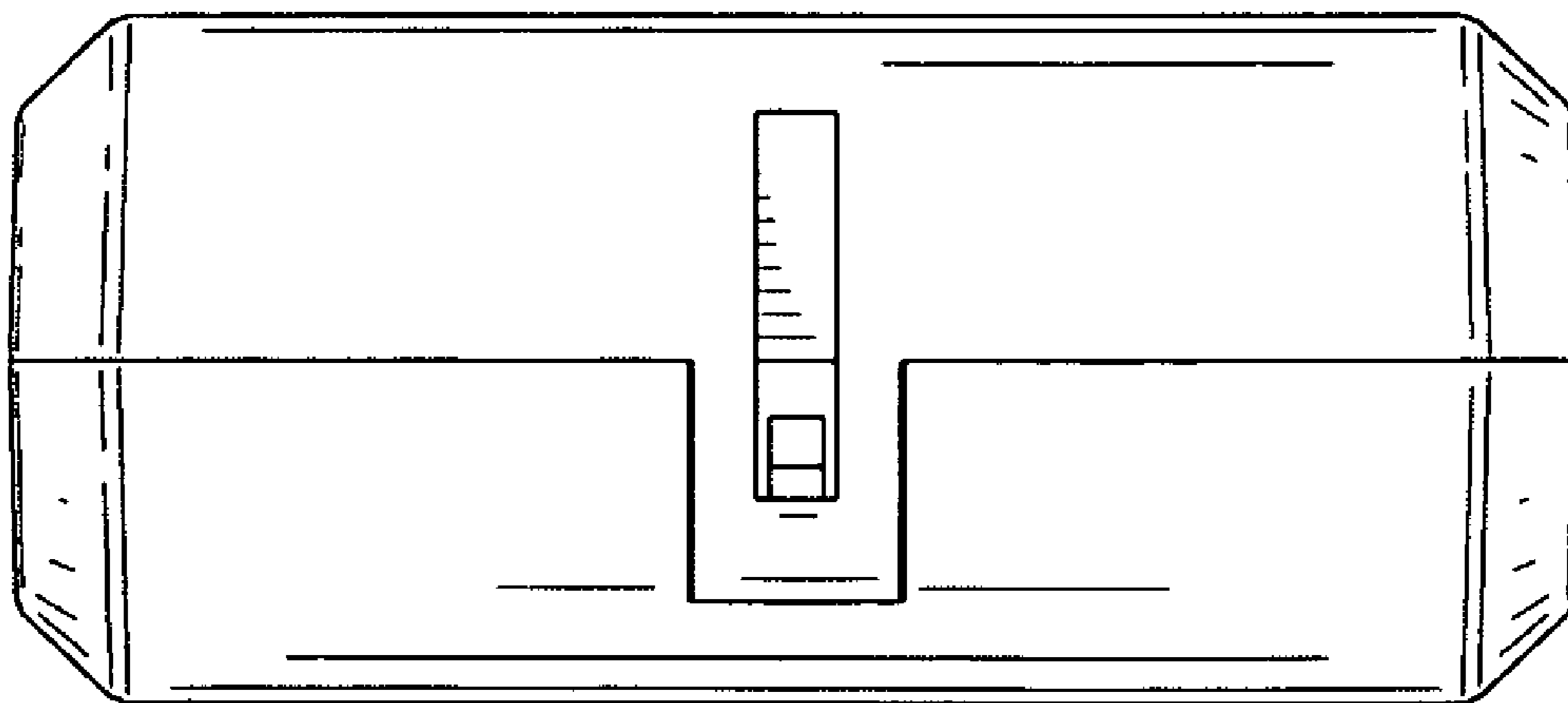


FIG. 7