



US00D618224S

(12) **United States Design Patent**  
**Tong et al.**

(10) **Patent No.:** **US D618,224 S**  
(45) **Date of Patent:** **\*\* Jun. 22, 2010**

(54) **CELLPHONE PLUG ADAPTER**  
(75) Inventors: **Chi Lun Tong**, Kowloon (HK); **Ka Wah Lai**, Tseung Kwan O (HK)  
(73) Assignee: **Telebrands Corp.**, Fairfield, NJ (US)  
(\*\*) Term: **14 Years**

6,424,842 B1 7/2002 Winstead  
6,461,199 B1 10/2002 Koga et al.  
D465,784 S \* 11/2002 Lin ..... D14/433  
6,493,546 B2 12/2002 Patsiokas  
D470,848 S \* 2/2003 Morooka ..... D14/433  
D478,070 S \* 8/2003 Nagai et al. .... D14/240

(21) Appl. No.: **29/315,646**

FOREIGN PATENT DOCUMENTS

(22) Filed: **Jul. 13, 2009**

CN 2506495 8/2002

(51) **LOC (9) Cl.** ..... **14-02**

(Continued)

(52) **U.S. Cl.** ..... **D14/240; D14/431.1; D14/242; D14/356; D13/133**

OTHER PUBLICATIONS

(58) **Field of Classification Search** ..... D13/133; D14/133, 240, 484.1, 480.6, 435.1, 358, 374, D14/242, 361-363, 365-367, 433; 361/757; 439/131, 159, 501, 528, 623, 652, 654; 379/220.1, 379/25, 93.09, 93.15, 93.14, 156, 424; 451/550.1, 451/557

“FM Transmitter with Microphone for Sony Ericsson W580i, W200a, K805i”, 2 pages, <www.paylessgadget.com>, May 4, 2009.

(Continued)

See application file for complete search history.

*Primary Examiner*—Charles A Rademaker  
(74) *Attorney, Agent, or Firm*—Cooper & Dunham LLP

(56) **References Cited**

(57) **CLAIM**

U.S. PATENT DOCUMENTS

The ornamental design for a cellphone plug adapter, as shown and described.

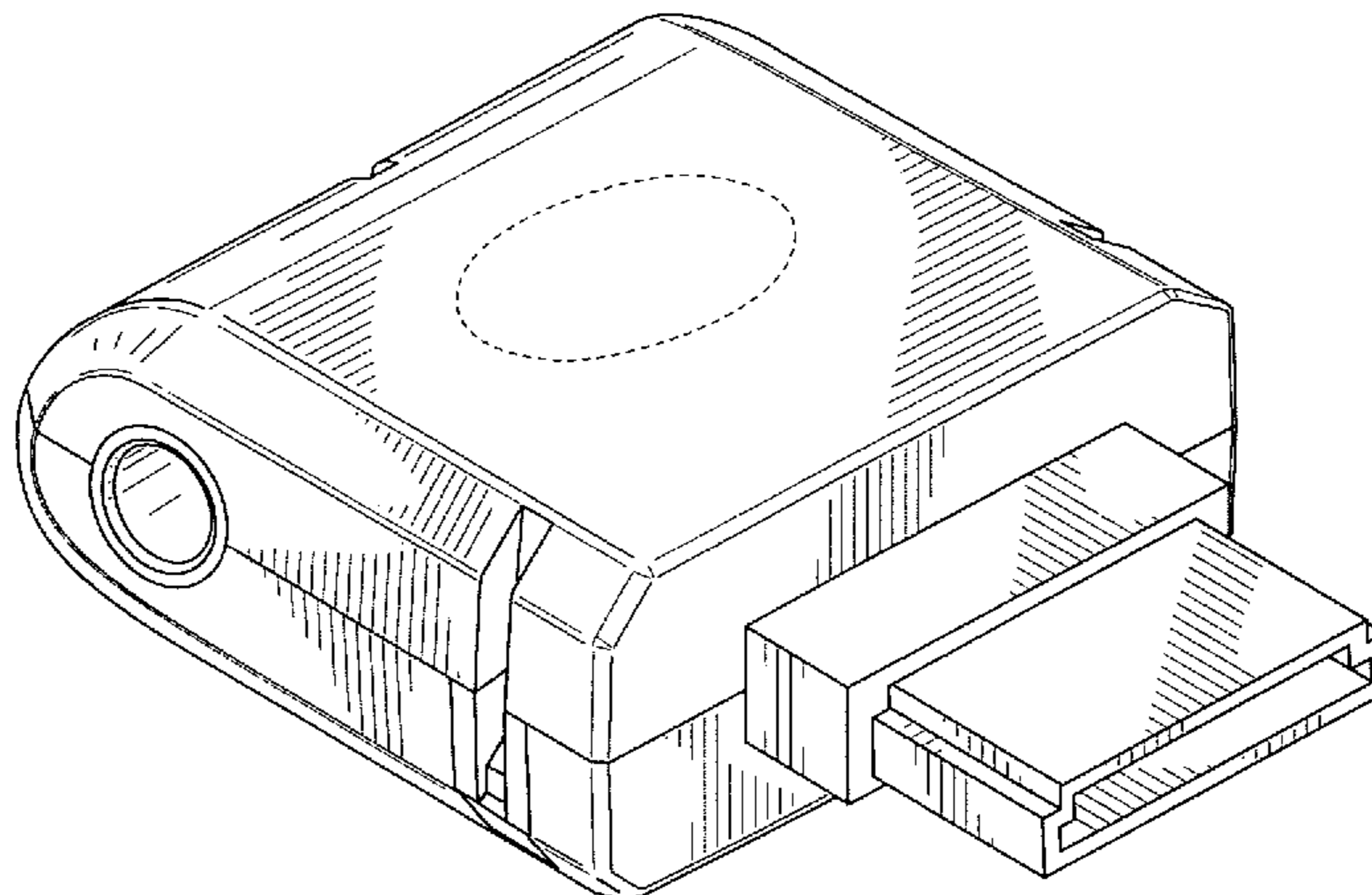
- 2,959,644 A 11/1960 Grace
- 3,289,149 A 11/1966 Pawloski
- 4,712,250 A 12/1987 Michels et al.
- 5,239,309 A 8/1993 Tang et al.
- 5,418,836 A 5/1995 Yazaki
- 5,583,485 A 12/1996 Van Lente et al.
- 5,584,052 A 12/1996 Gulau et al.
- 5,714,932 A 2/1998 Castellon et al.
- 5,796,819 A 8/1998 Romesburg
- 5,867,794 A 2/1999 Hayes et al.
- 5,881,150 A 3/1999 Persson
- 5,963,872 A 10/1999 Stein
- 6,052,603 A 4/2000 Kinzalow et al.
- 6,065,075 A 5/2000 Ryzin et al.
- 6,069,960 A 5/2000 Mizukami et al.
- 6,163,711 A 12/2000 Juntunen et al.
- 6,304,764 B1 10/2001 Pan
- 6,377,825 B1 4/2002 Kennedy et al.
- 6,394,852 B1 5/2002 Huang

**DESCRIPTION**

FIG. 1 is a perspective view of a cellphone plug adapter showing our new design;  
FIG. 2 is a front view thereof;  
FIG. 3 is a rear view thereof;  
FIG. 4 is a side view thereof;  
FIG. 5 is the other side view thereof;  
FIG. 6 is a bottom view thereof; and,  
FIG. 7 is a top view thereof.

The broken lines in FIGS. 1, 2, and 3 are for illustrative purposes and form no part of the claimed design.

**1 Claim, 4 Drawing Sheets**



# US D618,224 S

Page 2

## U.S. PATENT DOCUMENTS

D489,069 S \* 4/2004 Lin ..... D14/433  
D531,118 S \* 10/2006 Krieger et al. .... D14/435.1  
D531,619 S 11/2006 Chau  
D537,036 S \* 2/2007 Chen ..... D13/133  
D544,479 S \* 6/2007 Chen ..... D14/356  
7,241,179 B2 7/2007 Chennakeshu  
7,305,253 B2 12/2007 Snyder et al.  
7,340,284 B2 3/2008 Chung  
D570,844 S \* 6/2008 Liu et al. .... D14/433  
D572,251 S \* 7/2008 Lee ..... D14/358  
D579,871 S \* 11/2008 Hsiau ..... D13/133  
D579,933 S \* 11/2008 Deguchi ..... D14/356  
D585,061 S \* 1/2009 Han ..... D14/358  
D596,182 S \* 7/2009 Kim et al. .... D14/435.1  
D599,795 S \* 9/2009 Lindley ..... D14/358  
D601,142 S \* 9/2009 Lindley ..... D14/358  
7,581,967 B2 \* 9/2009 Collantes et al. .... 439/131  
D604,725 S \* 11/2009 Chen ..... D14/240  
7,628,622 B2 \* 12/2009 Yu et al. .... 439/131  
D611,463 S \* 3/2010 Kim ..... D14/242  
D611,944 S \* 3/2010 Kujawski et al. .... D14/435.1  
2002/0016188 A1 2/2002 Kashiwamura  
2003/0008564 A1 1/2003 Lebron  
2003/0148787 A1 8/2003 Hao

2005/0070153 A1 3/2005 Tang  
2005/0146227 A1 7/2005 Jackson et al.  
2006/0234771 A1 10/2006 Shavrov

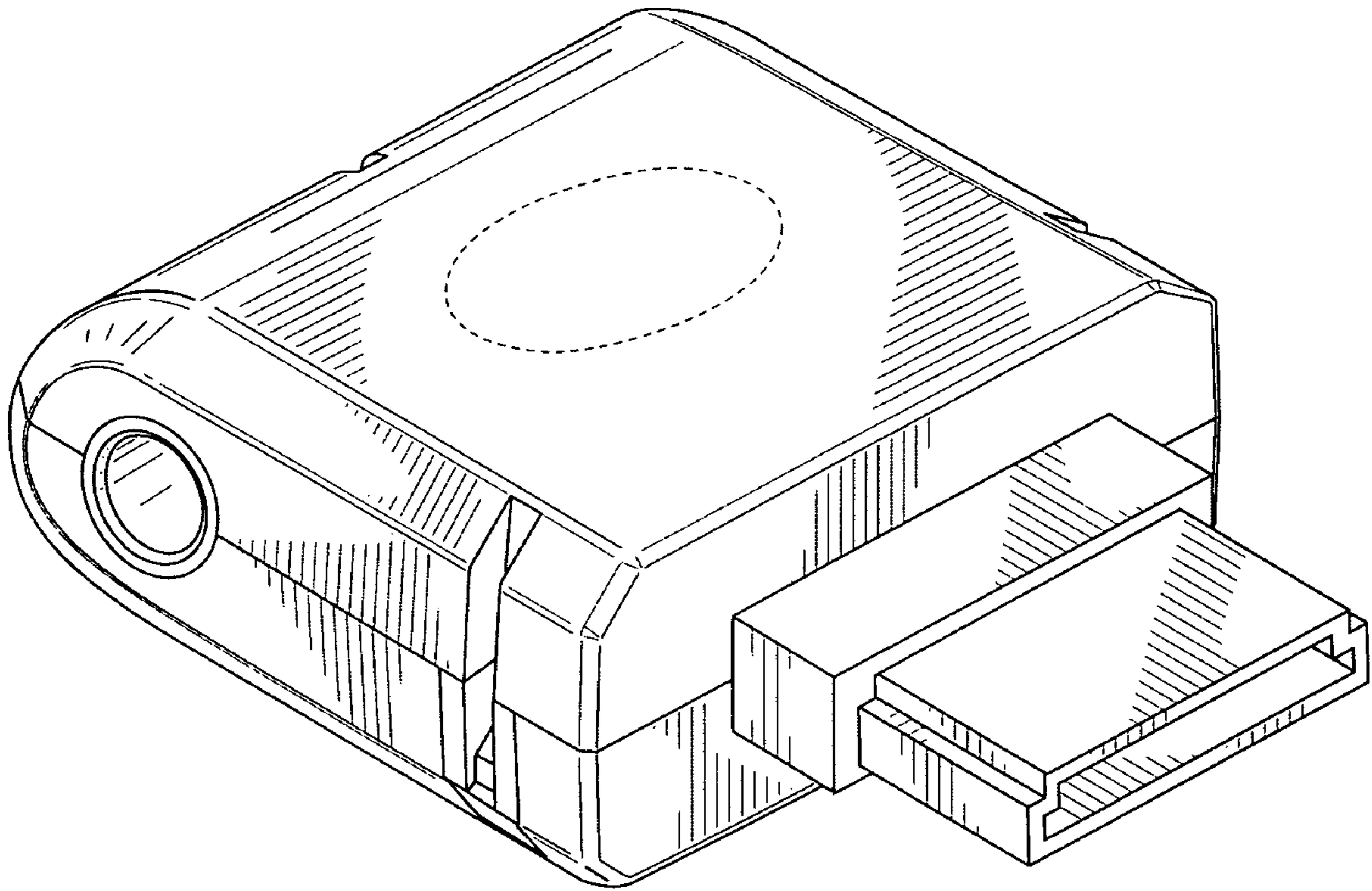
## FOREIGN PATENT DOCUMENTS

EP 1134958 5/2006  
GB 2264613 9/1993

## OTHER PUBLICATIONS

“OEM Sony Ericsson MMR-60 FM Music Transmitter”, 2 pages, <www.daydeal.com>, May 4, 2009.  
“Sony Ericsson FM Transmitter for Phones”, 2 pages, <gizmodo.com>, May 1, 2009.  
“Adapter Photographs”, 7 pages, photographs, before Jul. 1, 2009.  
“The Original Black Jack”, 2 pages, photographs, before Jul. 1, 2009.  
“Black Jack Handsfree 2.5MM Audio Jack Converter Compatibility Matrix”, 7 pages, before Jul. 1, 2009.  
“Engergizer Energi To Go Instant Cell Phone Charger”, 3 pages, photographs, 2007.  
“iGo Power Tips” and “iGo” Charger, 6 pages, photographs, 2007.  
English language translation of People’s Republic of China Patent Publication No. CN 2506495, Aug. 21, 2002.  
“Fonfree Radio FX”, 4 pages, photographs, 2005.

\* cited by examiner



**FIG. 1**

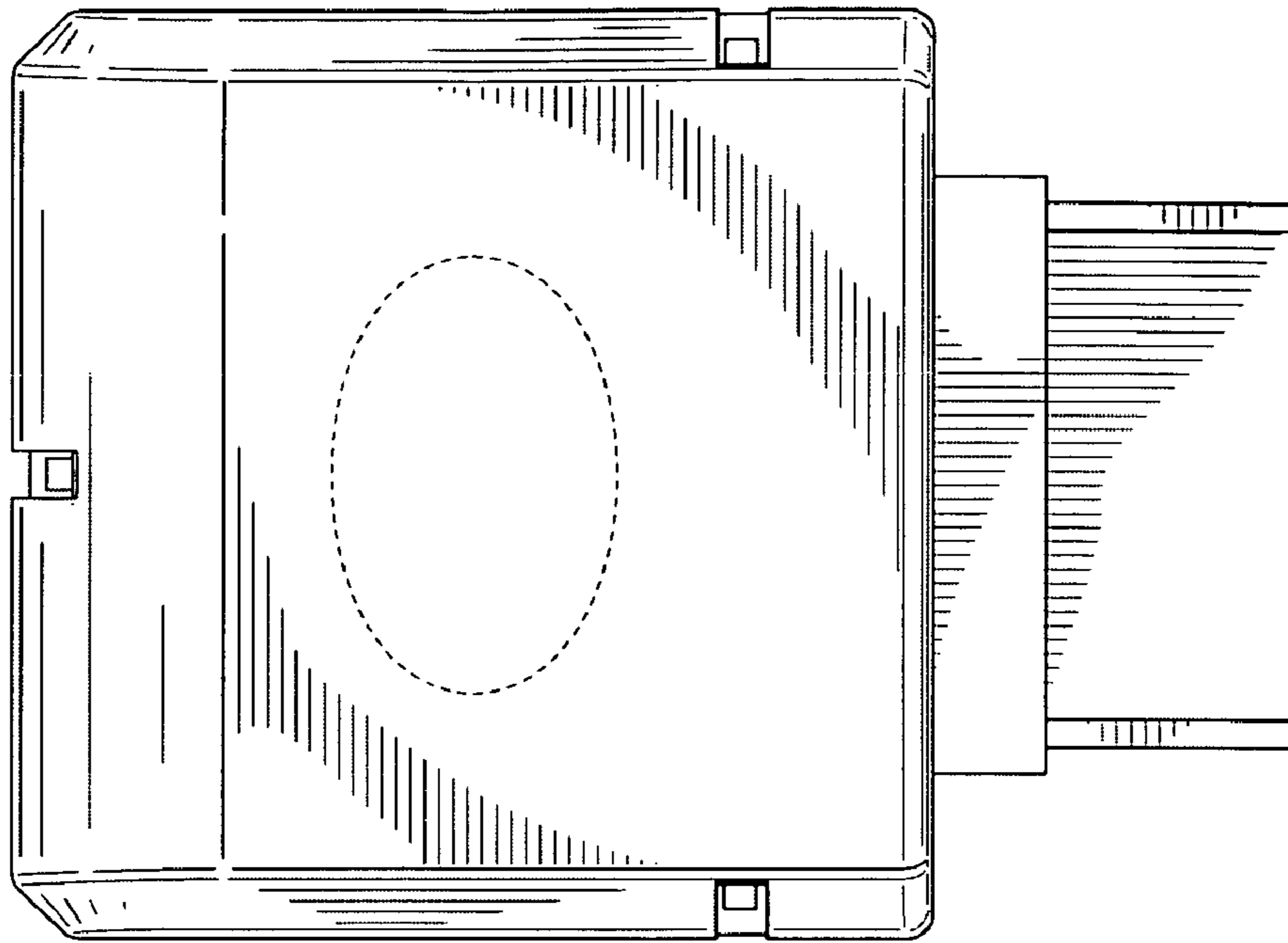


FIG. 2

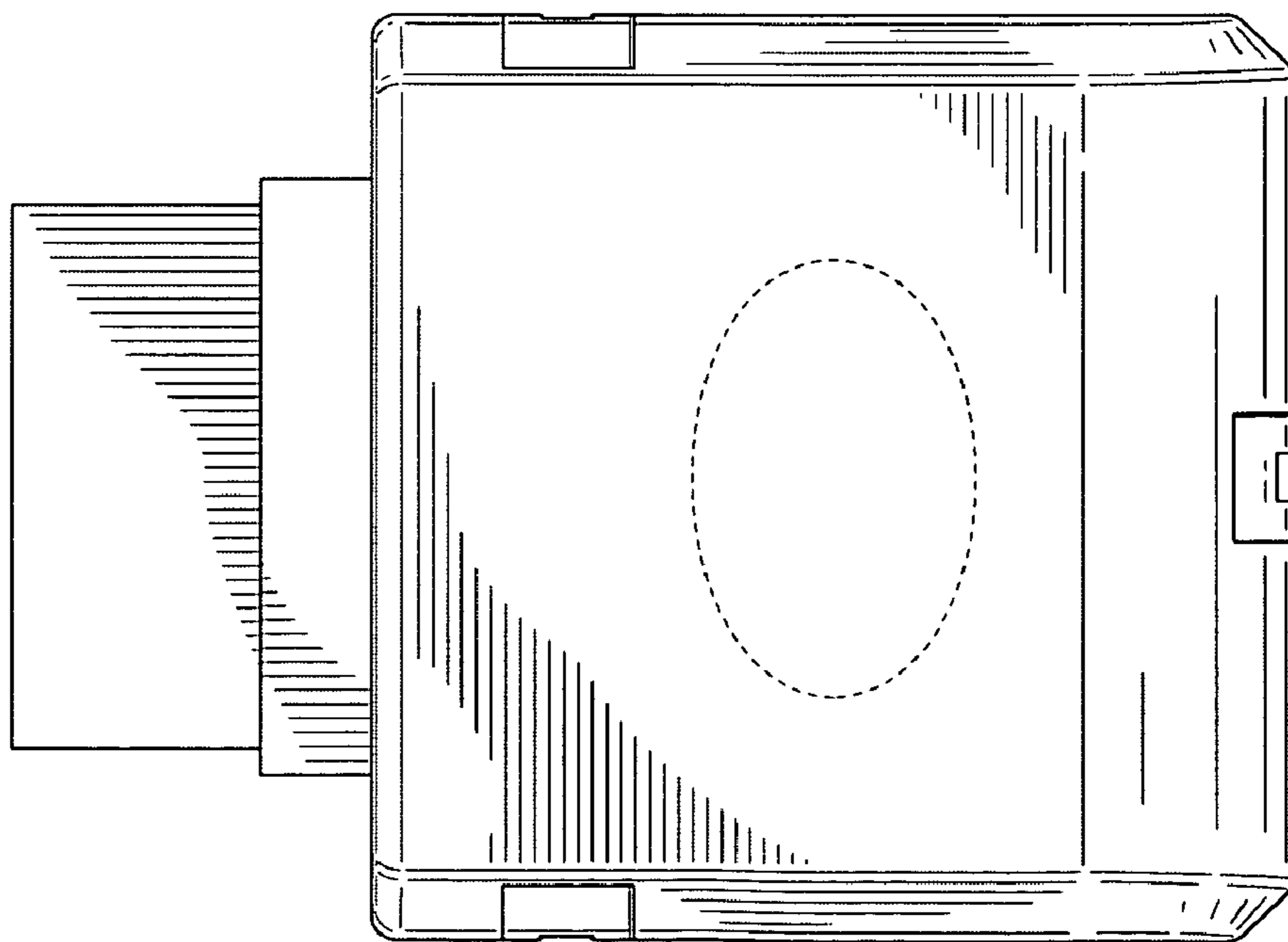
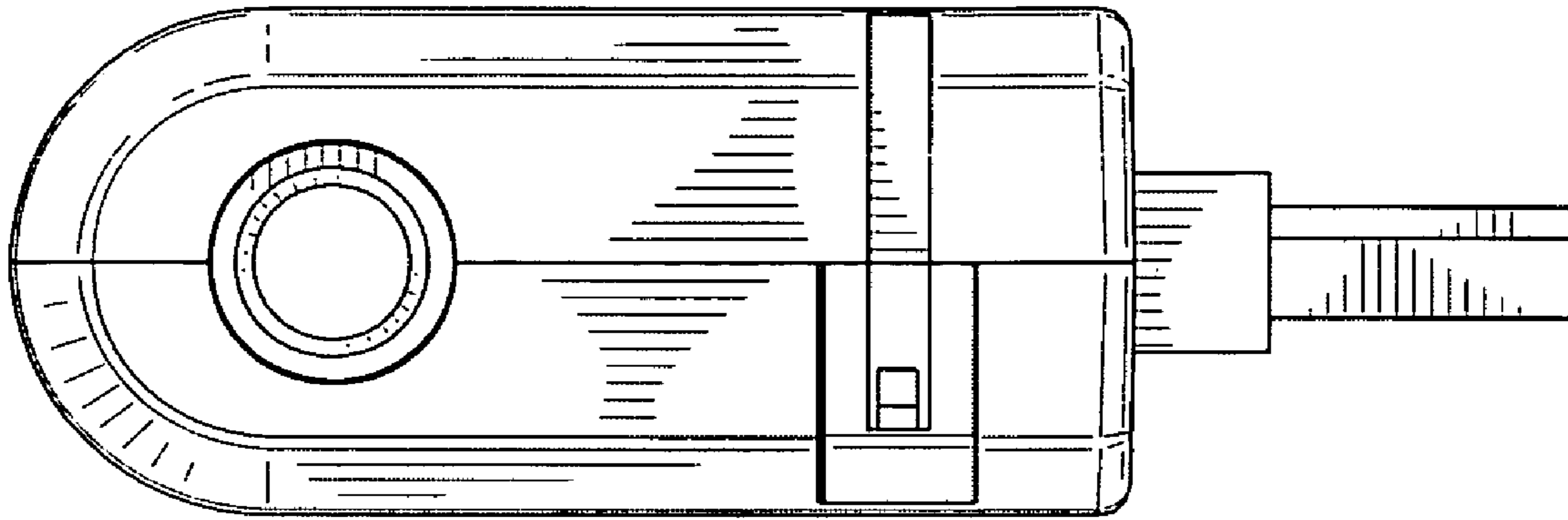
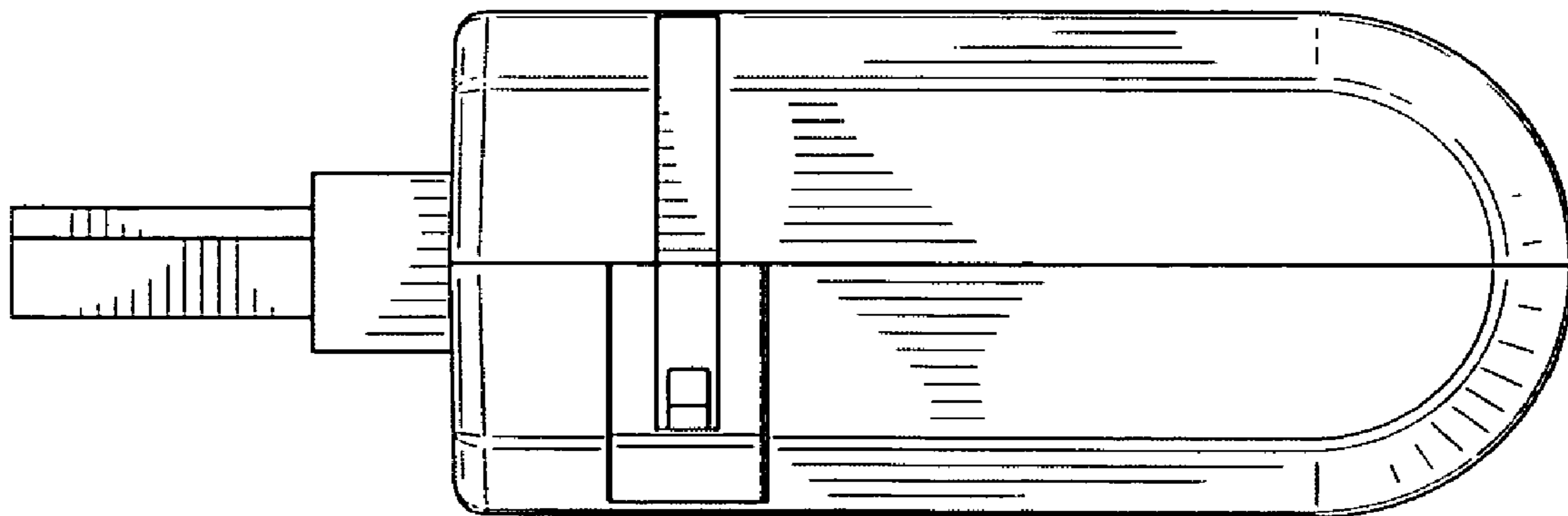


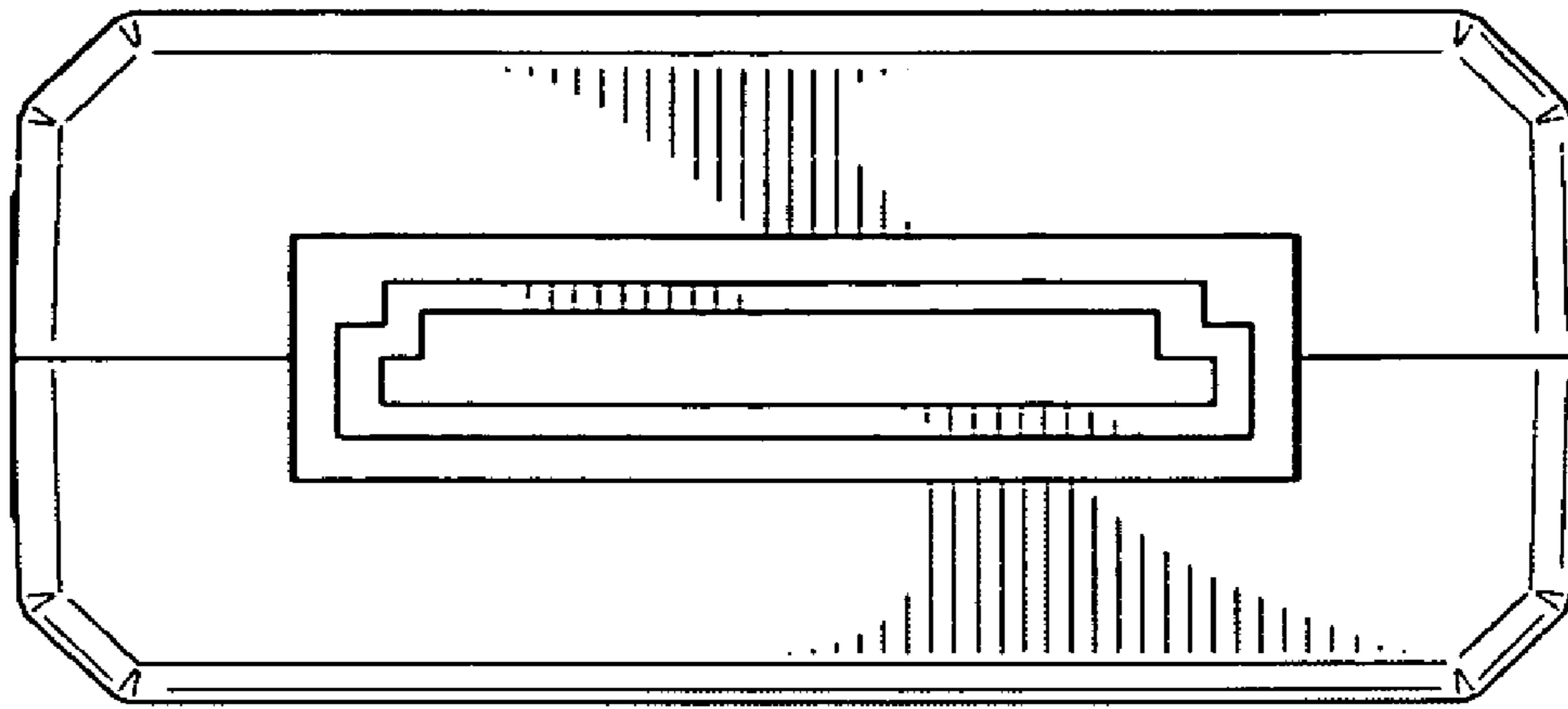
FIG. 3



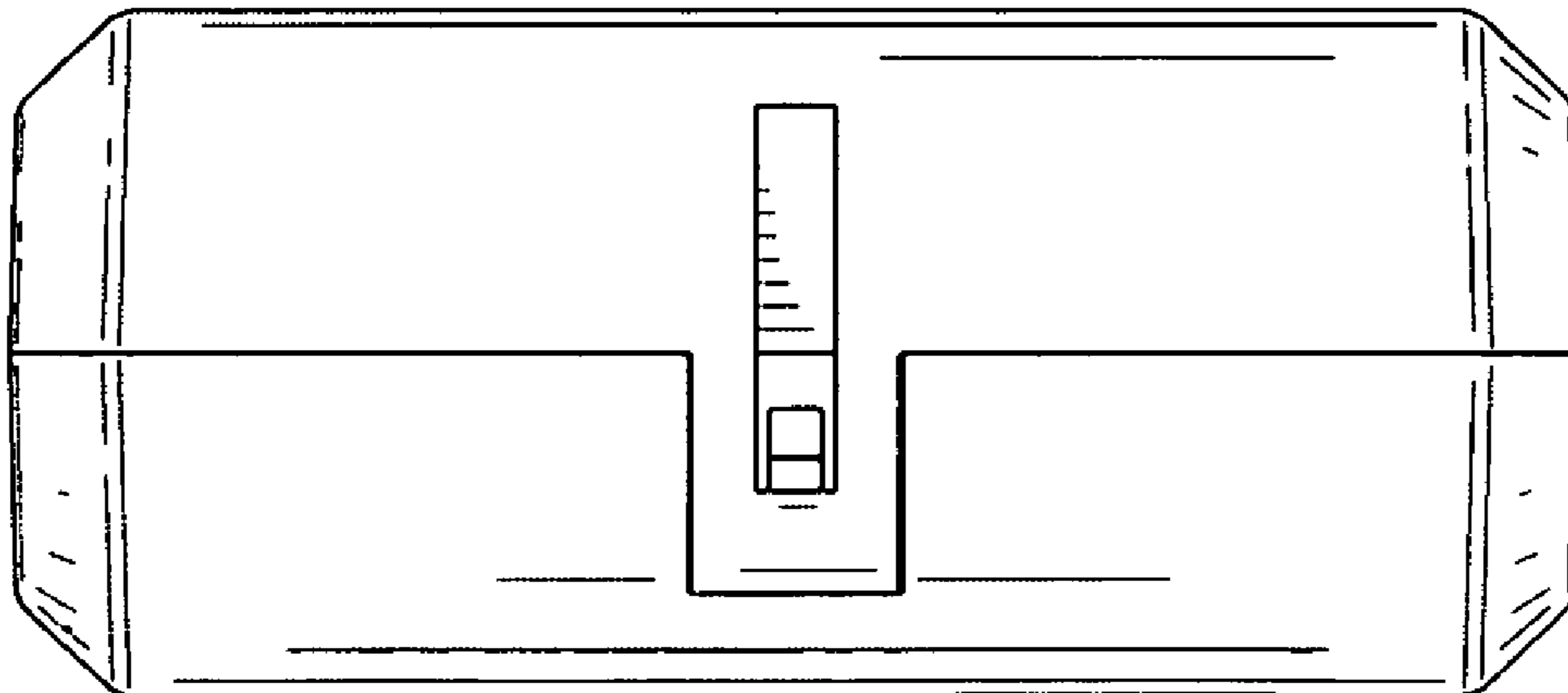
**FIG. 4**



**FIG. 5**



**FIG. 6**



**FIG. 7**