



US00D618223S

(12) **United States Design Patent**  
**Tsai et al.**

(10) **Patent No.:** **US D618,223 S**  
(45) **Date of Patent:** **\*\* Jun. 22, 2010**

(54) **ANTENNA**

(75) Inventors: **Yung-Chih Tsai**, Tu-Cheng (TW);  
**Jia-Hung Su**, Tu-Cheng (TW); **Kai Shih**, Tu-Cheng (TW)

(73) Assignee: **Cheng Uei Precision Industry Co., Ltd.**, Tu-Cheng, Taipei Hsien (TW)

(\*\*) Term: **14 Years**

(21) Appl. No.: **29/351,026**

(22) Filed: **Nov. 28, 2009**

(51) **LOC (9) Cl.** ..... **14-03**

(52) **U.S. Cl.** ..... **D14/230**

(58) **Field of Classification Search** ..... D14/138,  
D14/230-238, 299, 358; D12/42, 43; 343/700 MS,  
343/700 R-705, 711-713, 741, 748, 767,  
343/795, 819, 840, 846, 866, 871-908; 455/90.2,  
455/90.3, 91, 128, 269, 344, 347, 562.1;  
333/193, 195

See application file for complete search history.

(56) **References Cited**

**U.S. PATENT DOCUMENTS**

7,148,849 B2 \* 12/2006 Lin ..... 343/700 MS  
D581,402 S \* 11/2008 Wu et al. .... D14/230  
D588,115 S \* 3/2009 Yoshioka ..... D14/230  
D588,587 S \* 3/2009 Hellgren ..... D14/230  
D606,055 S \* 12/2009 Wu et al. .... D14/230  
2005/0264447 A1 \* 12/2005 Shan ..... 343/700 MS

2005/0275592 A1 \* 12/2005 Chung et al. .... 343/700 MS  
2008/0079635 A1 \* 4/2008 Rowell ..... 343/700 MS  
2008/0106471 A1 \* 5/2008 Yeh ..... 343/700 MS  
2008/0136711 A1 \* 6/2008 Lai et al. .... 343/700 MS  
2008/0143626 A1 \* 6/2008 Kim et al. .... 343/787  
2008/0150829 A1 \* 6/2008 Lin et al. .... 343/860  
2008/0158065 A1 \* 7/2008 Wee ..... 343/700 MS  
2009/0002244 A1 \* 1/2009 Woo ..... 343/702  
2009/0179803 A1 \* 7/2009 Tsai et al. .... 343/700 MS  
2009/0243935 A1 \* 10/2009 Huang et al. .... 343/700 MS

\* cited by examiner

*Primary Examiner*—T. Chase Nelson

*Assistant Examiner*—John Windmuller

(74) *Attorney, Agent, or Firm*—Cheng-Ju Chiang

(57) **CLAIM**

The ornamental design for an antenna, as shown and described.

**DESCRIPTION**

FIG. 1 is a perspective view of an antenna showing our new design;

FIG. 2 is a front elevational view thereof;

FIG. 3 is a rear elevational view thereof;

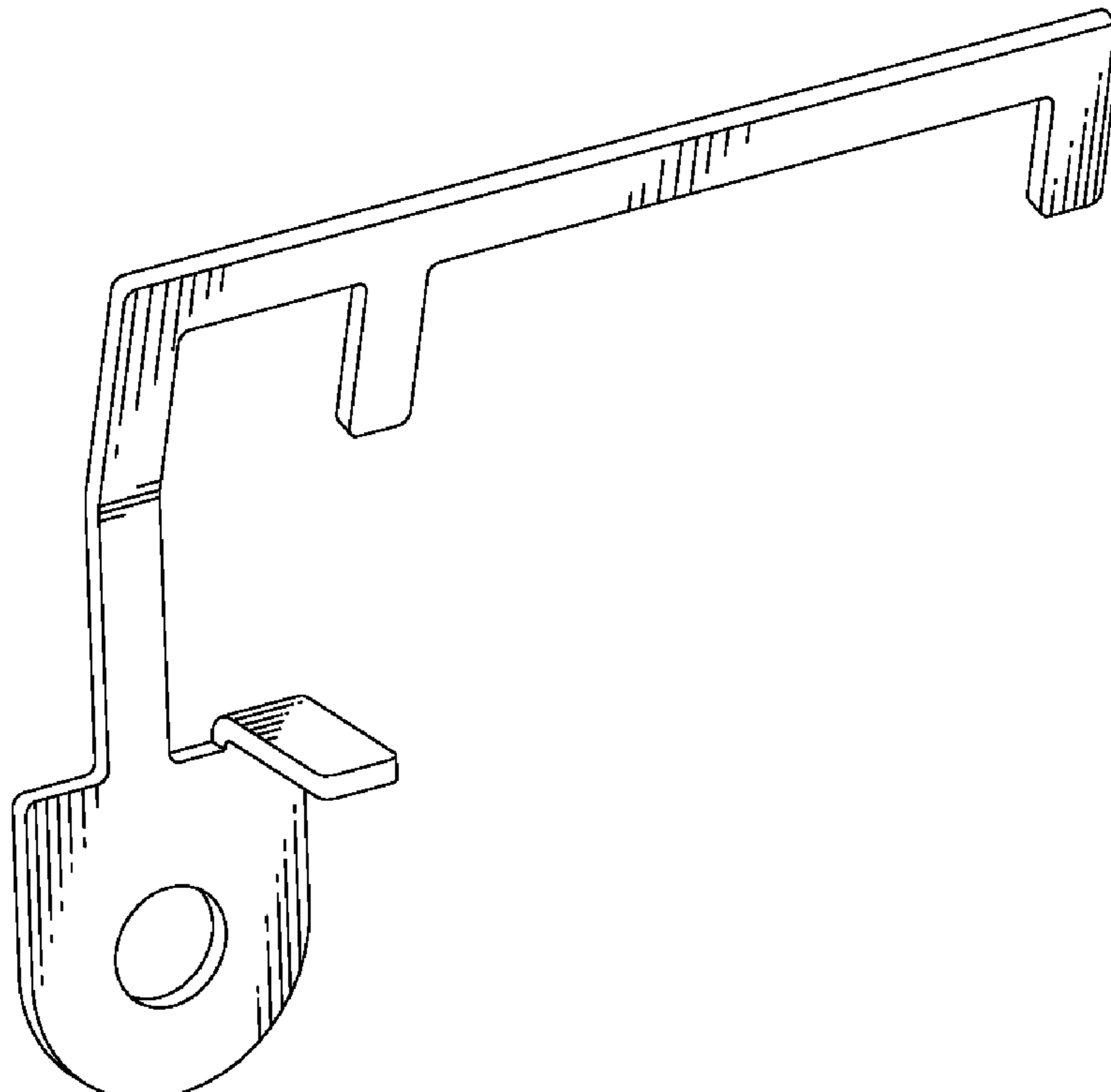
FIG. 4 is a left side elevational view thereof;

FIG. 5 is a right side elevational view thereof;

FIG. 6 is a top plan view thereof; and,

FIG. 7 is a bottom plan view thereof.

**1 Claim, 7 Drawing Sheets**



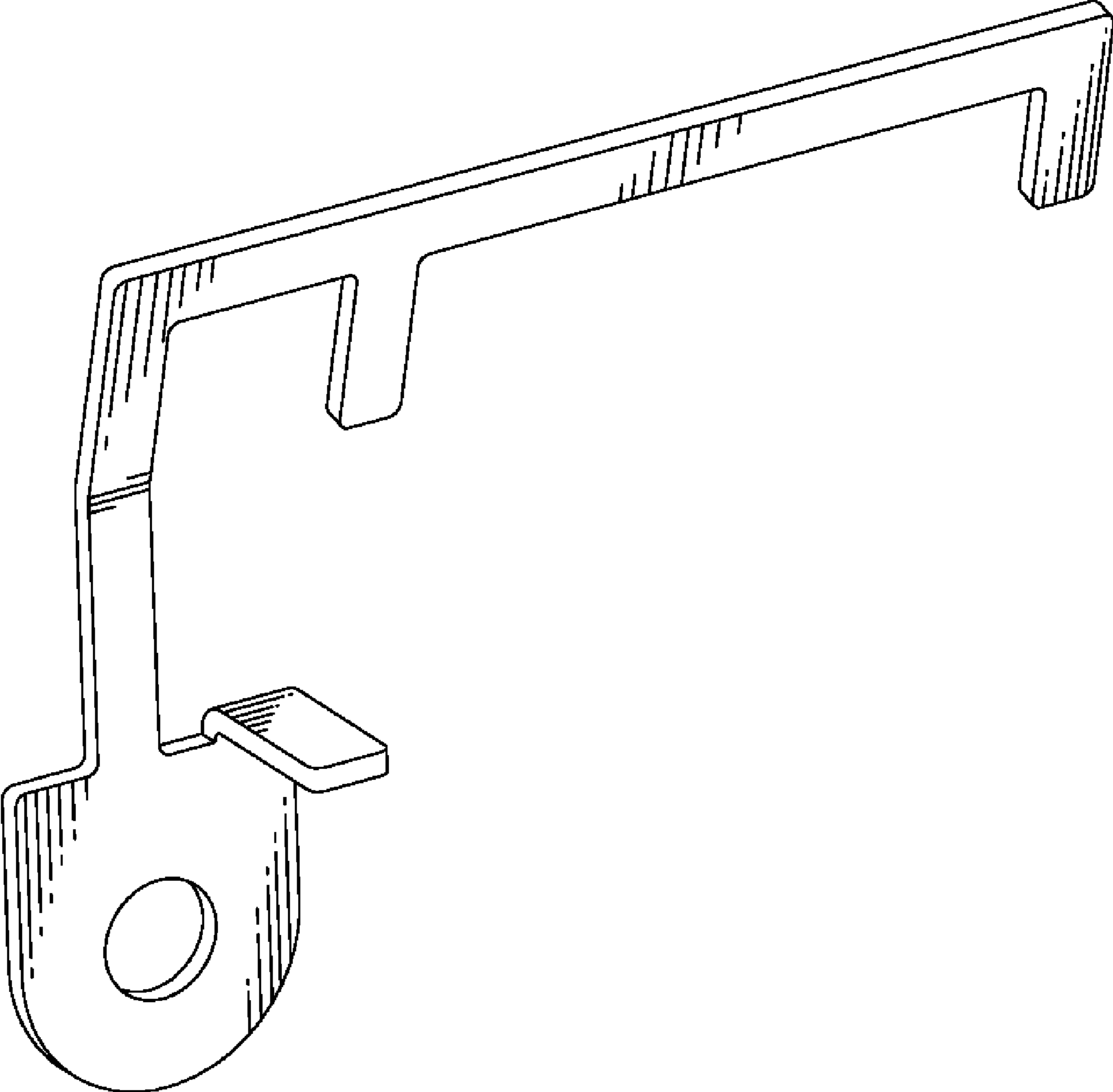


FIG. 1

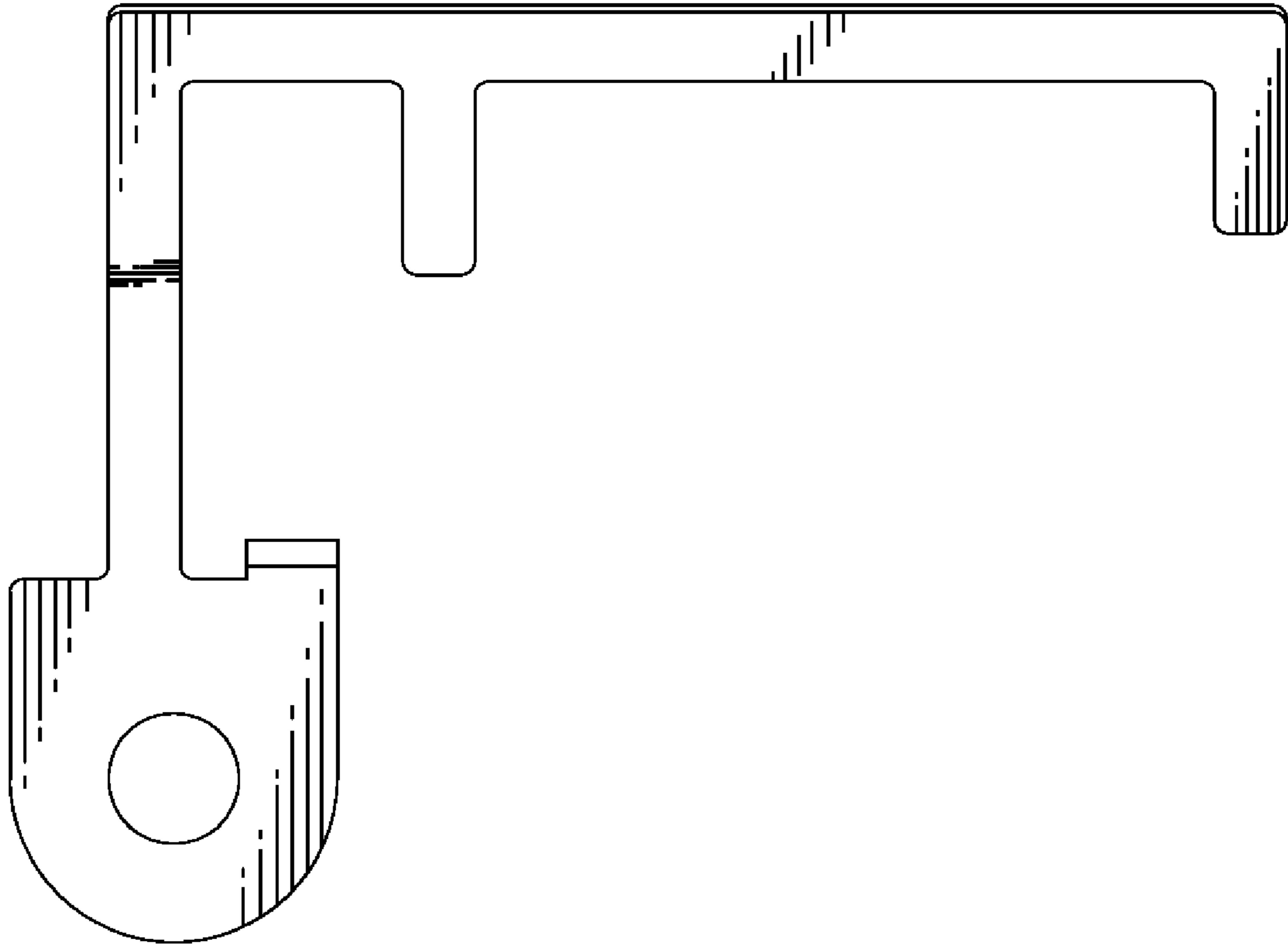


FIG. 2

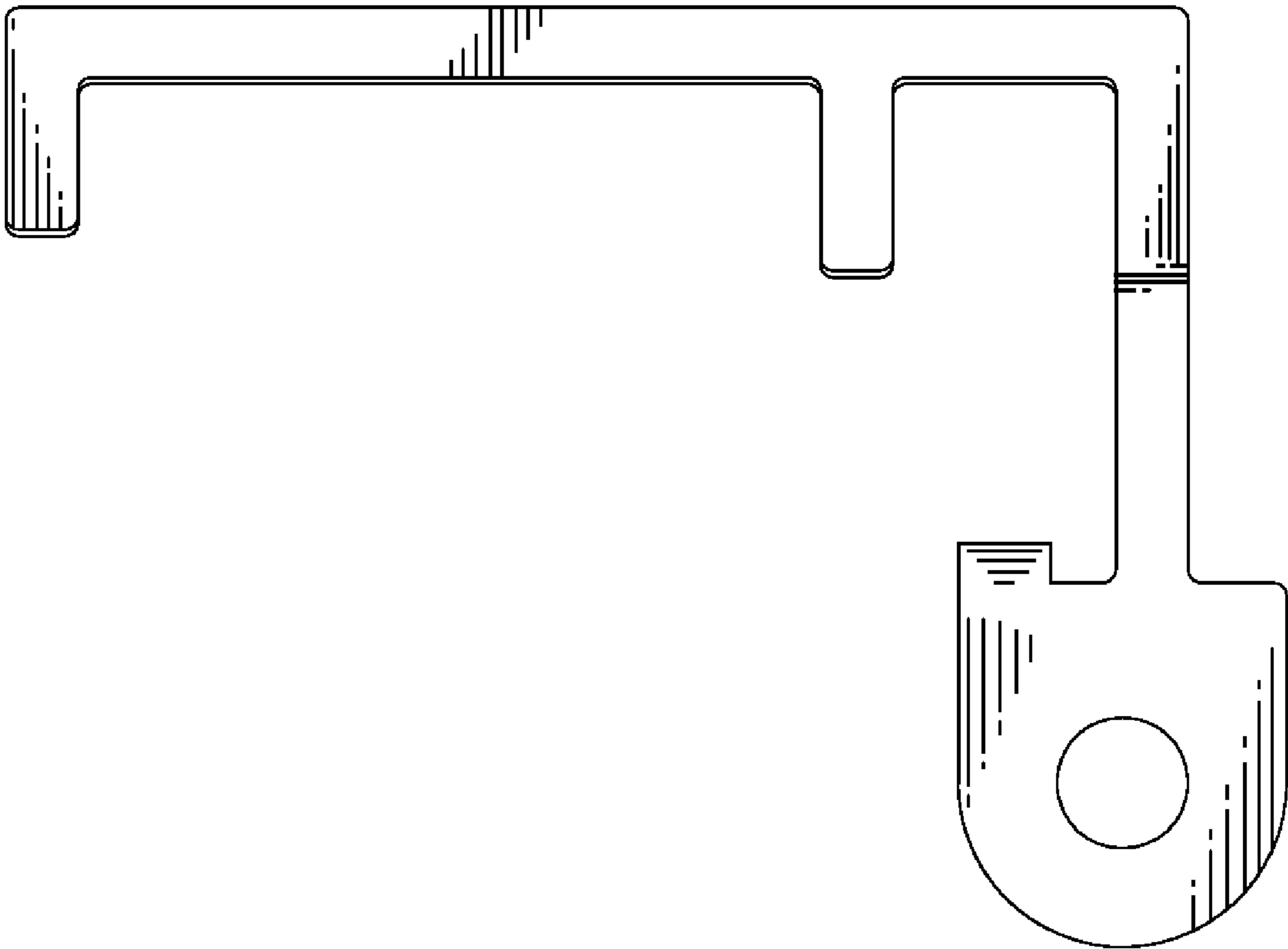


FIG. 3

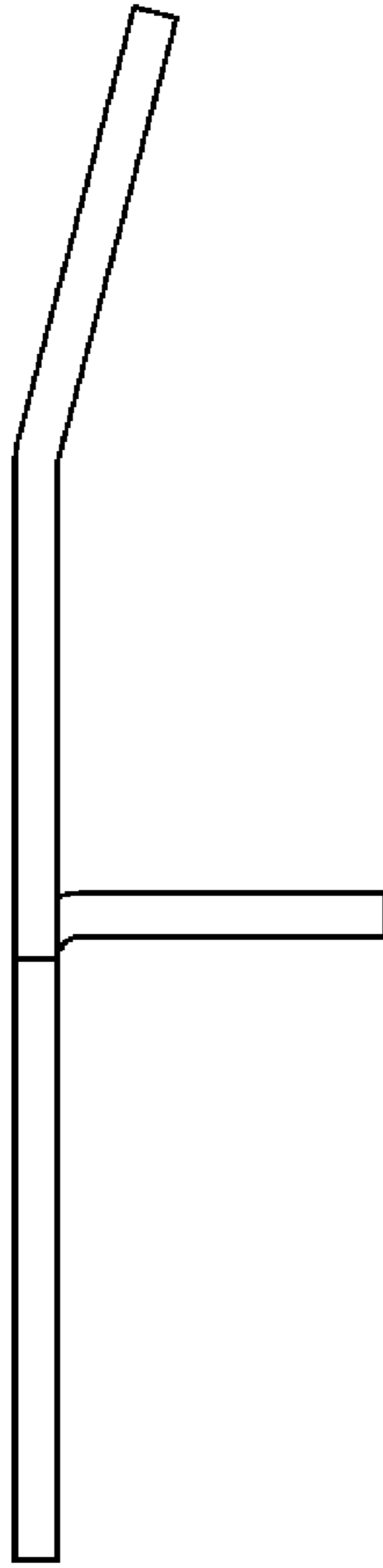


FIG. 4

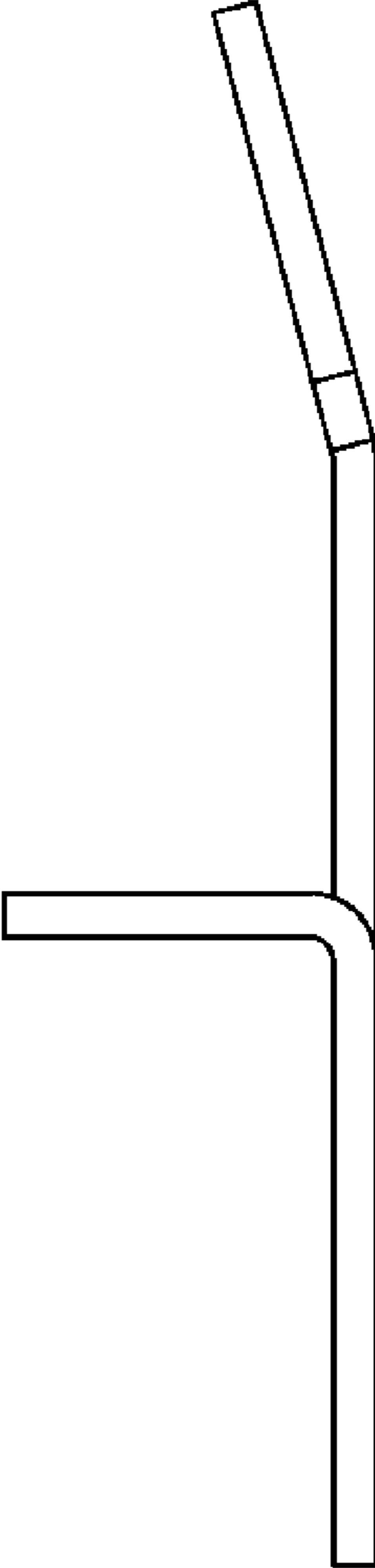


FIG. 5

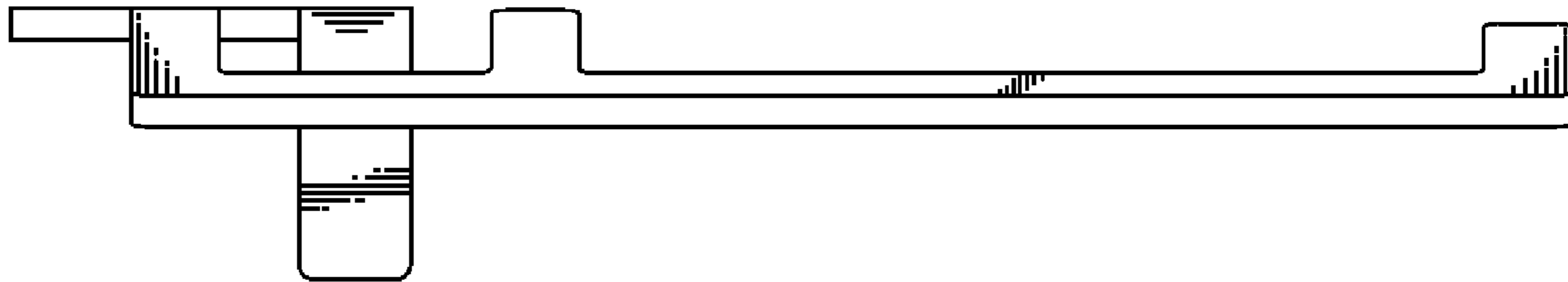


FIG. 6

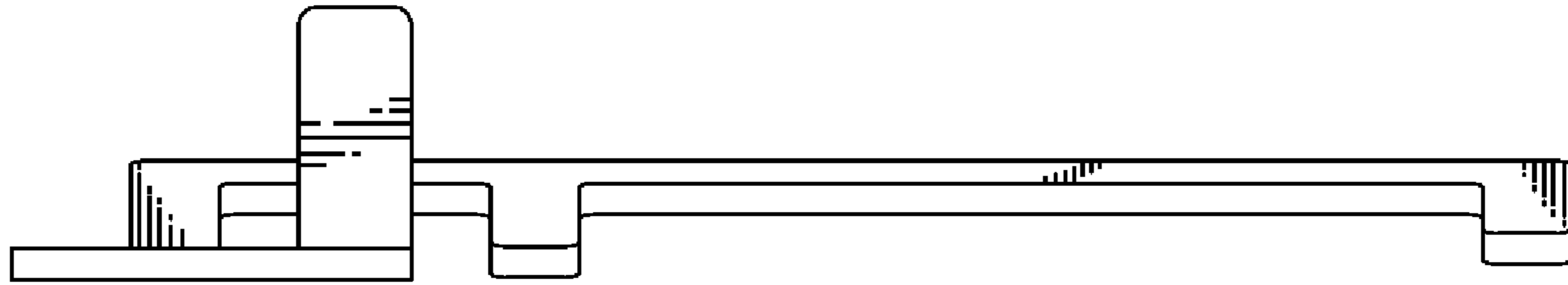


FIG. 7