



US00D618222S

(12) **United States Design Patent**  
**Kallas et al.**

(10) **Patent No.:** **US D618,222 S**  
(45) **Date of Patent:** **\*\* Jun. 22, 2010**

(54) **EQUIPMENT STAND**

(75) Inventors: **Ryan Kallas**, Paulsbo, WA (US); **J. Herschel Blankenship**, Bainbridge Island, WA (US)

(73) Assignee: **Music Express, LLC**, Bainbridge Island, WA (US)

(\*\*) Term: **14 Years**

(21) Appl. No.: **29/340,621**

(22) Filed: **Jul. 22, 2009**

(51) **LOC (9) Cl.** ..... **14-01**

(52) **U.S. Cl.** ..... **D14/229**

(58) **Field of Classification Search** ..... D14/225,  
D14/226, 229; D8/355, 394, 396; D17/22;  
D16/248; 84/730; 381/365, 368; 248/55,  
248/57, 183.1, 183.2, 278.11, 229.12, 229.15,  
248/229.25, 289.31, 278.1

See application file for complete search history.

(56) **References Cited**

U.S. PATENT DOCUMENTS

1,688,148	A *	10/1928	Martin	.....	248/229.12
2,298,176	A *	10/1942	Schwartz	.....	403/77
2,362,100	A *	11/1944	Schwartz	.....	403/57
2,434,440	A *	1/1948	Schafraanck	.....	248/689
3,128,982	A *	4/1964	Christopher	.....	248/183.2
3,278,207	A *	10/1966	Barish et al.	.....	403/55
D227,742	S *	7/1973	Logdson	.....	D8/354
4,226,550	A *	10/1980	Kupcak et al.	.....	403/157
4,492,488	A *	1/1985	Warshawsky	.....	403/113
D291,650	S *	9/1987	Monzen	.....	D24/128
D305,026	S	12/1989	Wolf		
5,118,058	A *	6/1992	Richter	.....	248/183.2
D415,017	S *	10/1999	Lo	.....	D8/396
6,570,992	B1	5/2003	Folan		
D507,591	S	7/2005	Kamijima et al.		

6,922,475	B2	7/2005	Hsieh		
7,100,881	B2 *	9/2006	Worrall	.....	248/278.1
D548,729	S	8/2007	Miller		
D579,928	S	11/2008	Murata		

OTHER PUBLICATIONS

[http://www.supplierlist.com/product\\_view/nbyte/144773/100701\\_/rubber\\_barrel\\_microphone\\_holder.htm](http://www.supplierlist.com/product_view/nbyte/144773/100701_/rubber_barrel_microphone_holder.htm); Model No. TYA-01, Rubber Barrel Microphone Holder 2 pages; printed Nov. 25, 2009.

<http://www.radioshack.com/product/index.jsp?productId=2102932>; Jumbo-Size Heavy-Duty Microphone Holder, Model: 33-4009, Catalog#:33-4009' 3 pages; printed Nov. 25, 2009.

\* cited by examiner

*Primary Examiner*—Paula Greene

(74) *Attorney, Agent, or Firm*—J. Bennett Mullinax, LLC

(57) **CLAIM**

The ornamental design for an equipment stand, as shown and described.

**DESCRIPTION**

FIG. 1 is a front perspective view of the equipment stand showing our new design;

FIG. 2 is a rear elevation view of the equipment stand as shown in FIG. 1;

FIG. 3 is a front elevation view of the equipment stand as shown in FIG. 1;

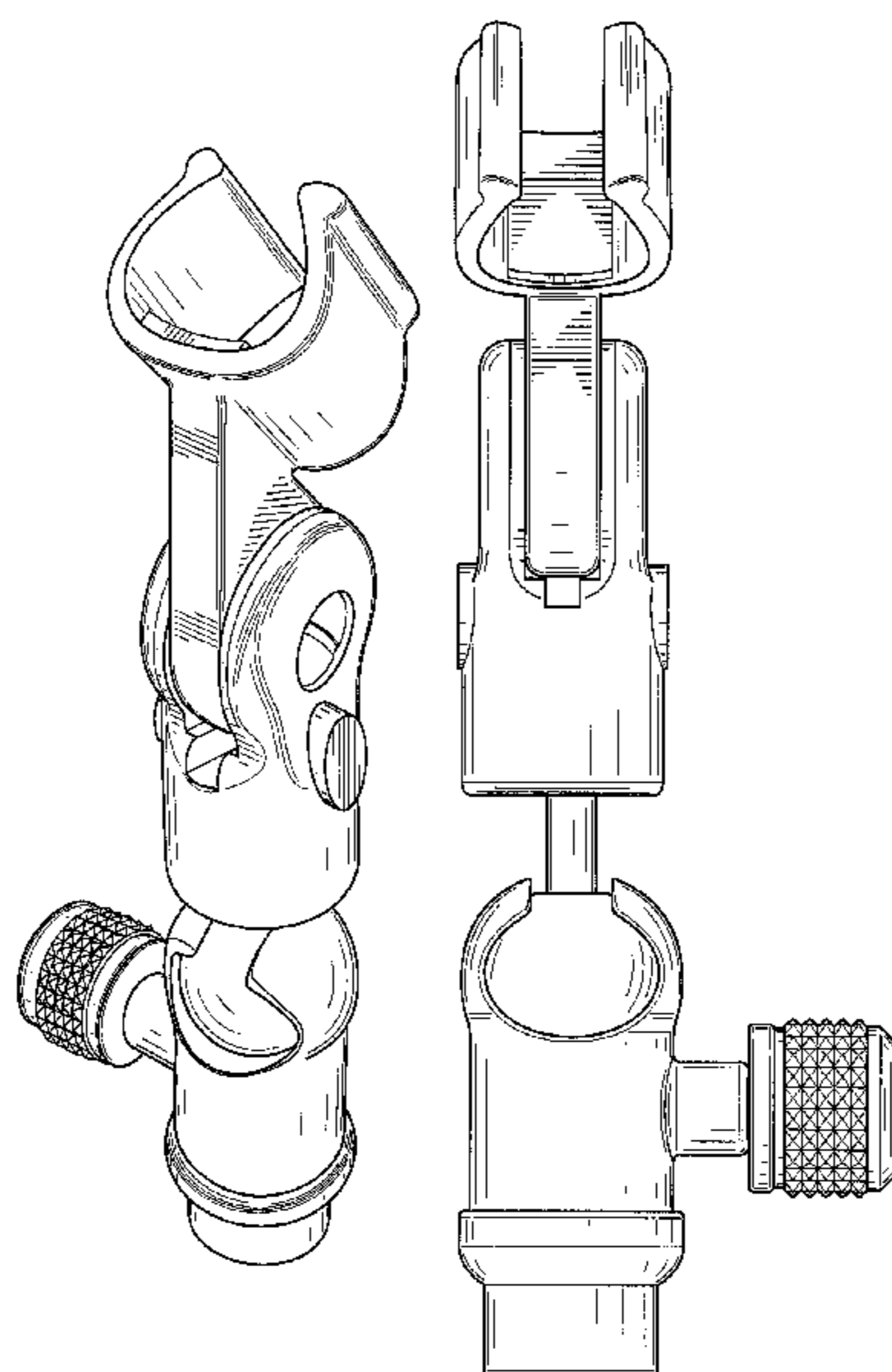
FIG. 4 is a top plan view of the equipment stand as shown in FIG. 1;

FIG. 5 is a bottom plan view of the equipment stand as shown in FIG. 1;

FIG. 6 is a left side elevation view of the equipment stand as shown in FIG. 1; and,

FIG. 7 is a right side elevation view of the equipment stand as shown in FIG. 1.

**1 Claim, 7 Drawing Sheets**



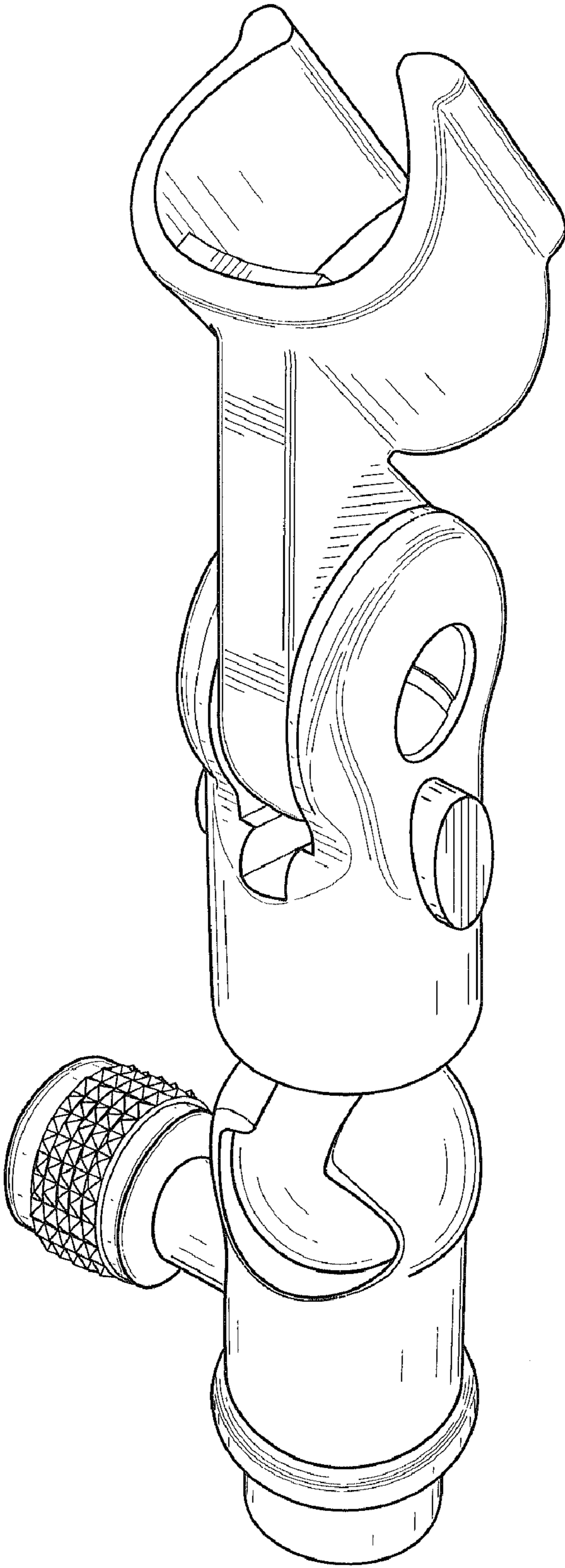


FIG. 1

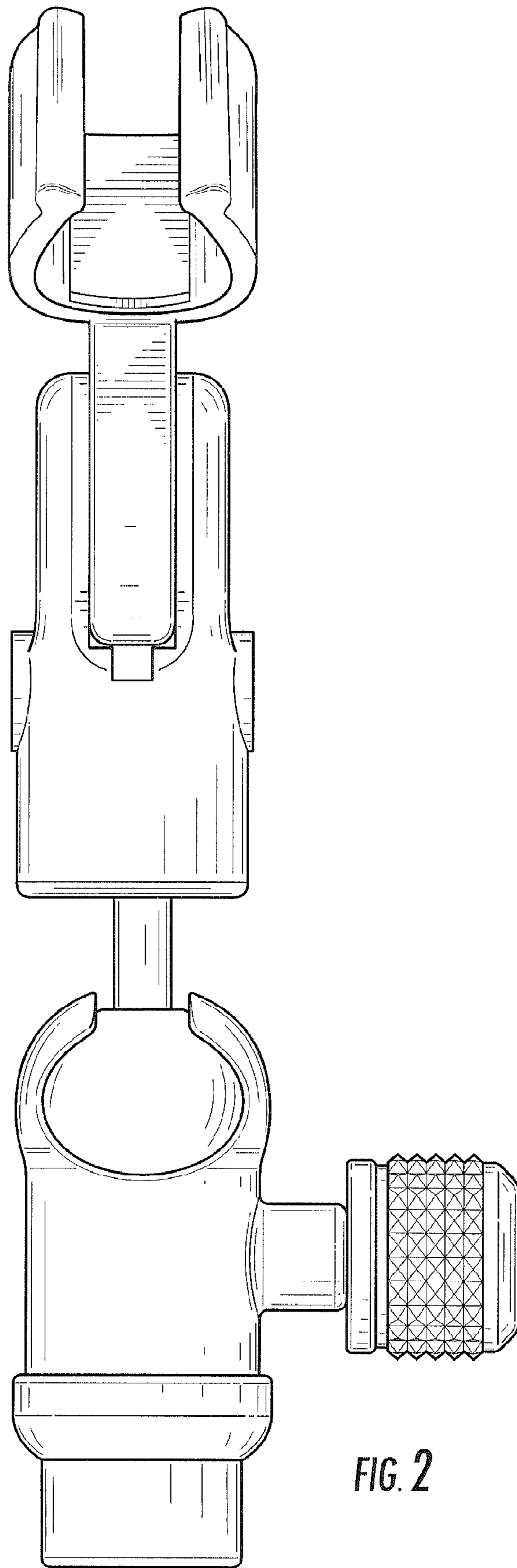


FIG. 2

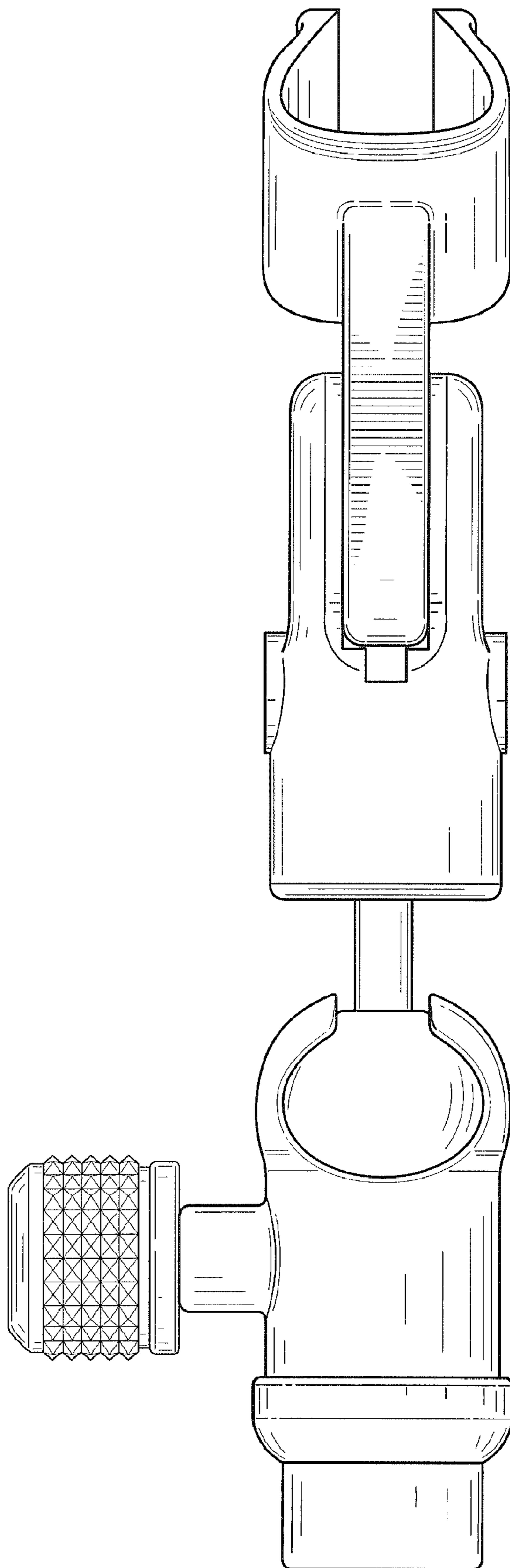
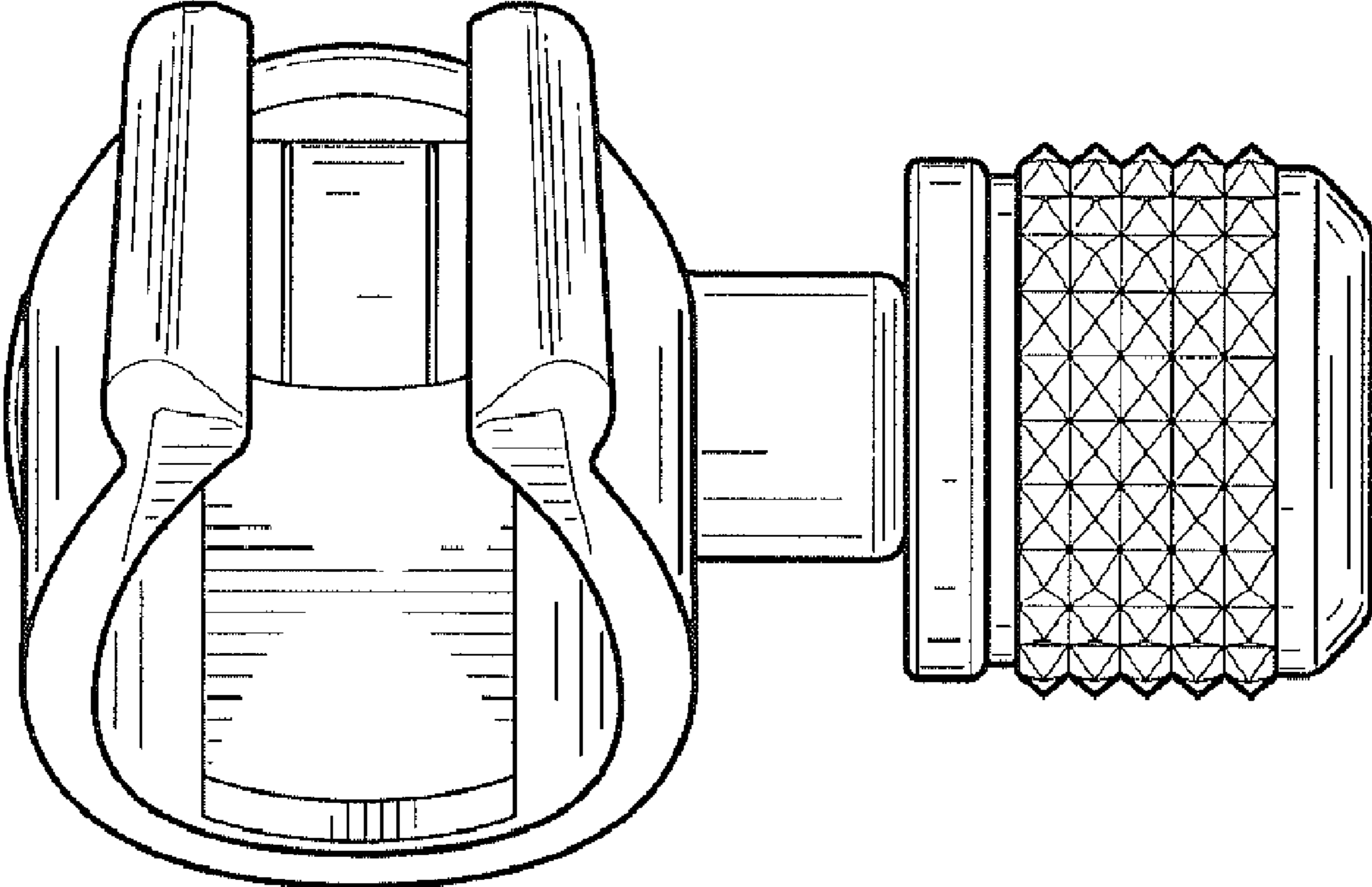
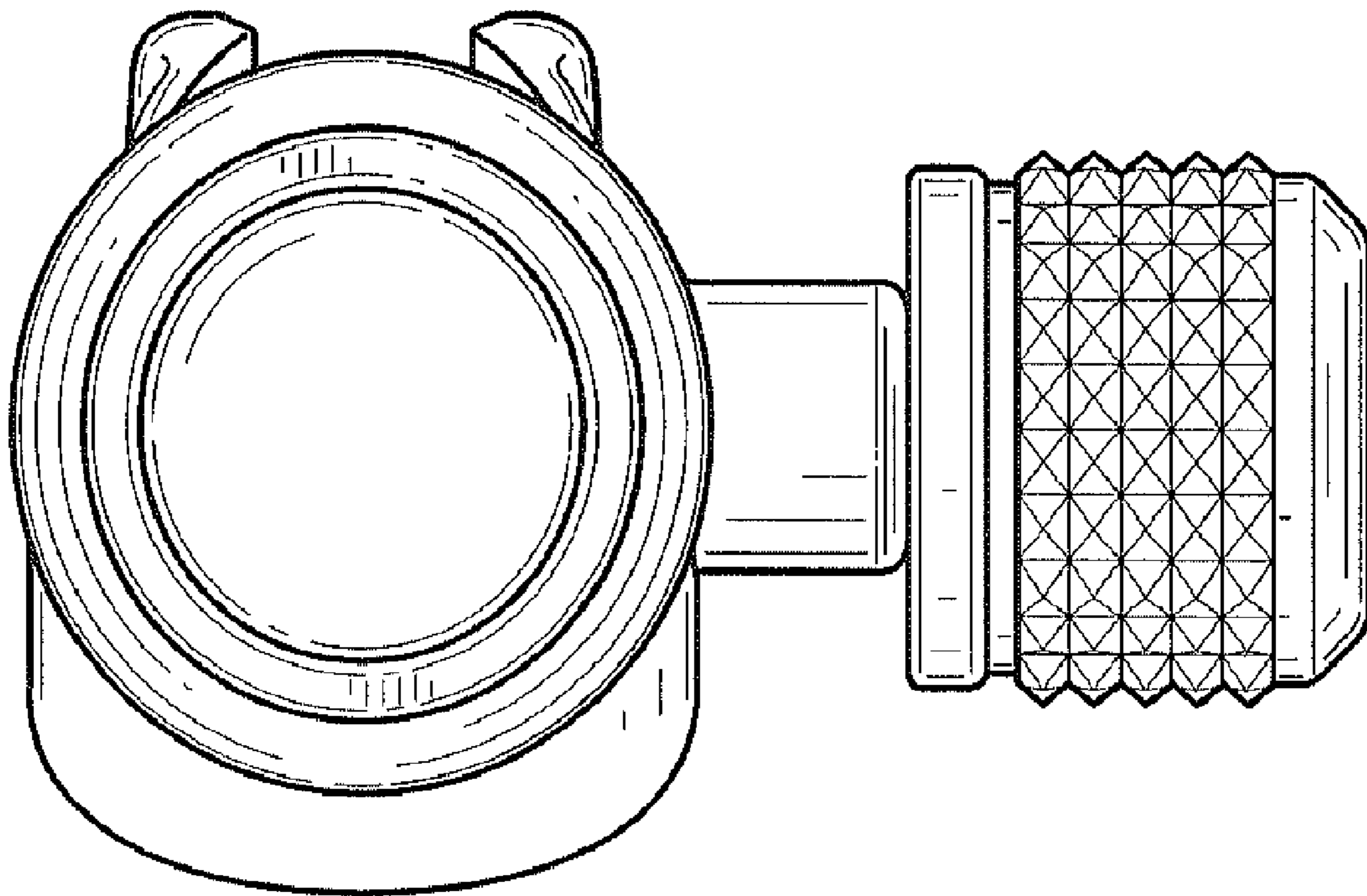


FIG. 3



**FIG. 4**



*FIG. 5*

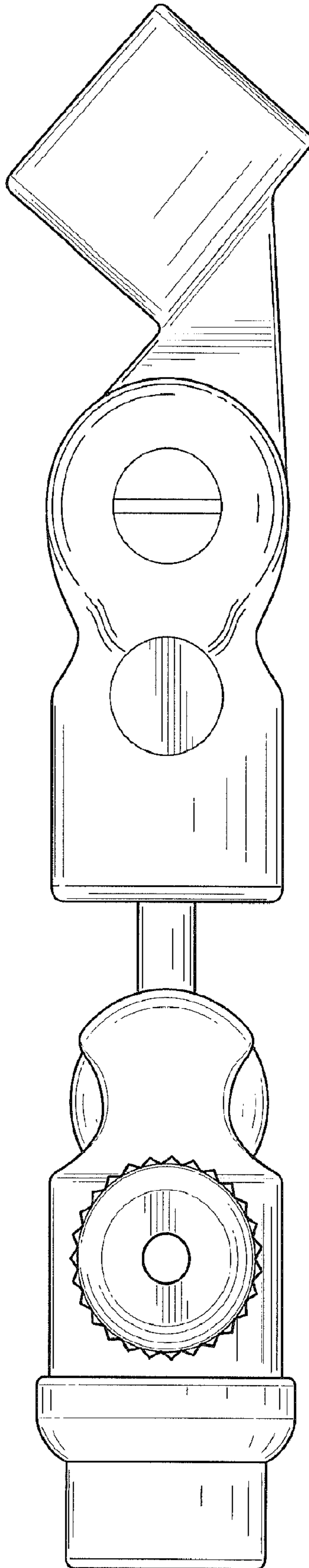


FIG. 6

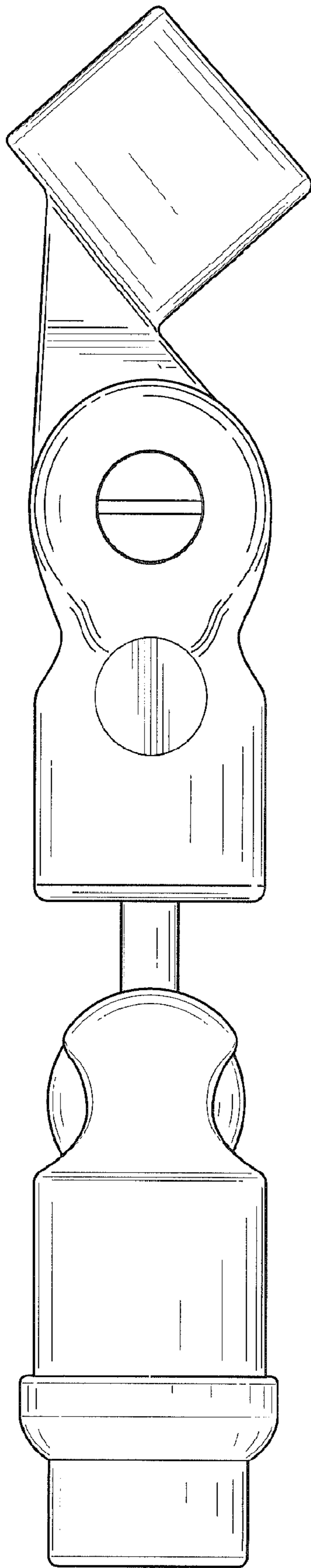


FIG. 7