



US00D618221S

(12) **United States Design Patent**
Fahrendorff et al.

(10) **Patent No.:** **US D618,221 S**
(45) **Date of Patent:** **** Jun. 22, 2010**

(54) **HEADSET**

(75) Inventors: **Anders Fahrendorff**, Ottawa (CA);
Todd Andrew Wood, Guelph (CA)

(73) Assignee: **Research In Motion Limited**, Waterloo
(CA)

(**) Term: **14 Years**

(21) Appl. No.: **29/341,116**

(22) Filed: **Jul. 30, 2009**

(51) **LOC (9) Cl.** **14-01**

(52) **U.S. Cl.** **D14/223**

(58) **Field of Classification Search** D14/205,
D14/206, 223, 142, 192, 188, 138 AA, 138 AB;
181/129, 130; 381/380, 381, 379, 377, 376,
381/374; 379/430, 433.01, 433.02, 433.03,
379/433.04, 433.11; 455/90.1, 90.2, 575.1,
455/575.2; D24/173, 174

See application file for complete search history.

(56) **References Cited**

U.S. PATENT DOCUMENTS

D508,485 S * 8/2005 Katsumata D14/223
D512,991 S * 12/2005 Yano D14/223
D517,054 S * 3/2006 Yang D14/223
D520,497 S * 5/2006 Yang D14/223
D526,313 S * 8/2006 Murray D14/223
D533,540 S * 12/2006 Murray D14/205

D538,271 S * 3/2007 Kim et al. D14/223
D550,658 S * 9/2007 Wang D14/223
D555,151 S * 11/2007 Eklund D14/223
D574,366 S * 8/2008 Sade et al. D14/223
D581,396 S * 11/2008 Wikel et al. D14/206
D582,897 S * 12/2008 Christopher et al. D14/223
D602,007 S * 10/2009 Lee et al. D14/223
D603,378 S * 11/2009 Paradise D14/223
D604,722 S * 11/2009 Mistry D14/223
D609,695 S * 2/2010 Cigliano et al. D14/205

* cited by examiner

Primary Examiner—Paula Greene

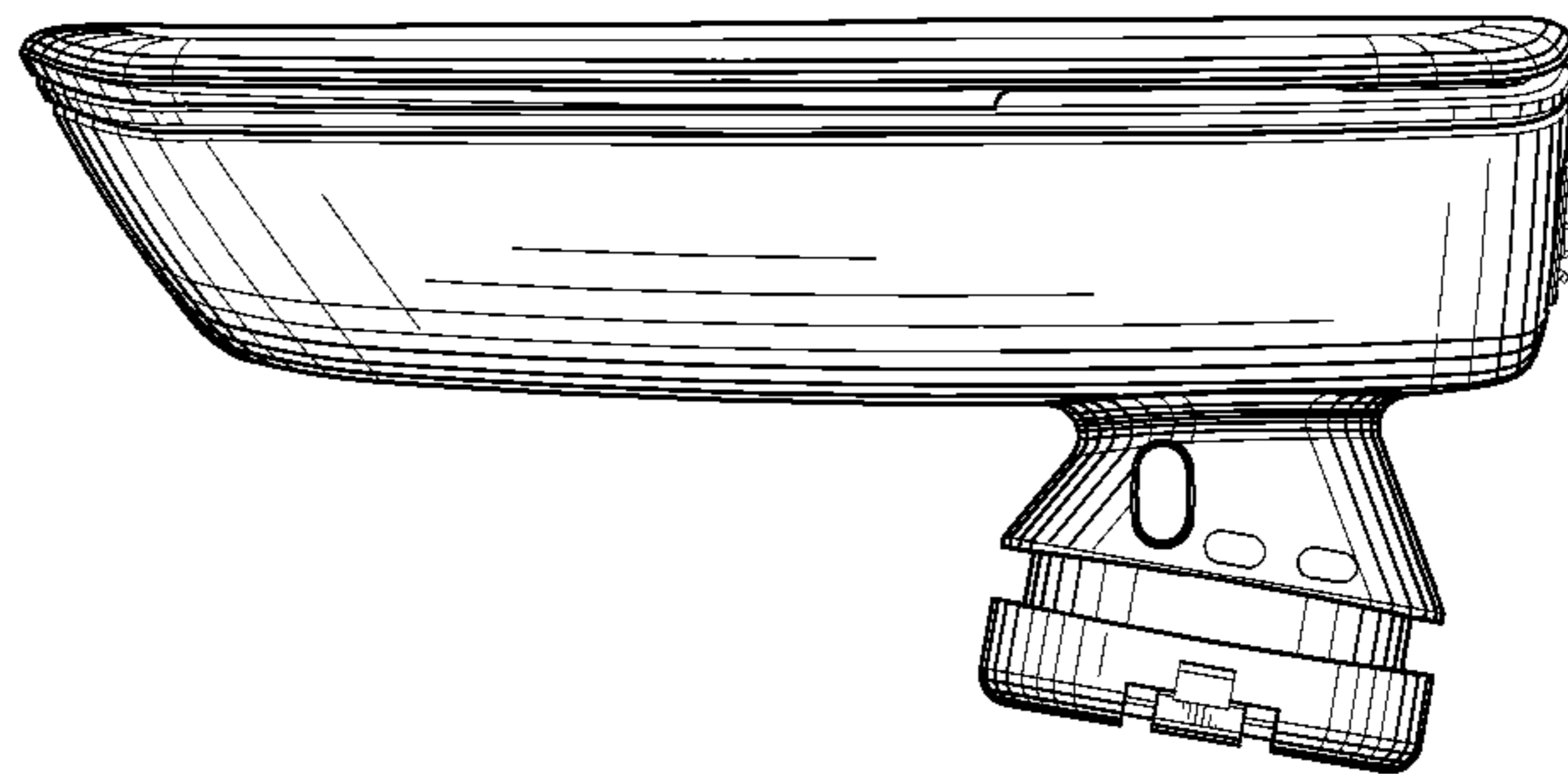
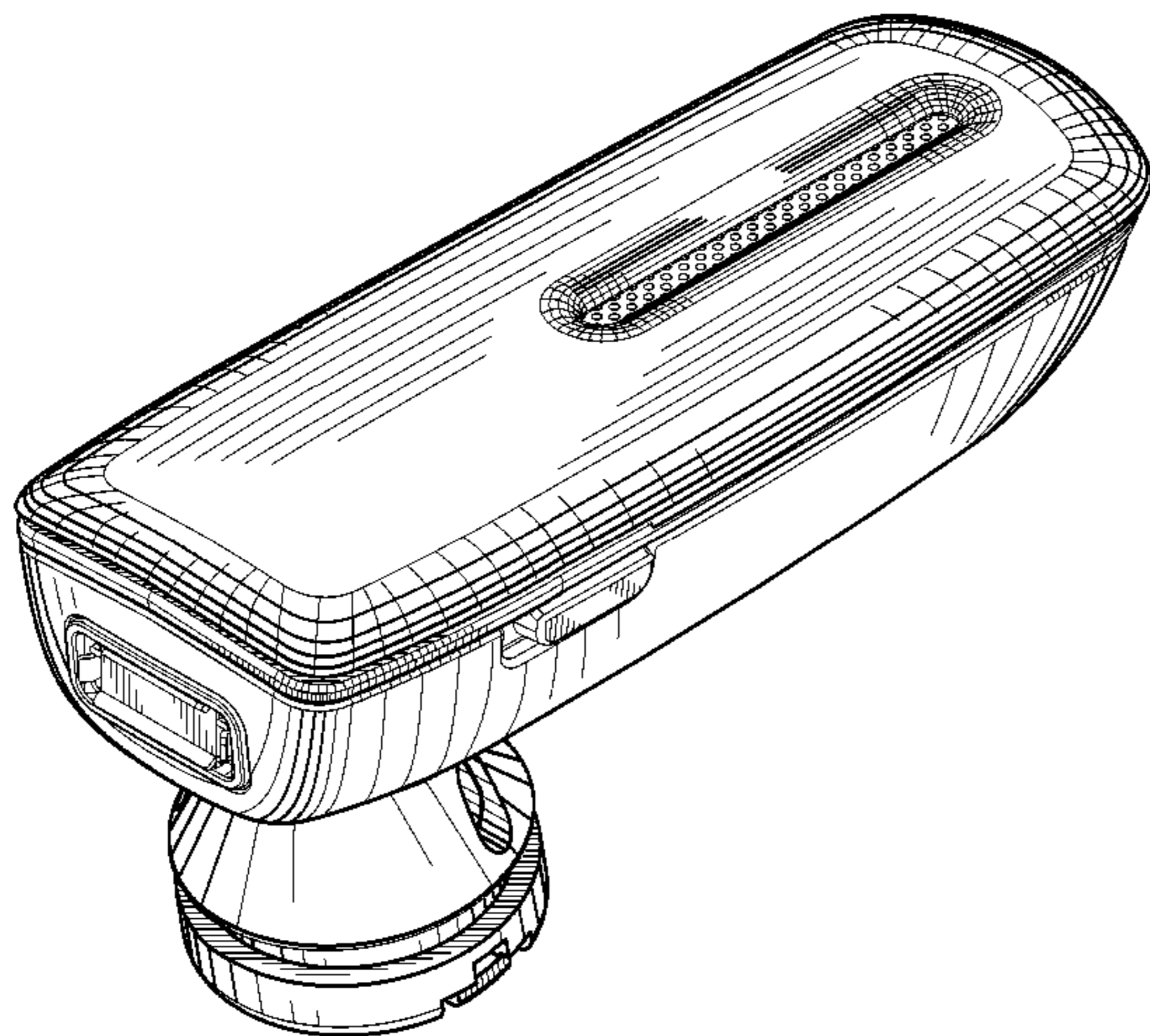
(57) **CLAIM**

We claim the ornamental design for a headset, as shown and described.

DESCRIPTION

FIG. 1 is a front perspective view of a headset;
FIG. 2 is a back perspective view of the headset;
FIG. 3 is a top plan view thereof;
FIG. 4 is a bottom plan view thereof;
FIG. 5 is a left elevational view thereof;
FIG. 6 is a right elevational view thereof;
FIG. 7 is a front plan view thereof; and,
FIG. 8 is a back plan view thereof.

1 Claim, 4 Drawing Sheets



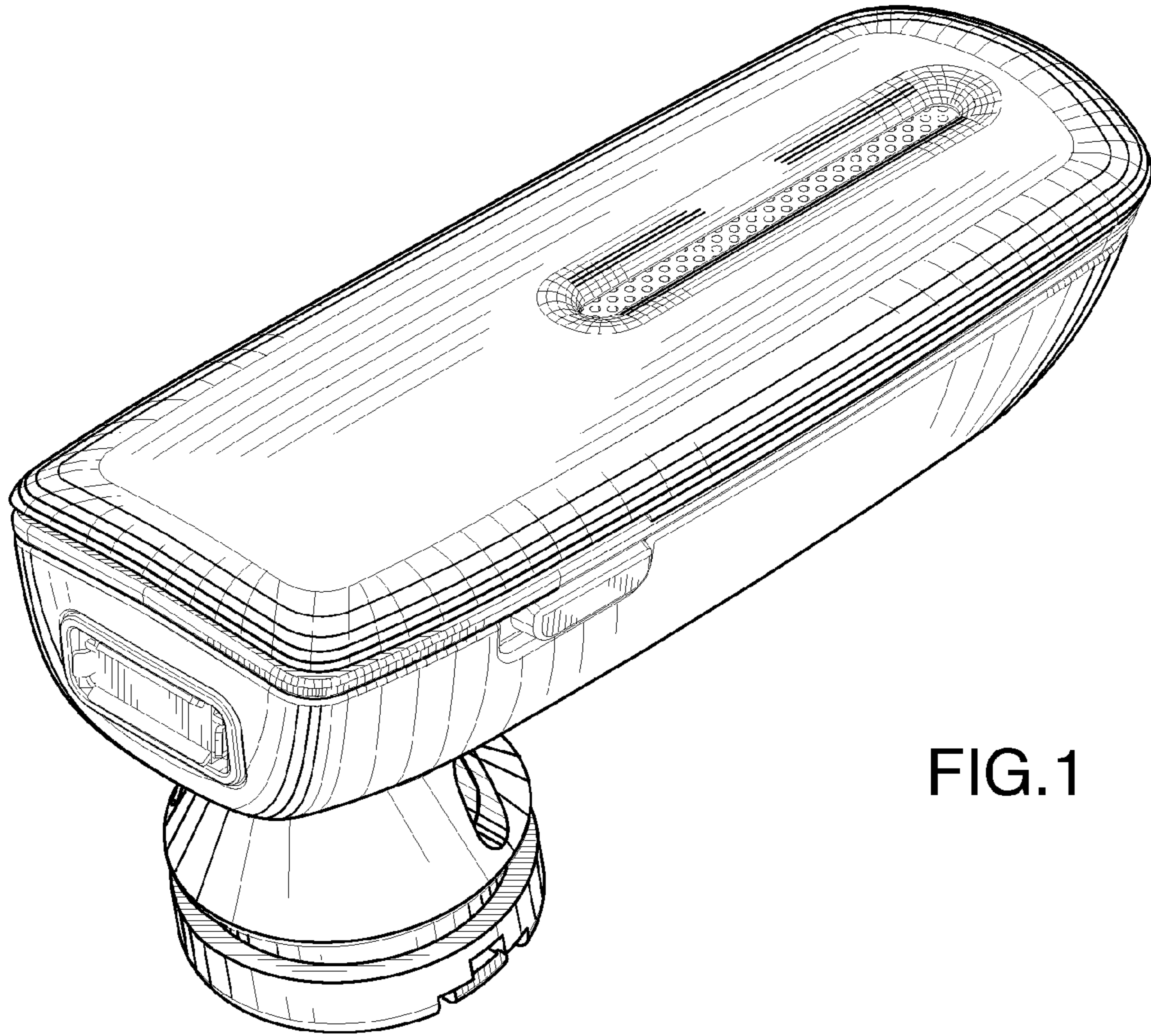


FIG.1

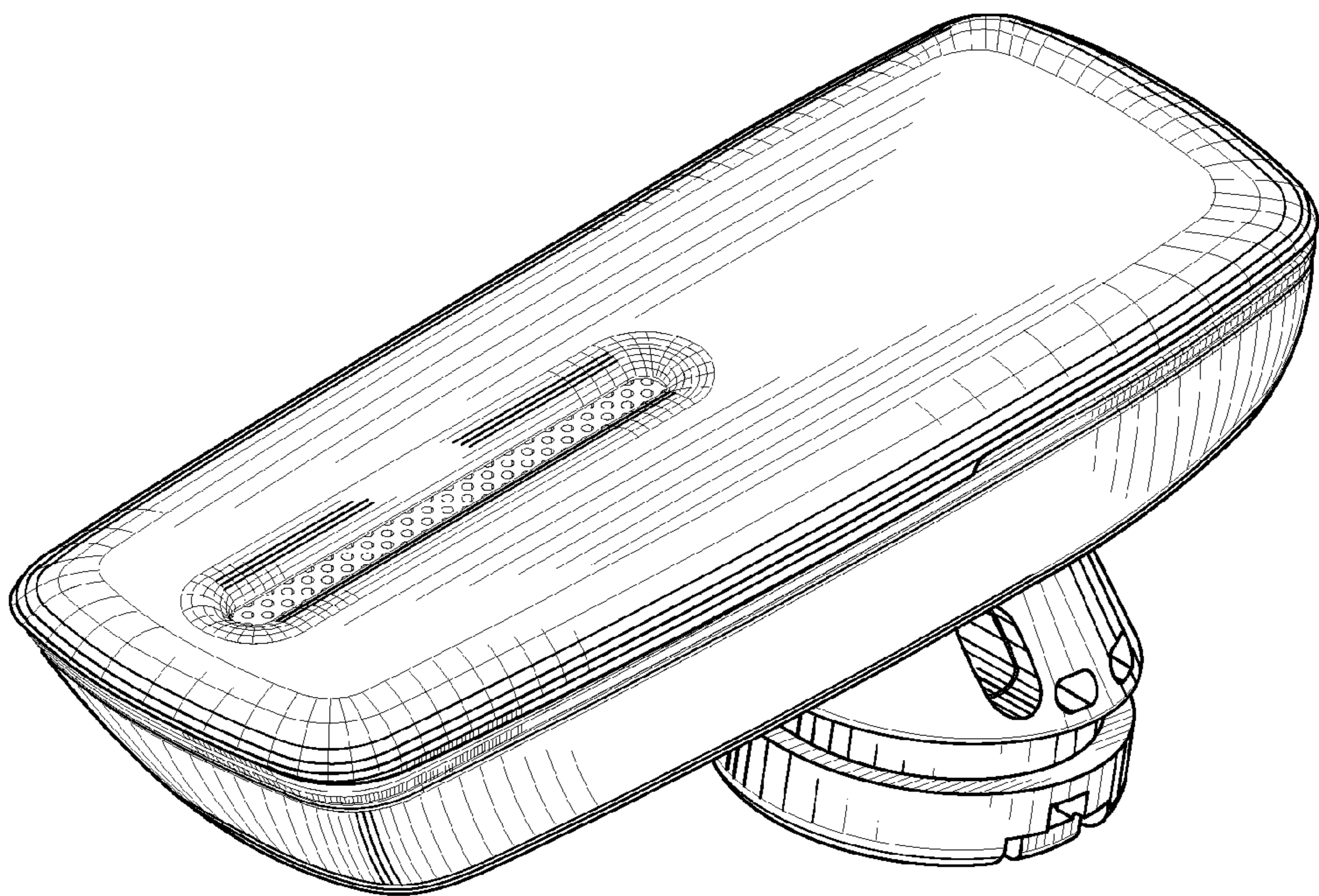


FIG.2

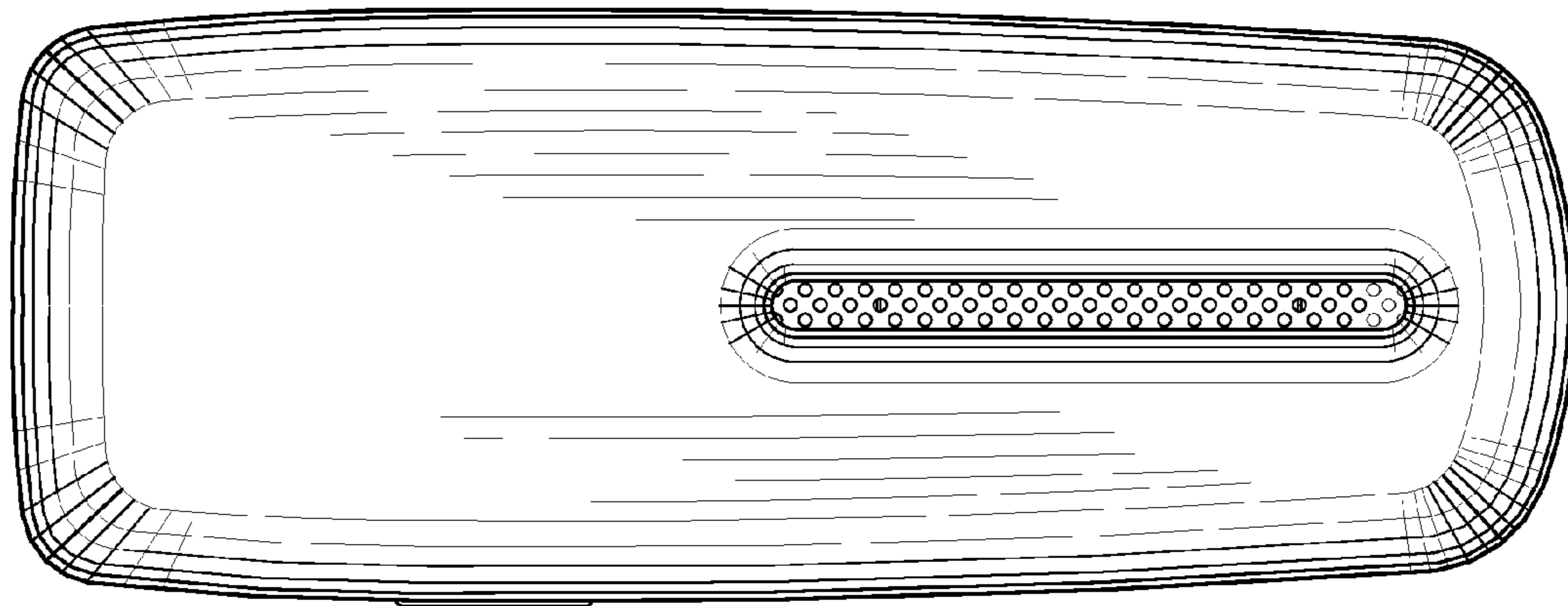


FIG.3

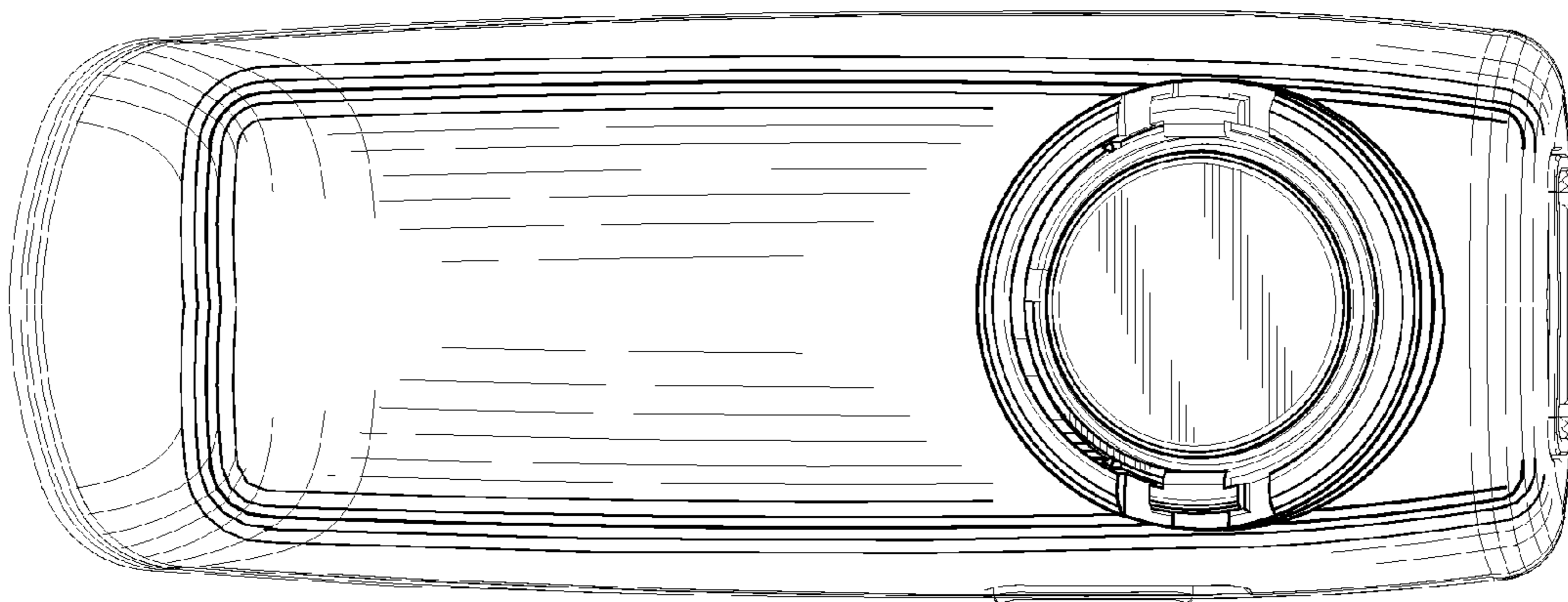


FIG.4

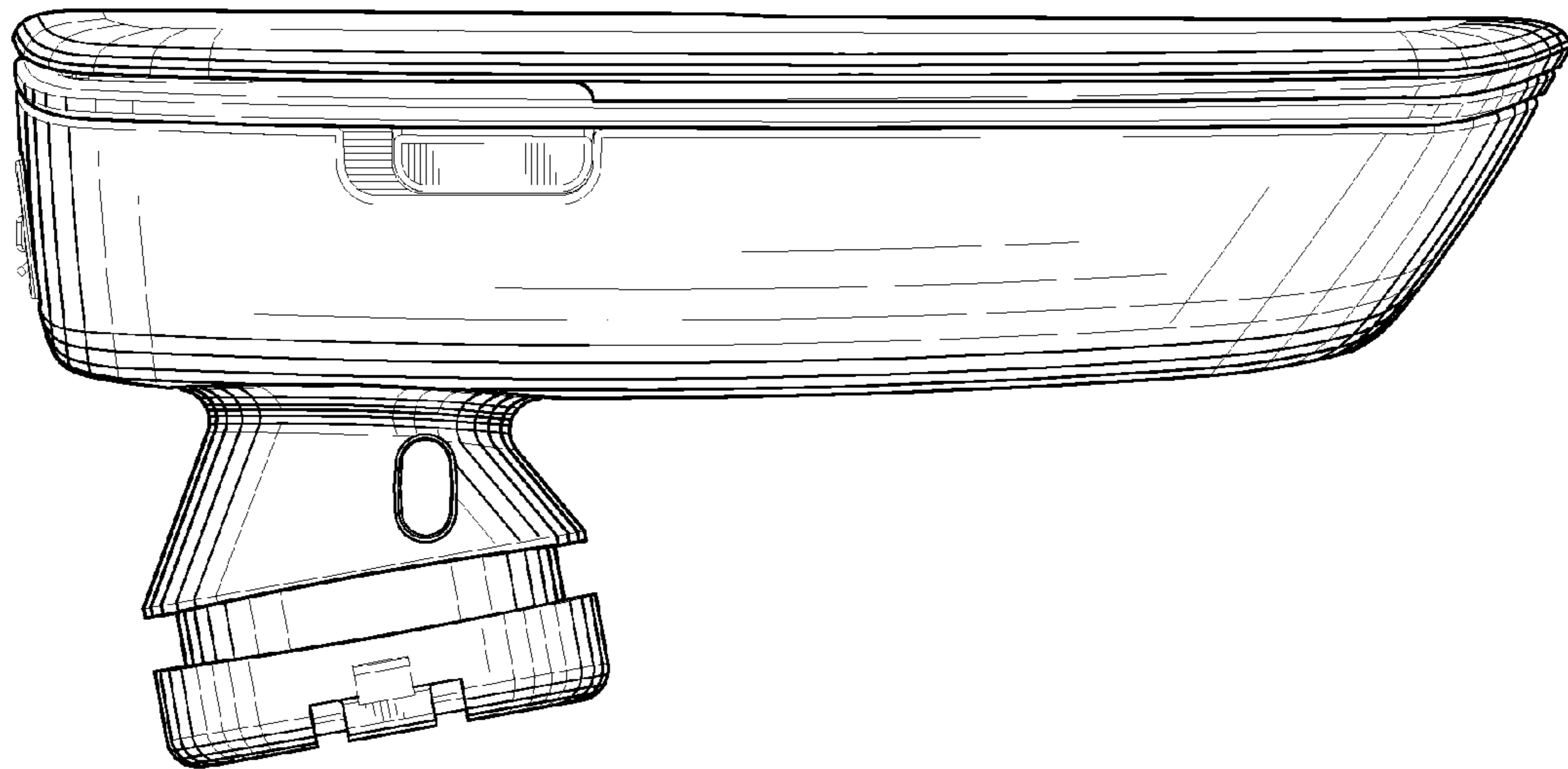


FIG.5

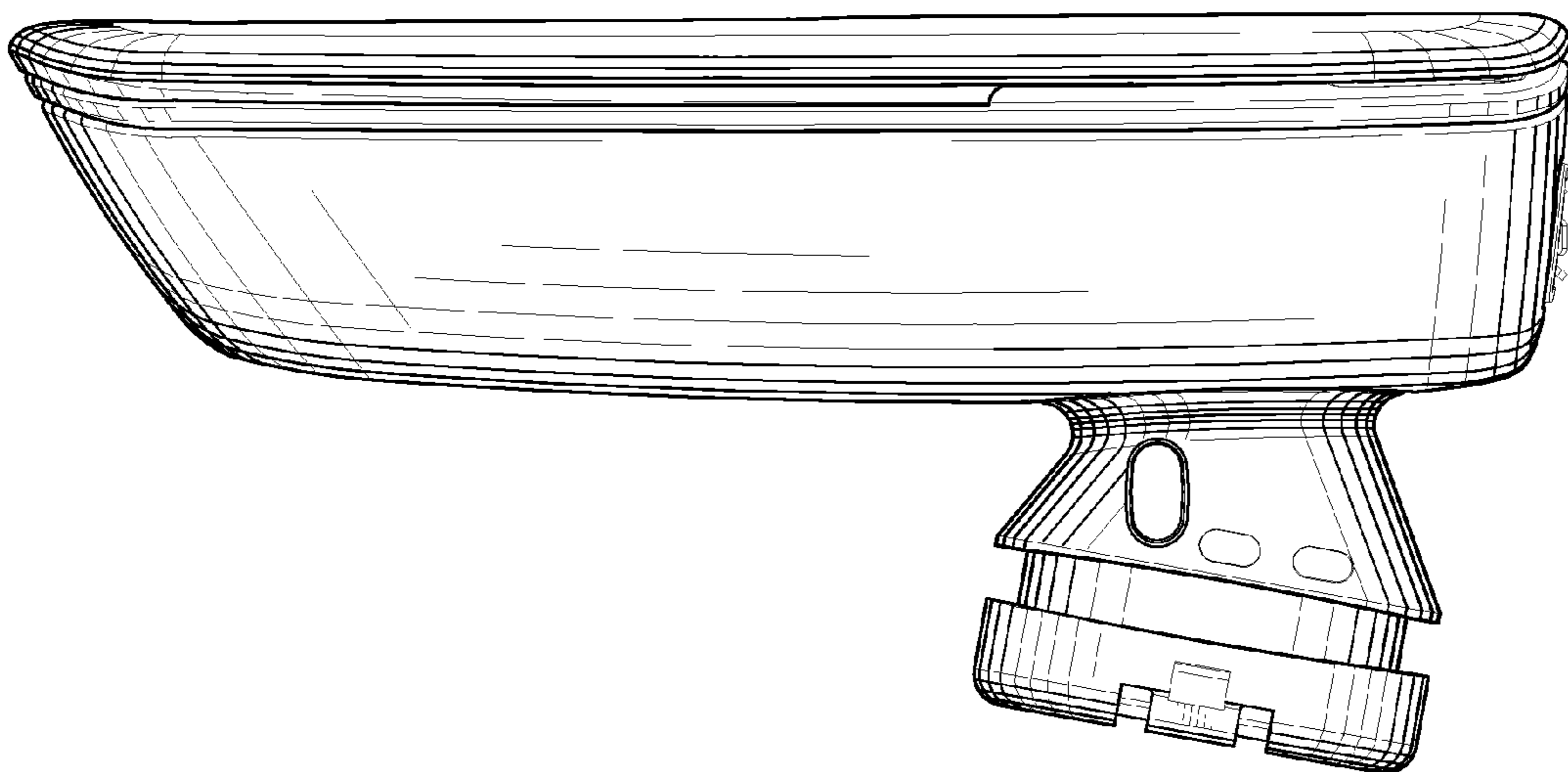


FIG.6

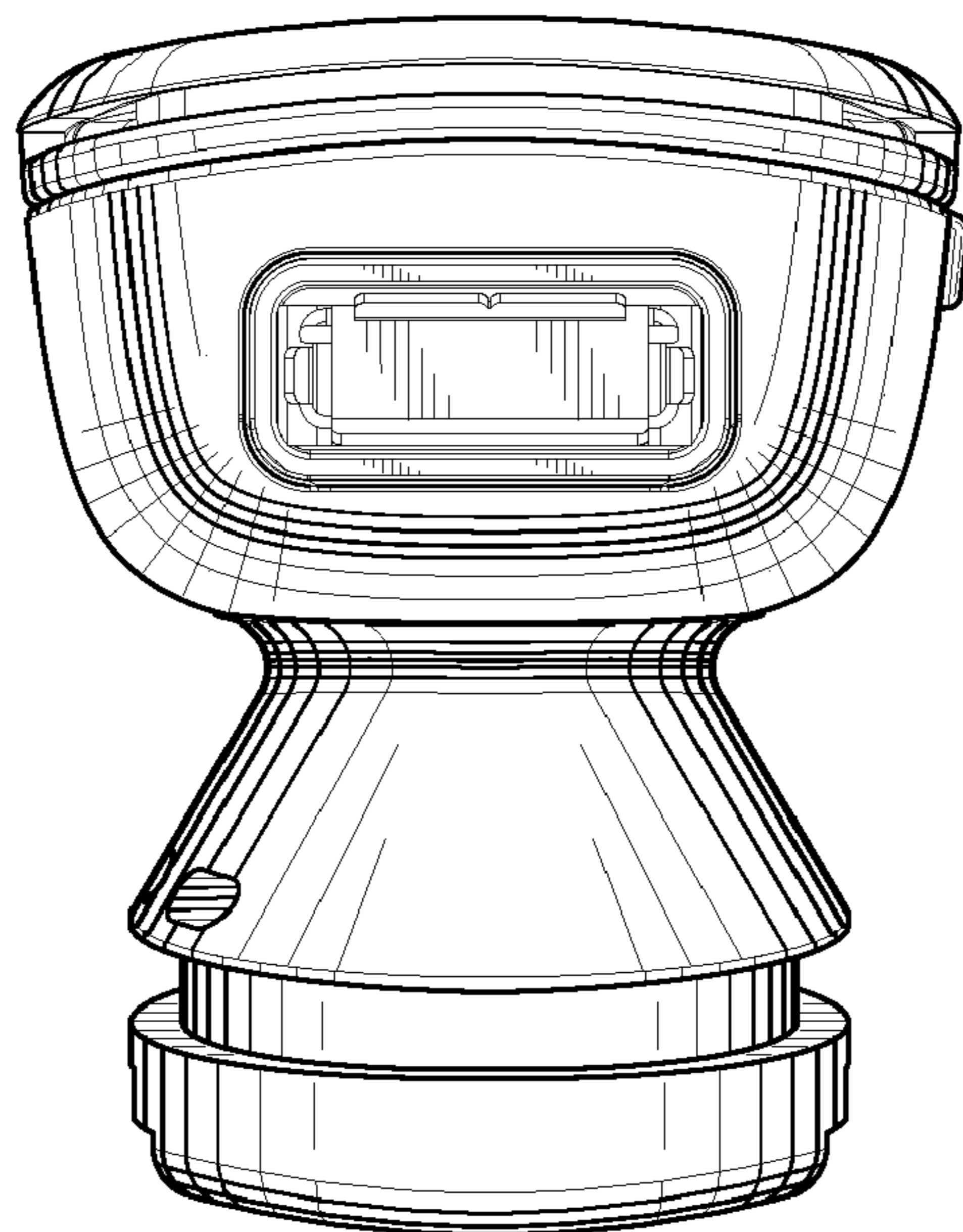


FIG. 7

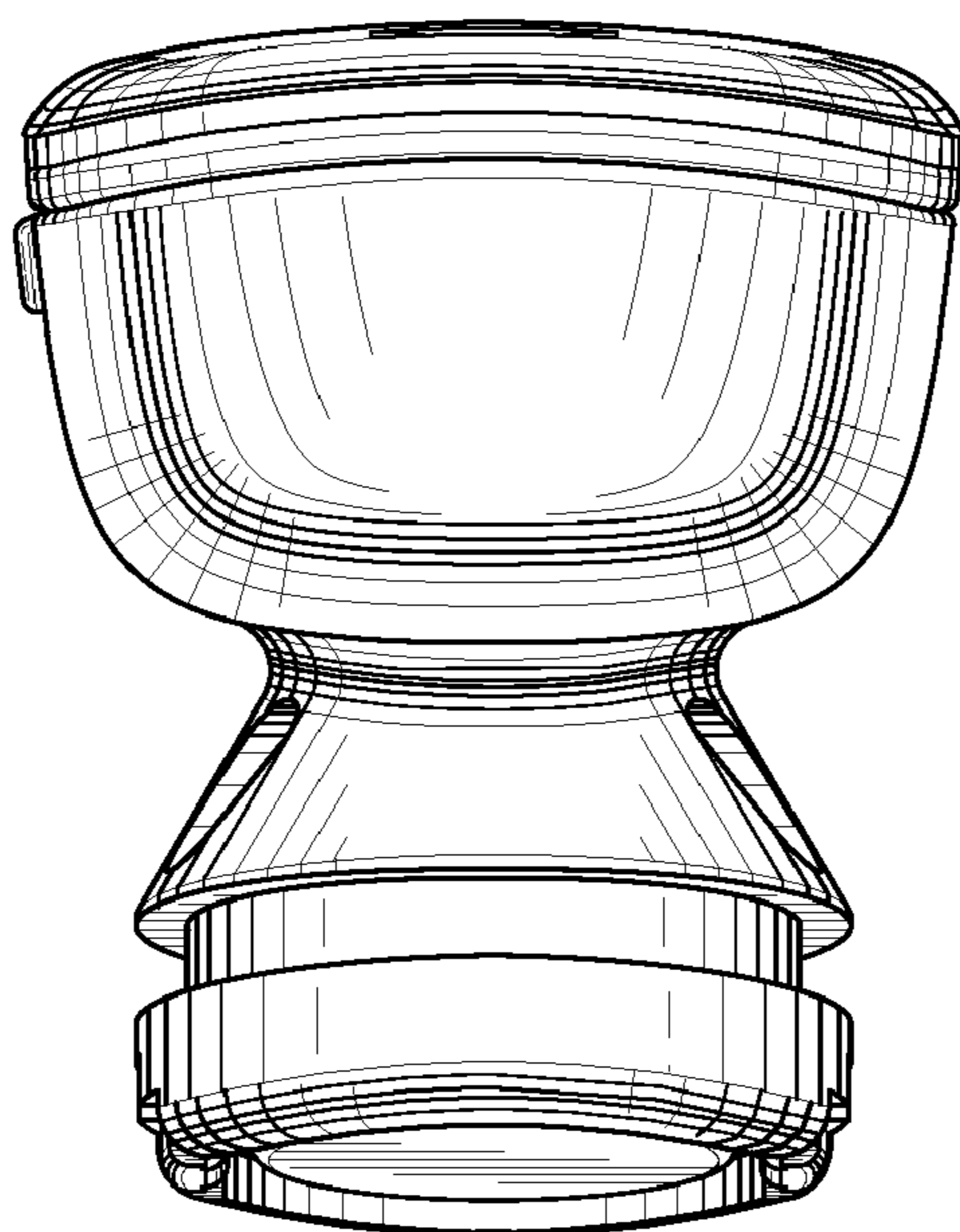


FIG. 8