



US00D618219S

(12) **United States Design Patent**
Burgett et al.

(10) **Patent No.:** **US D618,219 S**
(45) **Date of Patent:** **** Jun. 22, 2010**

(54) **EAR BUD ADAPTER**

(75) Inventors: **Seth Burgett**, Glen Carbon, IL (US);
Richard J. Daniels, St. Louis, MO (US);
Melvin Joshua Leedle, St. Louis, MO
(US)

(73) Assignee: **Verto Medical Solutions, LLC**, Glen
Carbon, IL (US)

(**) Term: **14 Years**

(21) Appl. No.: **29/314,832**

(22) Filed: **May 1, 2009**

(51) **LOC (9) Cl.** **14-01**

(52) **U.S. Cl.** **D14/223**

(58) **Field of Classification Search** D14/205,
D14/206, 223; 181/129, 130, 135, 137, 322;
381/322, 328, 338, 324, 380, 381; 379/430,
379/433.01; 128/864, 866, 868, 867, 857;
2/209, 428; D24/106, 174

See application file for complete search history.

(56) **References Cited**

U.S. PATENT DOCUMENTS

2,325,590	A *	7/1943	Carlisle et al.	381/328
2,549,629	A *	4/1951	Nelson	381/338
3,047,089	A *	7/1962	Zwislocki	181/135
D242,810	S *	12/1976	Rynearson	D14/205
4,069,400	A *	1/1978	Johanson et al.	381/324
D266,590	S *	10/1982	Bennett	D24/174
4,375,016	A *	2/1983	Harada	181/135
D287,280	S *	12/1986	Topholm	D24/174
D287,764	S *	1/1987	Topholm	D24/174
D287,765	S *	1/1987	Topholm	D24/174
4,972,492	A *	11/1990	Tanaka et al.	381/380

D340,286	S *	10/1993	Seo	D24/174
5,659,156	A	8/1997	Mauney et al.		
D388,093	S *	12/1997	Frengley	D14/223
5,712,453	A	1/1998	Bungardt et al.		
D478,991	S *	8/2003	Dyer et al.	D24/174
6,688,421	B2	2/2004	Dyer et al.		
6,690,807	B1 *	2/2004	Meyer	381/327
D505,132	S *	5/2005	Linville et al.	D14/223
D514,094	S *	1/2006	Griffin	D14/223
D574,361	S *	8/2008	Sasaki	D14/205
D593,537	S *	6/2009	Arimoto	D14/205
D601,134	S *	9/2009	Elabidi et al.	D14/223

* cited by examiner

Primary Examiner—Paula Greene

(74) *Attorney, Agent, or Firm*—Dicke, Billig & Czaja PLLC

(57) **CLAIM**

The ornamental design for an ear bud adapter, as shown and described herein.

DESCRIPTION

FIG. 1 is a front perspective view of an ear bud adapter showing our new design.

FIG. 2 is a rear perspective view thereof;

FIG. 3 is a front perspective view thereof;

FIG. 4 is a rear elevational view thereof;

FIG. 5 is a side elevational view thereof; and,

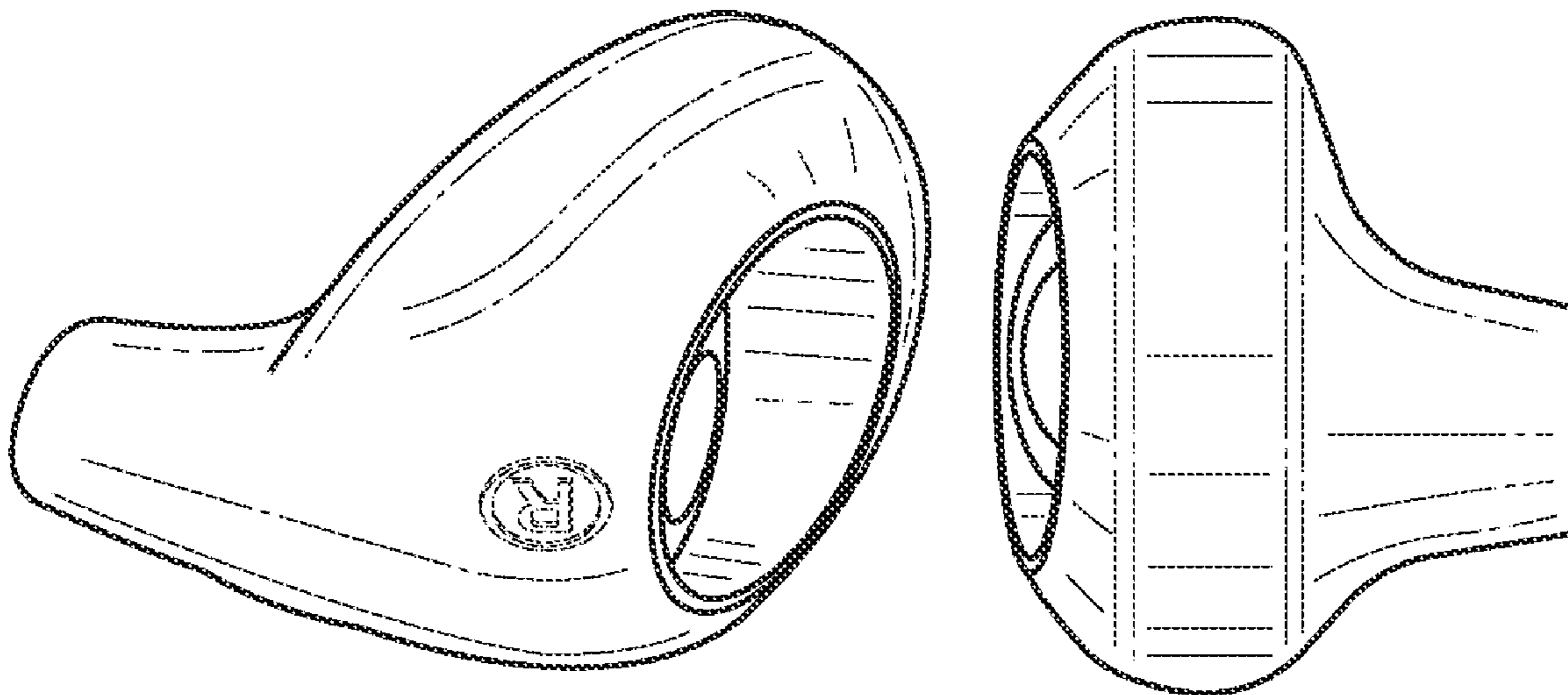
FIG. 6 is an opposite side elevational view thereof;

FIG. 7 is a top plan view thereof; and,

FIG. 8 is a bottom plan view thereof.

The broken lines form no part of the claimed design.

1 Claim, 2 Drawing Sheets



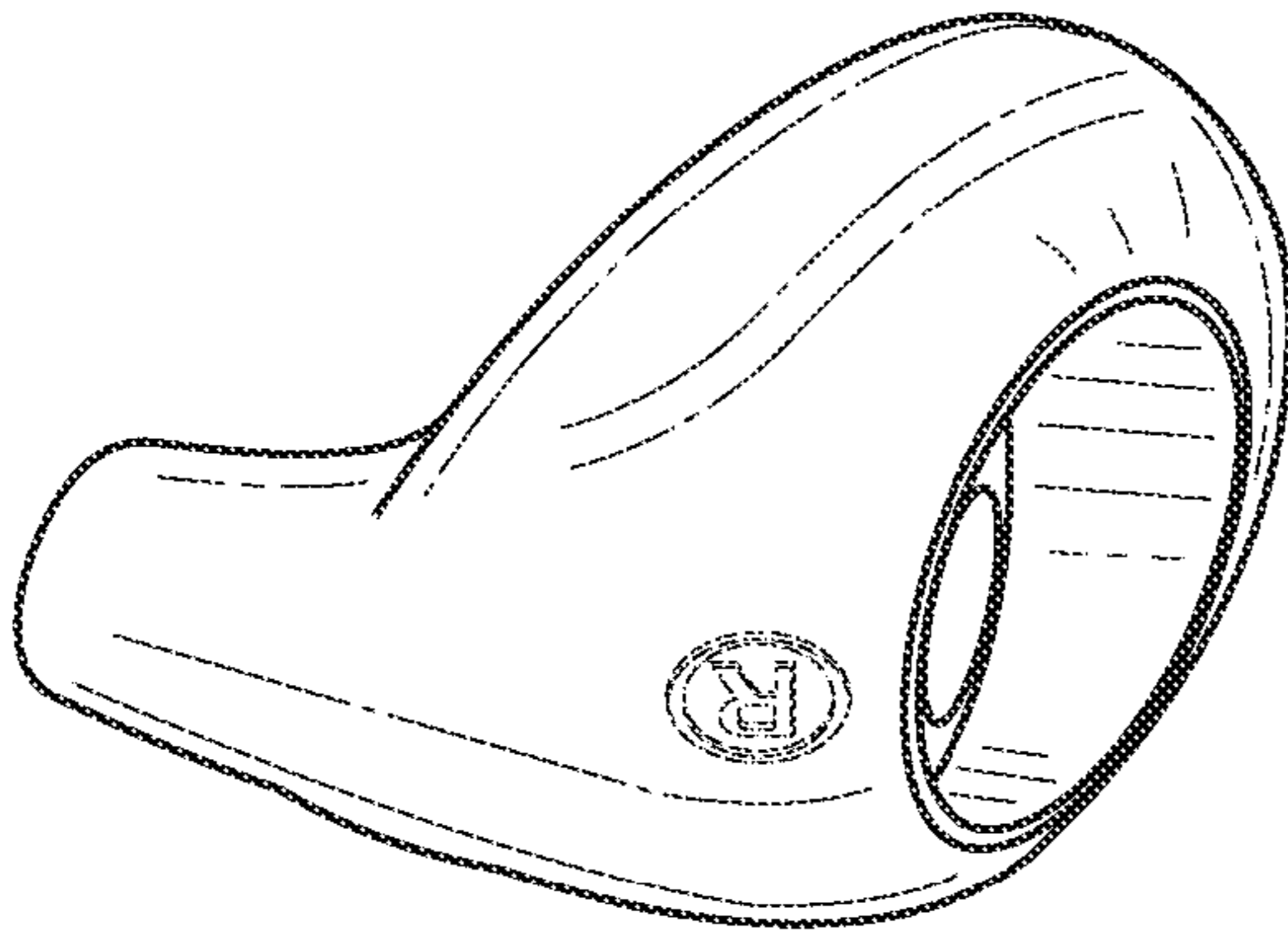


Fig. 1

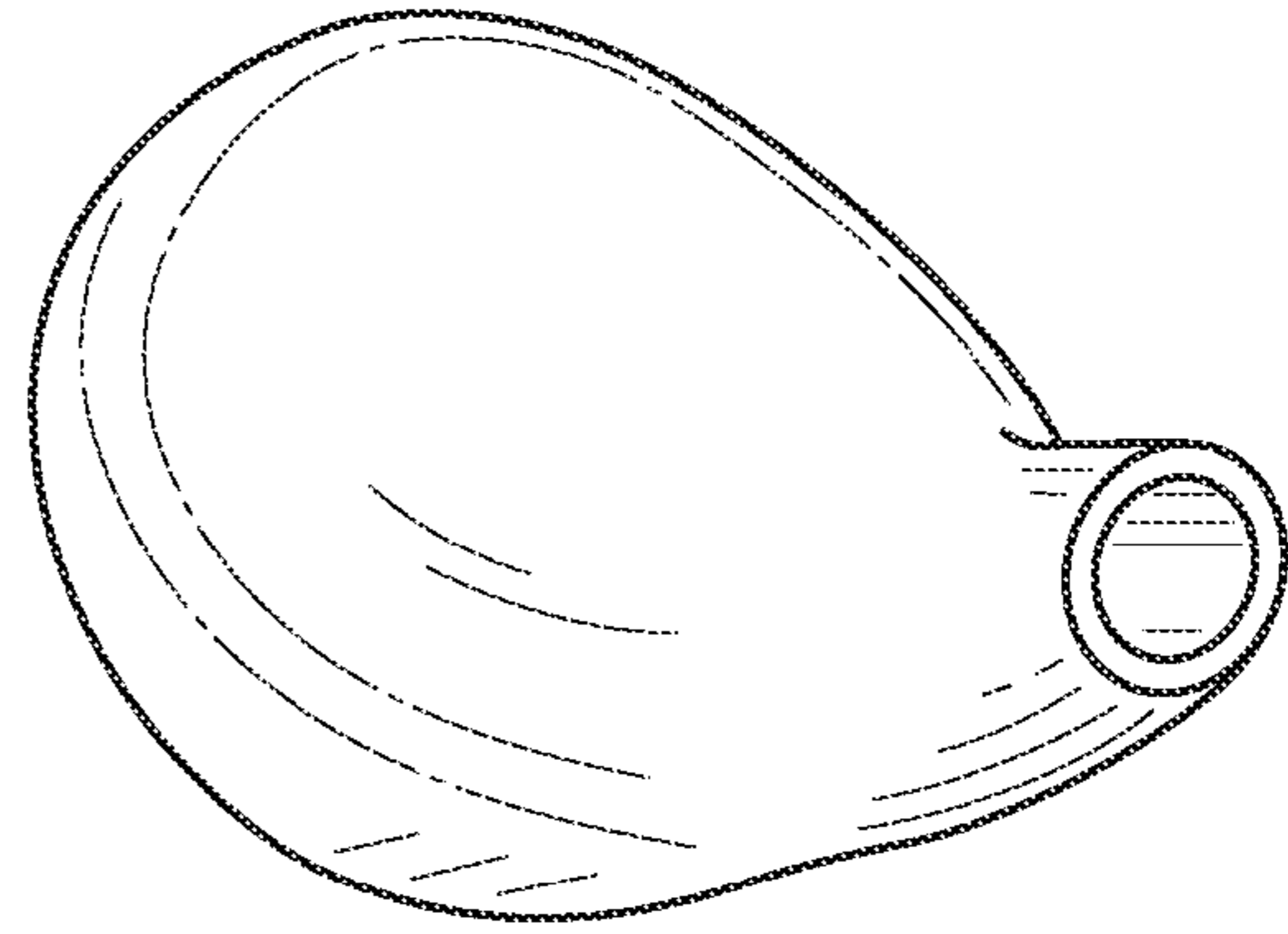


Fig. 2

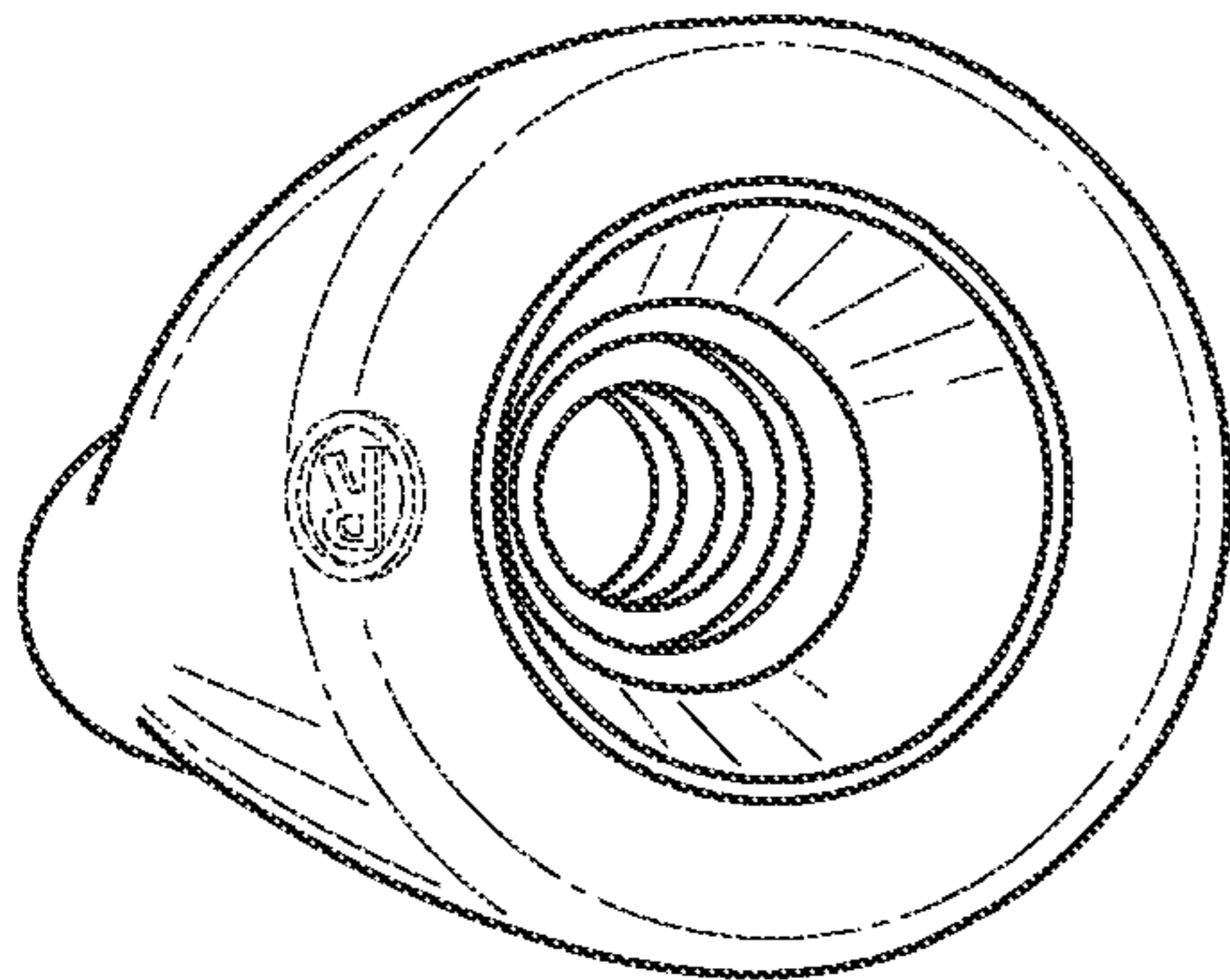


Fig. 3

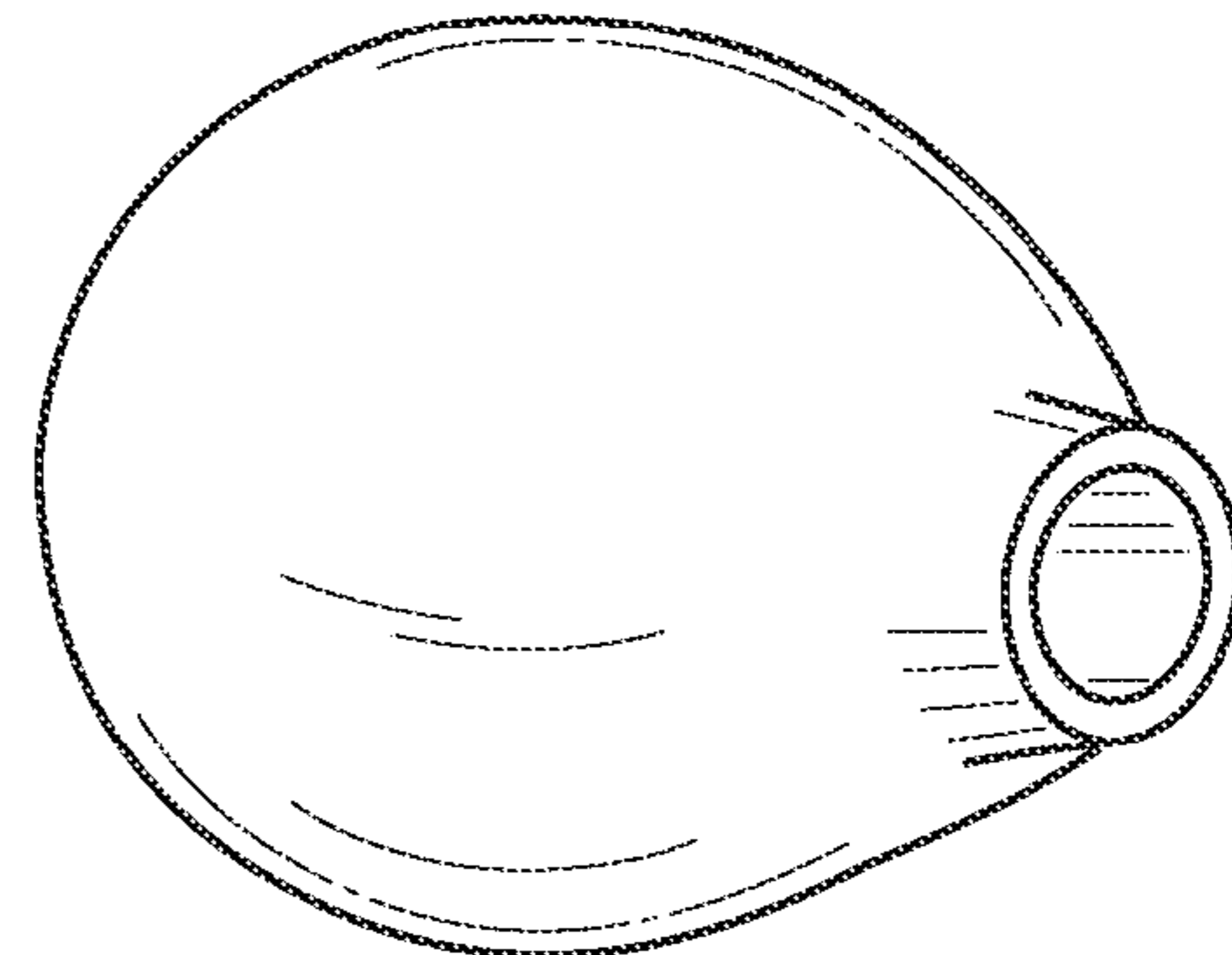


Fig. 4

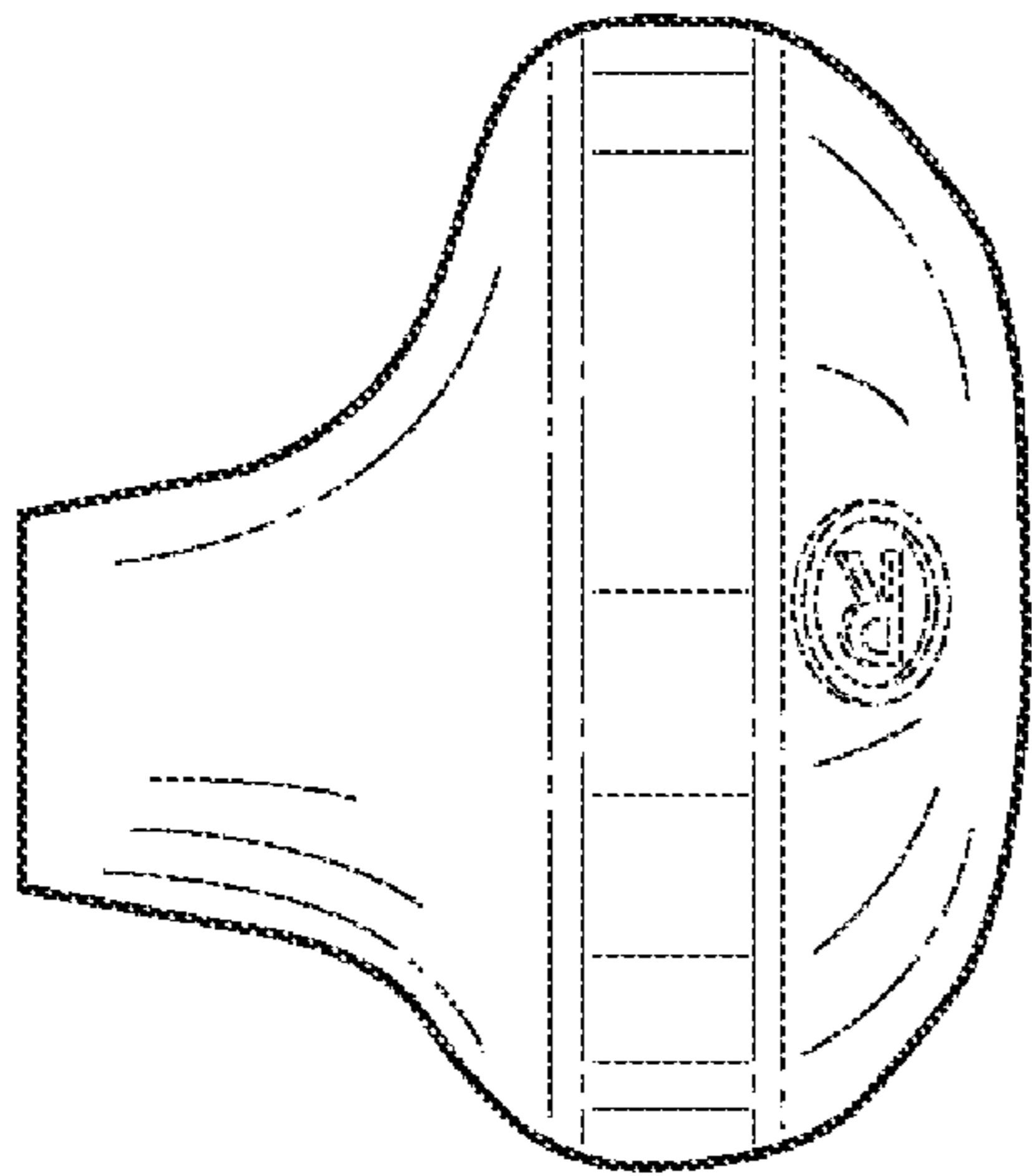


Fig. 5

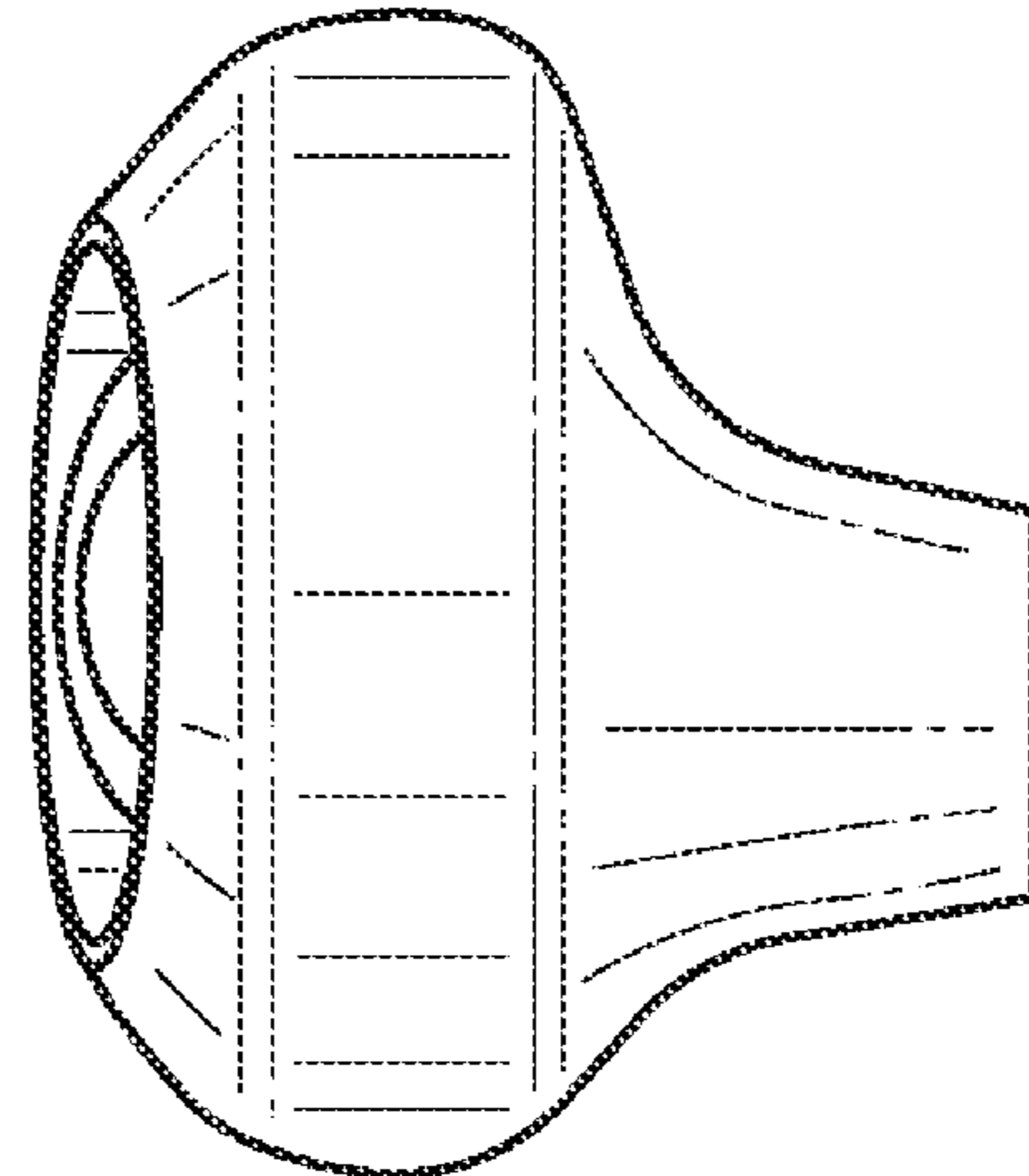


Fig. 6

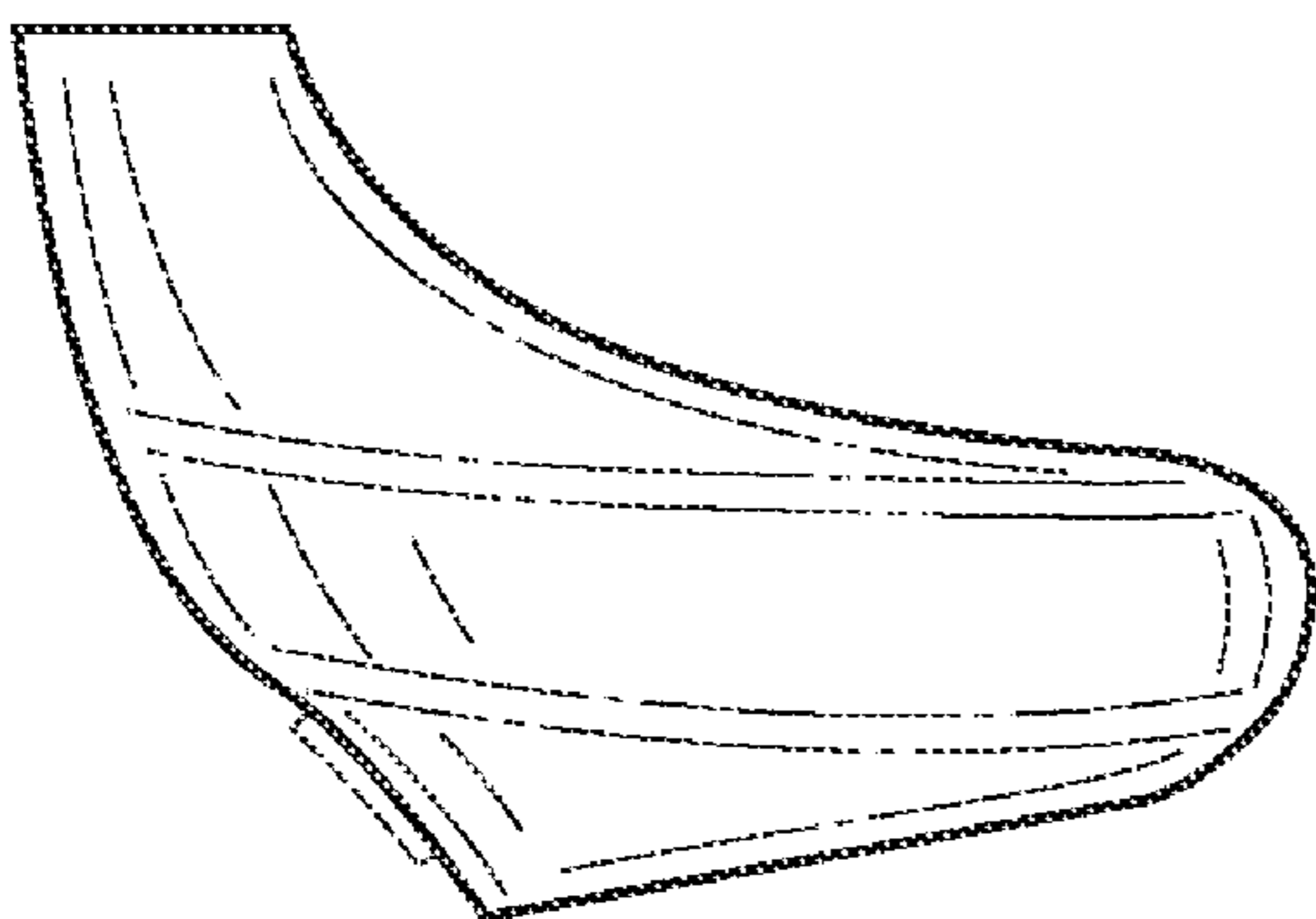


Fig. 7

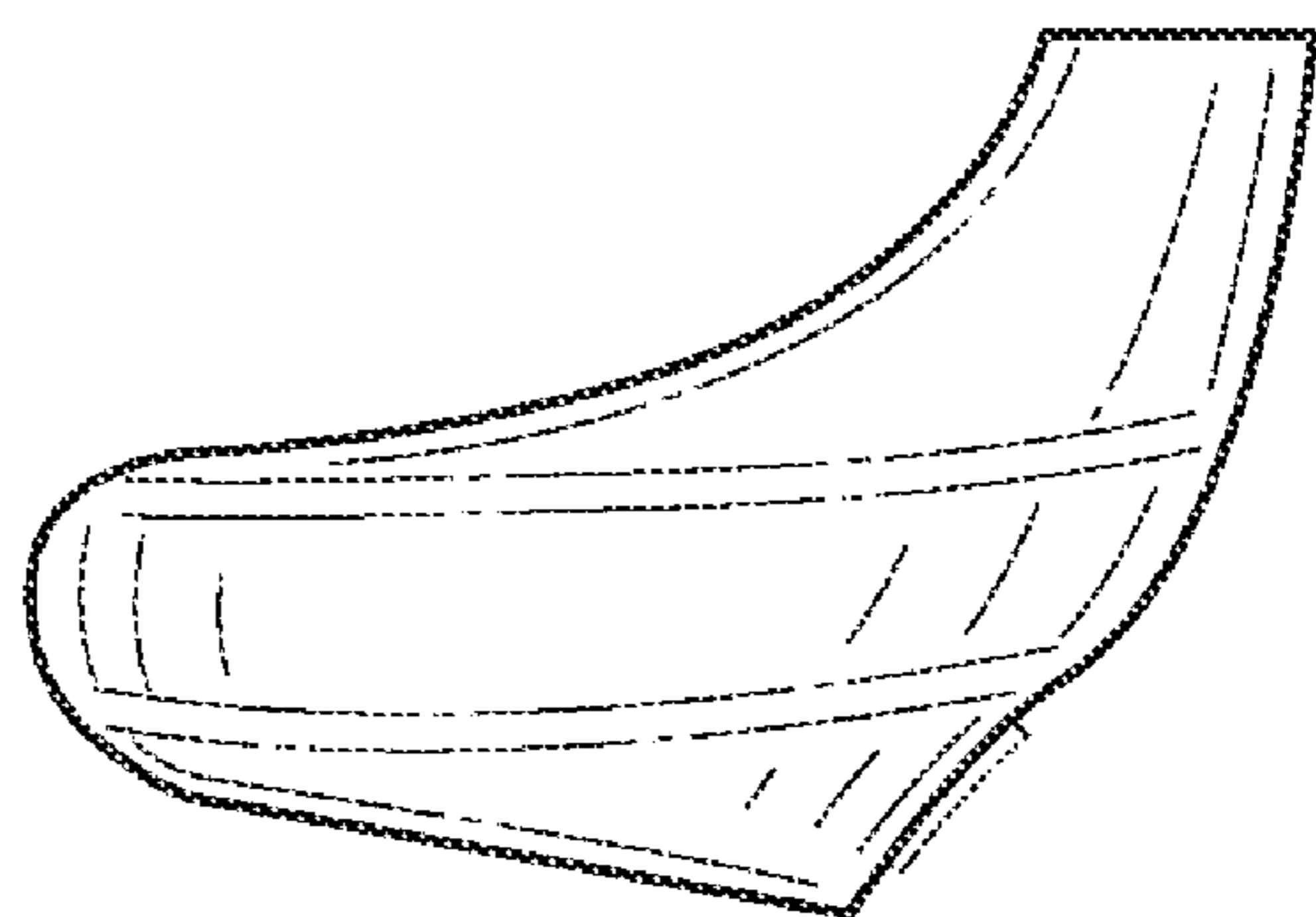


Fig. 8