



US00D618218S

(12) **United States Design Patent**
Burgett et al.

(10) **Patent No.:** **US D618,218 S**
(45) **Date of Patent:** **** *Jun. 22, 2010**

(54) **EAR BUD ADAPTER**

(75) Inventors: **Seth Burgett**, Glen Carbon, IL (US);
Richard J. Daniels, St. Louis, MO (US);
Melvin Joshua Leedle, St. Louis, MO (US)

(73) Assignee: **Verto Medical Solutions, LLC**, Glen Carbon, IL (US)

(**) Term: **14 Years**

(21) Appl. No.: **29/314,792**

(22) Filed: **Apr. 30, 2009**

(51) **LOC (9) Cl.** **14-01**

(52) **U.S. Cl.** **D14/223**

(58) **Field of Classification Search** D14/205,
D14/206, 223, 242; D29/112; 181/128-130,
181/135; D24/106, 174; 379/430; 128/857,
128/864, 866, 868; 381/322, 328, 371
See application file for complete search history.

(56) **References Cited**

U.S. PATENT DOCUMENTS

1,527,802 A * 2/1925 Huggins 181/129

(Continued)

Primary Examiner—Paula Greene

(74) *Attorney, Agent, or Firm*—Dicke, Billig & Czaja PLLC

(57) **CLAIM**

The ornamental design for an ear bud adapter, as shown and described.

DESCRIPTION

FIG. 1 is a front perspective view of a first embodiment of the ear bud adapter.

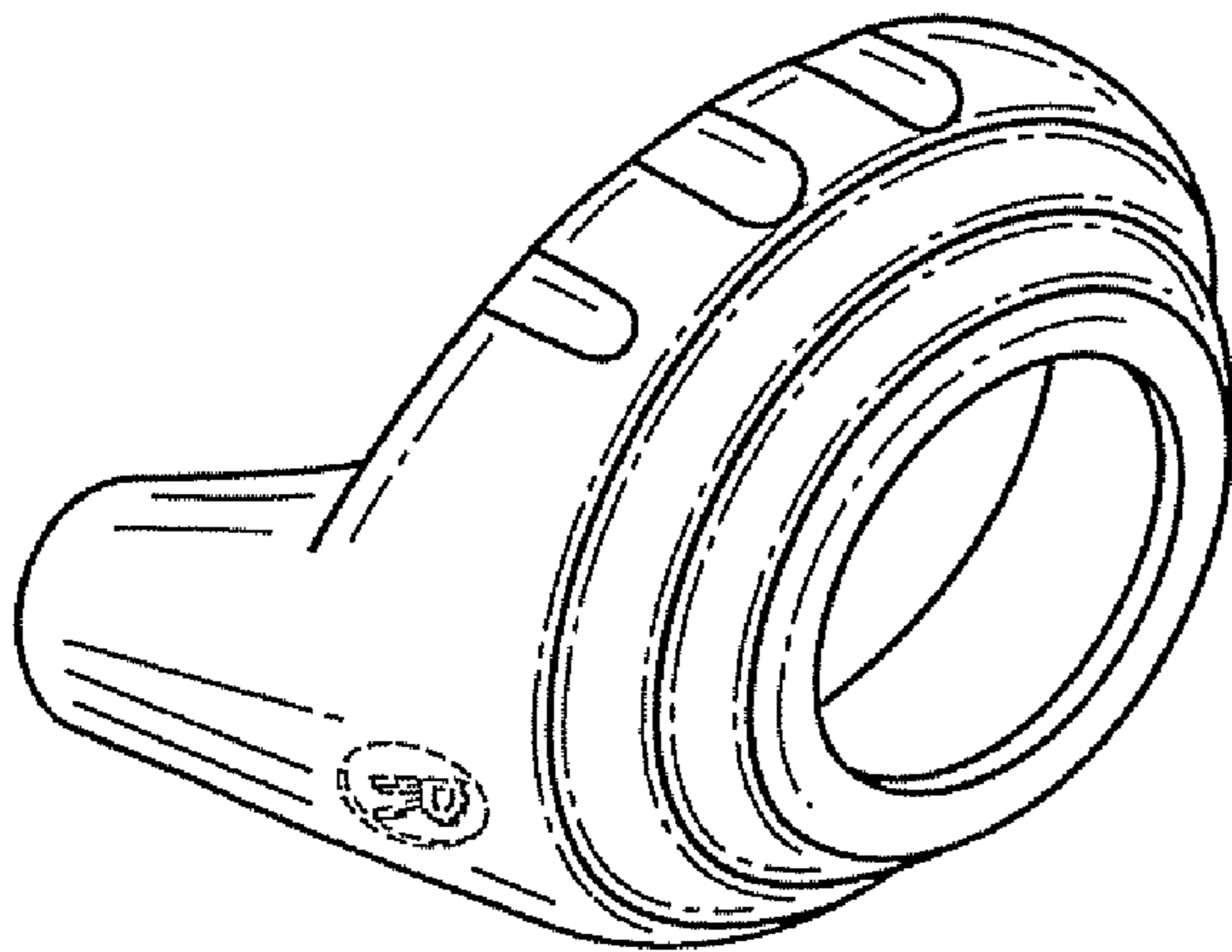


FIG. 2 is a rear perspective view of the first embodiment of the ear bud adapter.

FIG. 3 is a front view of the first embodiment of the ear bud adapter.

FIG. 4 is a rear view of the first embodiment of the ear bud adapter.

FIG. 5 is a first side view of the first embodiment of the ear bud adapter.

FIG. 6 is a second side view of the first embodiment of the ear bud adapter illustrating the side opposite that illustrated in FIG. 5.

FIG. 7 is a top view of the first embodiment of the ear bud adapter.

FIG. 8 is a bottom view of the first embodiment of the ear bud adapter.

FIG. 9 is a front perspective view of a second embodiment of the ear bud adapter.

FIG. 10 is a rear perspective view of the second embodiment of the ear bud adapter.

FIG. 11 is a front view of the second embodiment of the ear bud adapter.

FIG. 12 is a rear view of the second embodiment of the ear bud adapter.

FIG. 13 is a first side view of the second embodiment of the ear bud adapter.

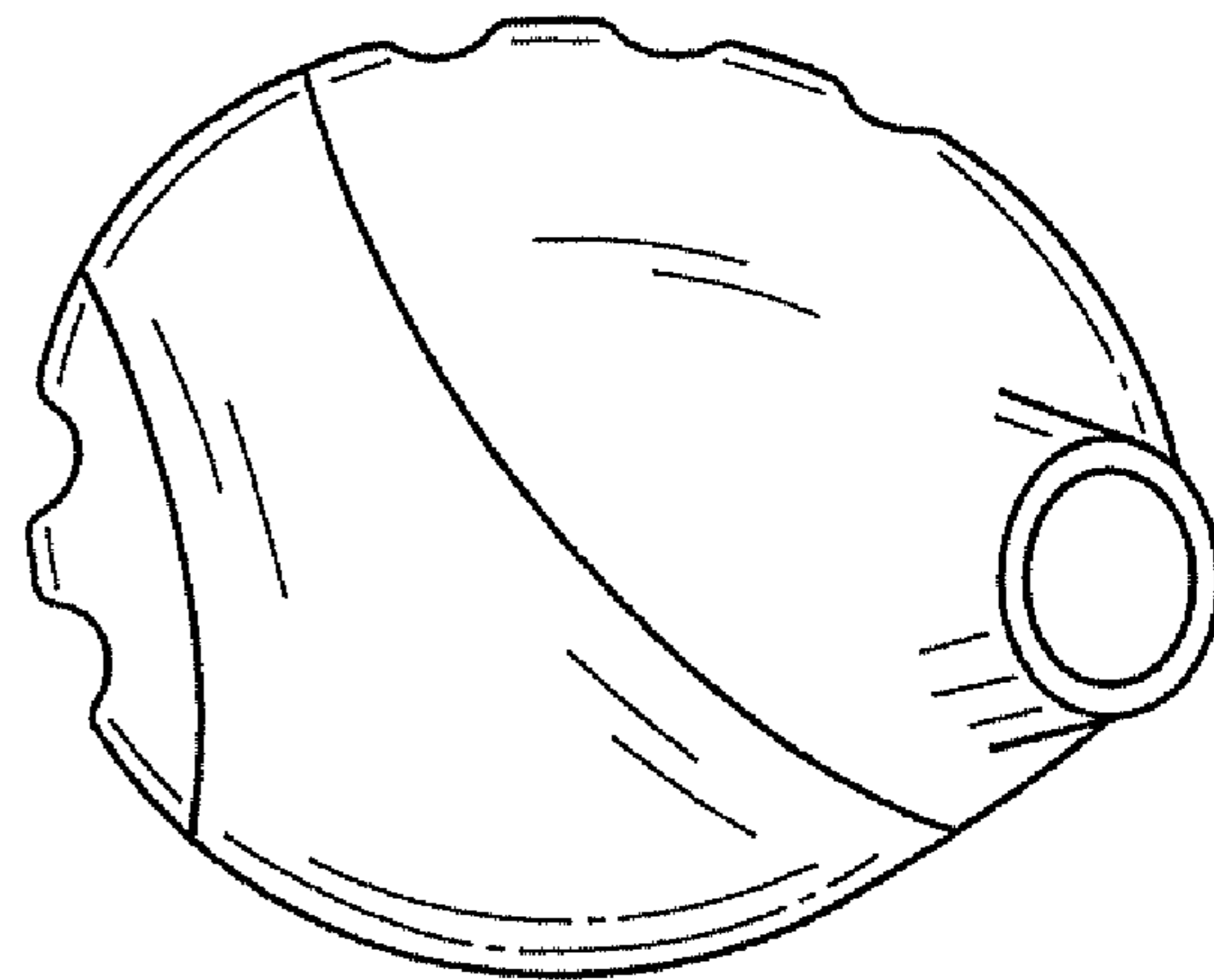
FIG. 14 is a second side view of the second embodiment of the ear bud adapter illustrating the side opposite that illustrated in FIG. 13.

FIG. 15 is a top view of the second embodiment of the ear bud adapter; and,

FIG. 16 is a bottom view of the second embodiment of the ear bud adapter.

The broken lines form no part of the claimed design.

1 Claim, 4 Drawing Sheets



US D618,218 S

Page 2

U.S. PATENT DOCUMENTS

2,325,590	A *	7/1943	Carlisle et al.	381/328	4,972,492	A *	11/1990	Tanaka et al.	381/380
2,430,229	A *	11/1947	Kelsey	381/338	D368,309	S *	3/1996	Narisawa	D24/106
D196,654	S *	10/1963	Van Den Berg	D14/205	5,659,156	A	8/1997	Mauney et al.	
3,539,031	A *	11/1970	Scanlon	181/129	5,712,453	A	1/1998	Bungardt et al.	
D242,810	S *	12/1976	Rynearson	D14/205	D391,576	S *	3/1998	Mullin et al.	D14/223
4,069,400	A *	1/1978	Johanson et al.	381/324	D405,528	S *	2/1999	Shennib et al.	D24/174
D249,508	S *	9/1978	Coughlin et al.	D14/223	D478,991	S	8/2003	Dyer et al.	
4,375,016	A *	2/1983	Harada	181/135	6,688,421	B2	2/2004	Dyer et al.	
D287,280	S *	12/1986	Topholm	D24/174	6,690,807	B1 *	2/2004	Meyer	381/327
D287,764	S *	1/1987	Topholm	D24/174	D514,094	S *	1/2006	Griffin	D14/223
D287,765	S *	1/1987	Topholm	D24/174	D519,985	S *	5/2006	Wikel et al.	D14/205
D288,093	S *	2/1987	Fujiyama	D14/223	D532,110	S *	11/2006	Bailey et al.	D24/174

* cited by examiner

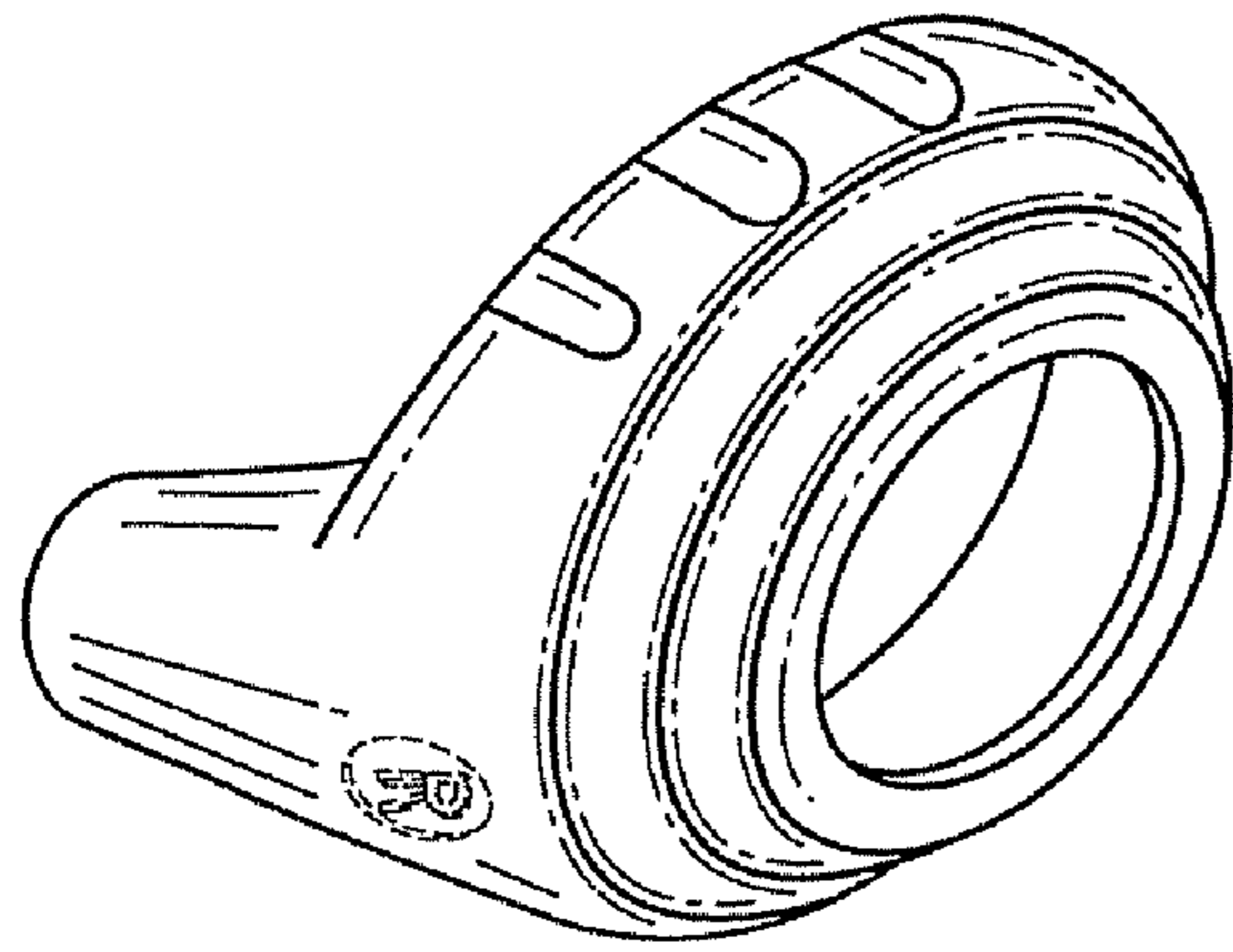


Fig. 1

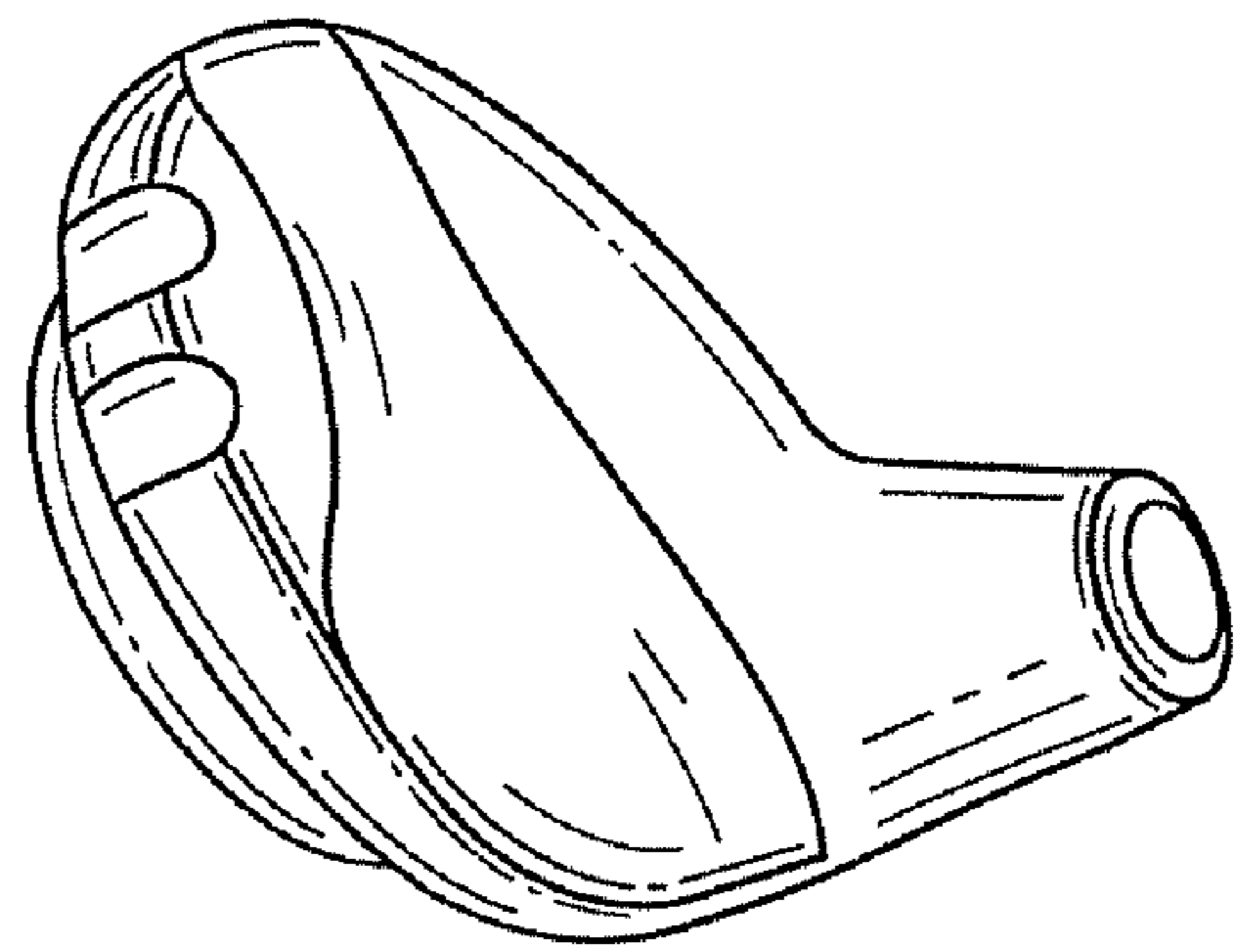


Fig. 2

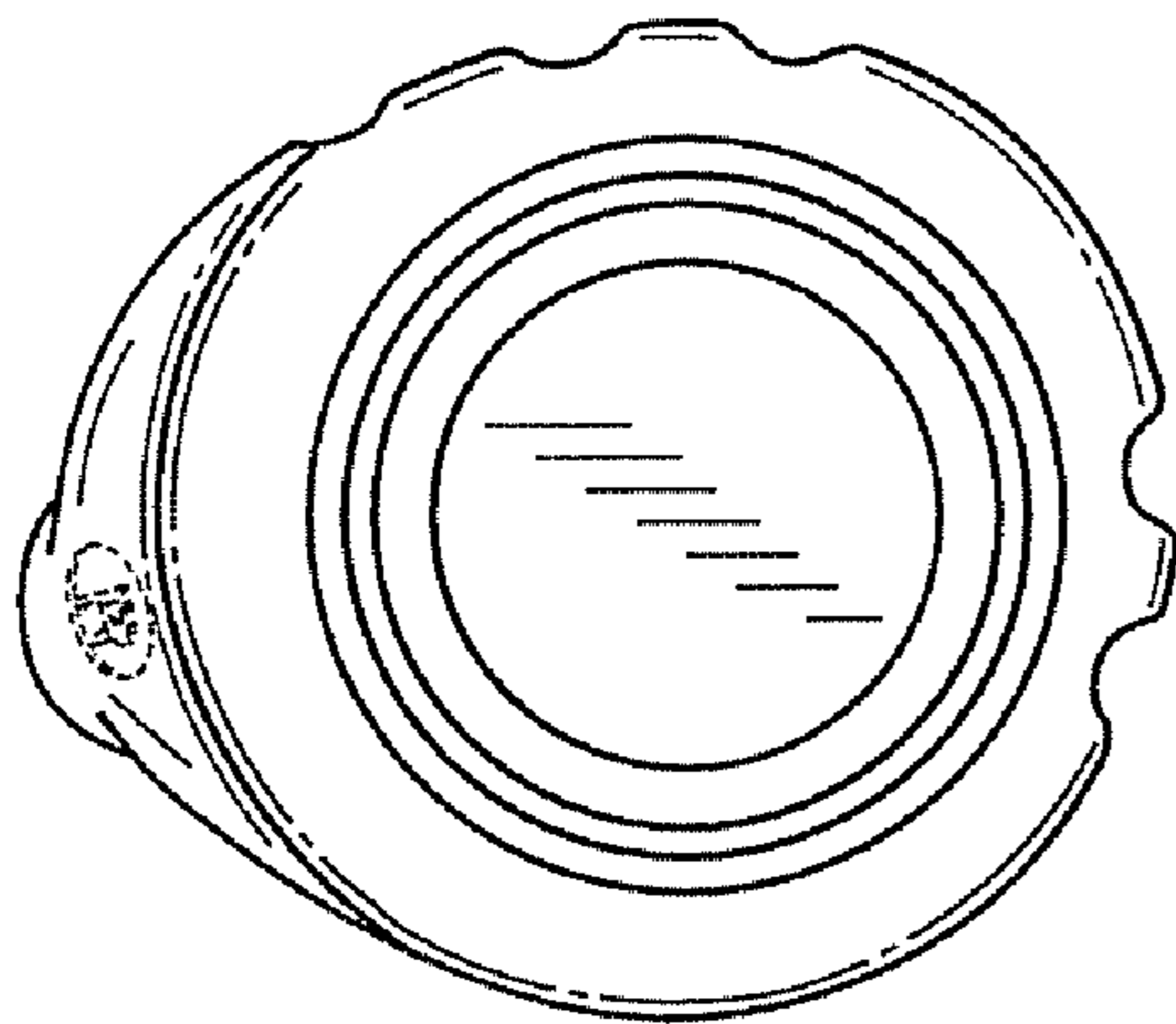


Fig. 3

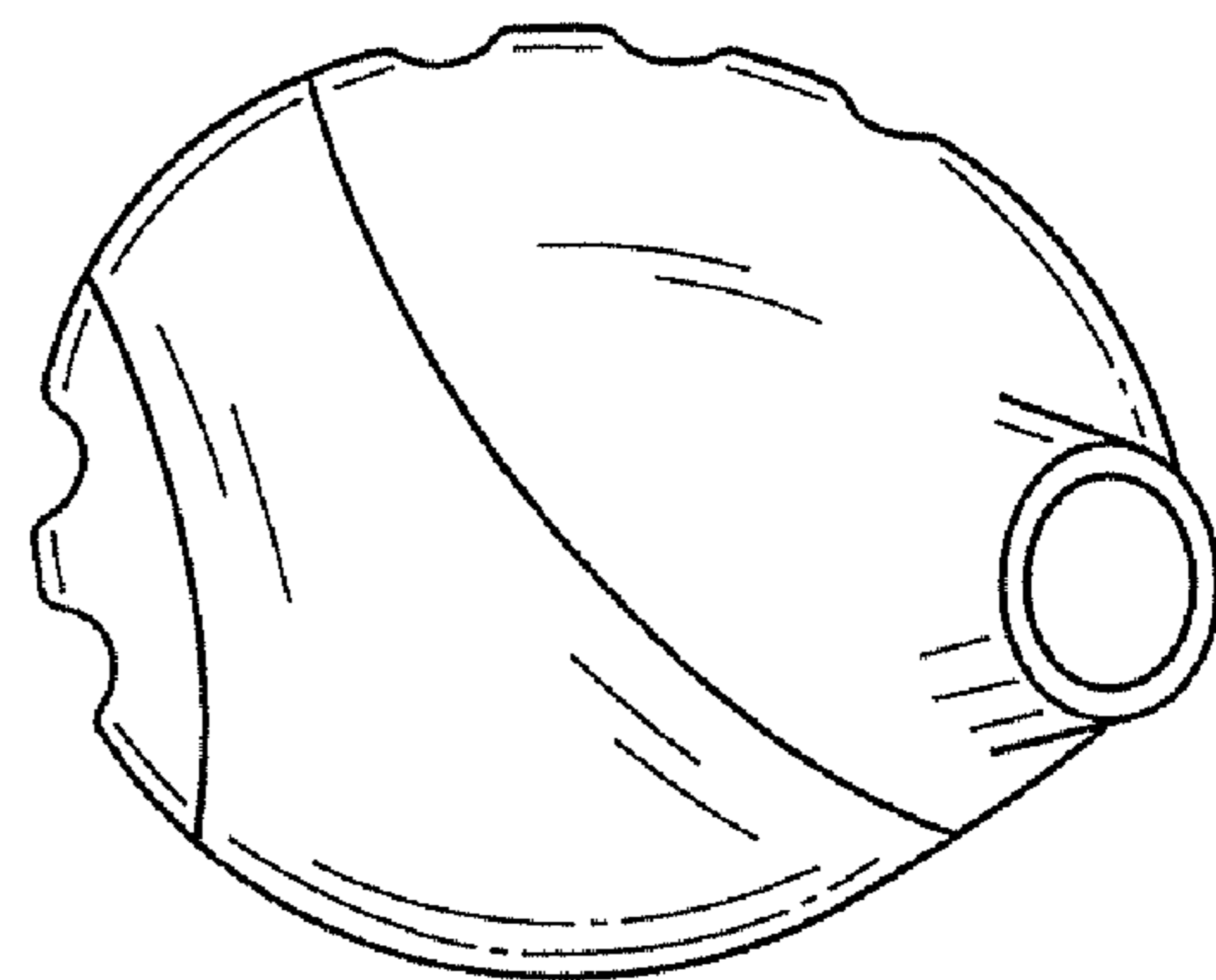


Fig. 4

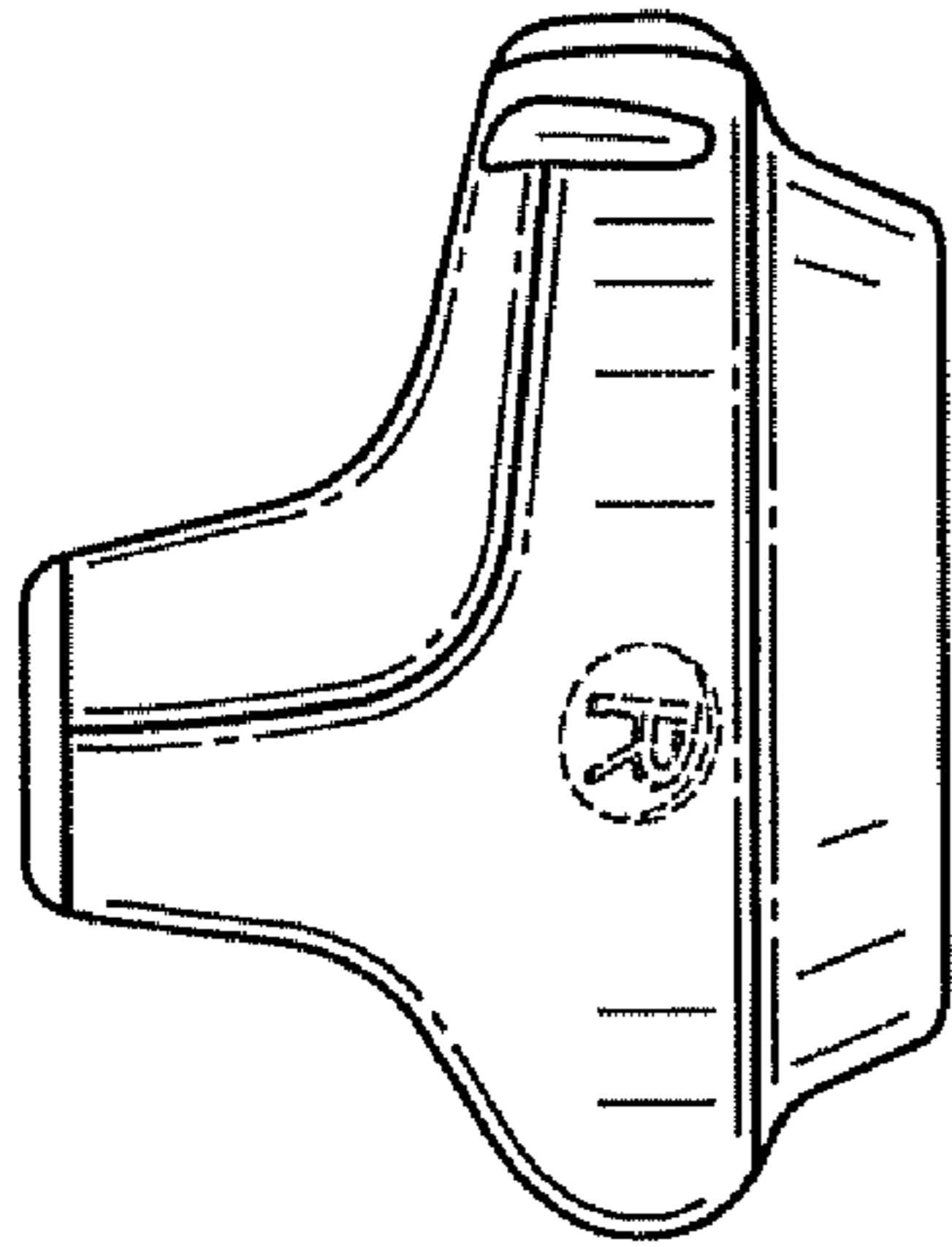


Fig. 5

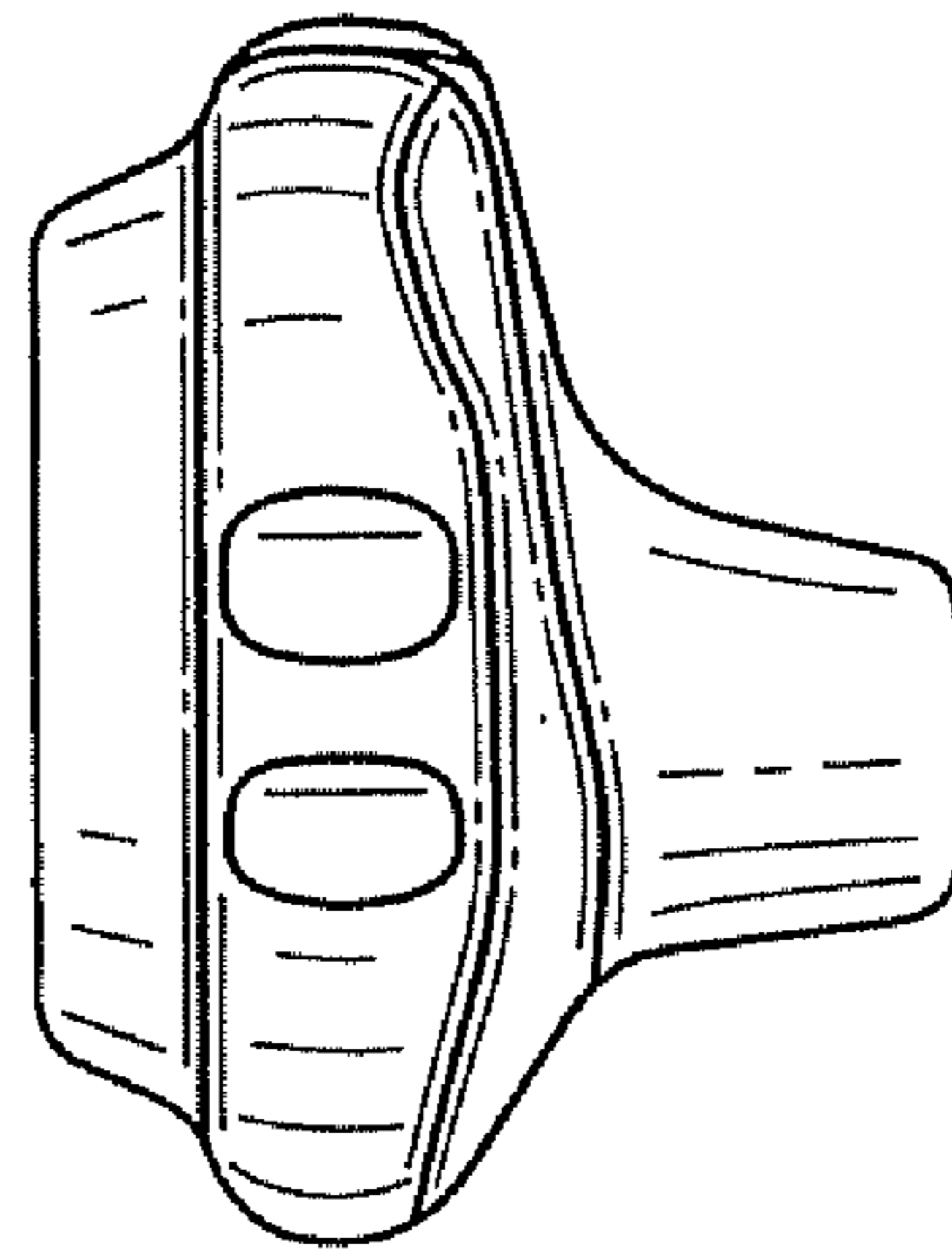


Fig. 6

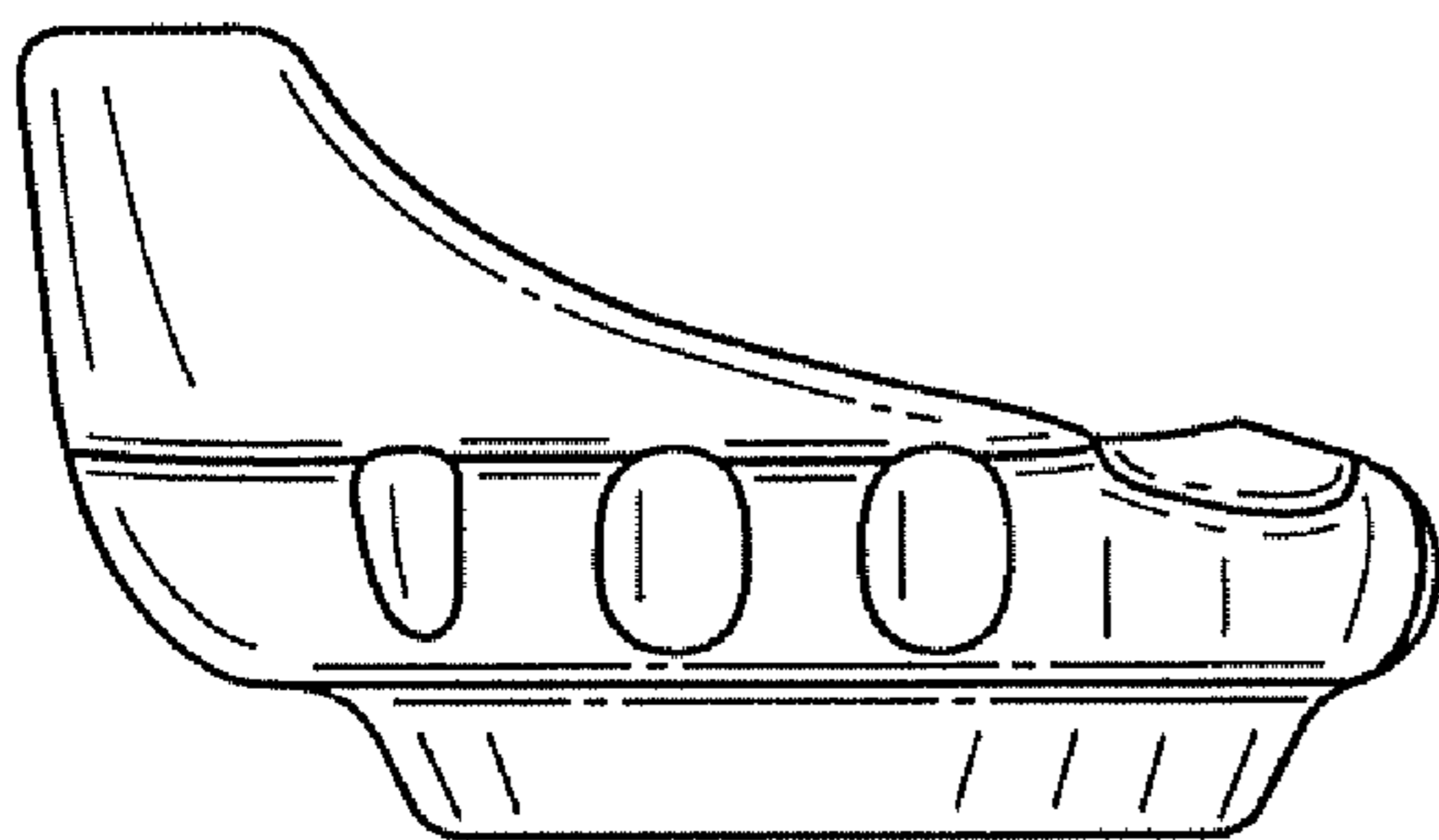


Fig. 7

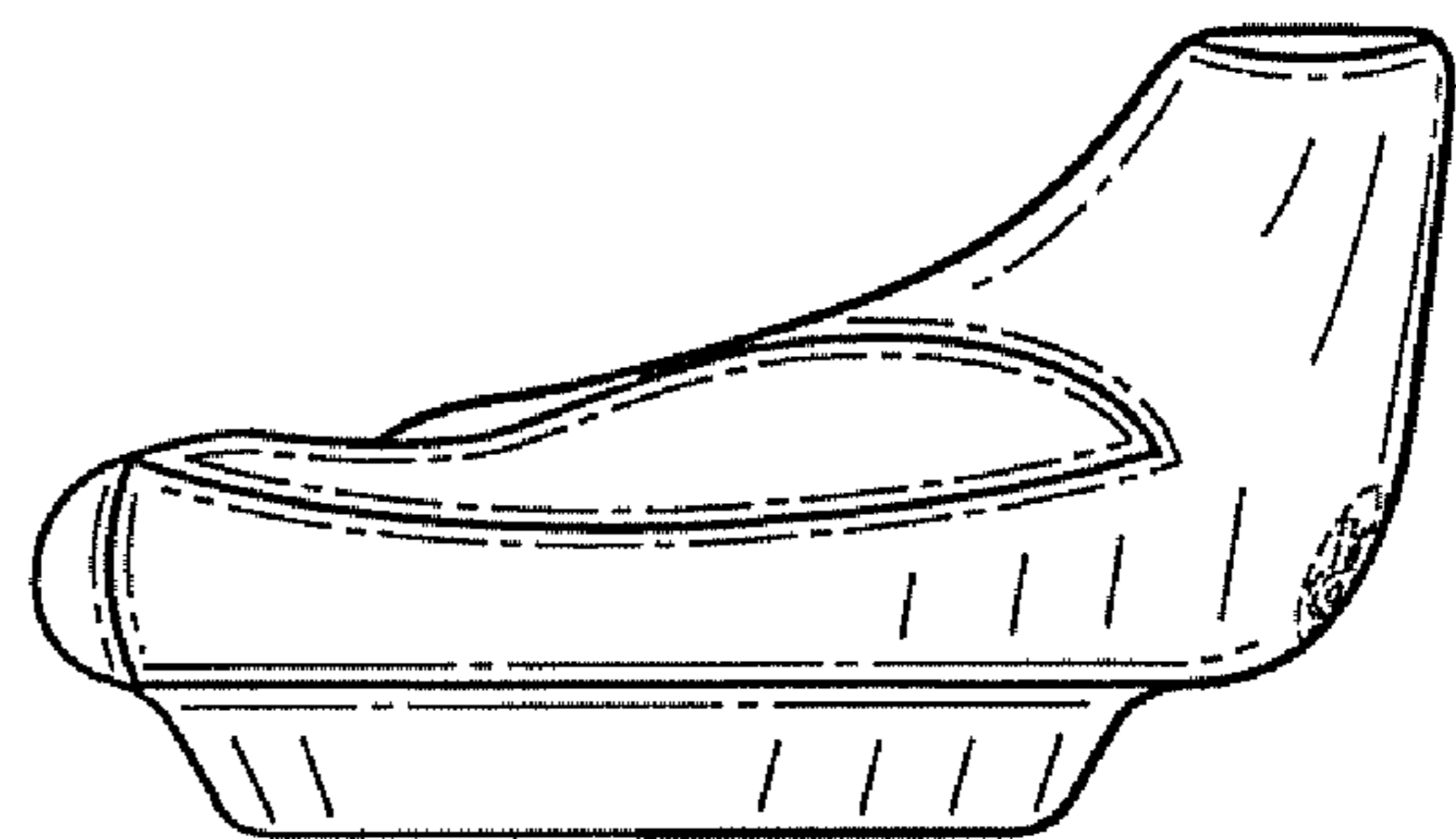


Fig. 8

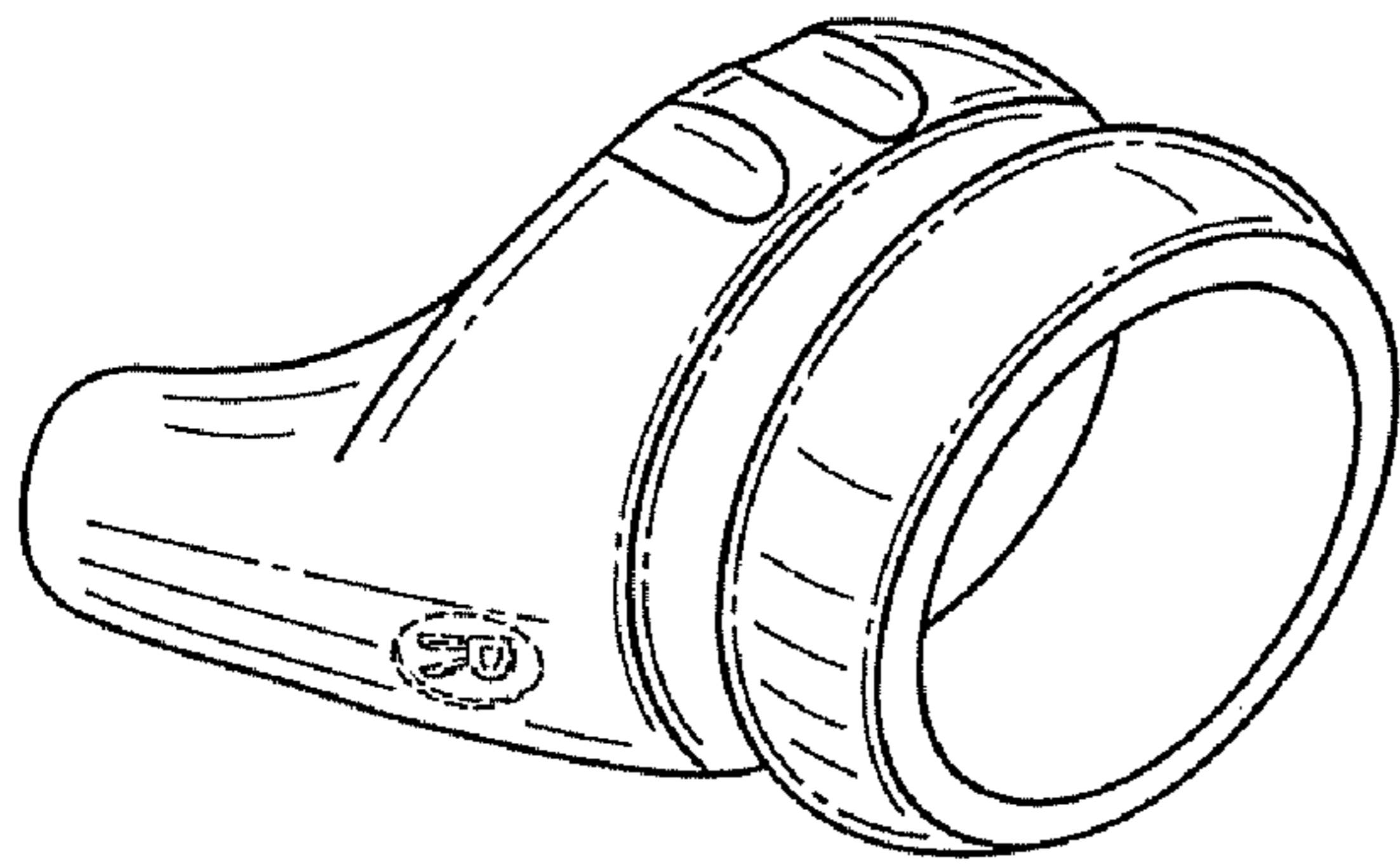


Fig. 9

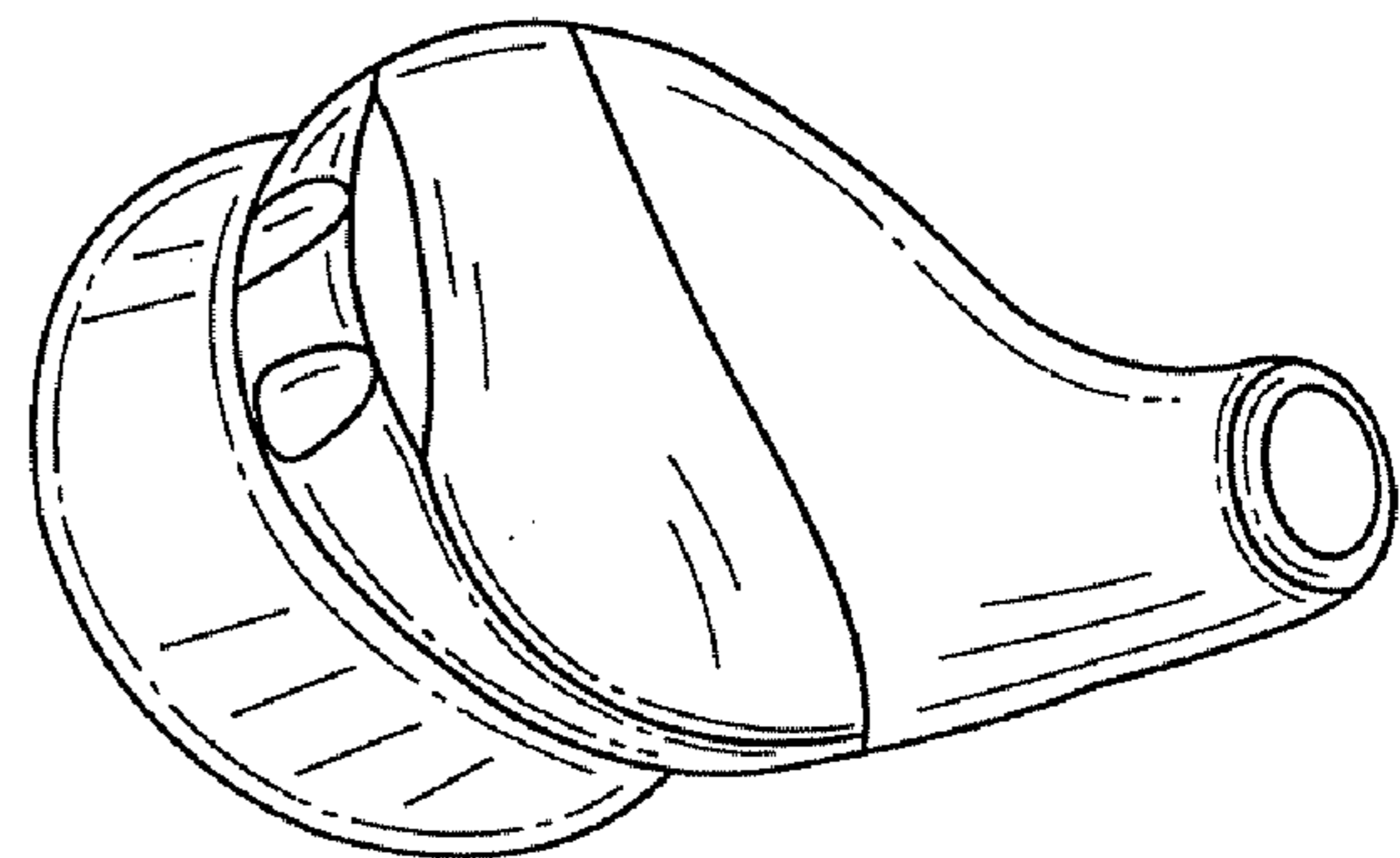


Fig. 10

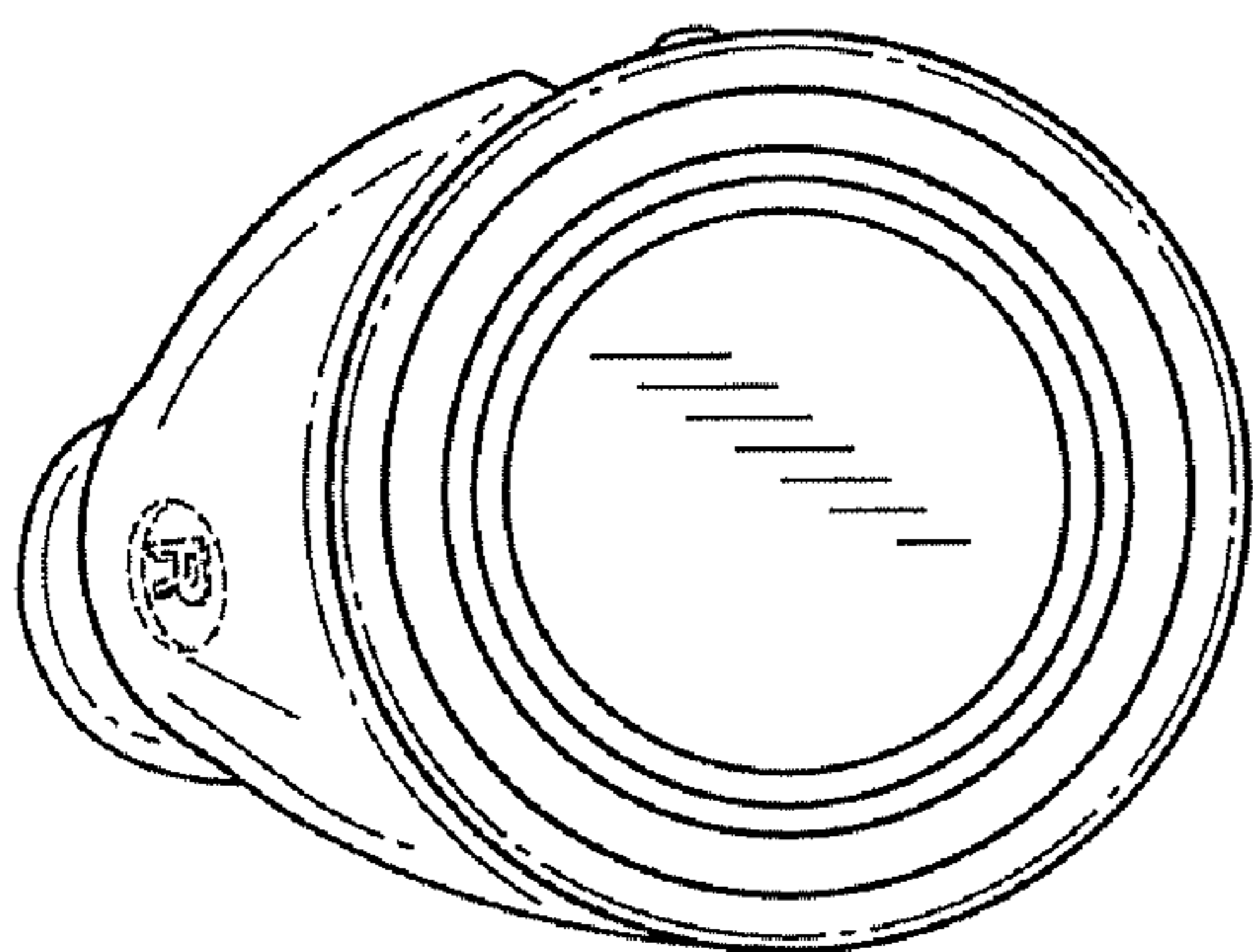


Fig. 11

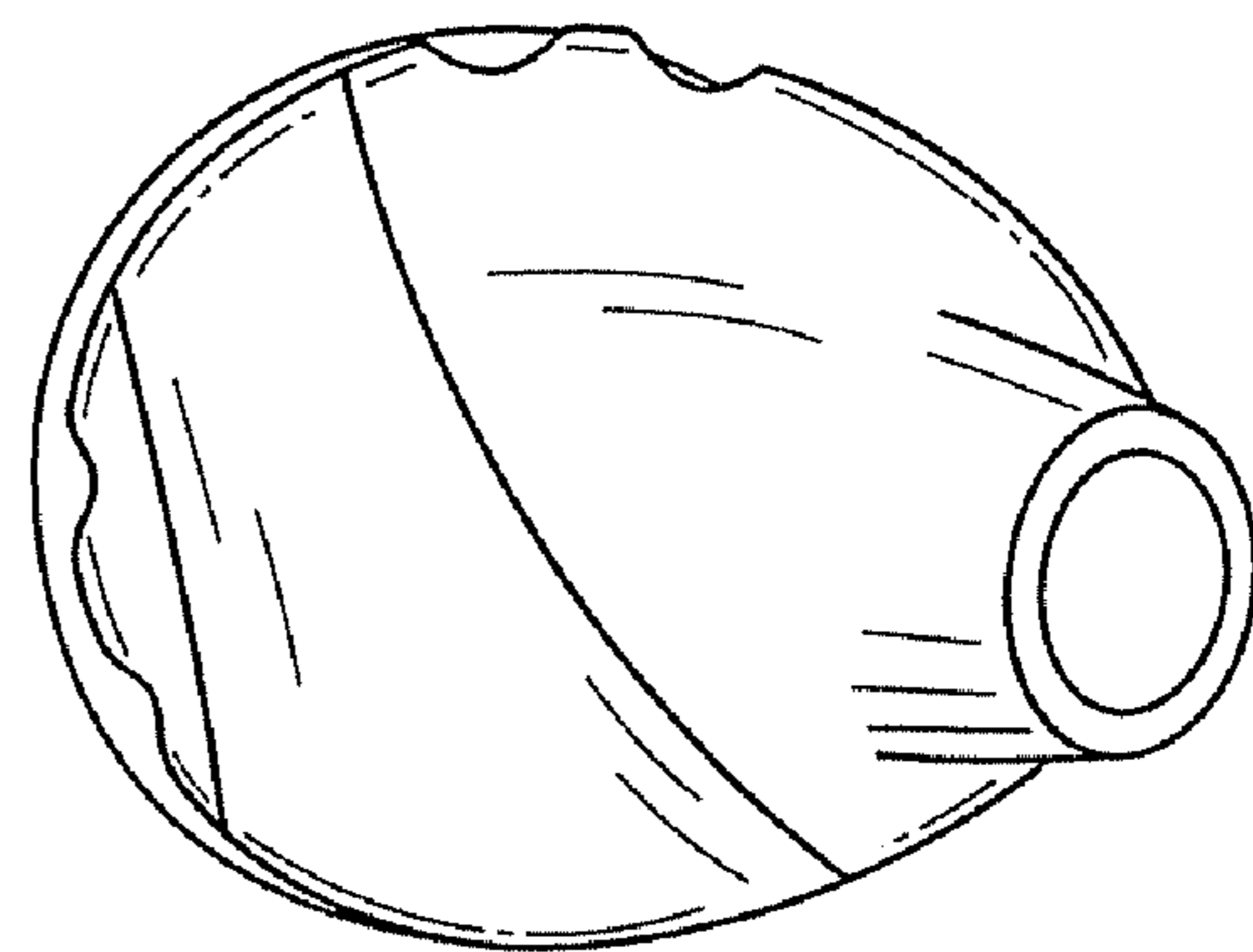


Fig. 12

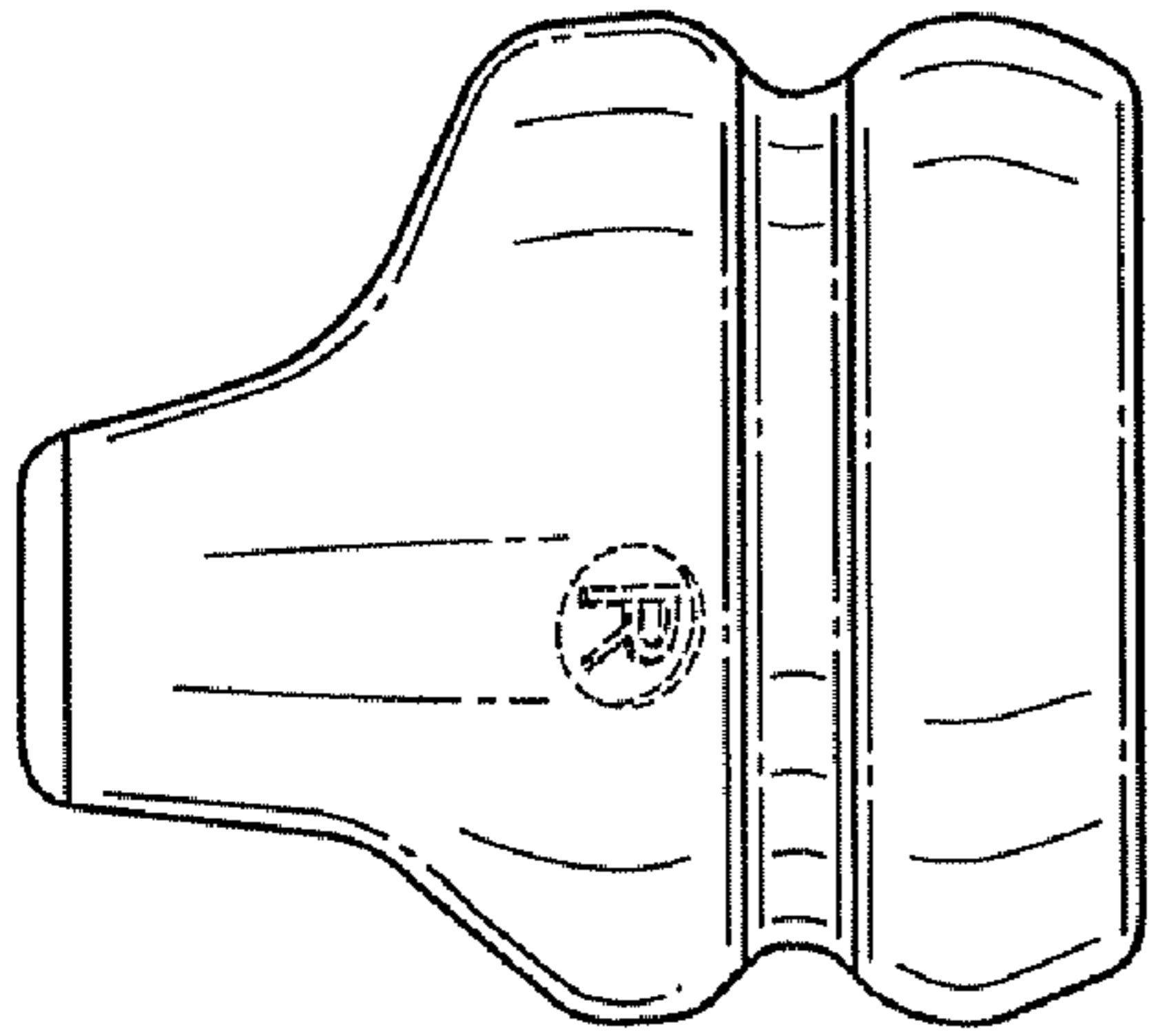


Fig. 13

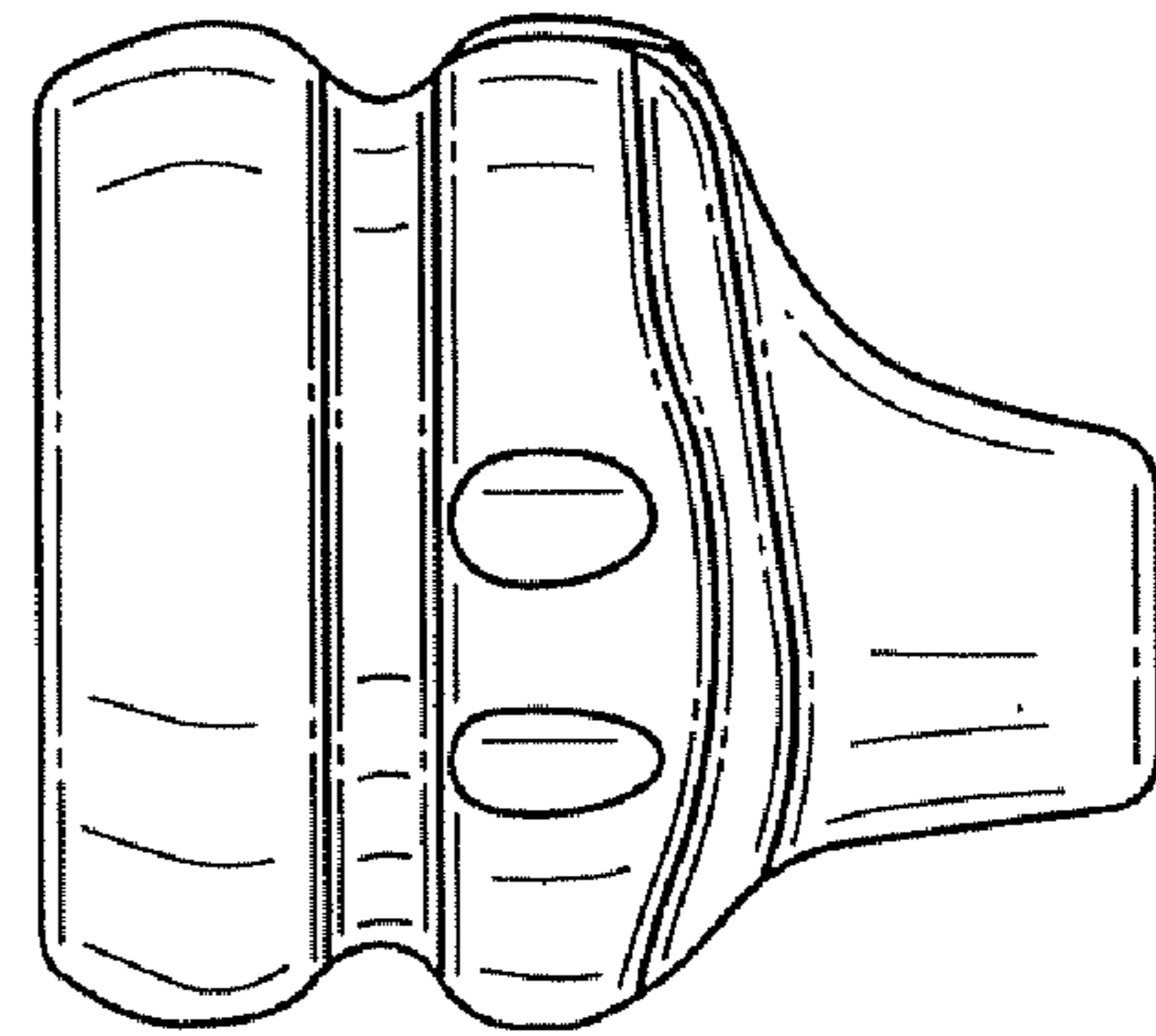


Fig. 14

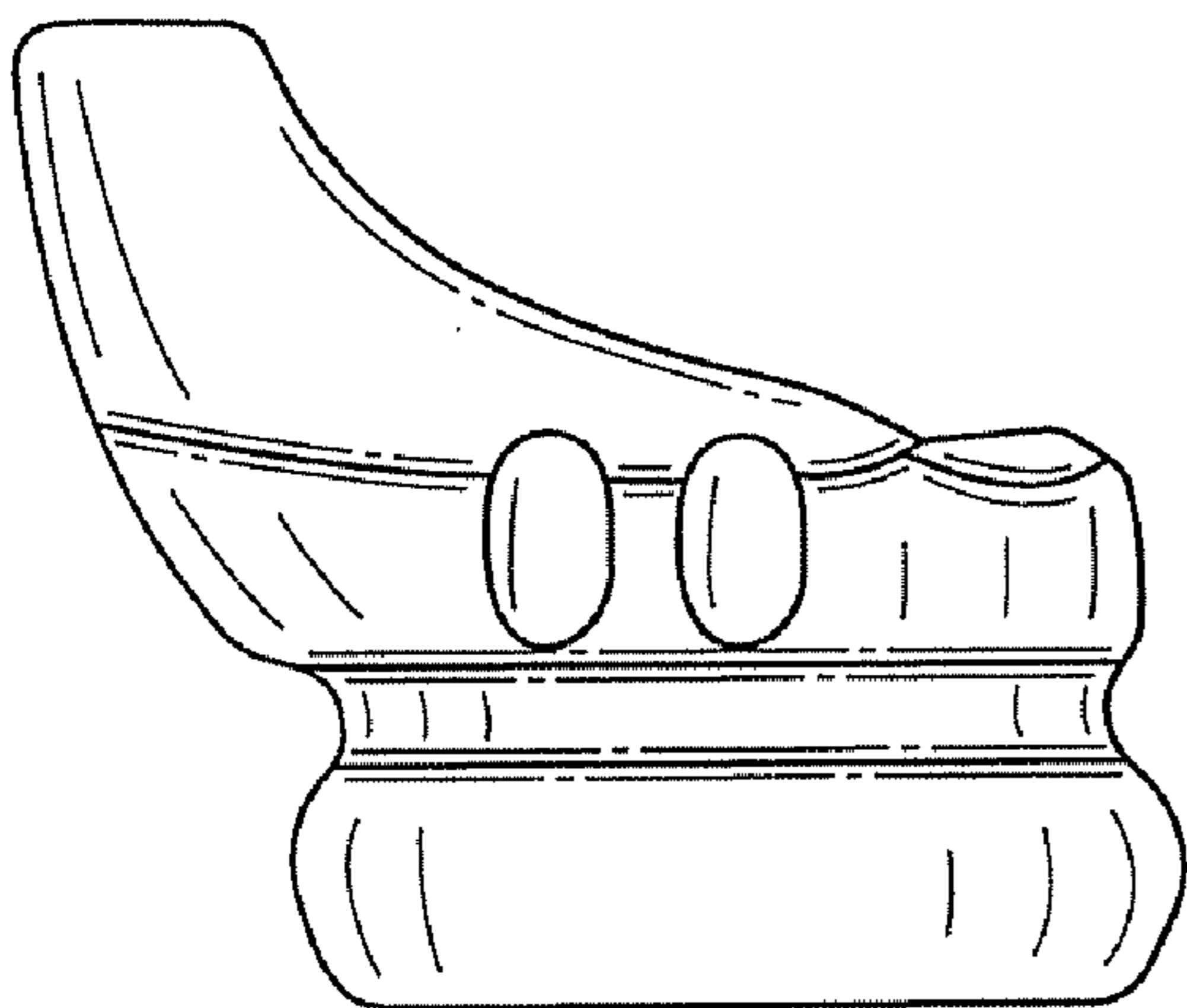


Fig. 15

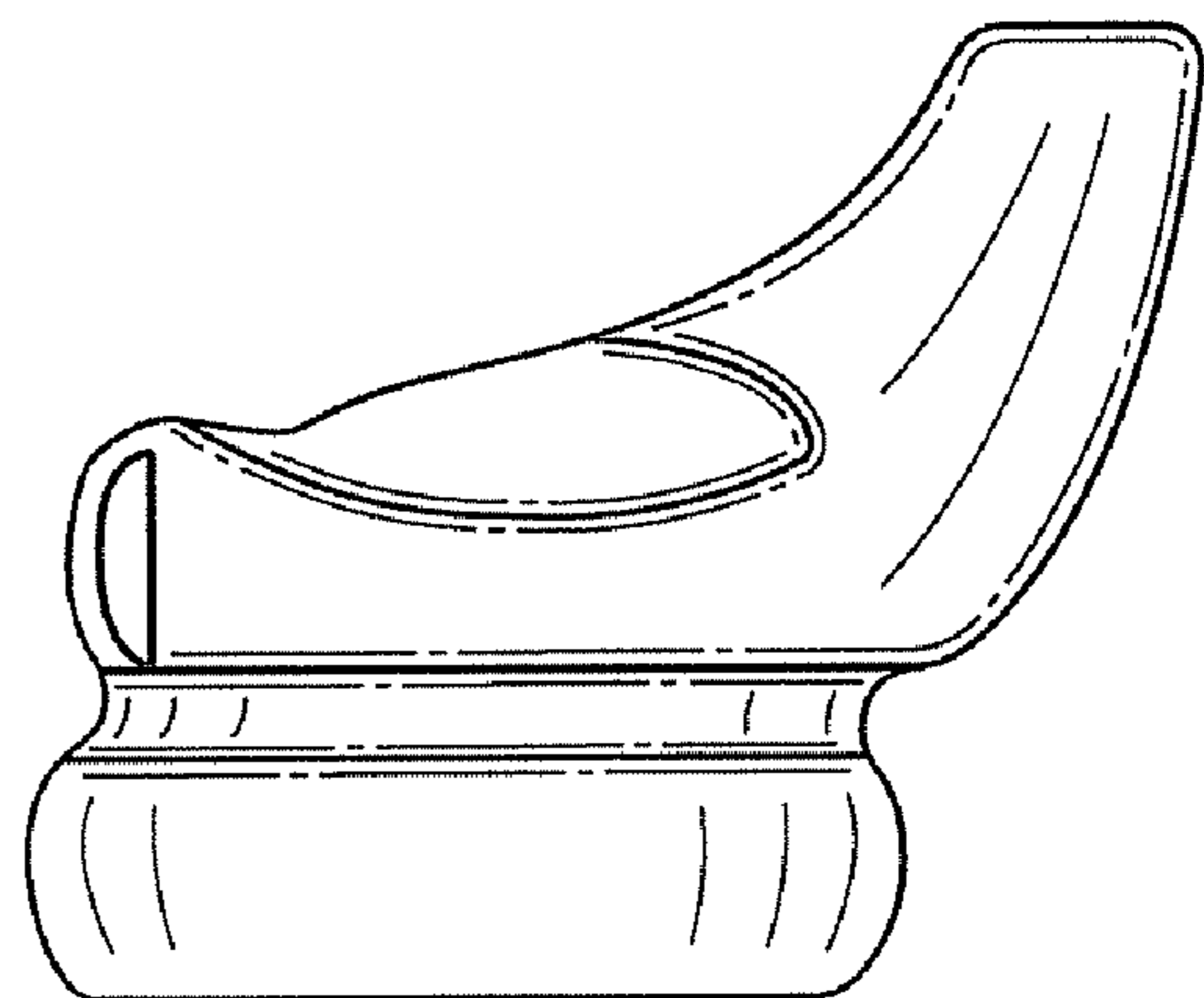


Fig. 16