



US00D618216S

(12) **United States Design Patent**
Constin et al.

(10) **Patent No.:** **US D618,216 S**
(45) **Date of Patent:** **** Jun. 22, 2010**

(54) **REMOTE CONTROL**

(75) Inventors: **Hans-Peter Constin**, Berlin (DE);
Aleksei Eisenach, Berlin (DE)

(73) Assignee: **Dream Property GmbH** (DE)

(**) Term: **14 Years**

(21) Appl. No.: **29/316,439**

(22) Filed: **Sep. 25, 2009**

(30) **Foreign Application Priority Data**

Mar. 26, 2009 (DE) 40 2009 001 518

(51) **LOC (9) Cl.** **14-03**

(52) **U.S. Cl.** **D14/218**

(58) **Field of Classification Search** D14/218,
D14/455; D13/168; D21/566; D10/104,
D10/106; 345/169; 348/14.05, 114, 211.99,
348/734; 340/825.24; 341/22; 455/92, 95,
455/128, 151.1–151.4, 352, 355, FOR. 121;
700/65

See application file for complete search history.

(56) **References Cited**

U.S. PATENT DOCUMENTS

D366,042 S * 1/1996 Laituri D14/218
D432,525 S * 10/2000 Beecroft D14/218
D476,643 S * 7/2003 Yamagishi D14/218

D523,420 S * 6/2006 Mabry D14/218
D543,197 S * 5/2007 Loughnane D14/218
D580,916 S * 11/2008 Huang D14/218
D591,272 S * 4/2009 Vitito D14/218
D609,222 S * 2/2010 Shin D14/218

* cited by examiner

Primary Examiner—T. Chase Nelson
Assistant Examiner—John Windmuller

(74) *Attorney, Agent, or Firm*—Harness, Dickey & Pierce,
P.L.C.

(57) **CLAIM**

The ornamental design for a remote control, as shown and described.

DESCRIPTION

FIG. 1 is a perspective view of a remote control embodying our new design;

FIG. 2 is a front view thereof;

FIG. 3 is a rear view thereof;

FIG. 4 is a left side view thereof;

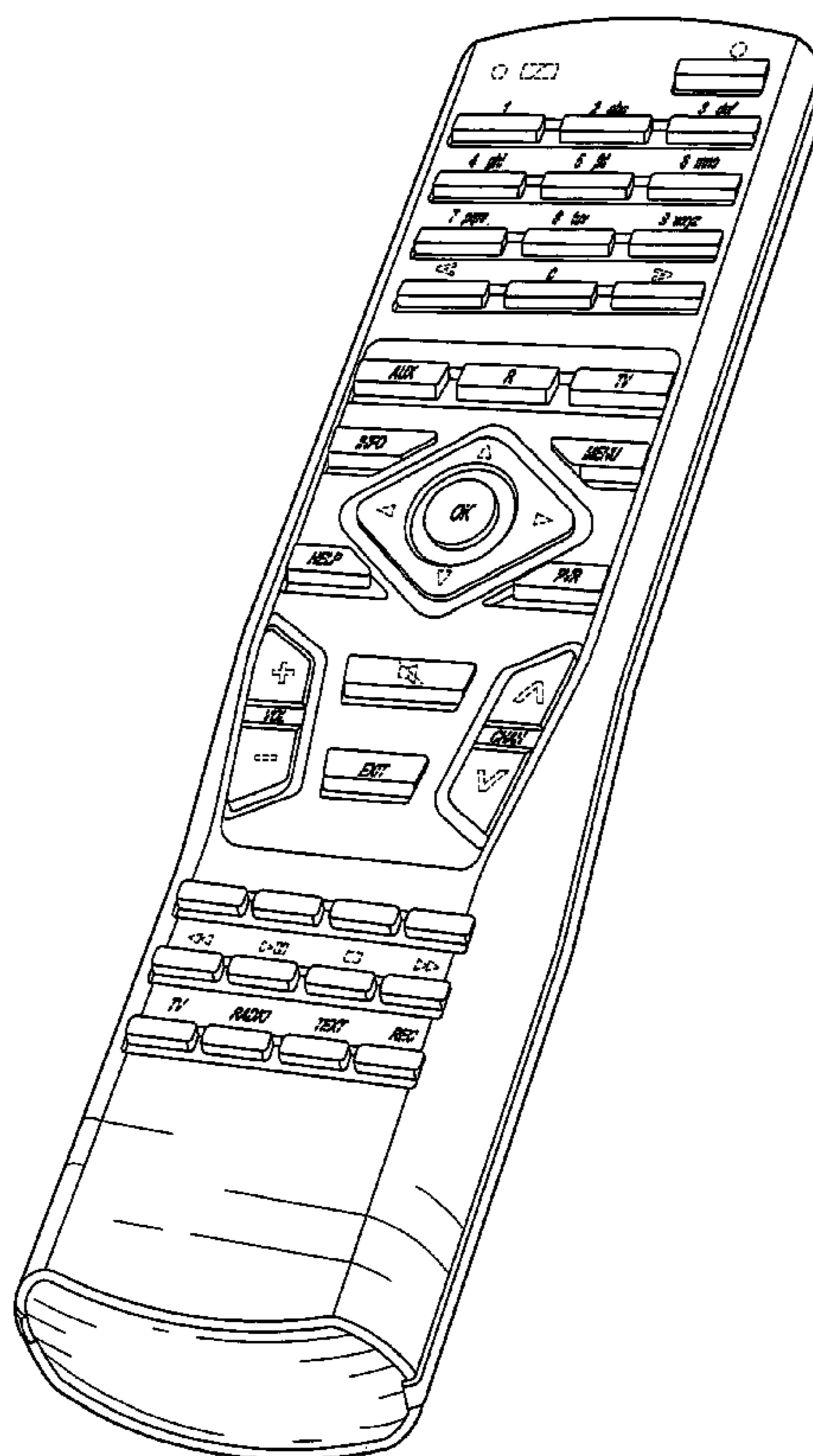
FIG. 5 is a right side view thereof;

FIG. 6 is a top view thereof; and,

FIG. 7 is a bottom view thereof.

The broken lines in the figures depict portions of the remote control that form no part of the claimed design.

1 Claim, 3 Drawing Sheets



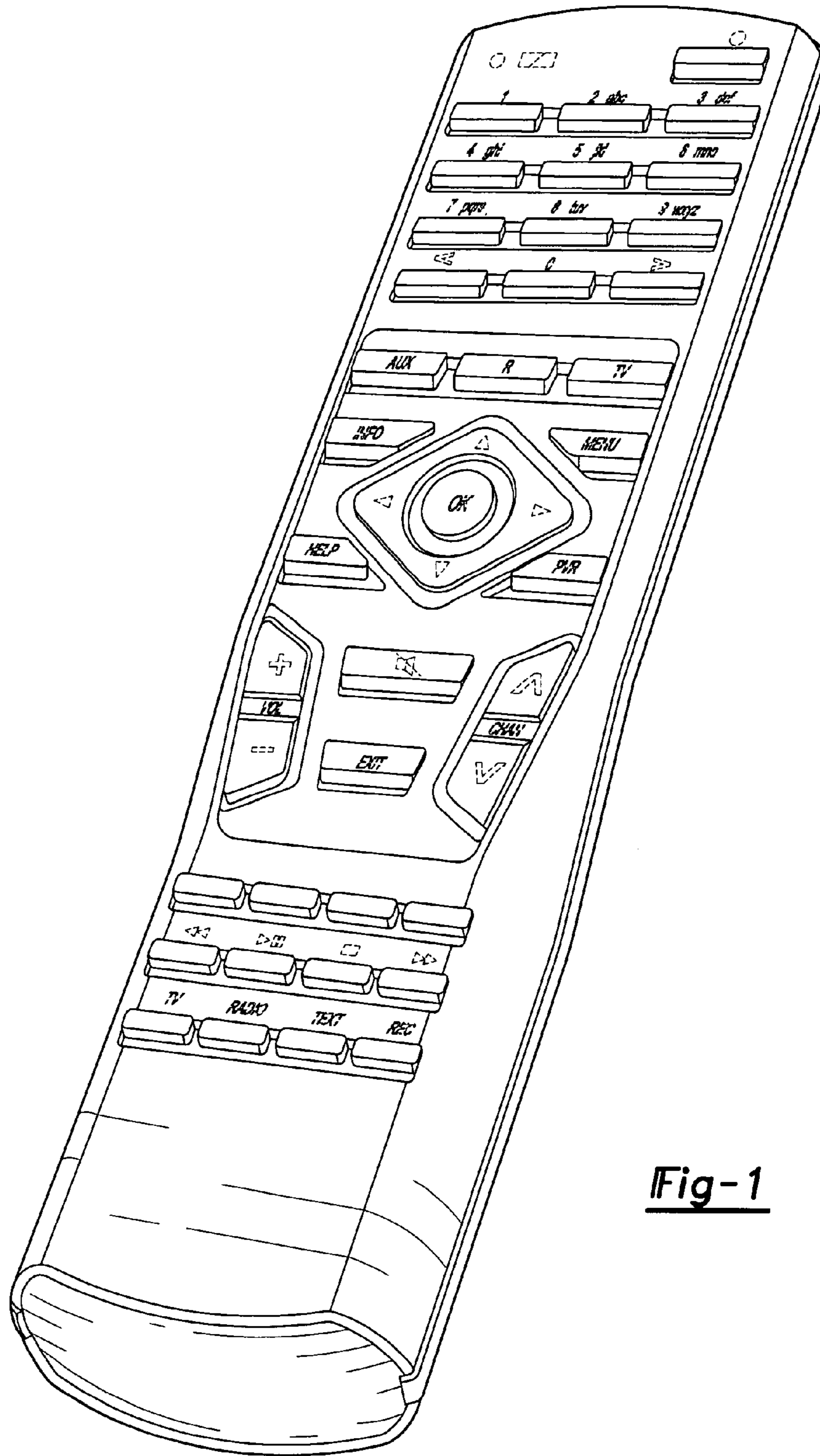


Fig-1

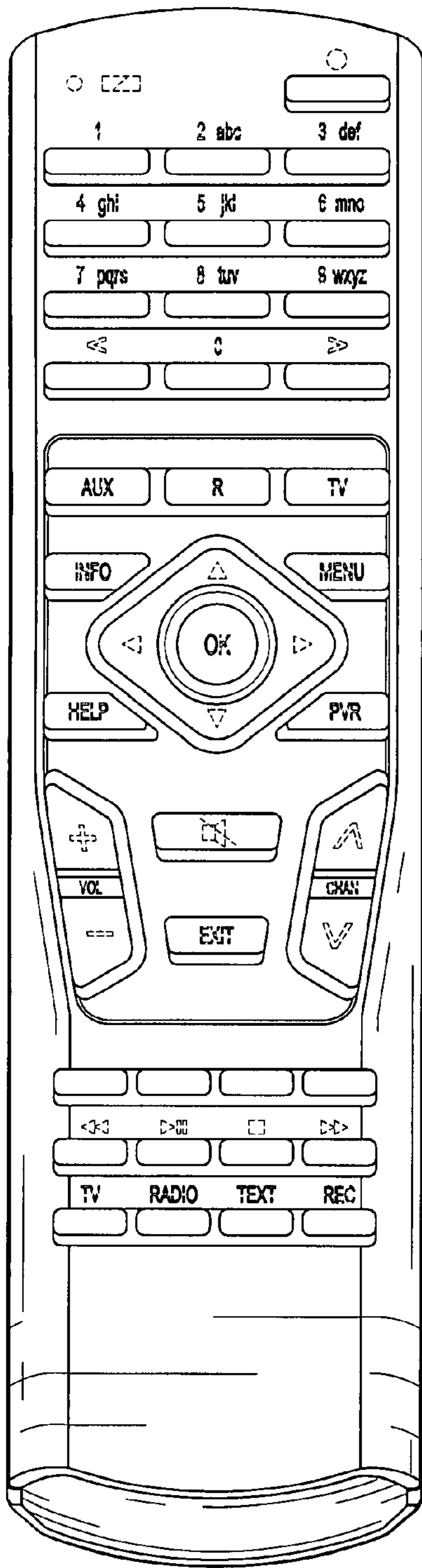


Fig-2

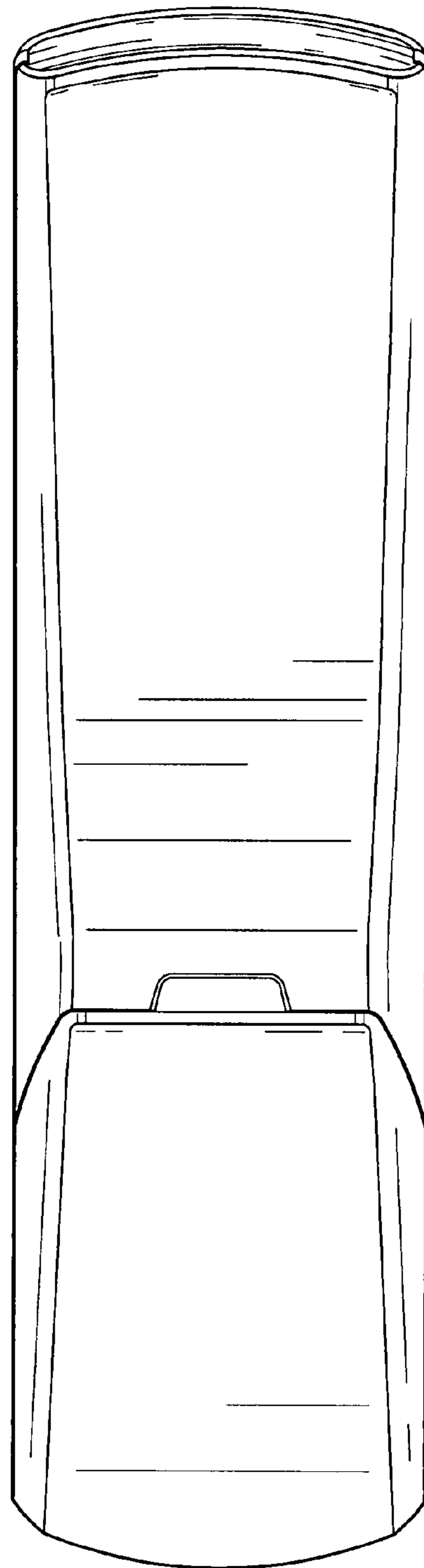


Fig-3



Fig-4



Fig-5

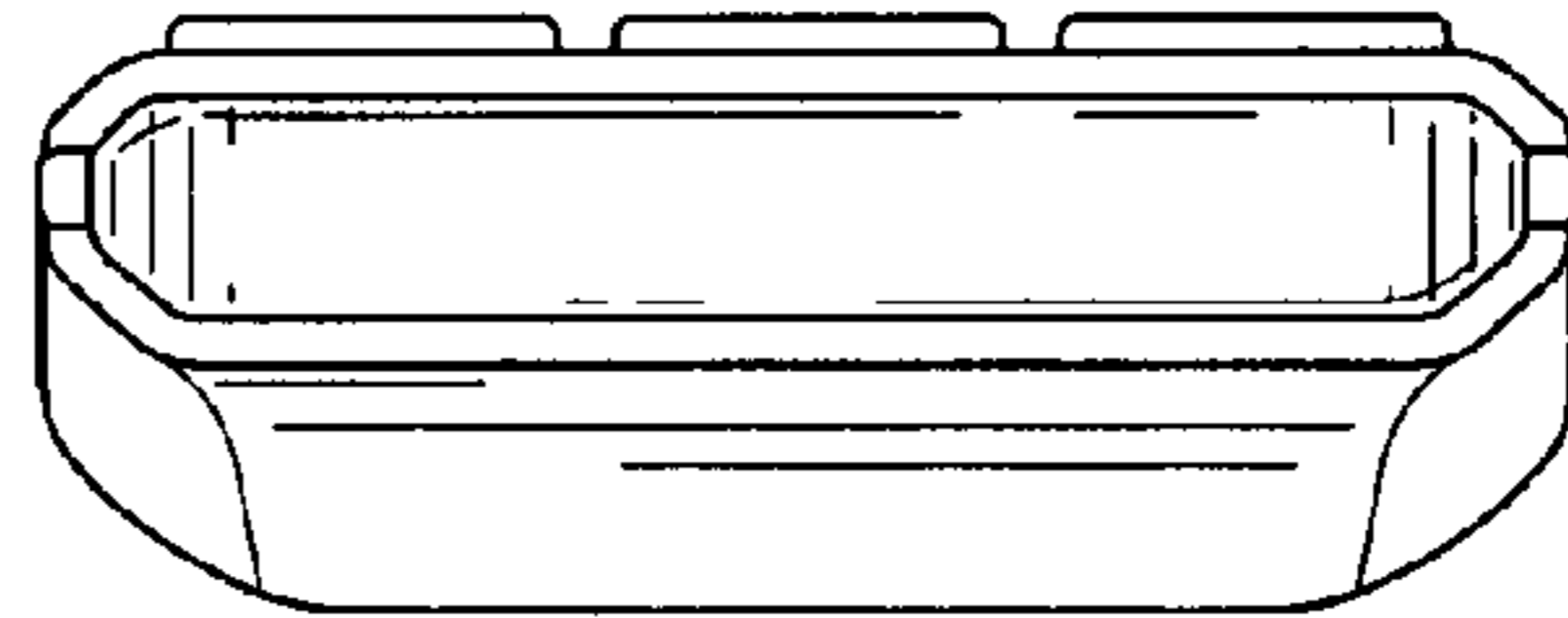


Fig-6

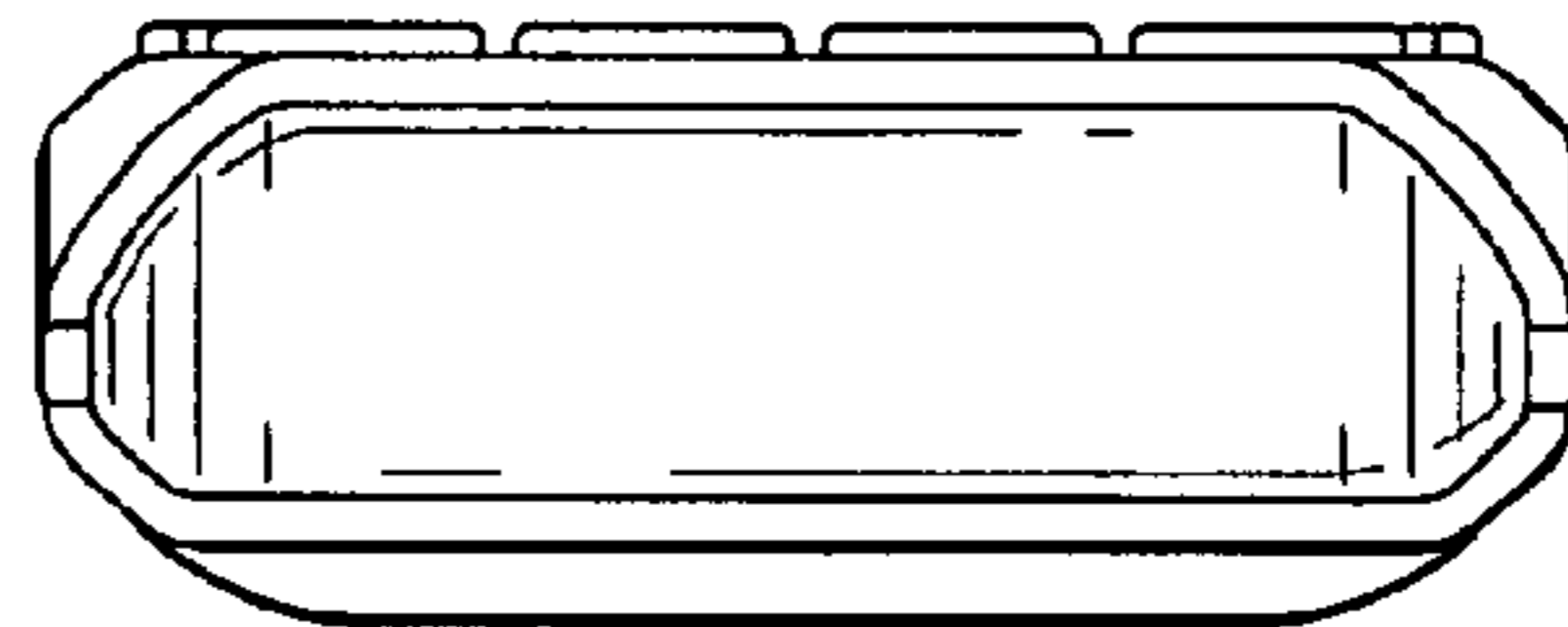


Fig-7