



US00D618215S

(12) **United States Design Patent**
Wang et al.

(10) **Patent No.:** **US D618,215 S**

(45) **Date of Patent:** **** Jun. 22, 2010**

(54) **SPEAKER**

D544,466 S * 6/2007 Pincek et al. D14/214
D581,901 S * 12/2008 Pincek et al. D14/214

(75) Inventors: **Bowman Wang**, Ben Lomond, CA (US);
Minsung Kwon, San Jose, CA (US)

* cited by examiner

(73) Assignee: **Altec Lansing, LLC**, Milford, PA (US)

Primary Examiner—Nanda Bondade
(74) *Attorney, Agent, or Firm*—Greenberg Traurig LLP

(**) Term: **14 Years**

(57) **CLAIM**

(21) Appl. No.: **29/342,909**

The ornamental design for a speaker, as shown and described.

(22) Filed: **Sep. 2, 2009**

DESCRIPTION

(51) **LOC (9) Cl.** **14-01**

(52) **U.S. Cl.** **D14/215**

(58) **Field of Classification Search** D14/204,
D14/207, 209, 209.1, 210–216, 172; 181/143–144,
181/147–148, 150–153, 157, 198–199; 381/300–303,
381/306, 332–333, 336, 345, 361–364, 386–388
See application file for complete search history.

FIG. 1 is a perspective view of a speaker showing our new design;

FIG. 2 is a front view thereof;

FIG. 3 is a back view thereof;

FIG. 4 is a top view thereof;

FIG. 5 is a bottom view thereof;

FIG. 6 is a right side view thereof; and,

FIG. 7 is a left side view thereof.

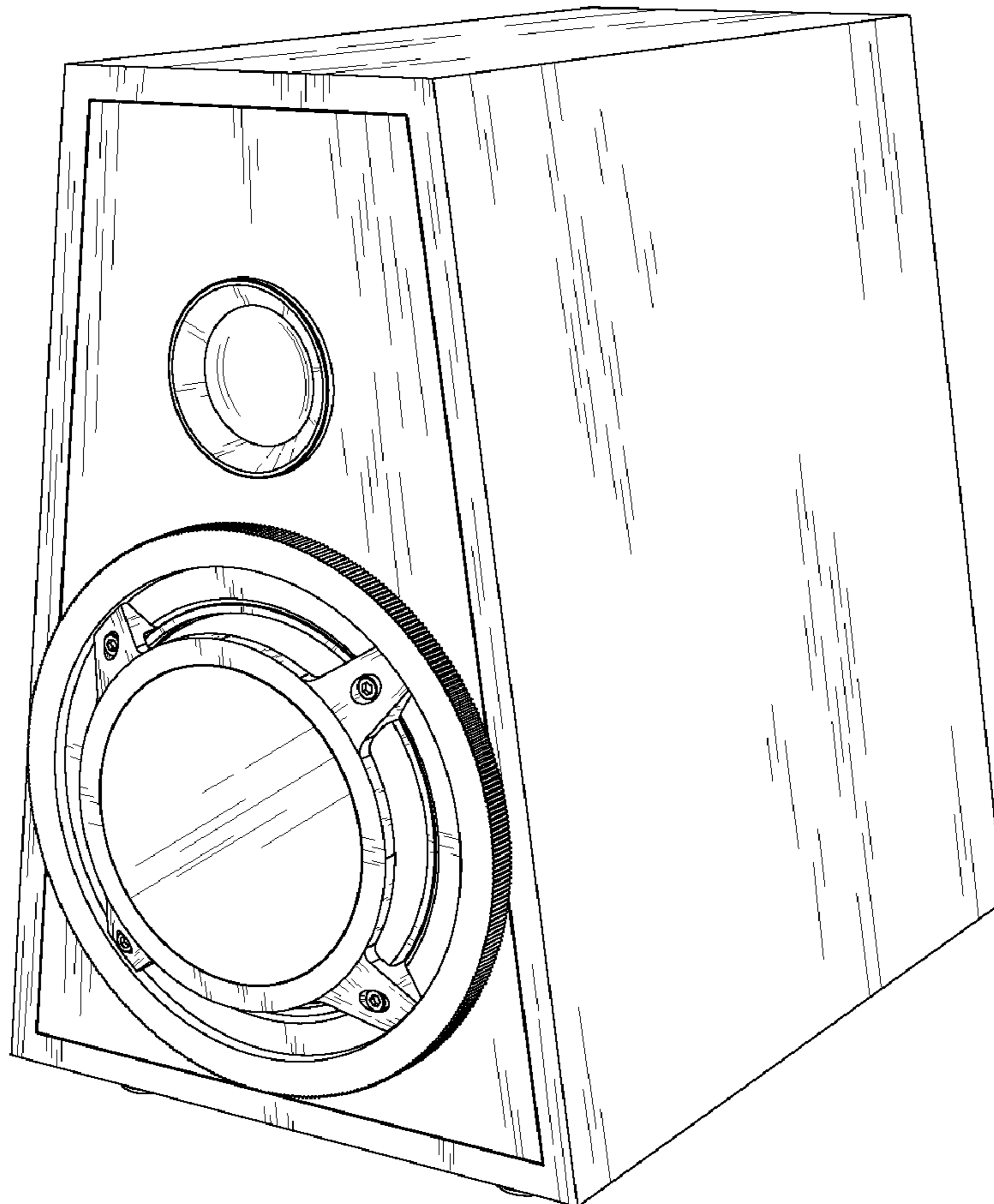
The broken lines showing of the unclaimed environment forms no part of the claimed design.

(56) **References Cited**

U.S. PATENT DOCUMENTS

4,289,929 A * 9/1981 Hathaway 381/351
4,730,694 A * 3/1988 Albarino 181/153
4,924,964 A * 5/1990 Olsen 181/151
D439,237 S * 3/2001 Felix et al. D14/214

1 Claim, 4 Drawing Sheets



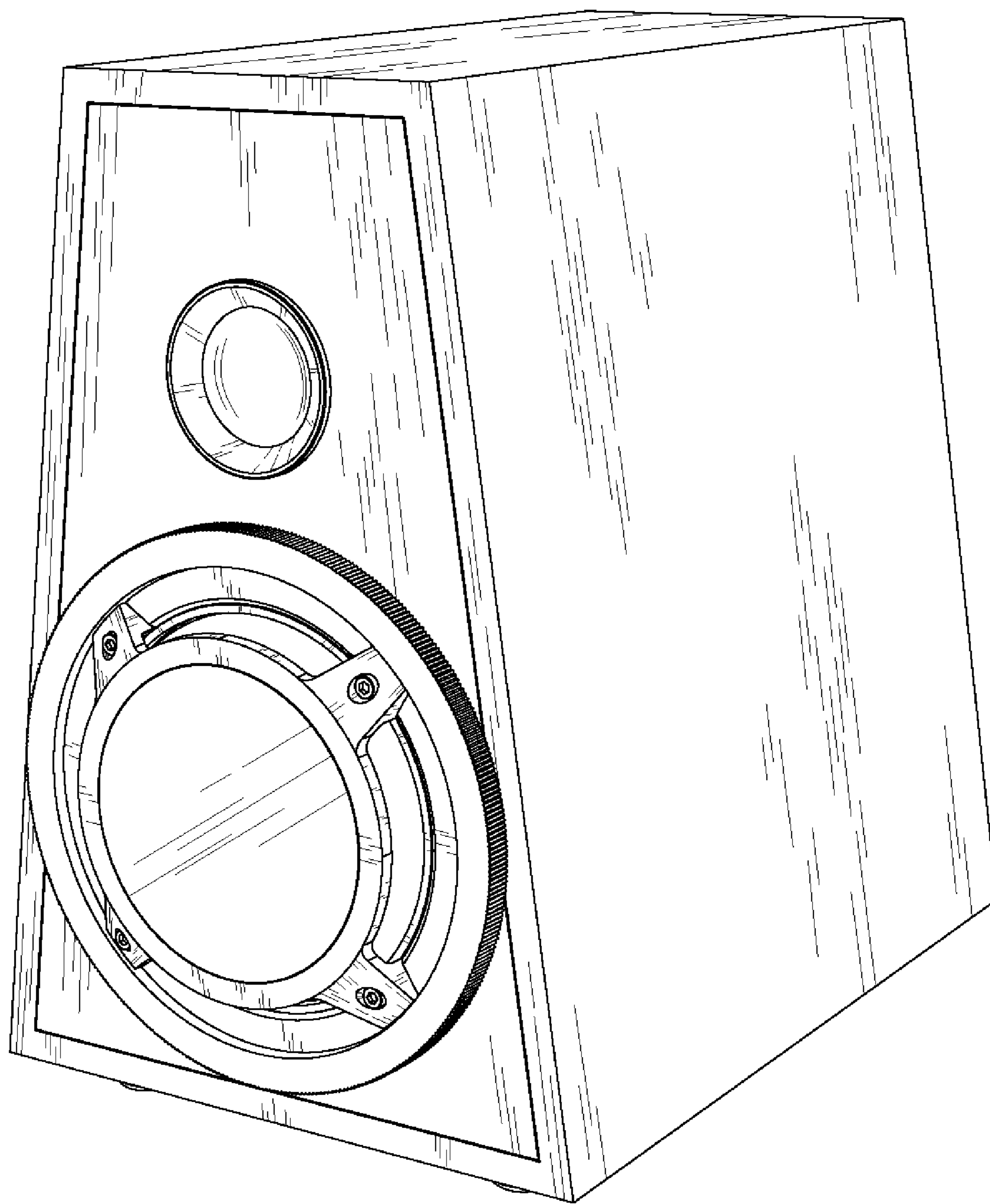


FIG. 1

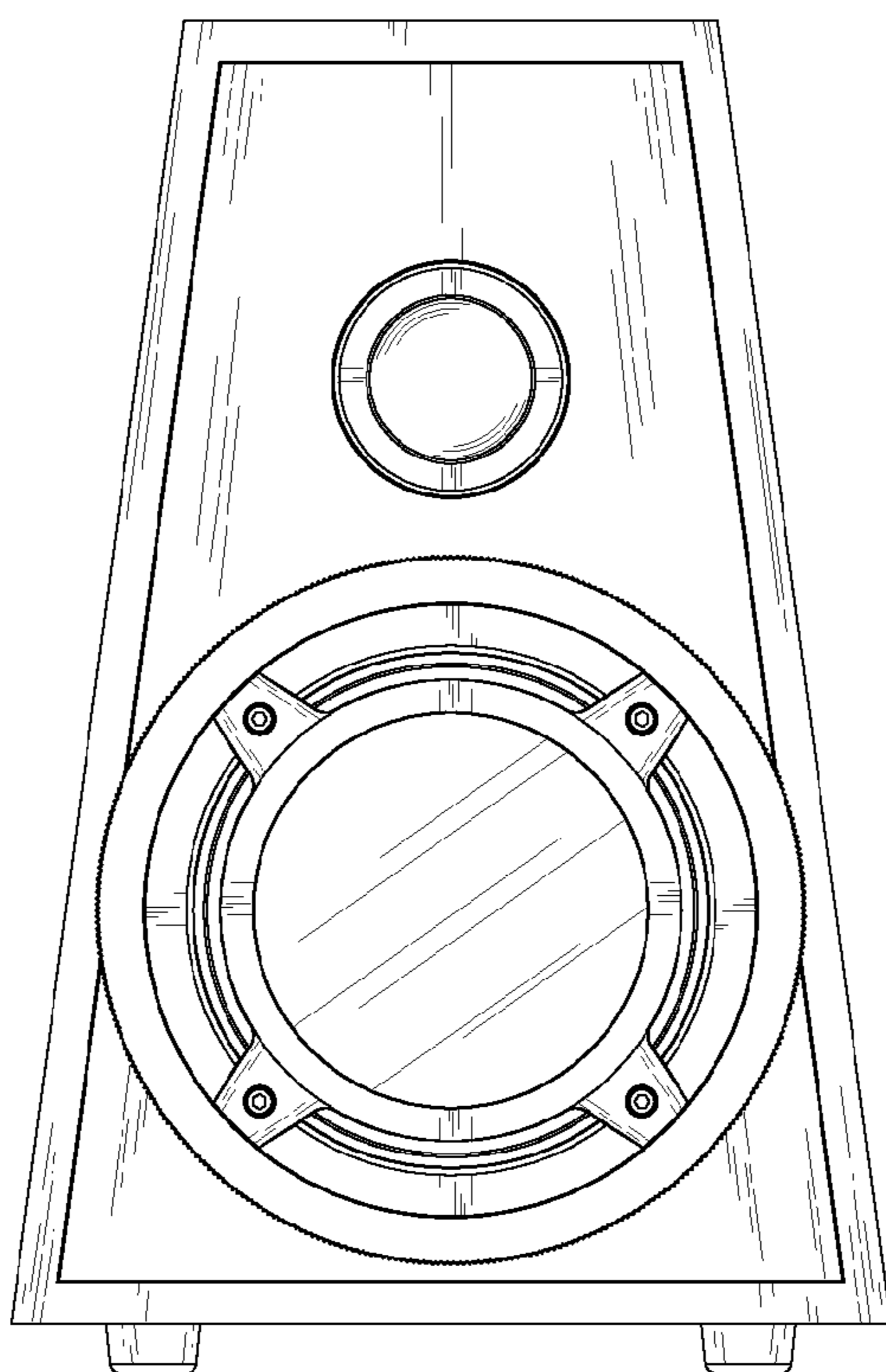


FIG. 2

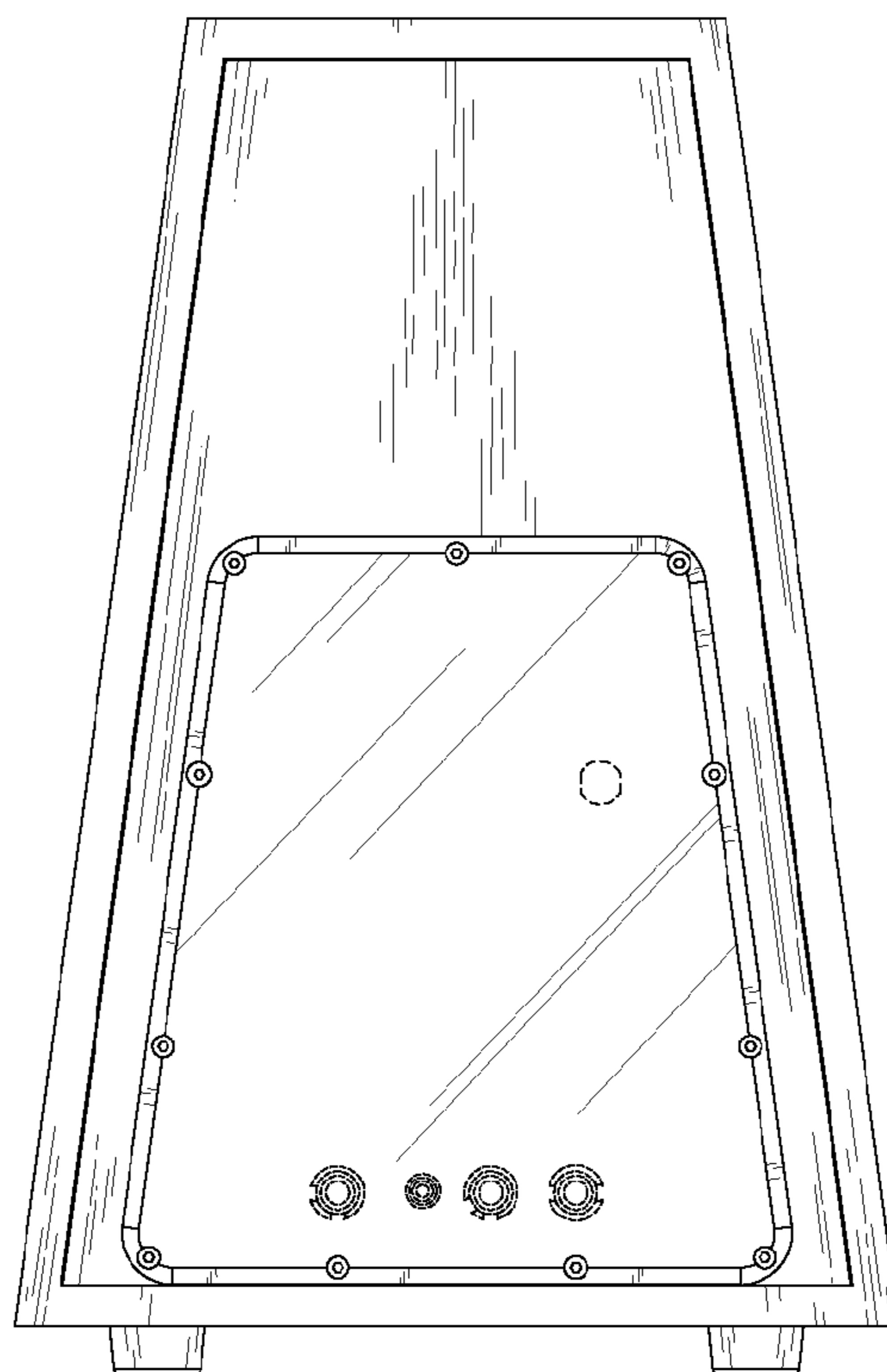


FIG. 3

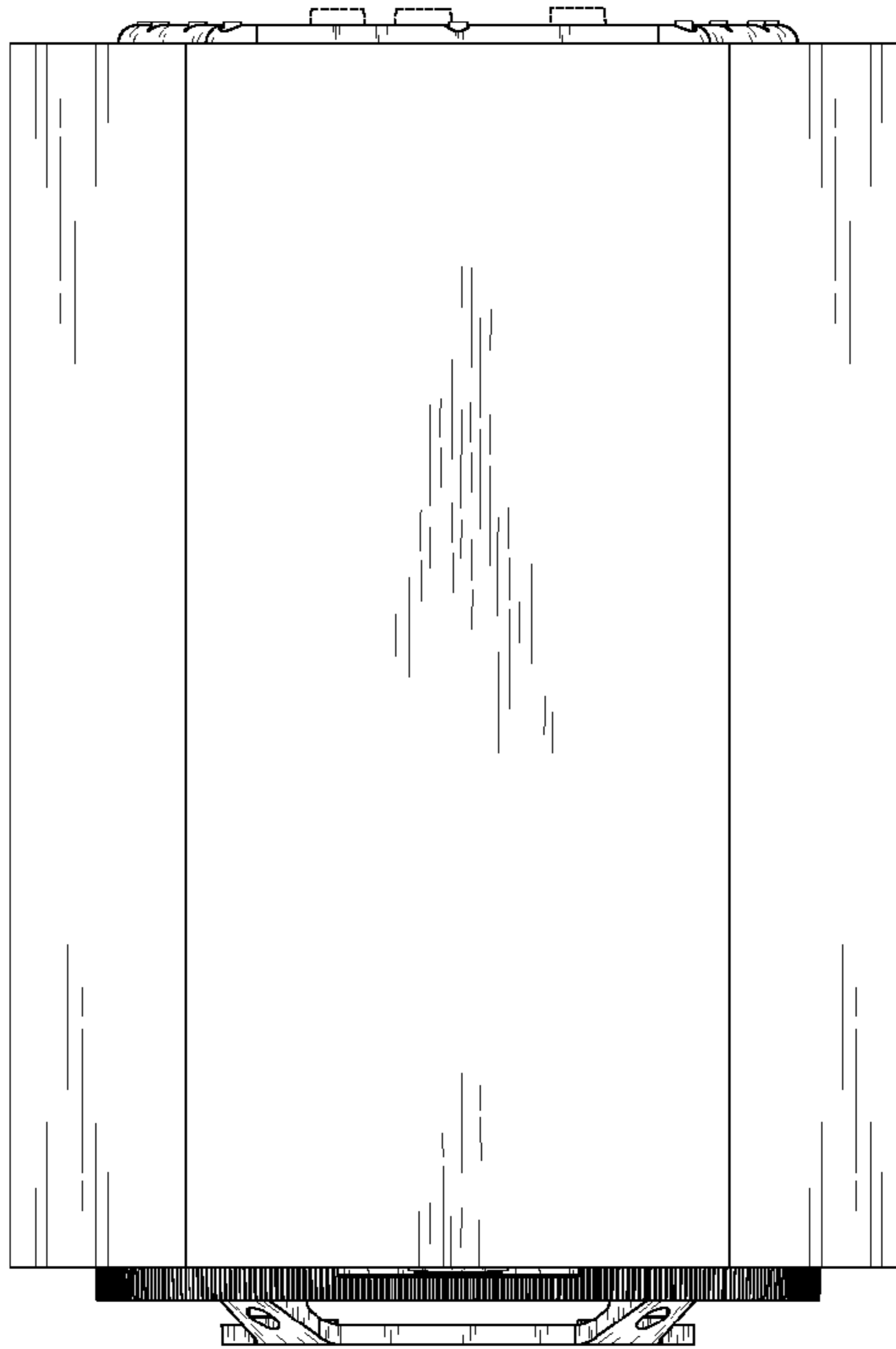


FIG. 4

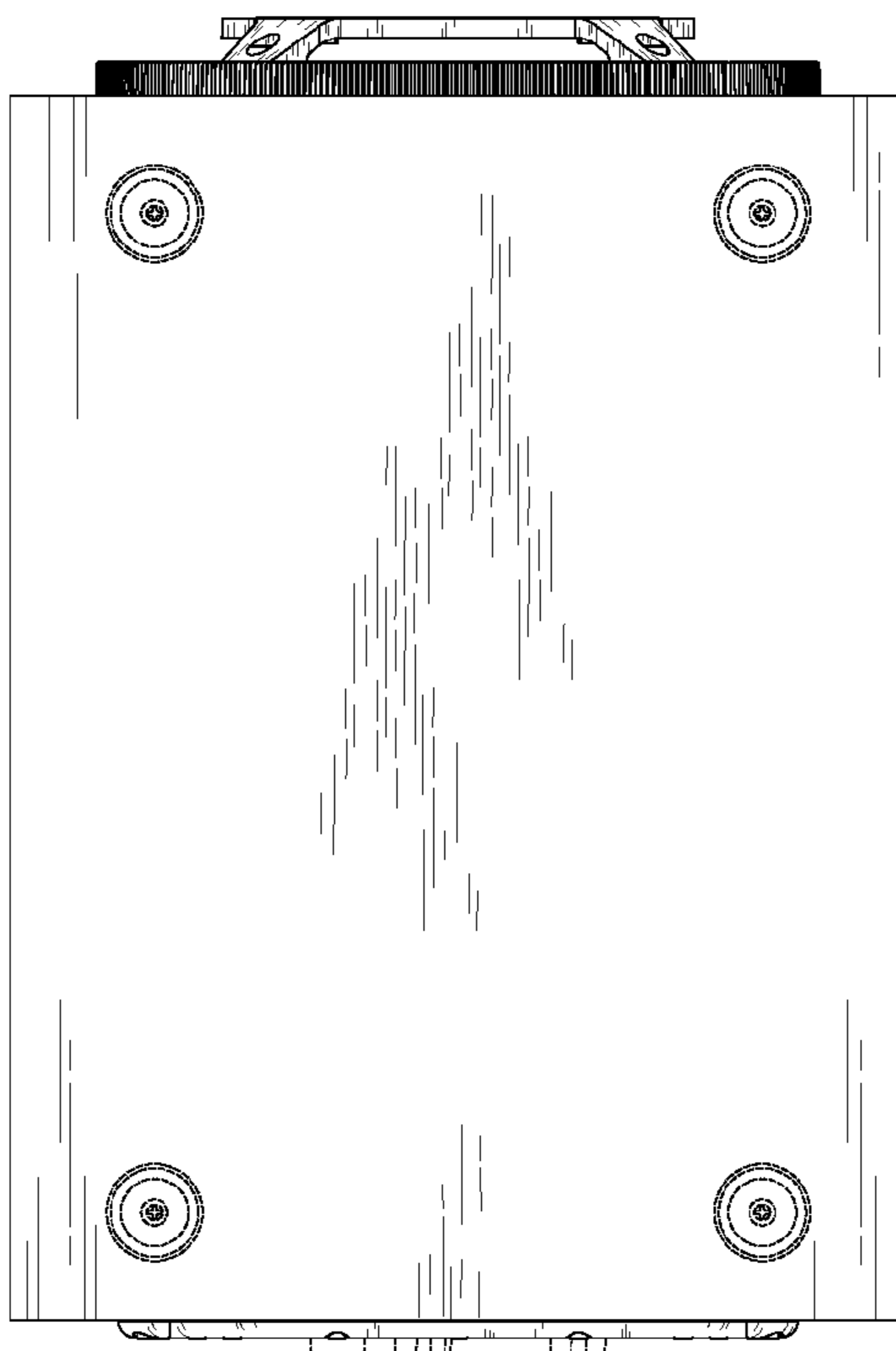


FIG. 5

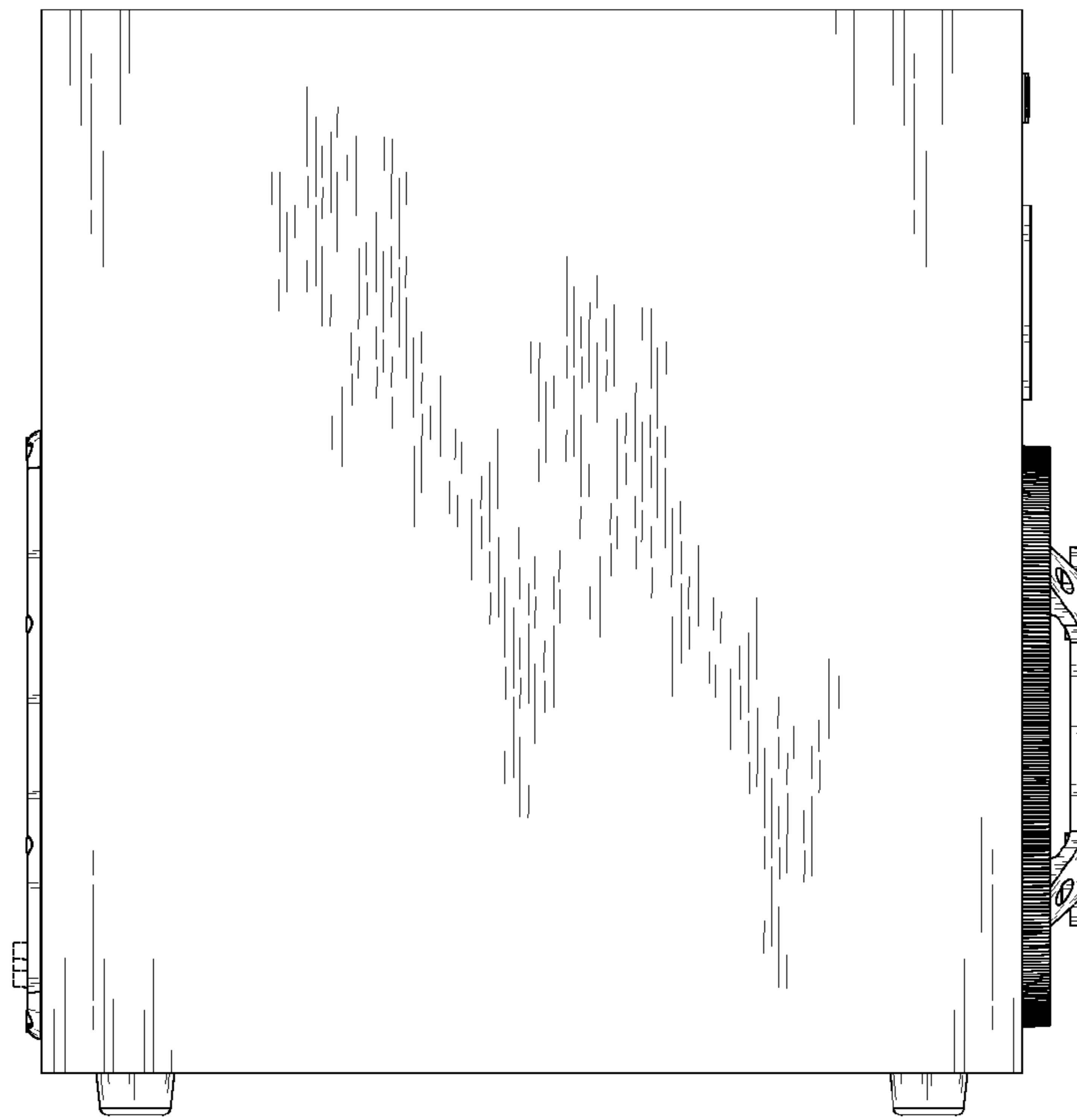


FIG. 6

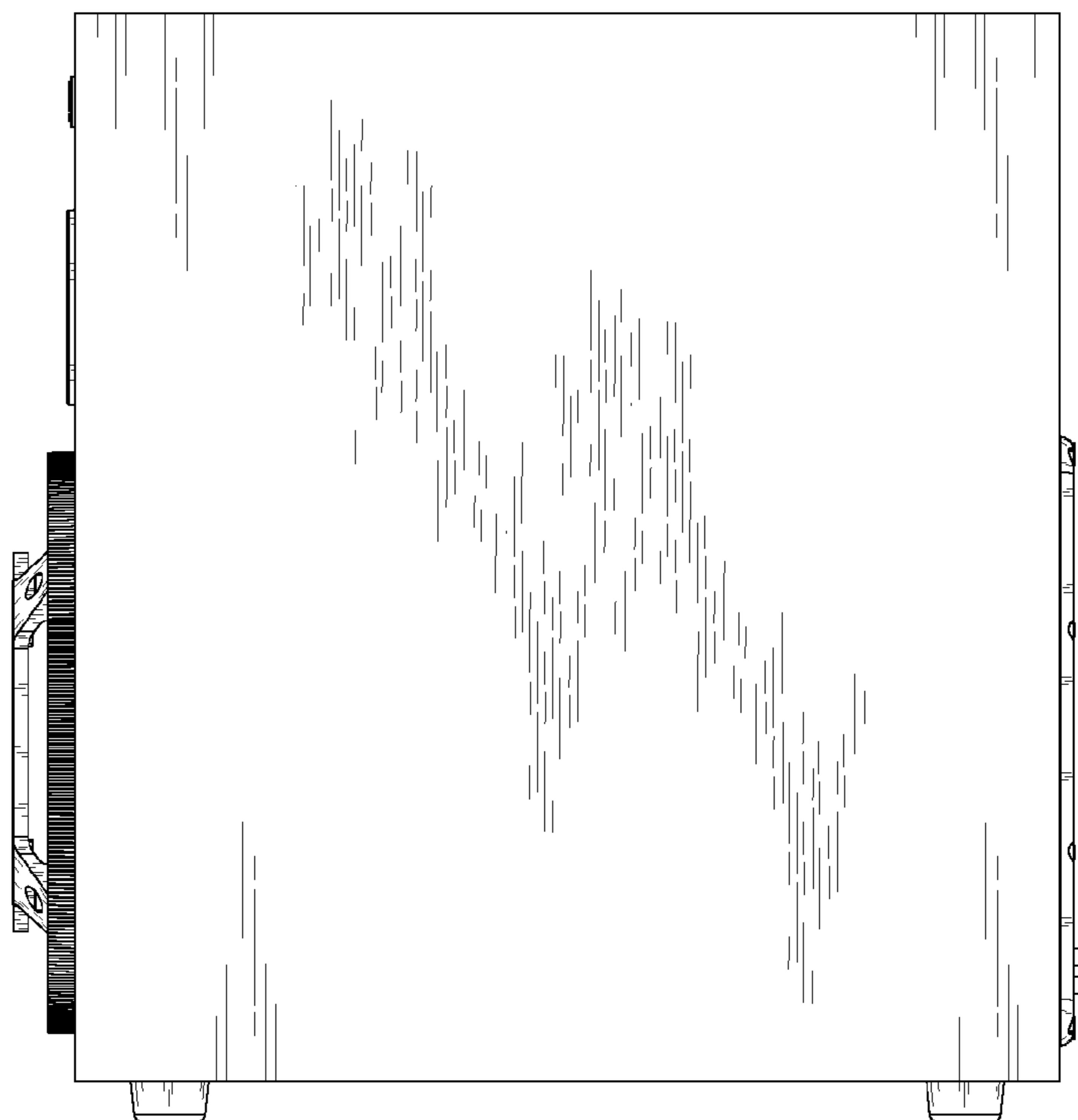


FIG. 7