



US00D618213S

(12) **United States Design Patent**
Goh et al.

(10) **Patent No.:** **US D618,213 S**

(45) **Date of Patent:** **** Jun. 22, 2010**

(54) **LOUDSPEAKER**

D578,997 S * 10/2008 Takuma D14/172
D589,939 S * 4/2009 Hsu D14/214

(75) Inventors: **Chun Long Jason Goh**, Singapore (SG);
Mei San Gigi Cho, Singapore (SG); **Soo Beng Damien Khoo**, Singapore (SG)

* cited by examiner

Primary Examiner—Nanda Bondade

(73) Assignee: **Creative Technology Ltd**, Singapore (SG)

(57) **CLAIM**

(**) Term: **14 Years**

The ornamental design for a loudspeaker, substantially as shown and described.

(21) Appl. No.: **29/342,148**

(22) Filed: **Aug. 19, 2009**

DESCRIPTION

(51) **LOC (9) Cl.** **14-01**

FIG. 1 is a front perspective view of the loudspeaker in accordance with the present design;

(52) **U.S. Cl.** **D14/209.1**; D14/214

FIG. 2 is a back perspective view of the loudspeaker shown in FIG. 1;

(58) **Field of Classification Search** D14/204,
D14/209.1, 210–217, 172; 181/143–144,
181/147–148, 150–153, 157, 198–199; 381/300–303,
381/306, 332–333, 336, 345, 361–364, 386–388
See application file for complete search history.

FIG. 3 is a front view of the loudspeaker shown in FIG. 1;

FIG. 4 is a back view of the loudspeaker shown in FIG. 1;

FIG. 5 is a left view of the loudspeaker shown in FIG. 1;

FIG. 6 is a right view of the loudspeaker shown in FIG. 1;

FIG. 7 is a top view of the loudspeaker shown in FIG. 1; and,

FIG. 8 is a bottom view of the loudspeaker shown in FIG. 1.

Features indicated in phantom (broken line) are for exemplary purposes only and form no part of the claimed design.

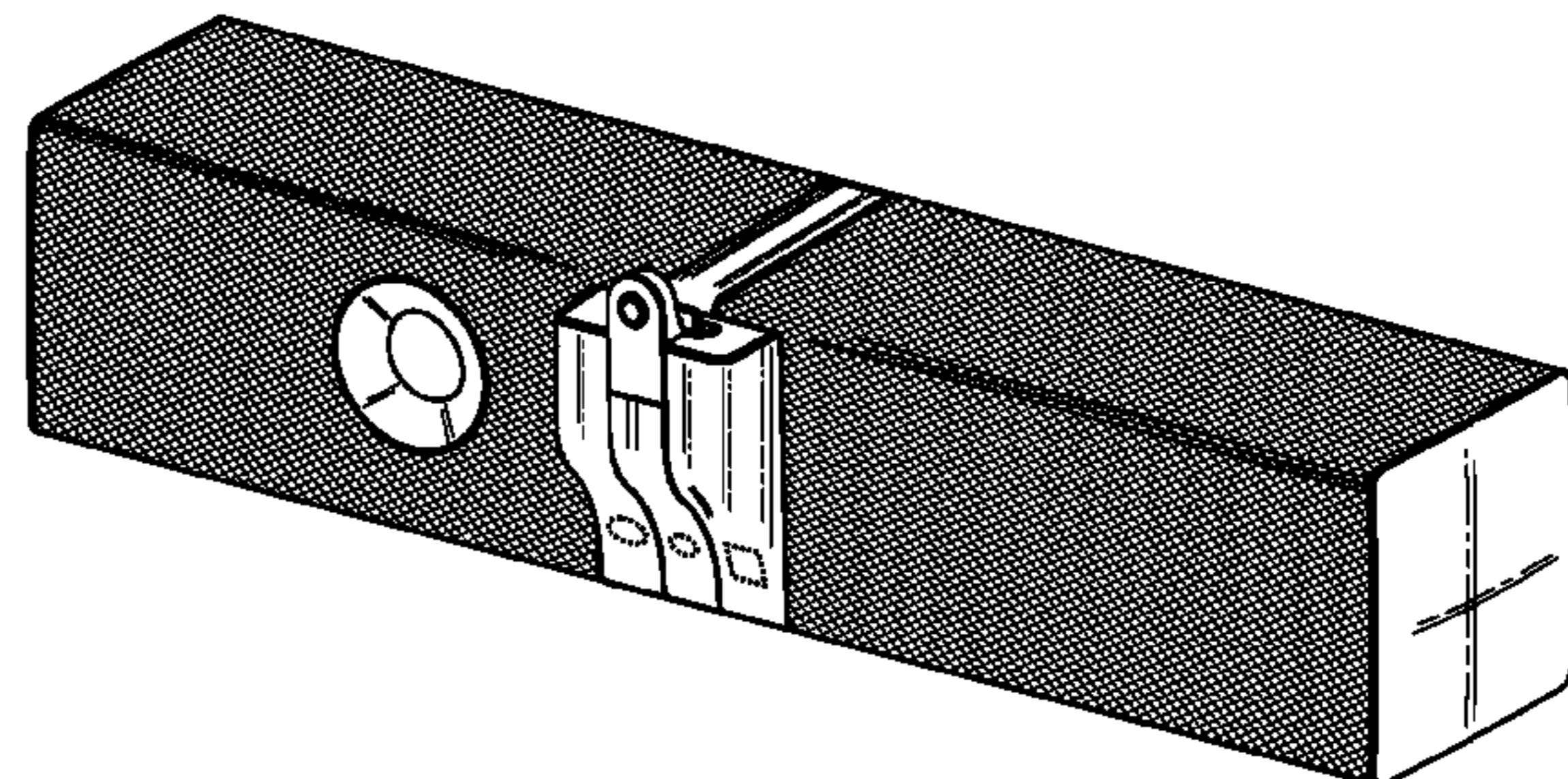
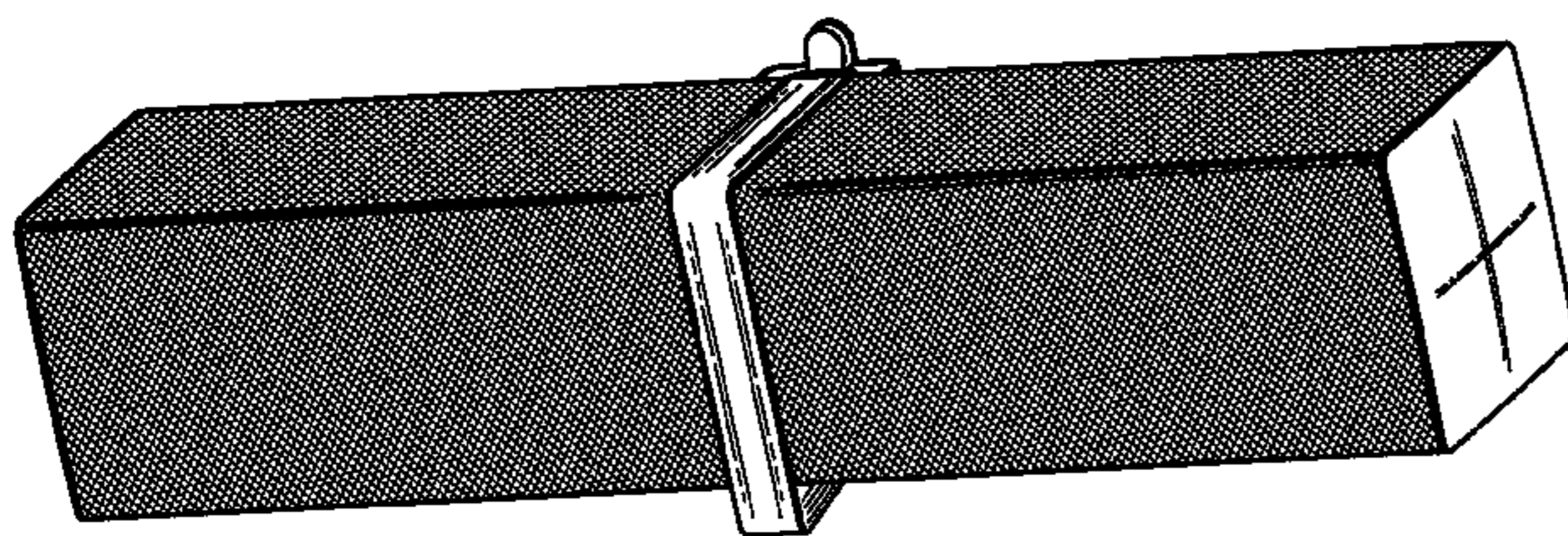
FIGS. 5 and 6 are on an enlarged scale.

(56) **References Cited**

U.S. PATENT DOCUMENTS

D478,891 S * 8/2003 Hisatsune D14/211
D538,259 S * 3/2007 Okamura et al. D14/172
D540,310 S * 4/2007 Yuyama D14/214
D543,535 S * 5/2007 Hasegawa et al. D14/214
D547,748 S * 7/2007 Tsuge D14/211
D551,206 S * 9/2007 Ishida D14/214

1 Claim, 4 Drawing Sheets



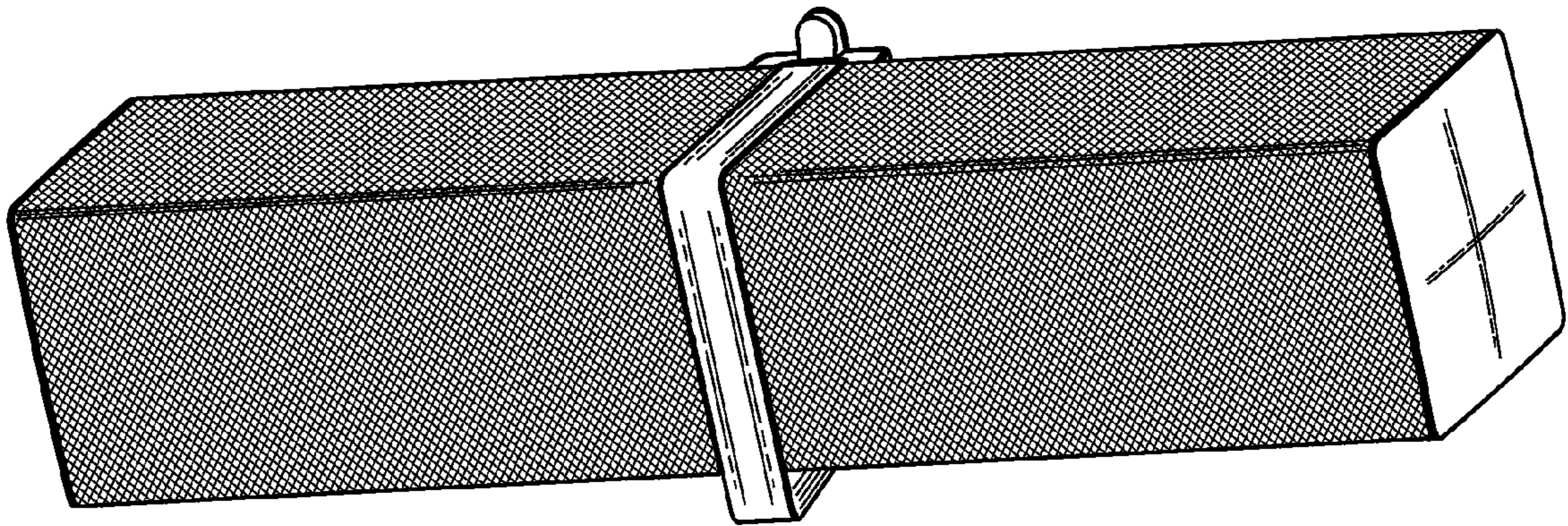


FIG. 1

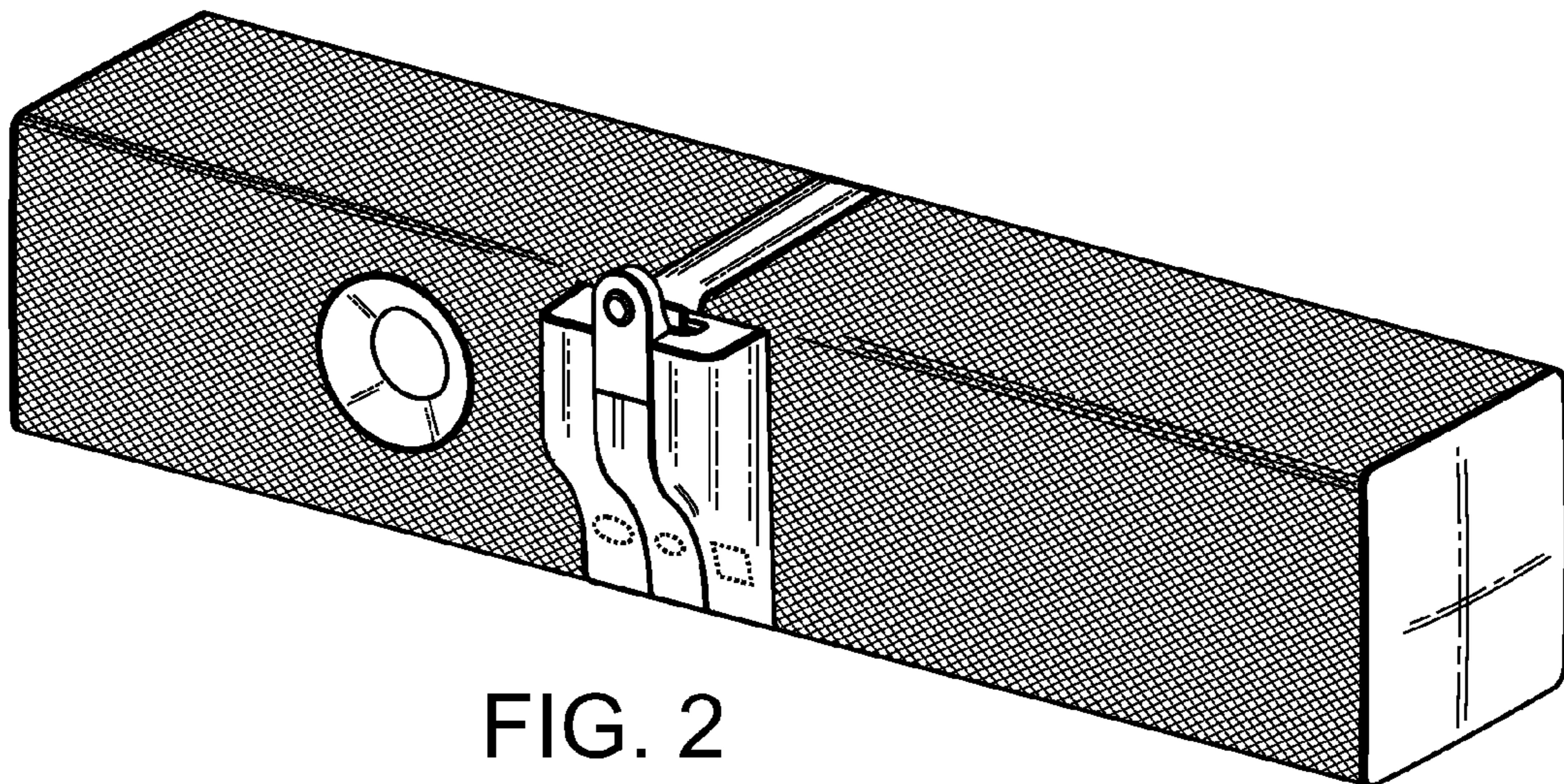


FIG. 2

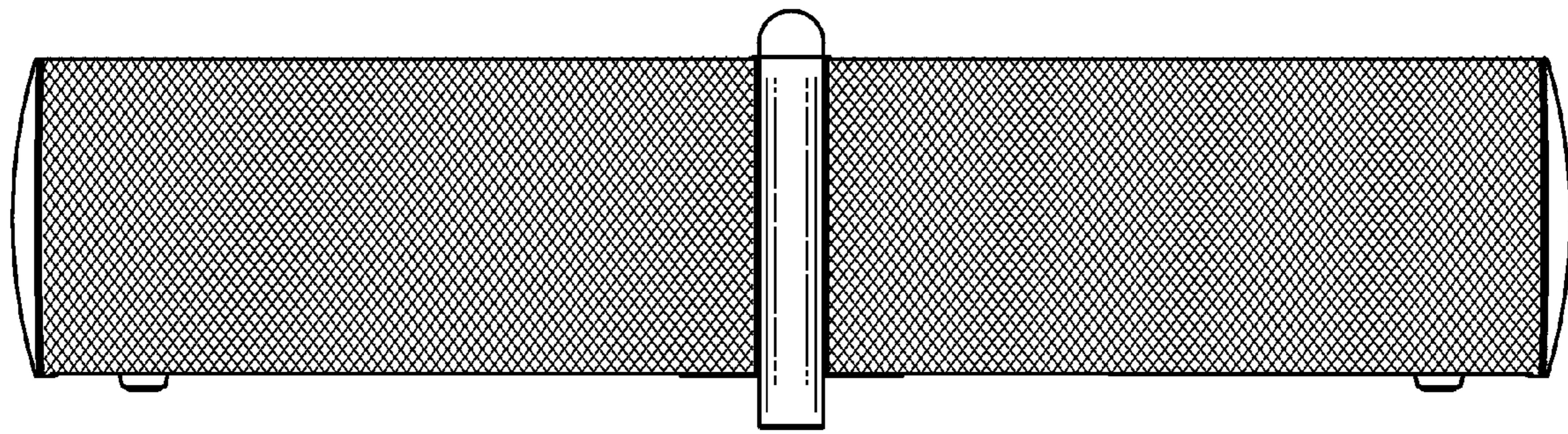


FIG. 3

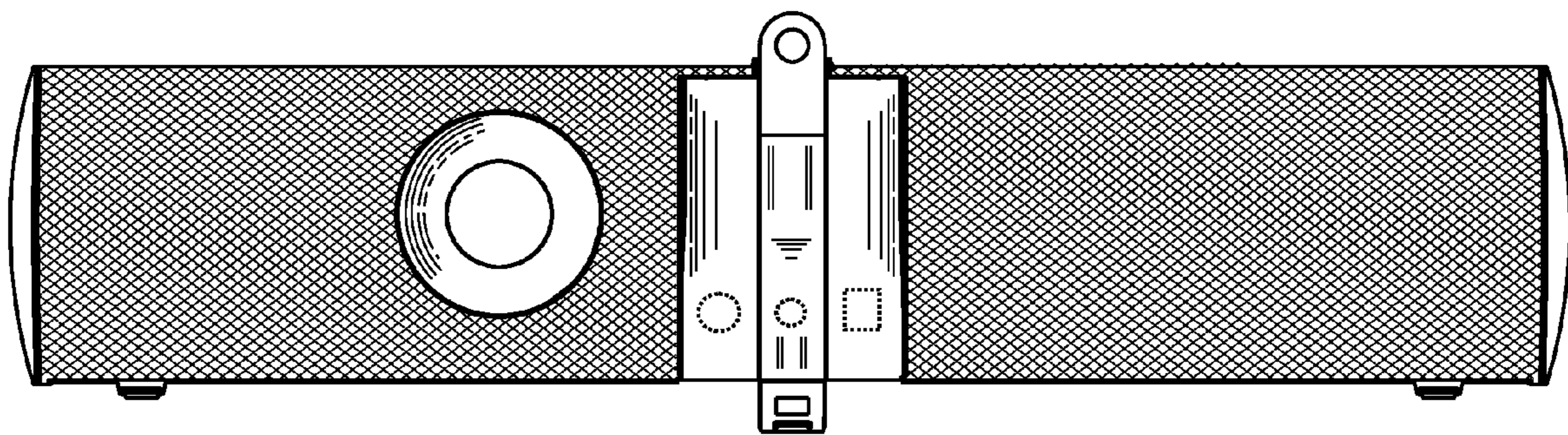


FIG. 4

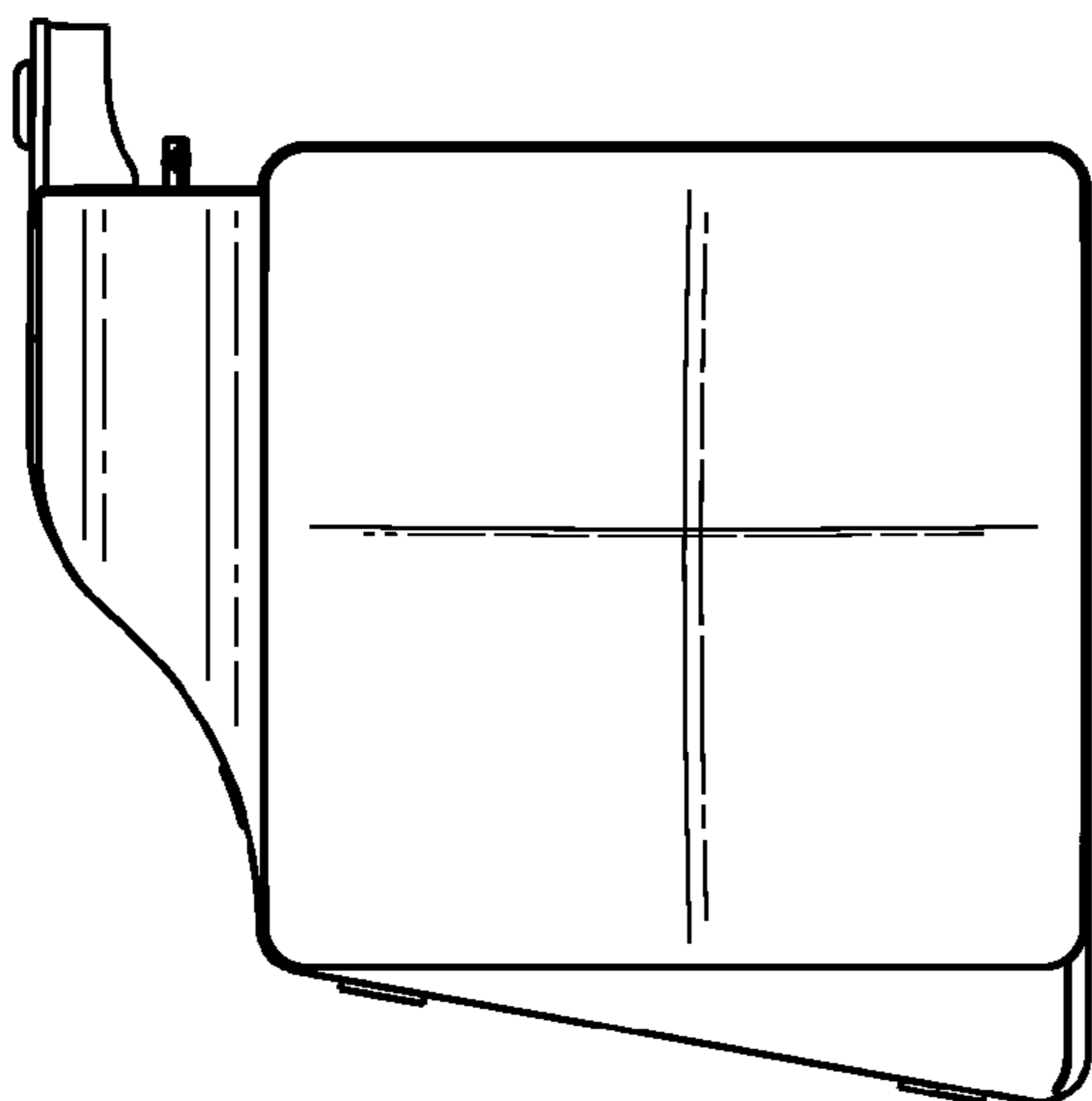


FIG. 5

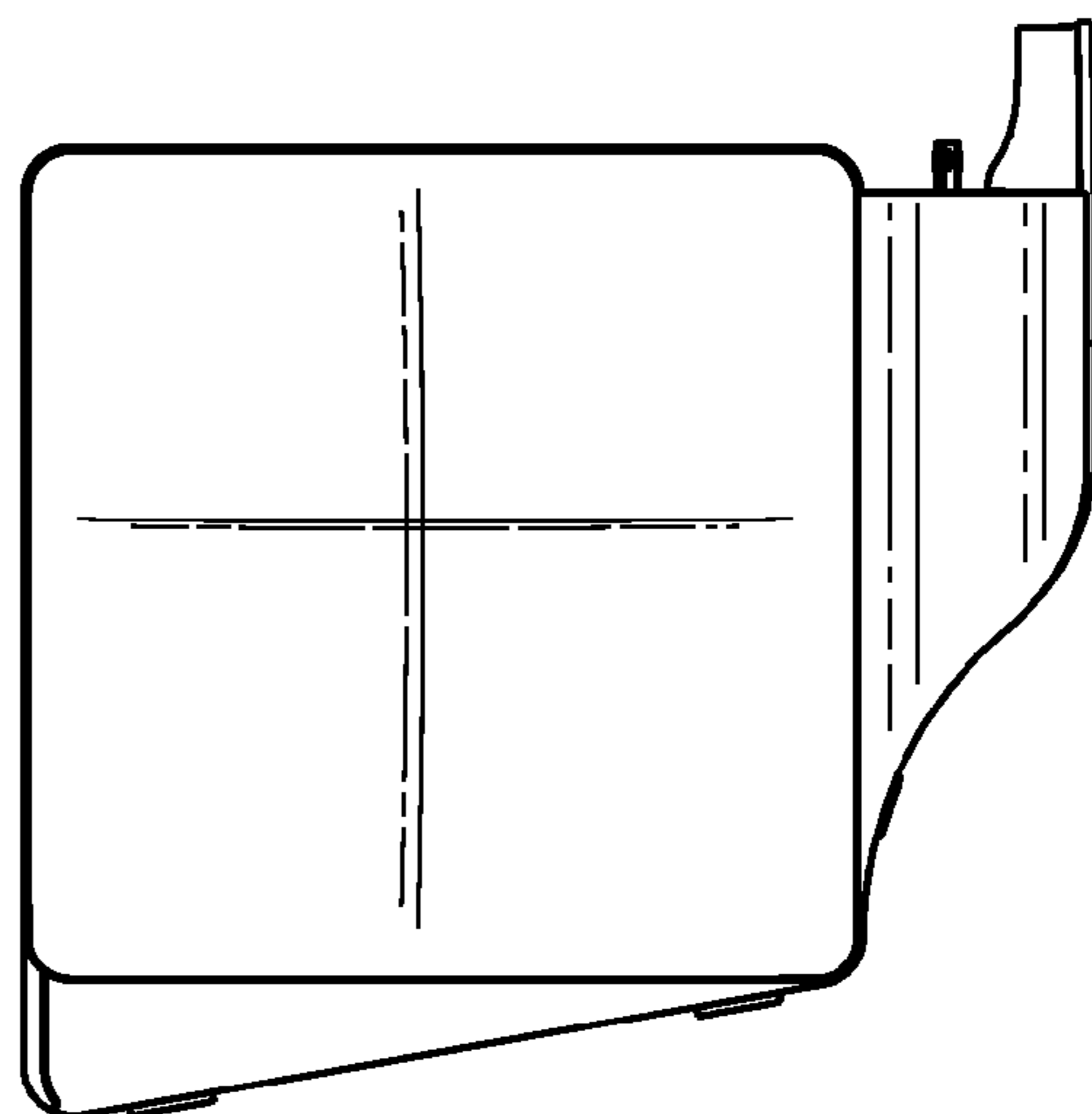


FIG. 6

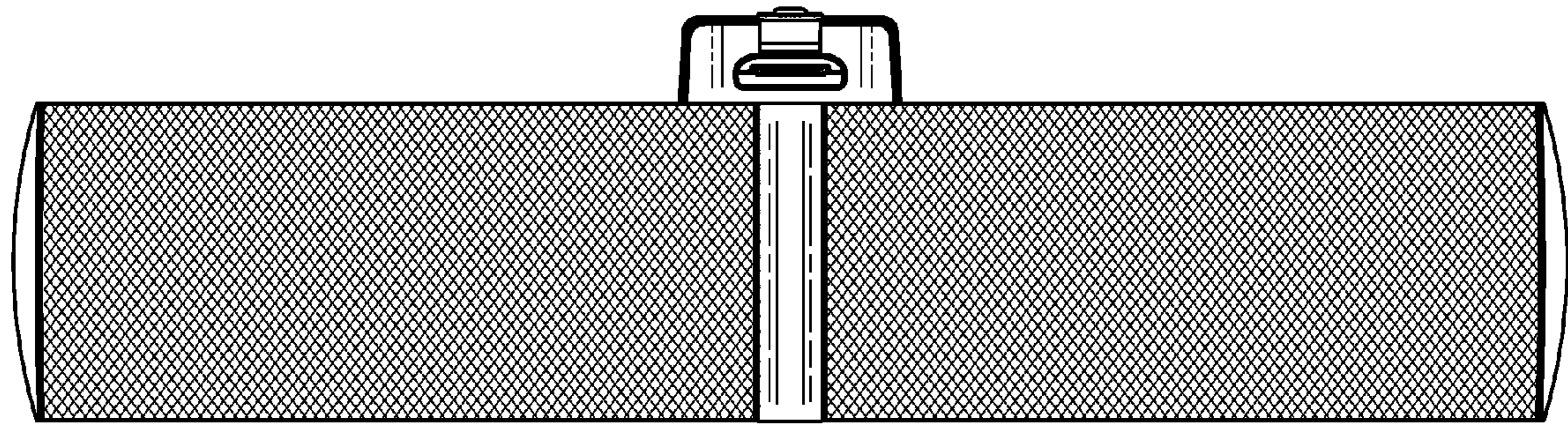


FIG. 7

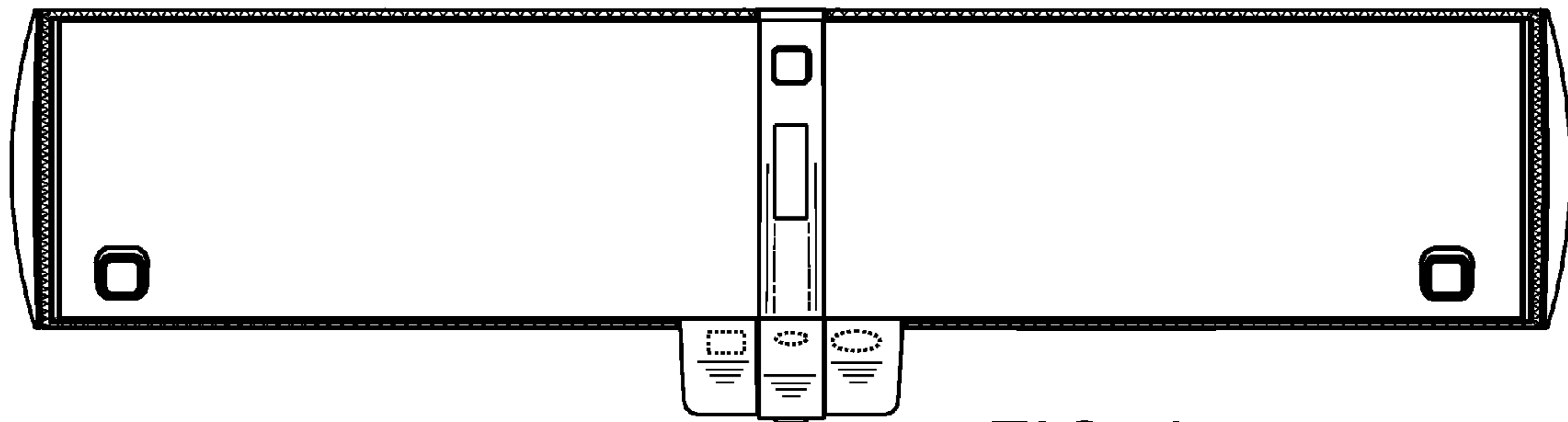


FIG. 8