



US00D618212S

(12) **United States Design Patent**
Jiang et al.

(10) **Patent No.:** **US D618,212 S**
(45) **Date of Patent:** **** Jun. 22, 2010**

(54) **SPEAKER**

D582,386 S * 12/2008 Lewis D14/204

(75) Inventors: **Bin Jiang**, Shenzhen (CN); **Man-Zhong Wang**, Shenzhen (CN); **Shi-Pei Zhang**, Shenzhen (CN)

* cited by examiner

Primary Examiner—Nanda Bondade
(74) *Attorney, Agent, or Firm*—Frank R. Niranjan

(73) Assignee: **Hon Hai Precision Industry Co., Ltd.**, Tu-Cheng, Taipei Hsien (TW)

(57) **CLAIM**

The ornamental design for a speaker, as shown.

(**) Term: **14 Years**

(21) Appl. No.: **29/339,200**

DESCRIPTION

(22) Filed: **Jun. 26, 2009**

FIG. 1 is a perspective view of a speaker showing our new design;

(51) **LOC (9) Cl.** **14-01**

FIG. 2 is a front elevational view thereof;

(52) **U.S. Cl.** **D14/209.1**; D14/204

FIG. 3 is a rear elevational view thereof;

(58) **Field of Classification Search** D14/204,

FIG. 4 is a left side, elevational view thereof;

D14/207, 209, 209.1, 210–216, 172; 181/143–144, 181/147–148, 150–153, 157, 198–199; 381/300–303, 381/306, 332–333, 336, 345, 361–364, 386–388

FIG. 5 is a right side, elevational view thereof;

See application file for complete search history.

FIG. 6 is a top plan view thereof;

FIG. 7 is a bottom plan view thereof; and,

(56) **References Cited**

FIG. 8 is a top plan view of the speaker of FIG. 1, in a closed position.

U.S. PATENT DOCUMENTS

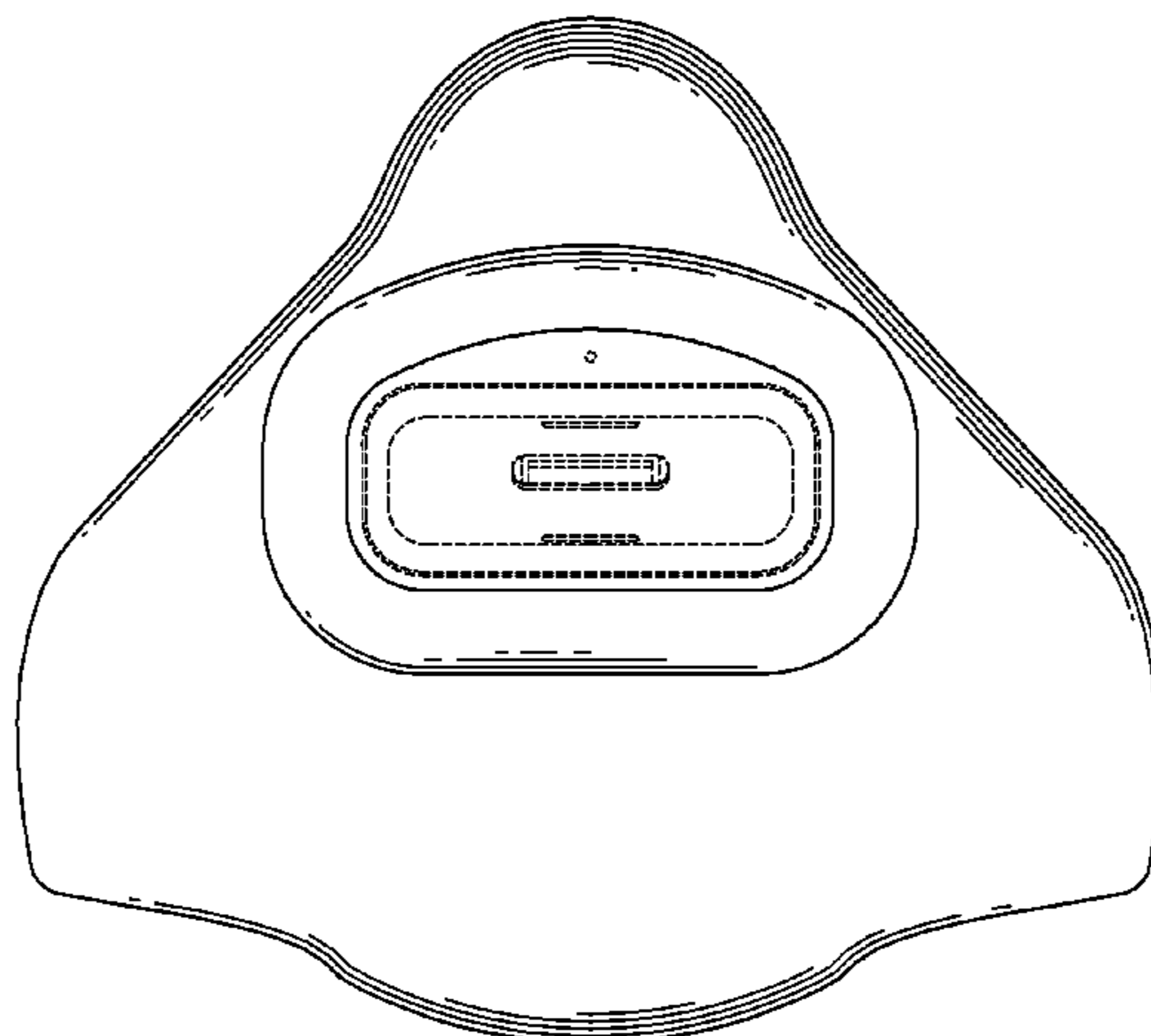
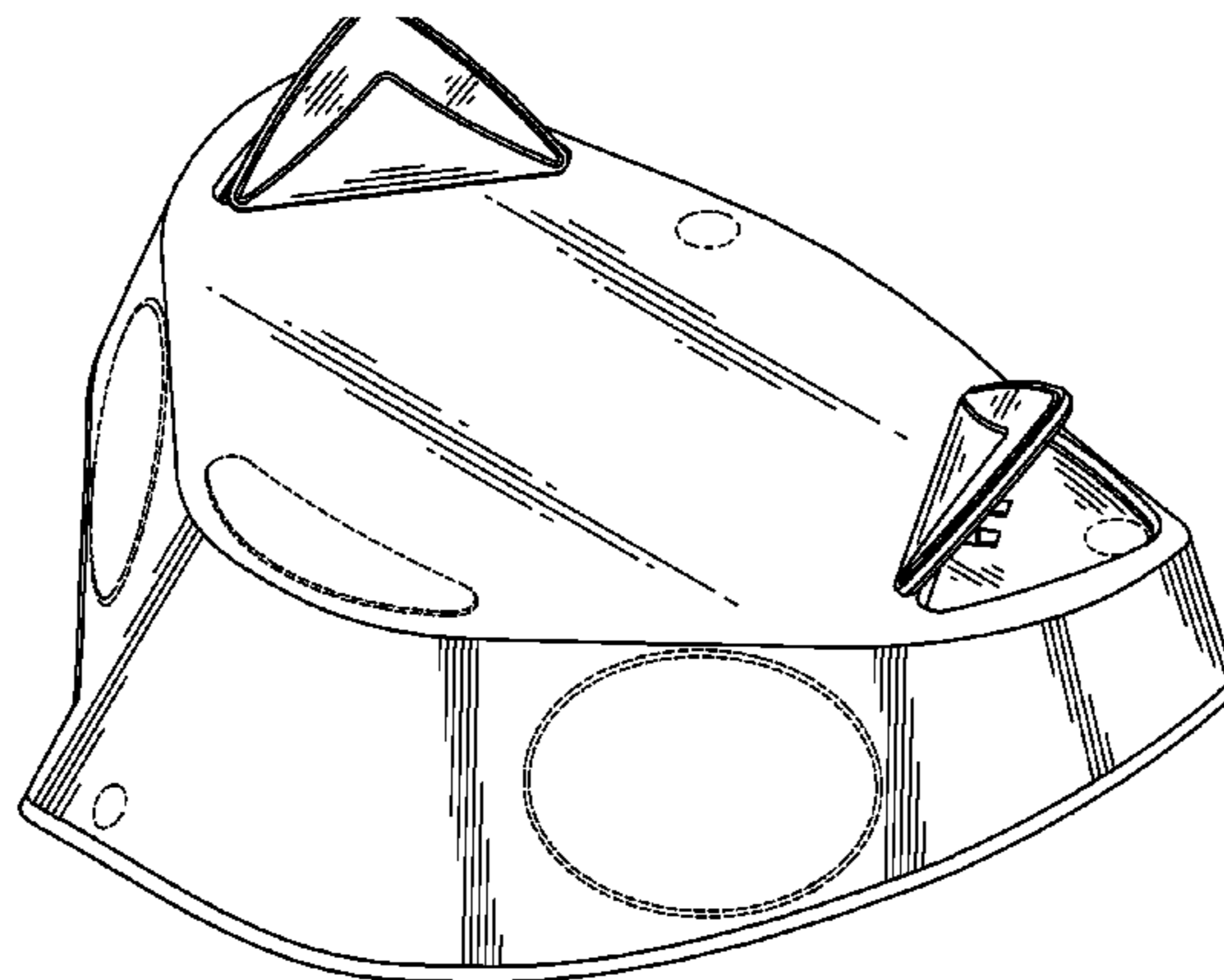
The broken lines are shown for the purpose of illustration only and form no part of the claimed design.

D509,223 S * 9/2005 Steele et al. D14/497

D543,536 S * 5/2007 Hall D14/215

D569,844 S * 5/2008 Thompson et al. D14/214

1 Claim, 8 Drawing Sheets



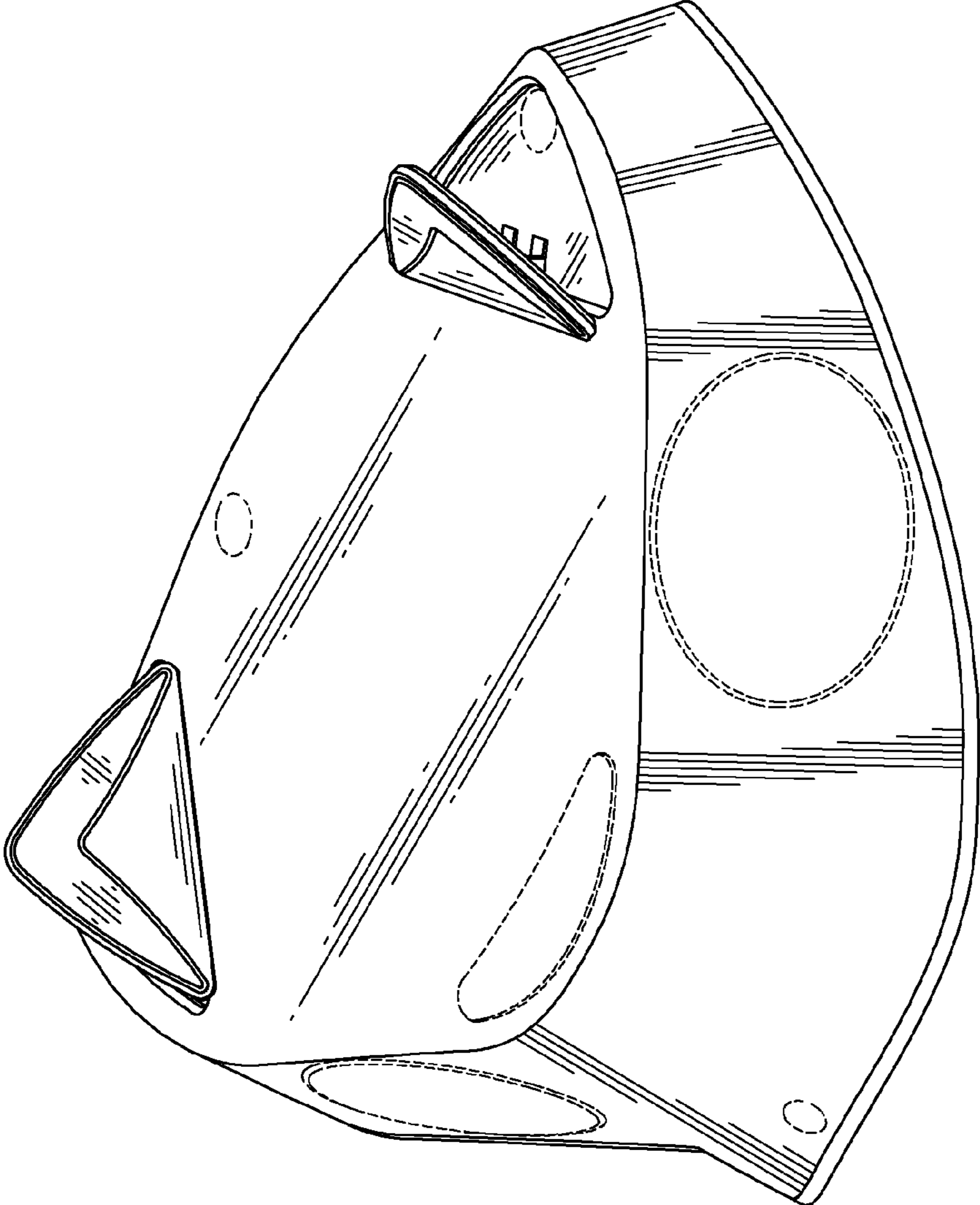


FIG. 1

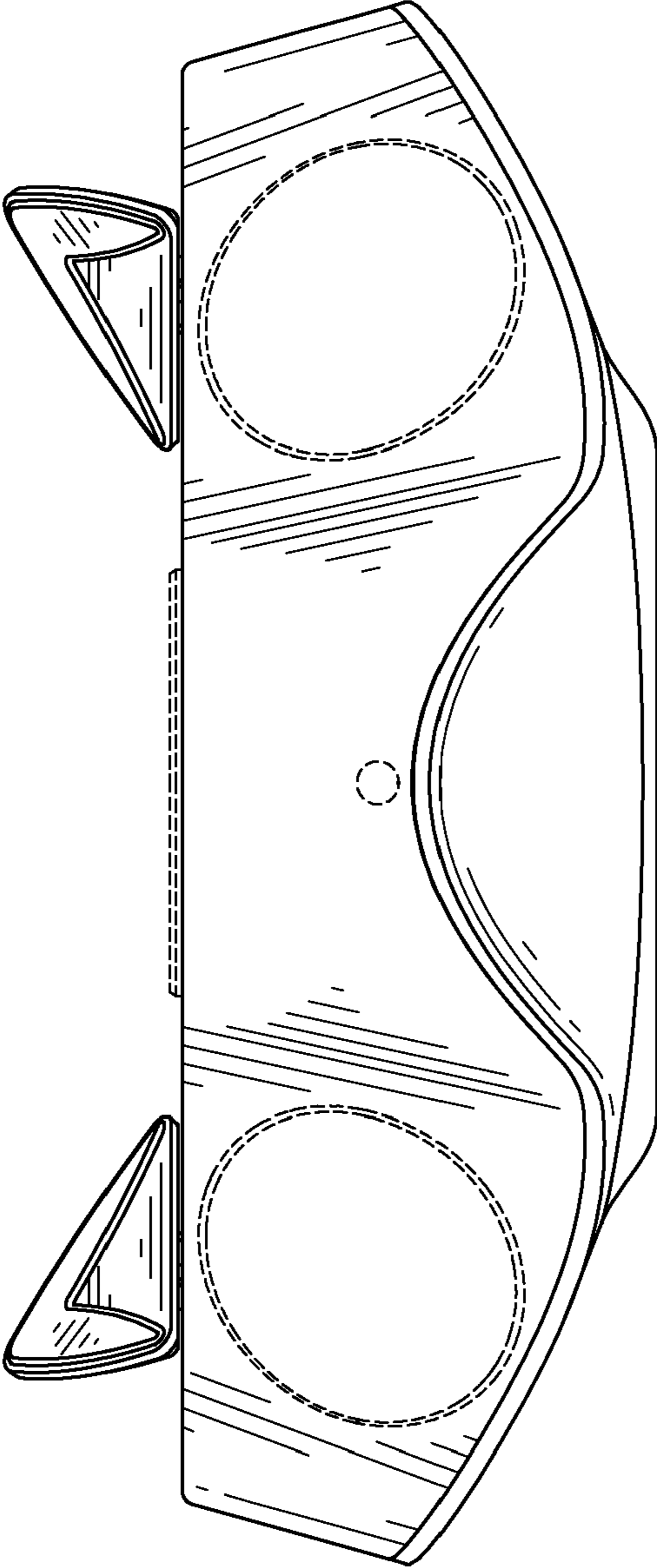


FIG. 2

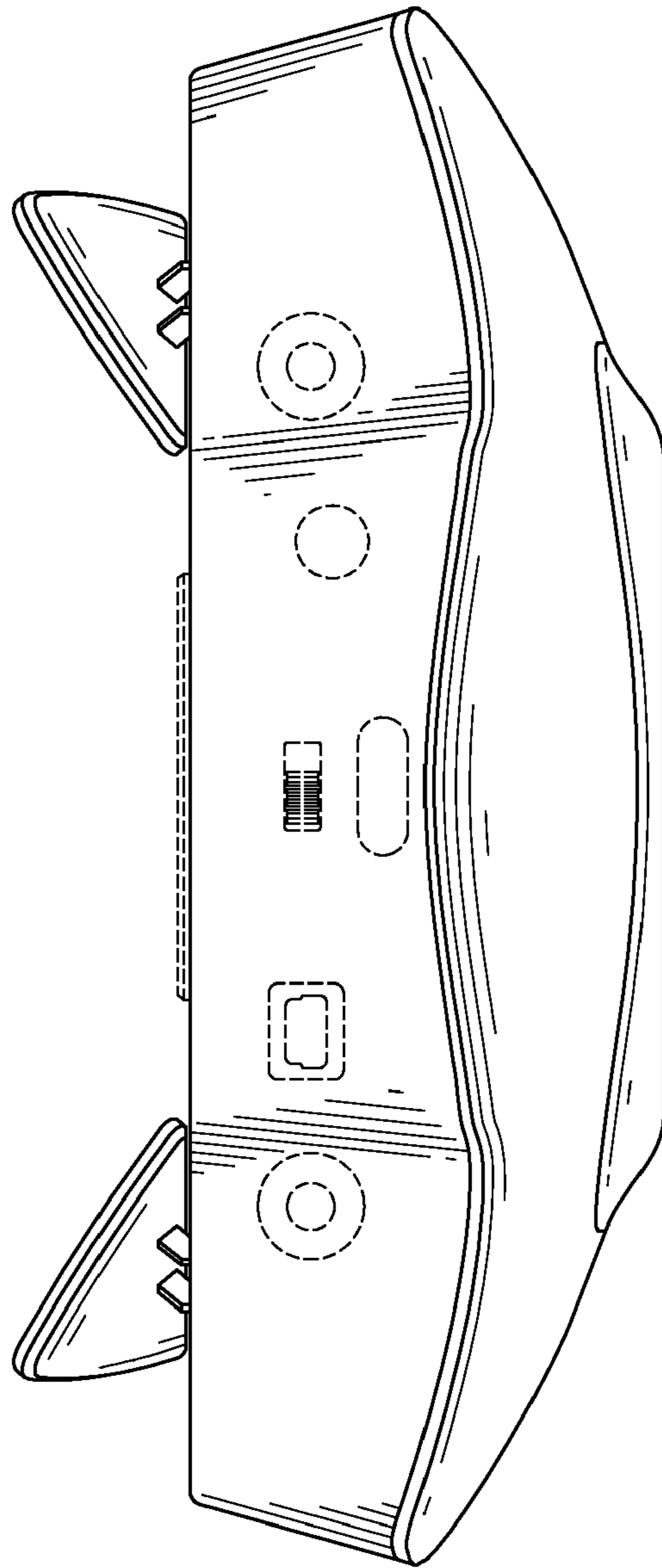


FIG. 3

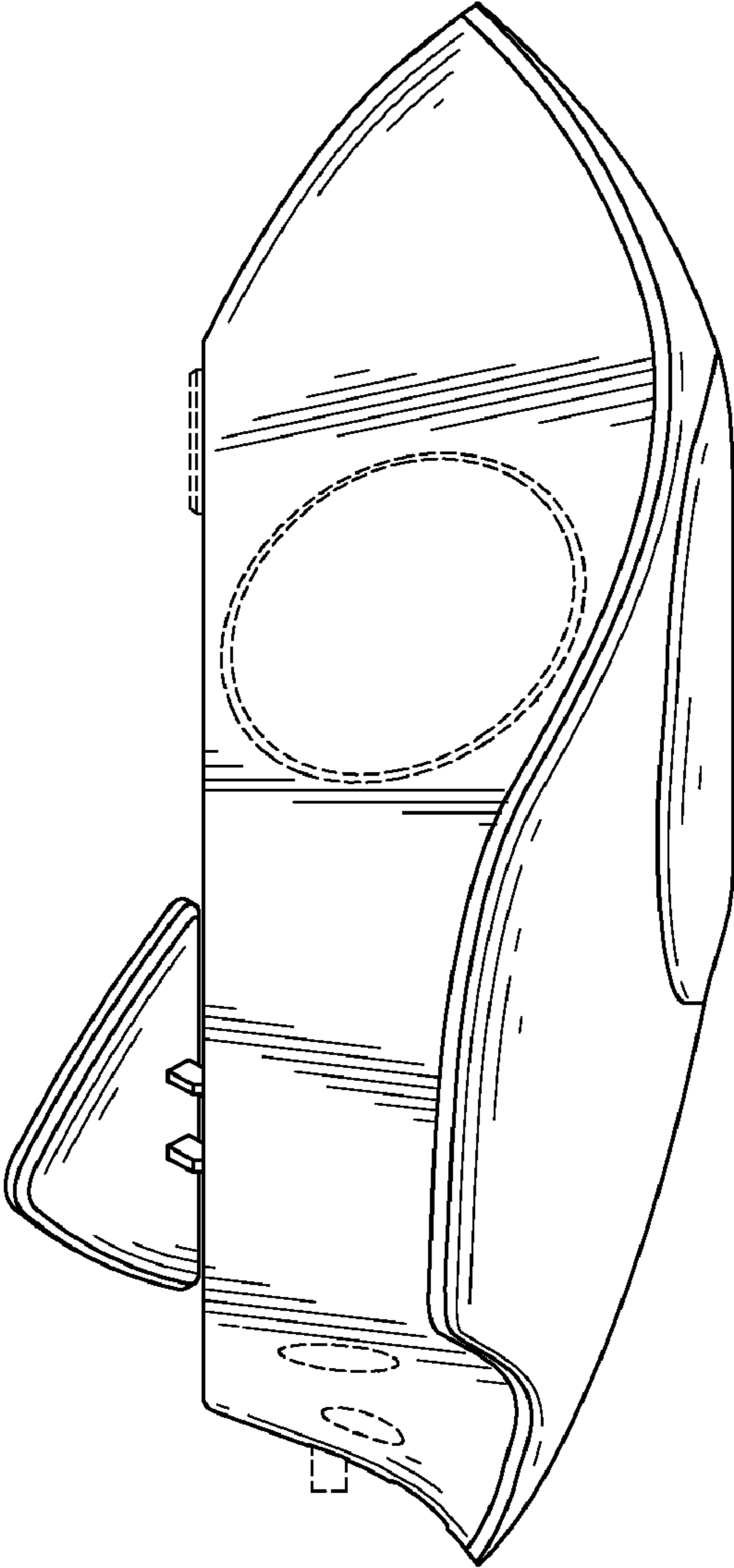


FIG. 4

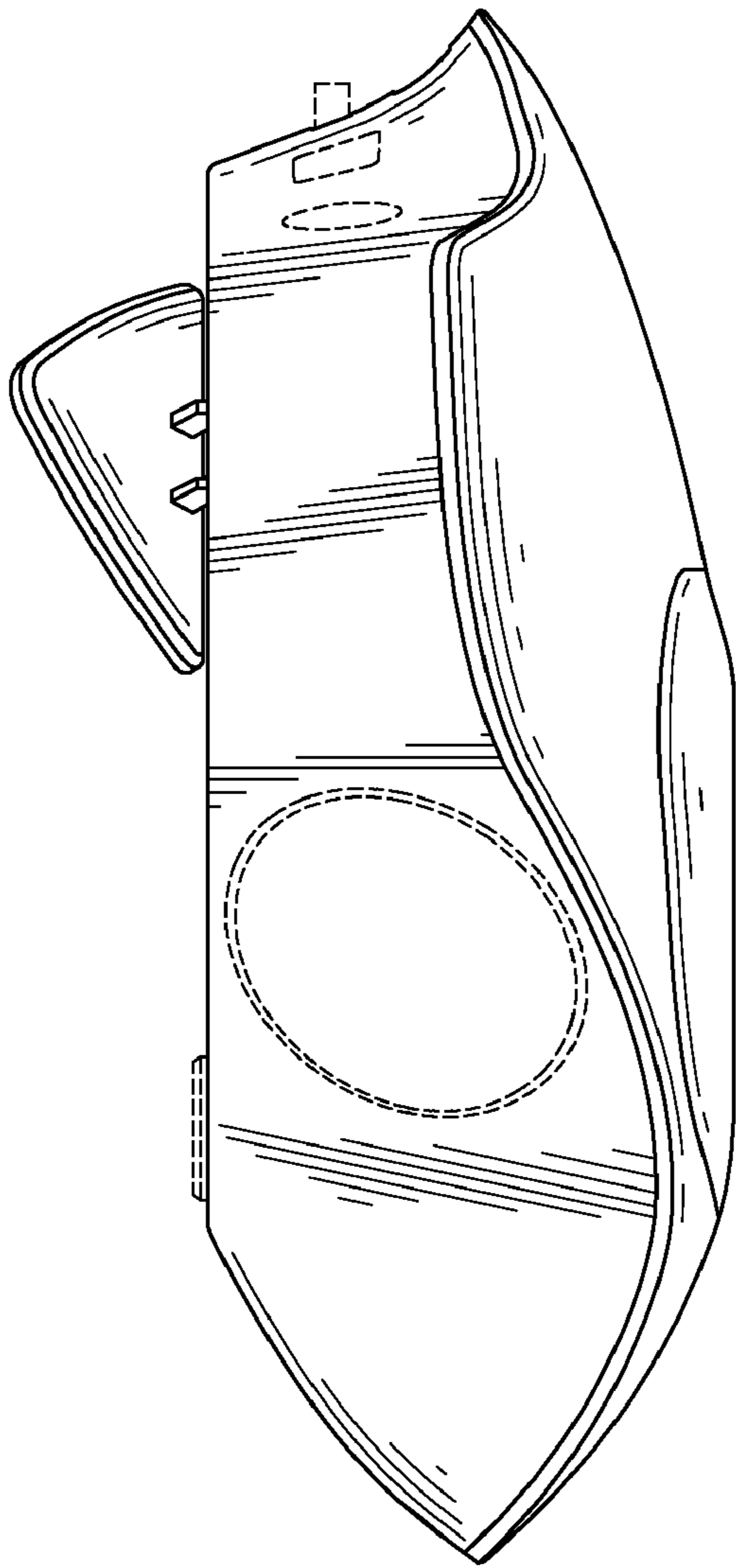


FIG. 5

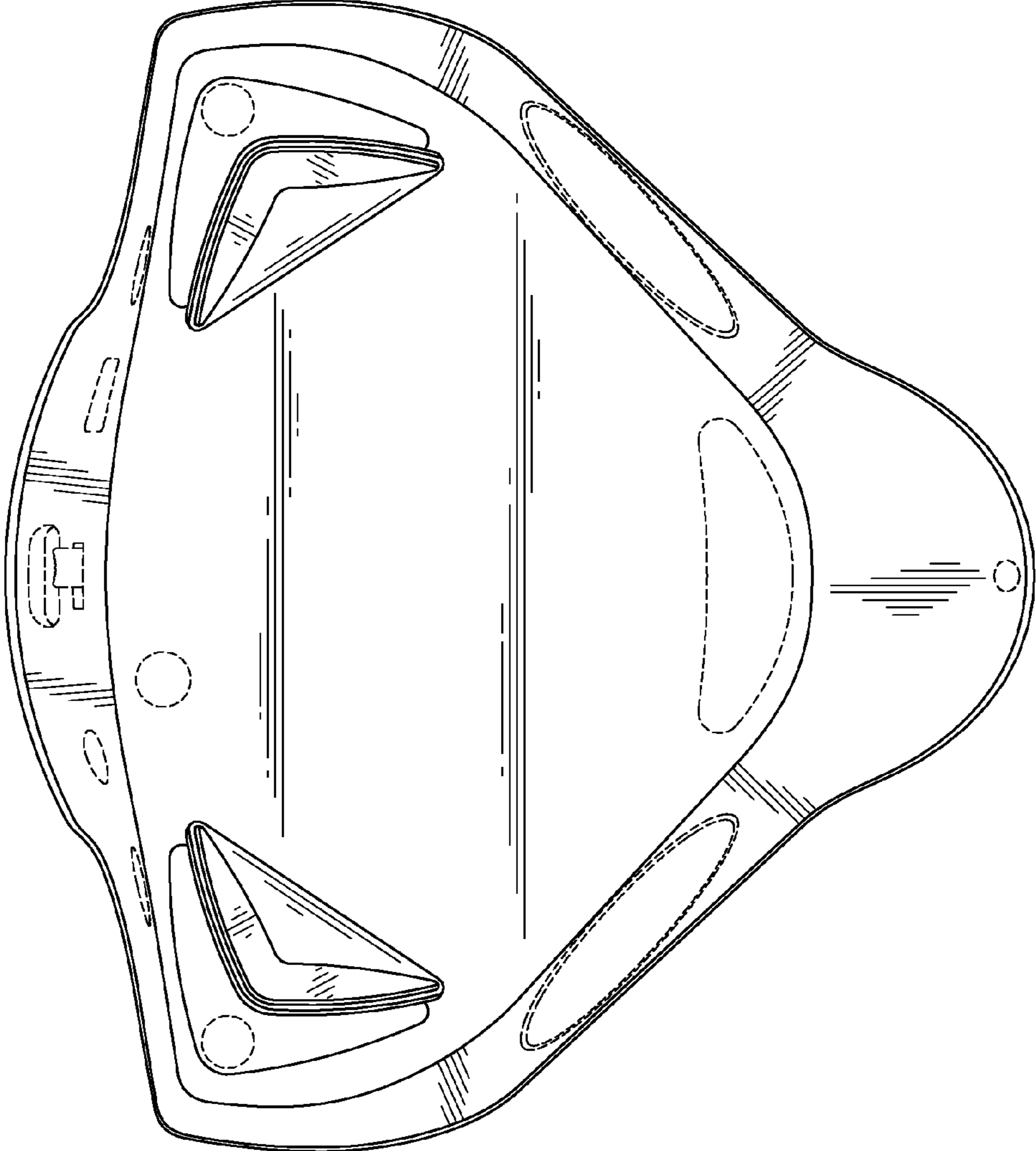


FIG. 6

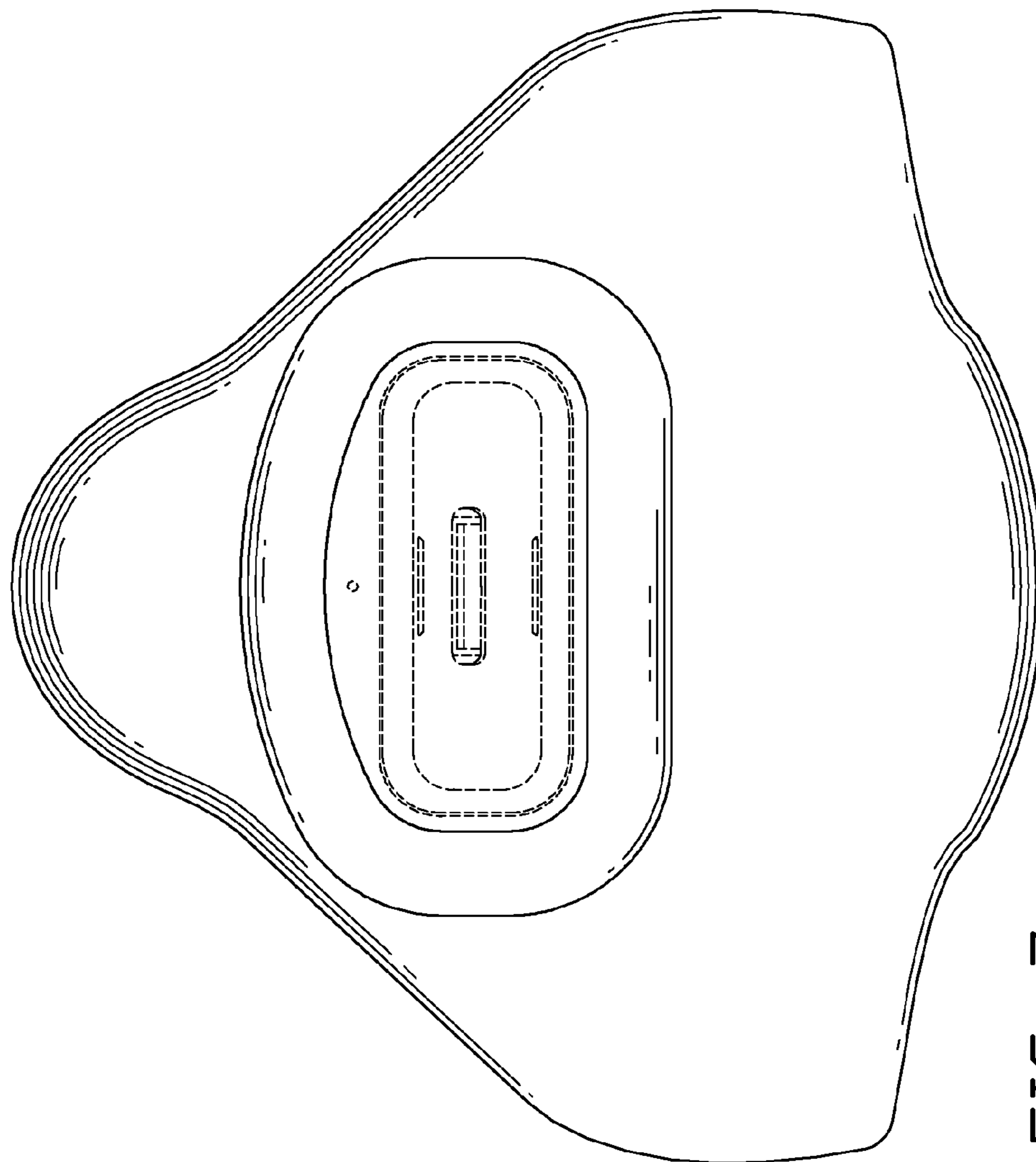


FIG. 7

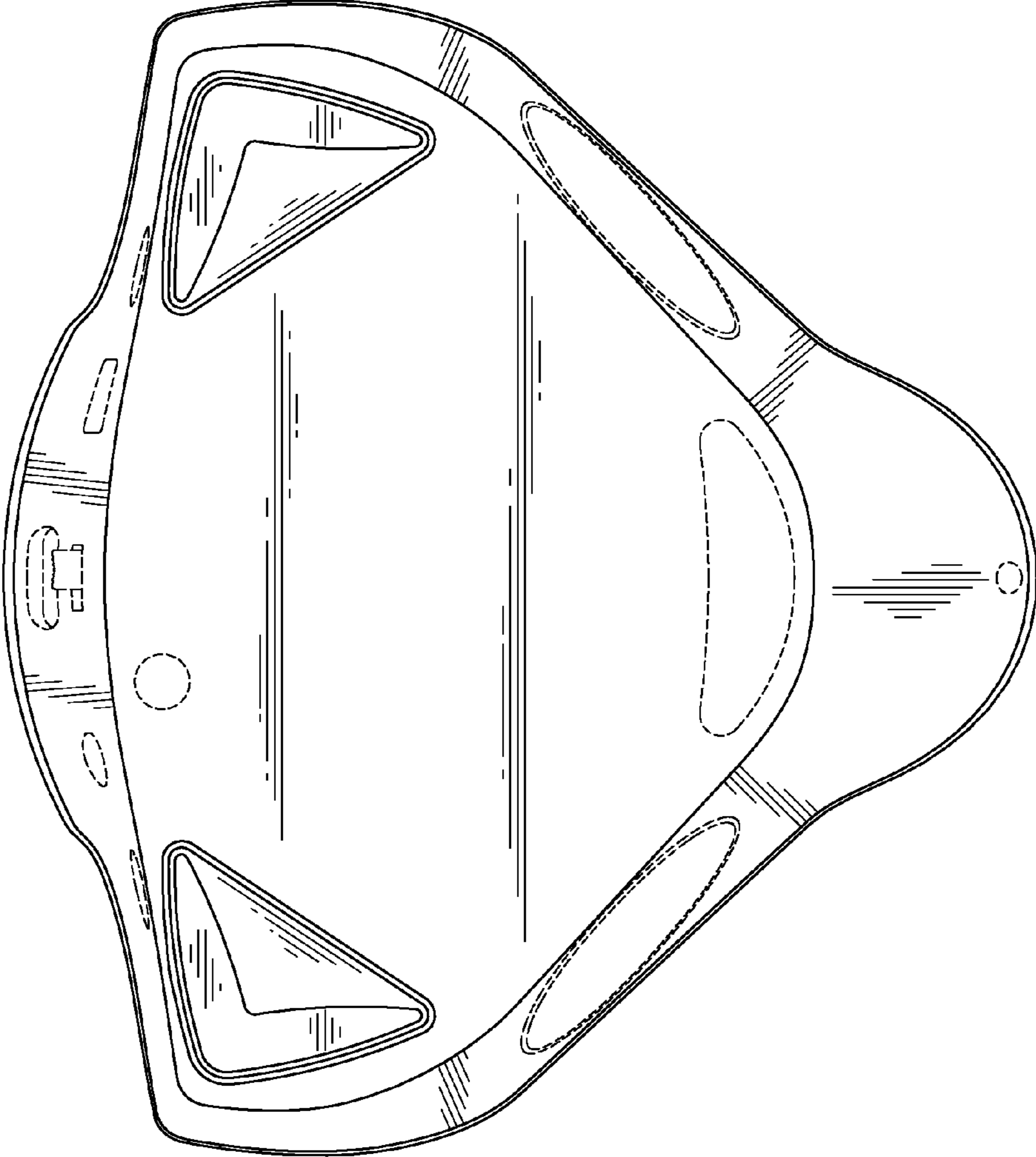


FIG. 8