



US00D618211S

(12) **United States Design Patent**
Oguro et al.

(10) **Patent No.:** **US D618,211 S**
(45) **Date of Patent:** **** Jun. 22, 2010**

(54) **EARPHONE**

(75) Inventors: **Kyohei Oguro**, Tokyo (JP); **Wataru Sakuma**, Kanagawa (JP)

(73) Assignee: **Kabushiki Kaisha Audio-Technica**, Tokyo (JP)

(**) Term: **14 Years**

(21) Appl. No.: **29/340,654**

(22) Filed: **Jul. 22, 2009**

(30) **Foreign Application Priority Data**

May 13, 2009 (JP) 2009-010623

(51) **LOC (9) Cl.** **14-01**

(52) **U.S. Cl.** **D14/205**

(58) **Field of Classification Search** D14/205,
D14/206, 223; D24/174; 181/129, 130;
379/430, 431, 420.01, 420.04; 381/322,
381/324, 370, 380; 455/569.1, 575.1, 90.1,
455/90.3

See application file for complete search history.

(56) **References Cited**

U.S. PATENT DOCUMENTS

D468,301 S * 1/2003 Fushimi D14/223
D474,171 S * 5/2003 Suzuki D14/206
D539,268 S * 3/2007 Suzuki D14/206

D542,782 S * 5/2007 Pena Angarita D14/223
D554,627 S * 11/2007 Gondo D14/223
D555,152 S * 11/2007 Wang D14/223
D558,735 S * 1/2008 Carr et al. D14/206
D566,099 S * 4/2008 Komiyama D14/206
D587,681 S * 3/2009 Yanai D14/205
D589,493 S * 3/2009 Densho D14/206
D604,272 S * 11/2009 Kitayama D14/223
D605,636 S * 12/2009 Yang D14/223
D606,971 S * 12/2009 Christopher et al. D14/205

* cited by examiner

Primary Examiner—Paula Greene

(74) *Attorney, Agent, or Firm*—Whitham Curtis
Christofferson & Cook, PC

(57) **CLAIM**

We claim the ornamental design for the earphone, as shown and described.

DESCRIPTION

FIG. 1 is a perspective view of the earphone;
FIG. 2 is a front elevational view of the earphone;
FIG. 3 is a rear elevational view of the earphone;
FIG. 4 is a left side elevational view of the earphone;
FIG. 5 is a right side elevational view of the earphone;
FIG. 6 is a top plan view of the earphone; and,
FIG. 7 is a bottom plan view of the earphone.

1 Claim, 2 Drawing Sheets

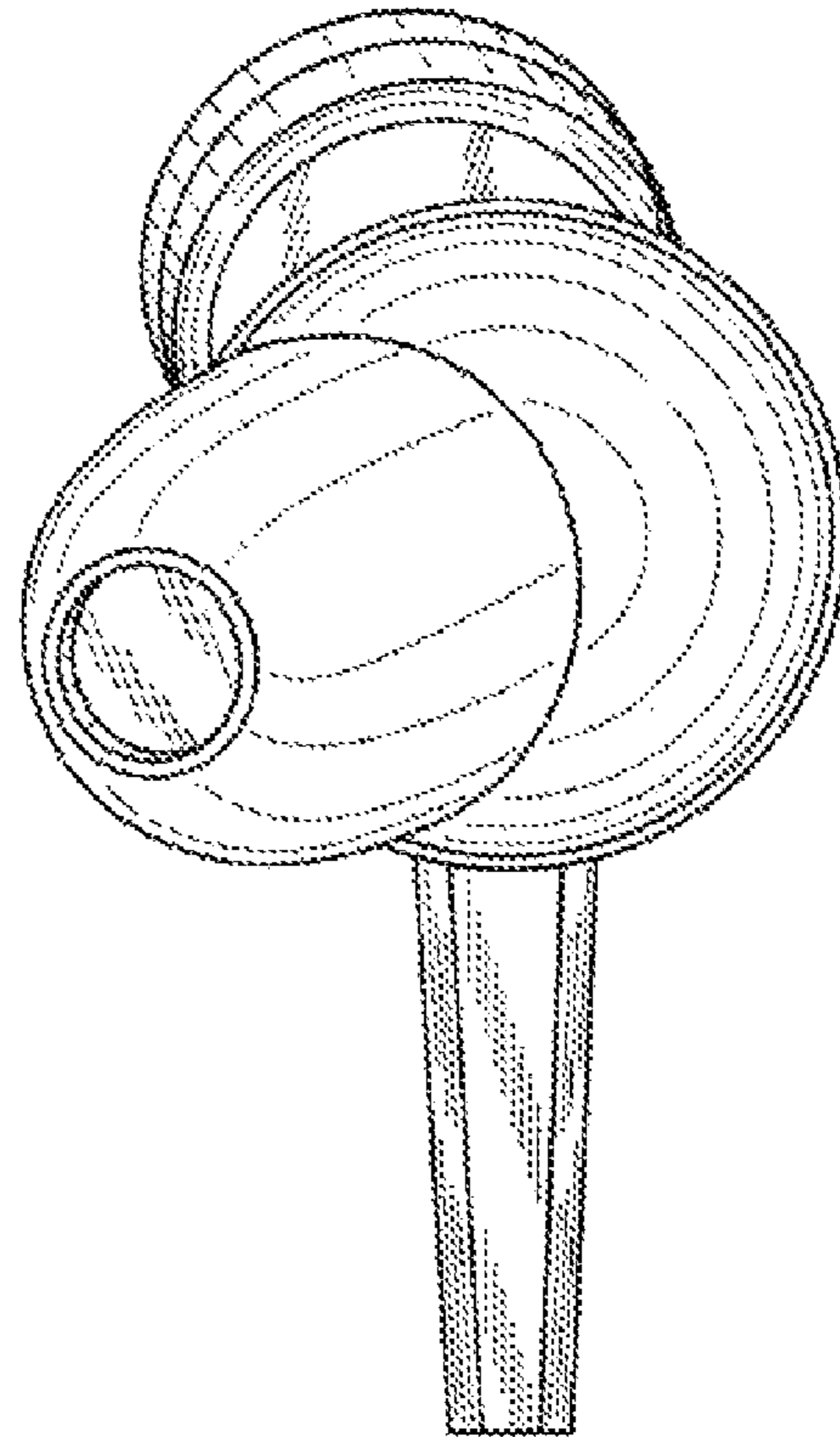
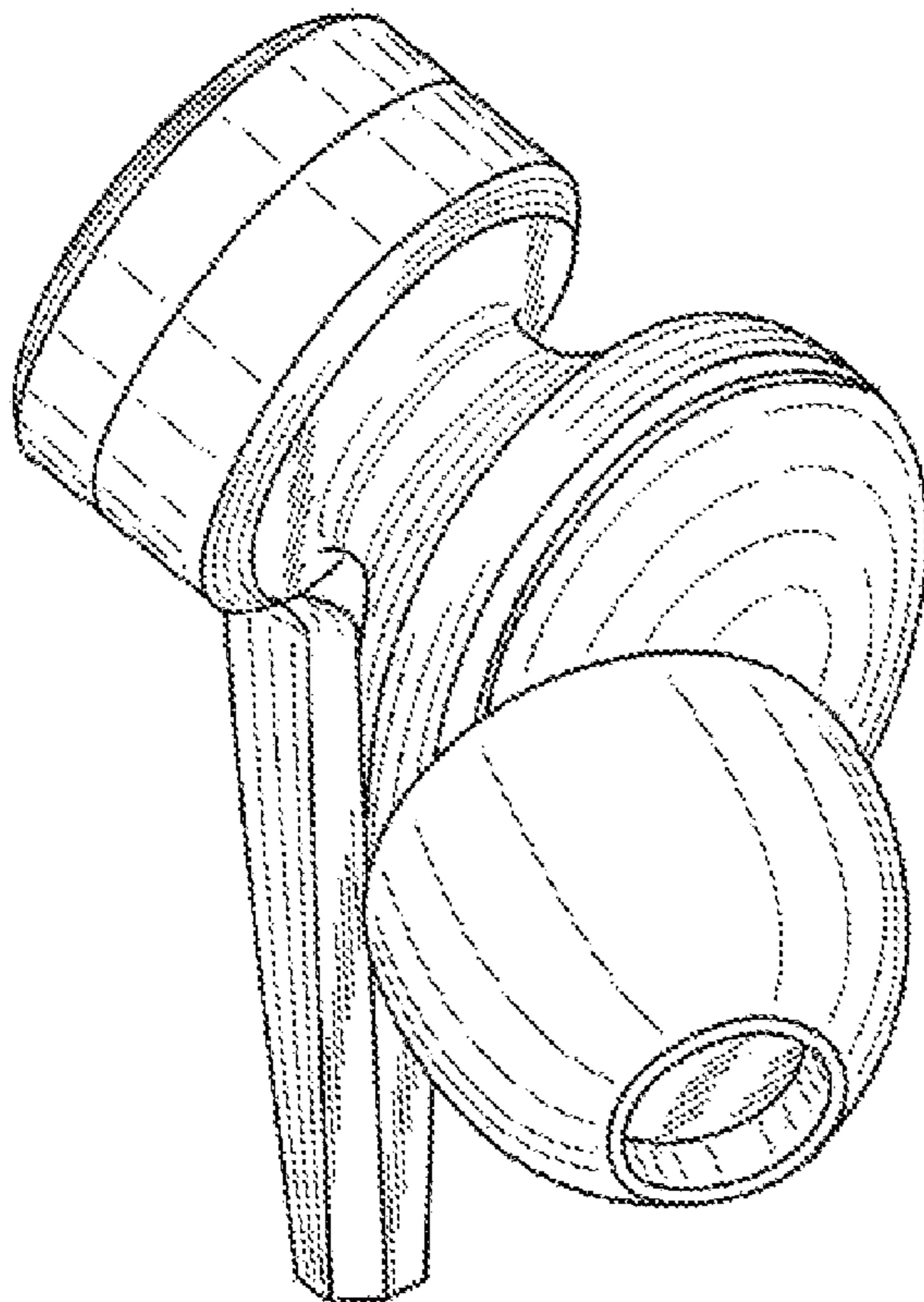


FIG. 1

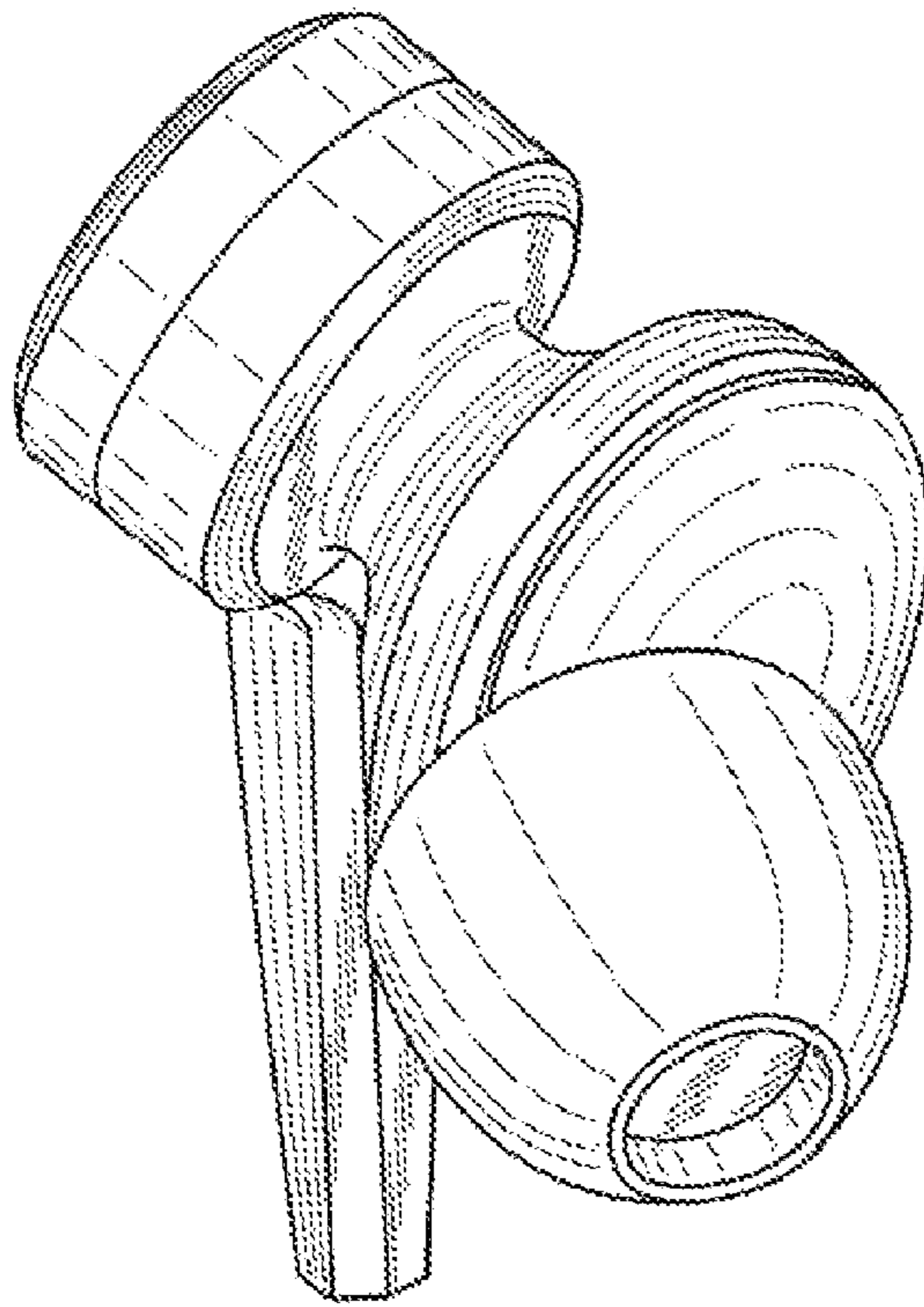


FIG. 2

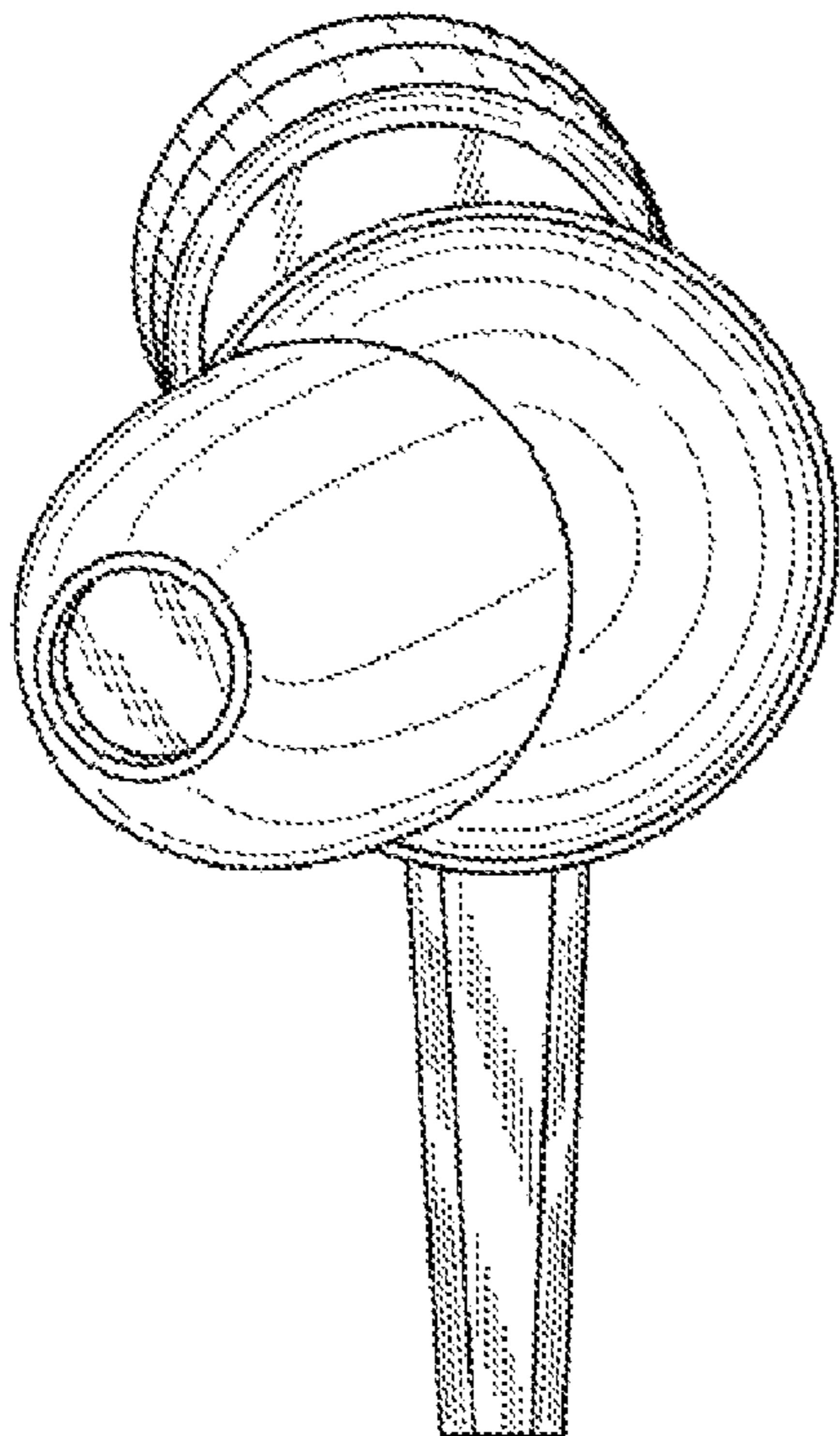


FIG. 3

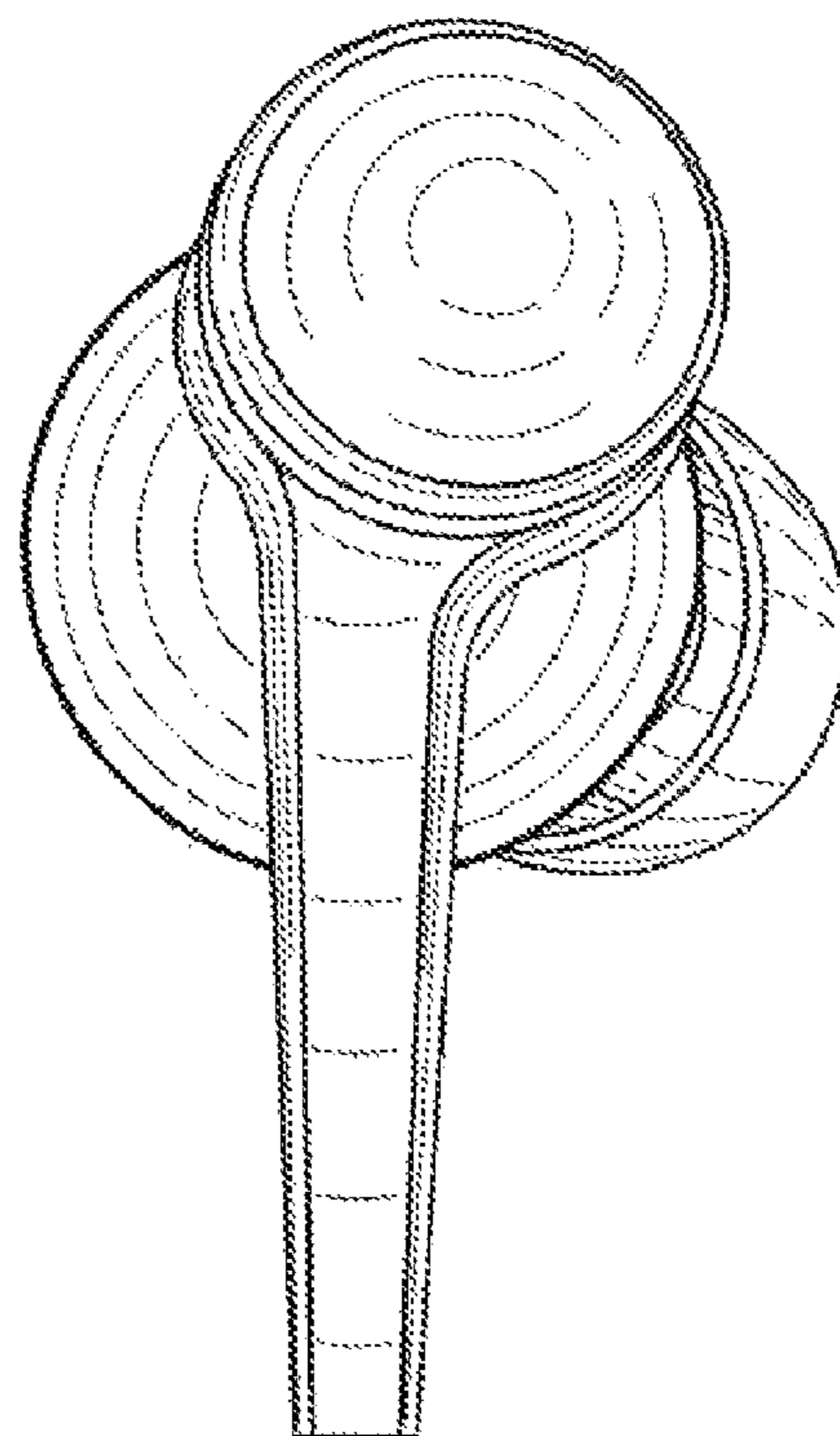


FIG. 4

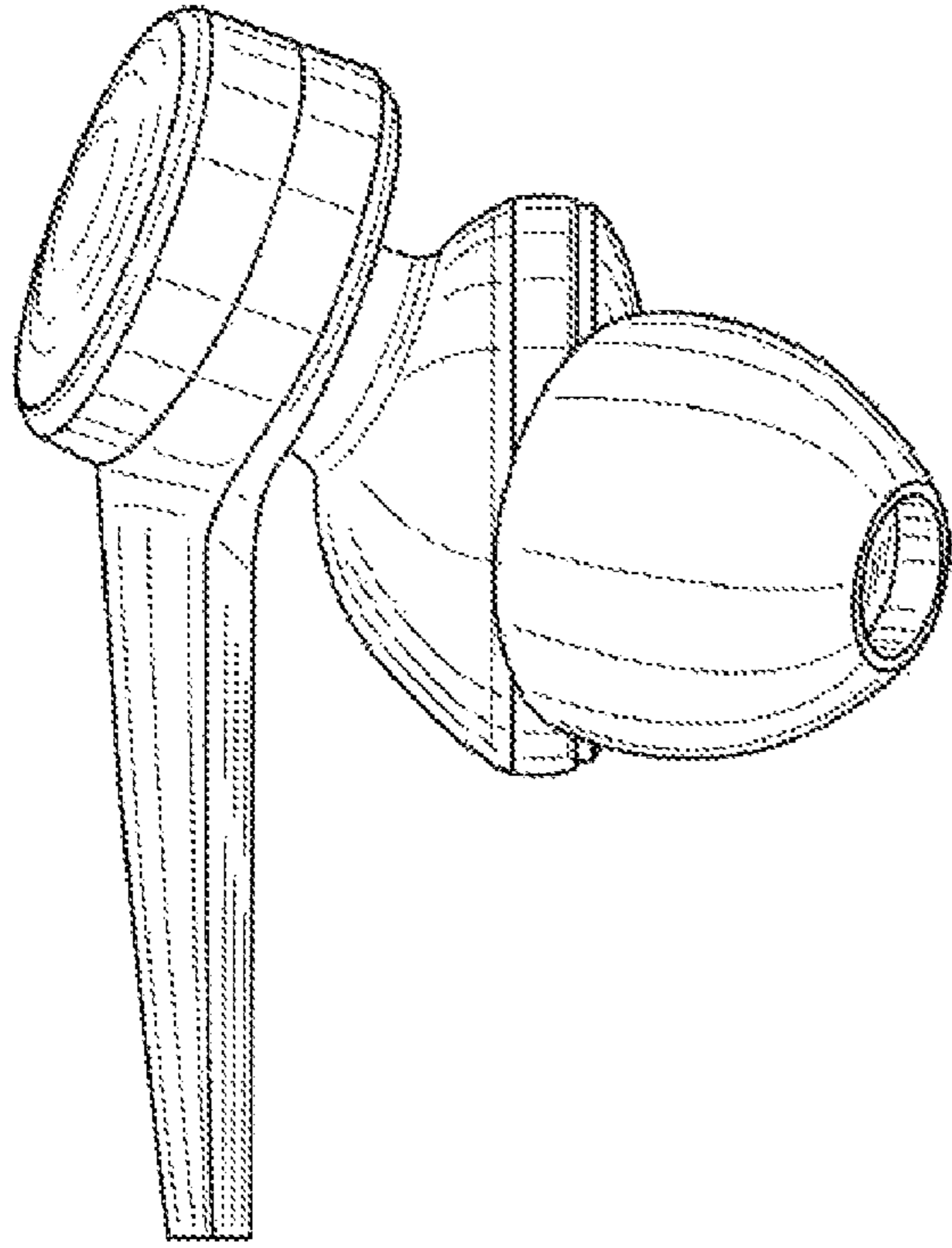


FIG. 5

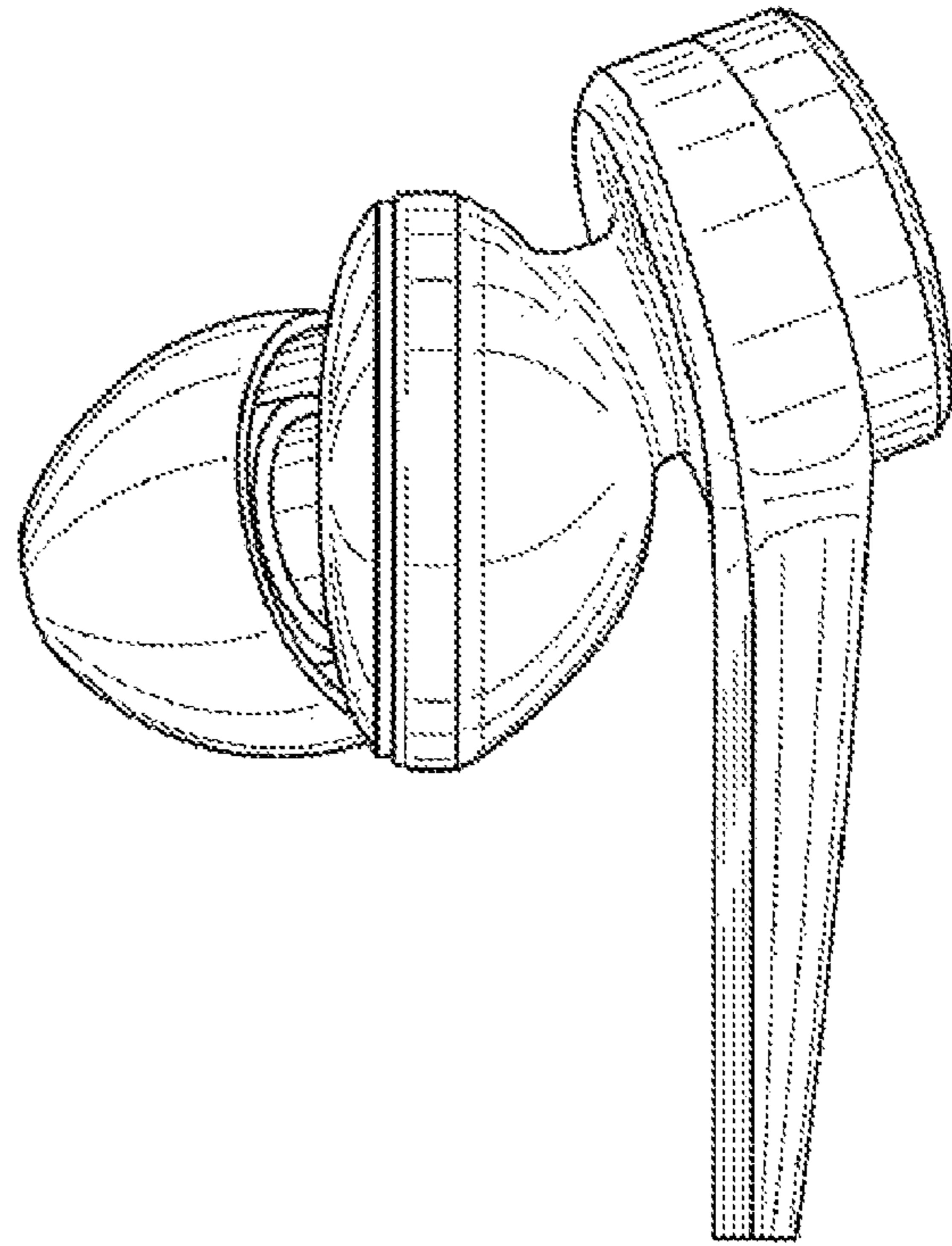


FIG. 6

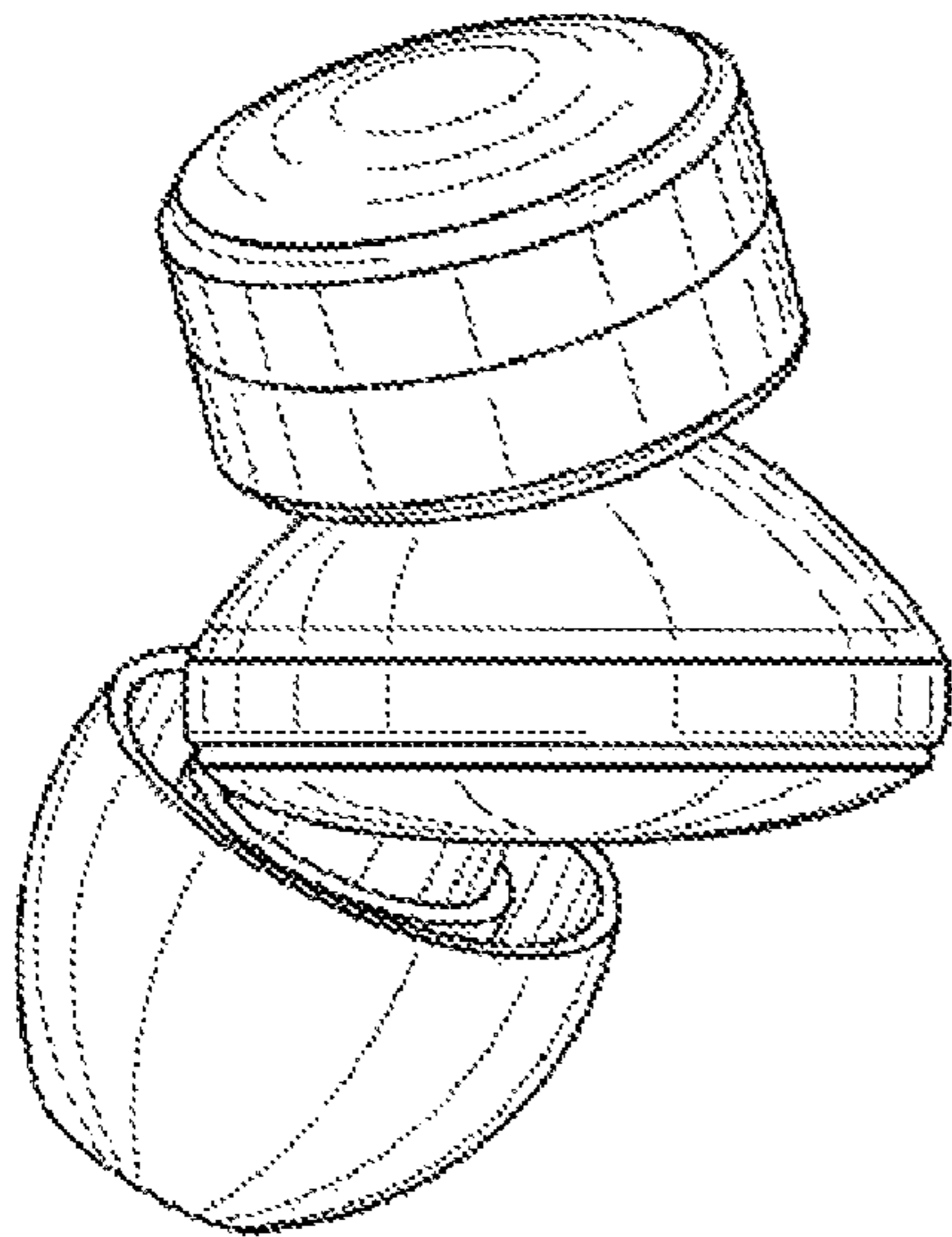


FIG. 7

