



US00D618210S

(12) **United States Design Patent**
Andre et al.

(10) **Patent No.:** **US D618,210 S**
(45) **Date of Patent:** **** *Jun. 22, 2010**

(54) **EARBUD**

(75) Inventors: **Bartley K. Andre**, Menlo Park, CA (US); **Daniel J. Coster**, San Francisco, CA (US); **Daniele De Iuliis**, San Francisco, CA (US); **Richard P. Howarth**, San Francisco, CA (US); **Jonathan P. Ive**, San Francisco, CA (US); **Duncan Robert Kerr**, San Francisco, CA (US); **Shin Nishibori**, Portola Valley, CA (US); **Matthew Dean Rohrbach**, San Francisco, CA (US); **Peter Russell-Clarke**, San Francisco, CA (US); **Douglas B. Satzger**, Menlo Park, CA (US); **Christopher J. Stringer**, Woodside, CA (US); **Eugene Antony Whang**, San Francisco, CA (US); **Rico Zorkendorfer**, San Francisco, CA (US)

(73) Assignee: **Apple Inc.**, Cupertino, CA (US)

(*) Notice: This patent is subject to a terminal disclaimer.

(**) Term: **14 Years**

(21) Appl. No.: **29/336,808**

(22) Filed: **May 8, 2009**

Related U.S. Application Data

(62) Division of application No. 29/324,132, filed on Sep. 5, 2008, now Pat. No. Des. 596,616.

(51) **LOC (9) Cl.** **14-01**

(52) **U.S. Cl.** **D14/205**

(58) **Field of Classification Search** D14/205, D14/206, 223, 147, 192; 181/129, 130, 135; 379/430, 431; 381/381, 382, 338, 130, 131, 381/328, 385; 128/864, 865; 455/575.2, 455/90.3; D11/11, 12, 87; D99/26; 63/3, 63/38, DIG. 3; D24/106, 174, 197, 198; D8/305, 378

See application file for complete search history.

(56) **References Cited**

U.S. PATENT DOCUMENTS

849,164 A * 4/1907 Roede 63/38

(Continued)

FOREIGN PATENT DOCUMENTS

JP D1337825 8/2008

(Continued)

OTHER PUBLICATIONS

U.S. Appl. No. 29/324,197, filed Sep. 8, 2008, entitled "Earphone".

(Continued)

Primary Examiner—Paula Greene

(74) *Attorney, Agent, or Firm*—Sterne, Kessler, Goldstein & Fox PLLC

(57) **CLAIM**

The ornamental design for an earbud, as shown and described.

DESCRIPTION

FIG. 1 is a front perspective view of an earbud showing our new design;

FIG. 2 is a rear perspective view thereof;

FIG. 3 is front view thereof;

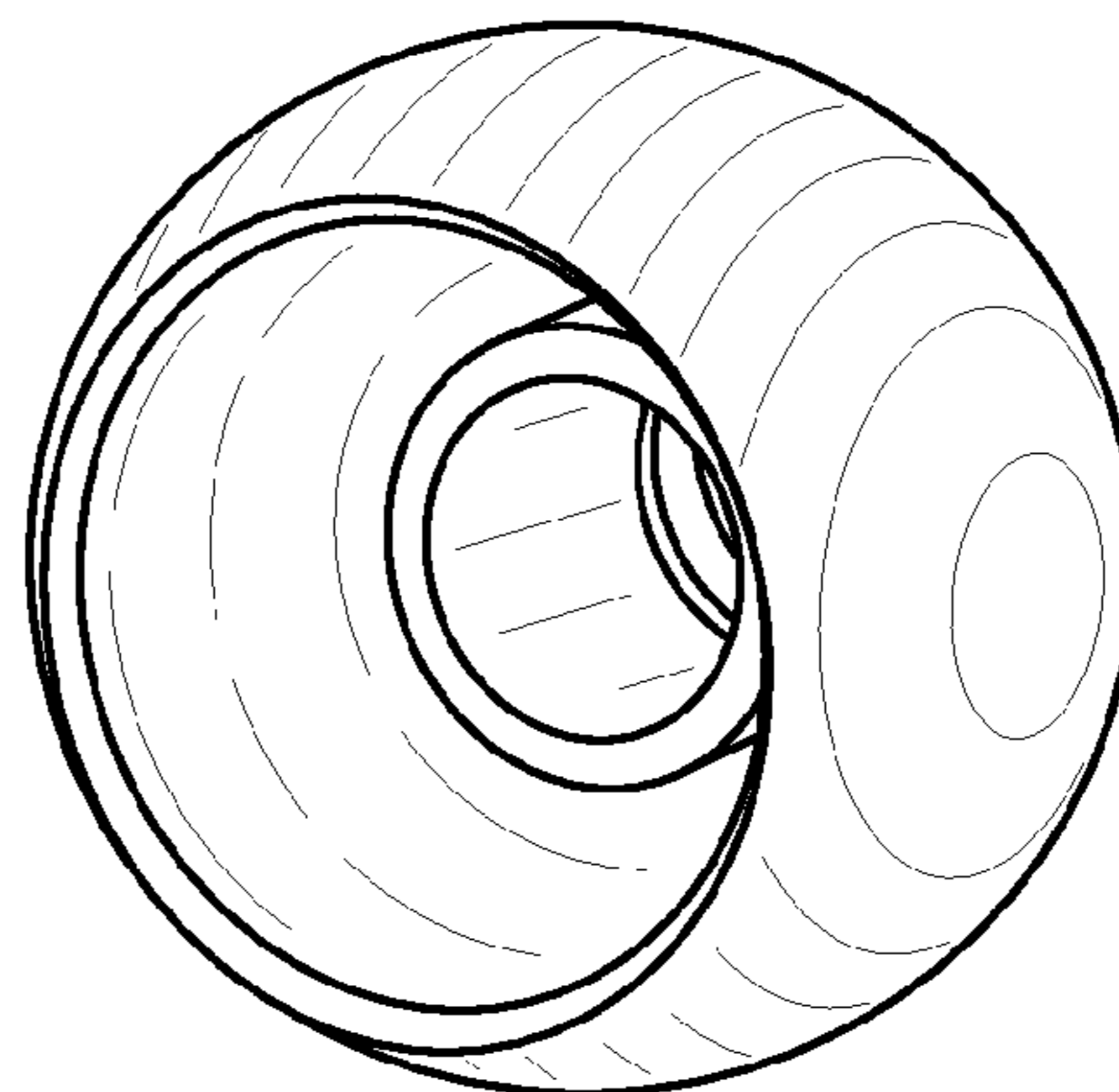
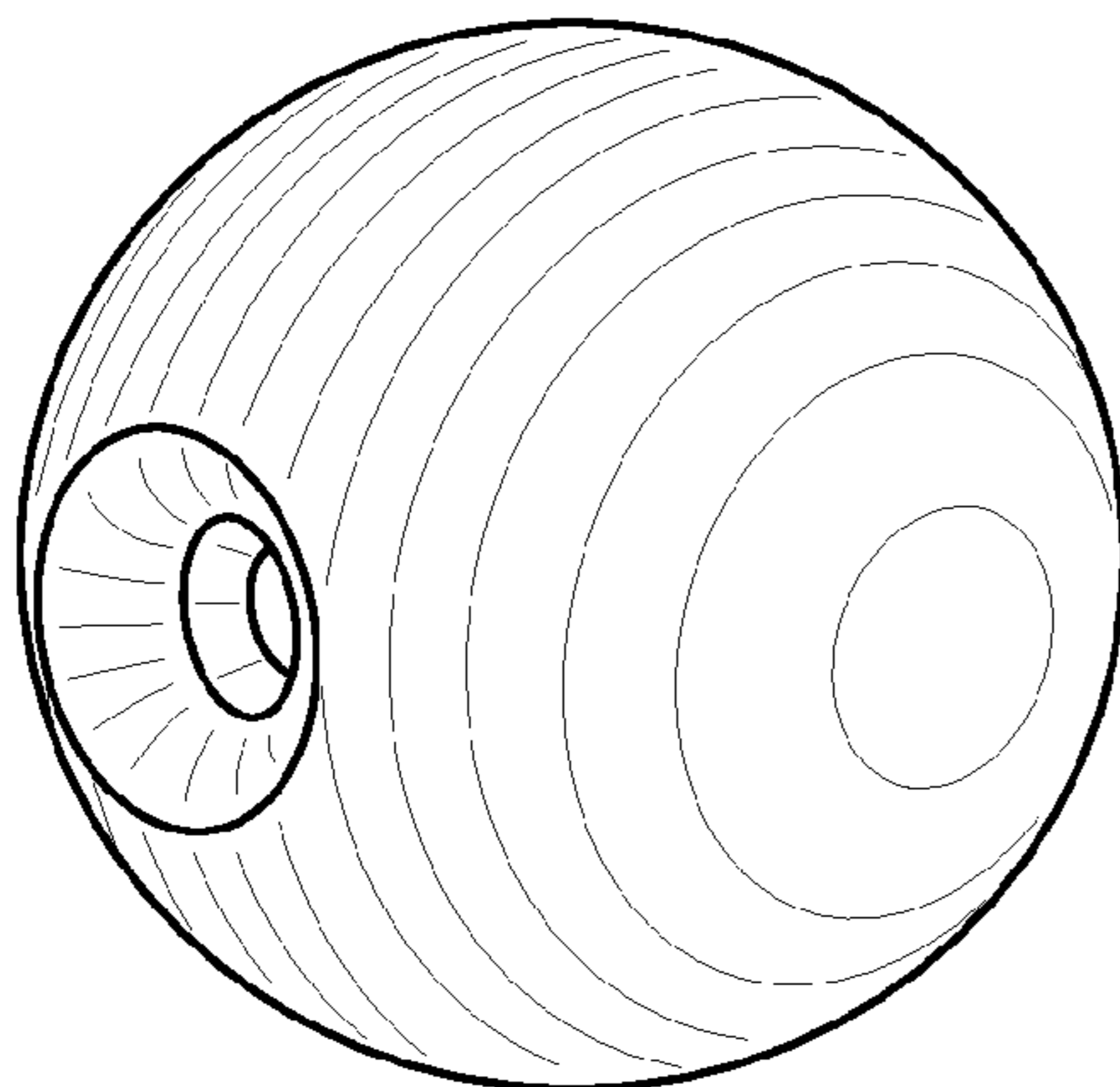
FIG. 4 is a rear view thereof;

FIG. 5 is a right side view thereof, the left side view being a mirror image thereof; and,

FIG. 6 is top plan view thereof, the bottom plan view being a mirror image thereof.

The shade lines in the Figures show contour and not surface ornamentation.

1 Claim, 1 Drawing Sheet



US D618,210 S

Page 2

U.S. PATENT DOCUMENTS

874,092 A * 12/1907 Liverpool 181/135
 946,779 A * 1/1910 Hubbell 174/138 B
 1,206,584 A * 11/1916 Palmer 24/116 A
 1,327,925 A * 1/1920 Schneider 474/154
 1,525,005 A * 2/1925 Sherman 63/3.1
 1,775,204 A * 9/1930 Lacarelle 181/135
 2,246,737 A 6/1941 Knudsen
 2,487,038 A 11/1949 Baum
 2,498,960 A * 2/1950 Mullin 381/338
 D171,613 S * 3/1954 O'Neil D14/205
 2,714,269 A * 8/1955 Charles 59/80
 2,719,523 A * 10/1955 Von Gierke 128/864
 2,780,681 A * 2/1957 Shaper 381/382
 3,066,501 A * 12/1962 Charles et al. 63/39
 D215,217 S * 9/1969 Noyes D14/205
 D245,202 S 7/1977 Asker
 4,122,841 A 10/1978 Rock et al.
 4,253,453 A * 3/1981 Hay 128/200.19
 D259,279 S 5/1981 Takeda
 4,311,149 A * 1/1982 Panizzi 606/235
 4,314,553 A * 2/1982 Westerdal 128/864
 4,456,795 A * 6/1984 Saito 381/317
 D278,234 S 4/1985 Saito
 4,588,867 A 5/1986 Konomi
 4,646,872 A 3/1987 Kamon et al.
 4,736,430 A * 4/1988 Schroder 381/322
 D298,356 S 11/1988 Falco
 4,936,411 A 6/1990 Leonard
 4,942,617 A 7/1990 Boylan
 D311,007 S 10/1990 Daido
 D316,550 S 4/1991 Sogabe
 D318,670 S 7/1991 Taniguichi
 D318,864 S 8/1991 Daido et al.
 D318,865 S 8/1991 Ichikawa
 D330,761 S 11/1992 Falco
 D331,966 S * 12/1992 Gardner, Jr. D24/106
 5,188,123 A 2/1993 Gardner, Jr.
 D334,043 S 3/1993 Taniguchi et al.
 D337,118 S 7/1993 Seikita
 5,288,953 A * 2/1994 Peart 181/130
 5,438,626 A * 8/1995 Neuman et al. 381/383
 5,781,638 A * 7/1998 Hosaka et al. 381/322
 5,792,998 A * 8/1998 Gardner et al. 181/130
 D402,752 S * 12/1998 Falco D24/106
 5,957,136 A 9/1999 Magidson et al.
 5,979,589 A 11/1999 Accti
 6,056,082 A * 5/2000 Lindgren et al. 181/130
 D427,304 S 6/2000 Magidson et al.
 6,105,714 A * 8/2000 Lindgren 181/135
 6,123,168 A * 9/2000 Berg et al. 181/129
 D431,553 S 10/2000 Suzuki
 6,253,871 B1 7/2001 Accti
 6,289,559 B1 * 9/2001 Langer 24/68 J
 6,292,572 B1 * 9/2001 Yoest et al. 381/322
 6,349,568 B1 * 2/2002 Ito 63/3
 D456,901 S * 5/2002 Dudziak D24/174
 D469,753 S 2/2003 Andre et al.
 D485,548 S 1/2004 Obata
 D487,077 S 2/2004 Obata
 6,738,487 B1 5/2004 Nageno et al.

D506,744 S 6/2005 Andre et al.
 D514,094 S * 1/2006 Griffin D14/223
 D515,070 S 2/2006 Andre et al.
 D516,058 S 2/2006 Garcia
 D524,938 S * 7/2006 Schreiber D24/106
 7,082,206 B2 7/2006 Mahoney et al.
 7,092,543 B1 8/2006 Mahoney et al.
 D535,644 S 1/2007 Drambarean et al.
 D539,268 S * 3/2007 Suzuki D14/206
 7,221,768 B2 * 5/2007 Sjursen et al. 381/322
 D550,657 S * 9/2007 Gan et al. D14/223
 D554,627 S 11/2007 Gondo
 D555,152 S 11/2007 Wang
 D559,836 S * 1/2008 Lee D14/223
 D564,495 S * 3/2008 Sasaki D14/205
 D567,217 S 4/2008 Kamo et al.
 D568,291 S 5/2008 Andre et al.
 D572,703 S 7/2008 Ledbetter et al.
 D573,978 S 7/2008 Ledbetter et al.
 D576,154 S 9/2008 Ledbetter et al.
 D579,005 S 10/2008 Wilhelmsen
 D579,444 S 10/2008 Ewert et al.
 D579,923 S 11/2008 Andre et al.
 D580,414 S 11/2008 Chapman
 D586,332 S 2/2009 Ewert et al.
 D587,247 S * 2/2009 Densho D14/223
 D587,677 S 3/2009 Andre et al.
 D589,491 S 3/2009 Andre et al.
 D589,493 S * 3/2009 Densho D14/206
 D591,721 S * 5/2009 Densho D14/205
 D594,441 S * 6/2009 Lee et al. D14/205
 D595,270 S 6/2009 Andre et al.
 D596,616 S * 7/2009 Andre et al. D14/205

FOREIGN PATENT DOCUMENTS

TW D123531 7/2008

OTHER PUBLICATIONS

U.S. Appl. No. 29/324,132, filed Sep. 5, 2008, entitled "Earphone".
 U.S. Appl. No. 29/336,806, filed May 8, 2009, entitled "Earbud".
 U.S. Appl. No. 29/339,483, filed Jun. 30, 2009, entitled "Ear Piece".
 Office Action for Taiwan Design Patent Application No. 098300880, dated Oct. 30, 2009.
 Search Report for Taiwan New Design Patent Application No. 098300880, completed Oct. 22, 2009.
 Office Action for Taiwan Design Patent Application No. 098300877, dated Nov. 18, 2009.
 Search Report for Taiwan New Design Patent Application No. 098300877, completed Nov. 11, 2009.
 Office Action for Taiwan Design Patent Application No. 098300878, dated Nov. 27, 2009.
 Search Report for Taiwan New Design Patent Application No. 098300878, completed Nov. 20, 2009.
 Office Action for Japanese Design Patent Application No. 2009-004914 dated, Nov. 24, 2009.
 "Skullcandy INK'D Earbuds (Black)", downloaded Jan. 11, 2010, <http://www.amazon.com/Skull-Candy-S2INBT-FZ-Skullcandy-Earbuds/dp/B000Q74102.htm>.
 HC17065312, Acoustic Instrument Catalogue 2005, 4th Edition, Received by JPO on Jan. 27, 2006, p. 72.

* cited by examiner

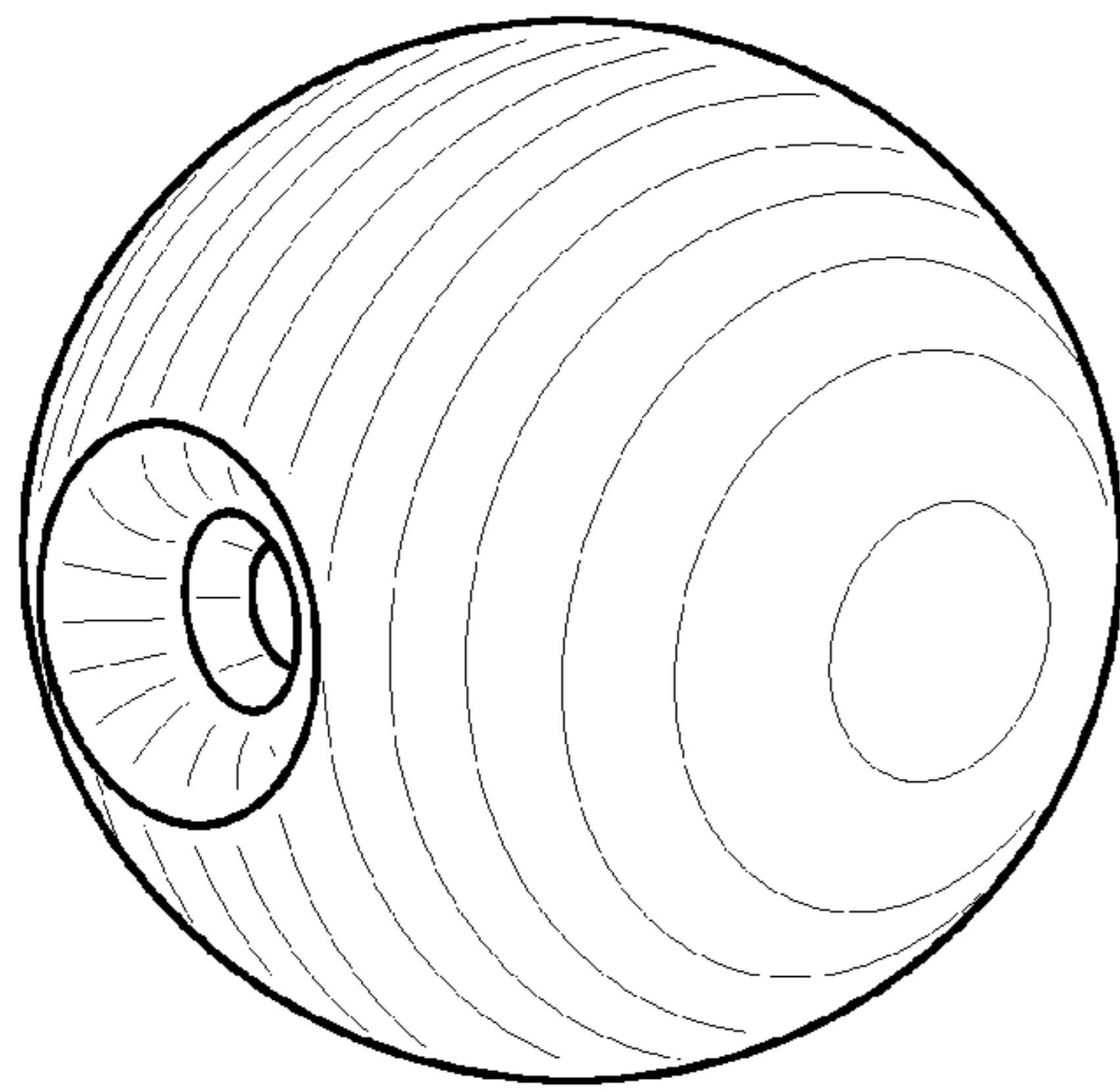


FIG. 1

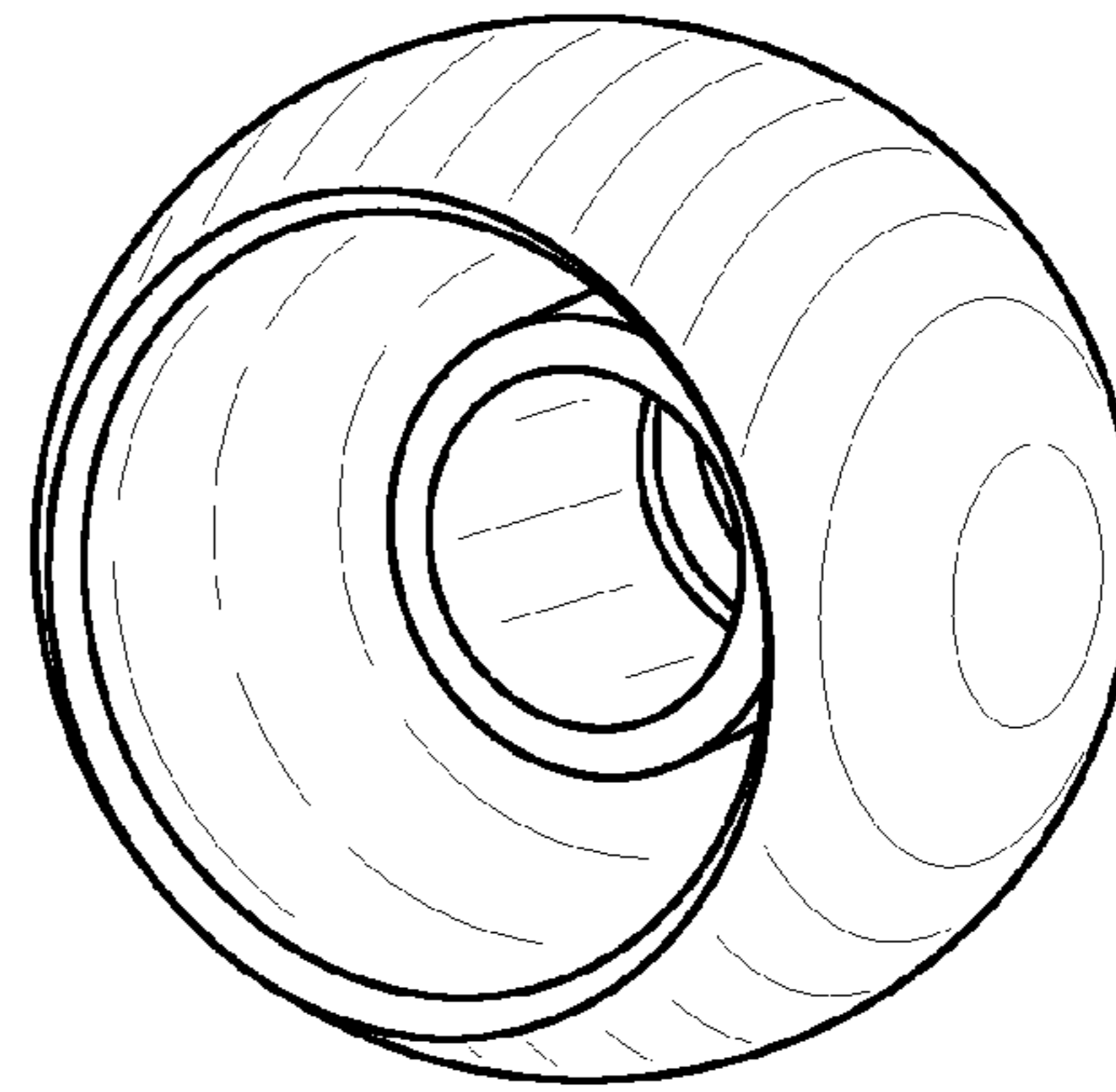


FIG. 2

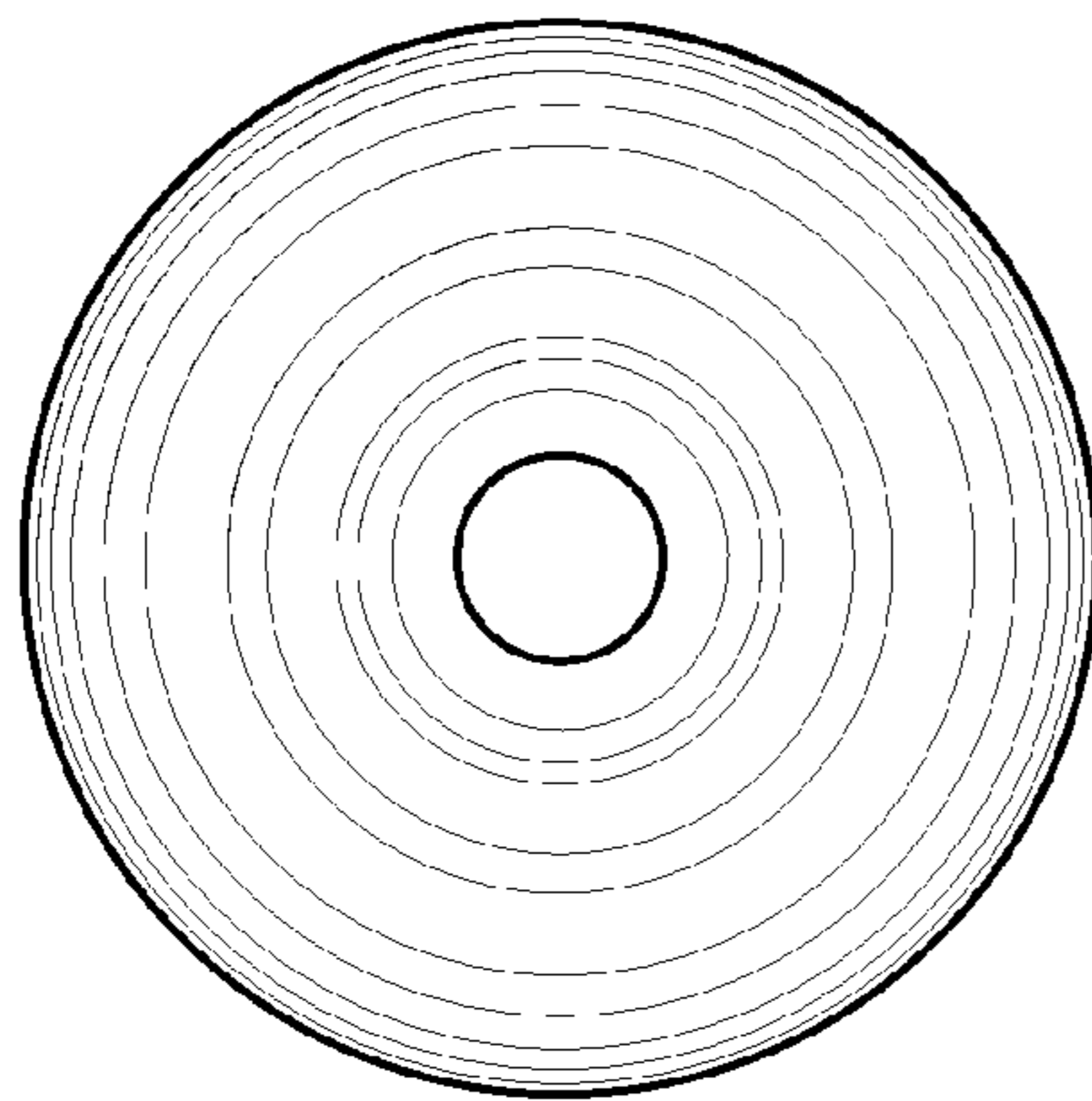


FIG. 3

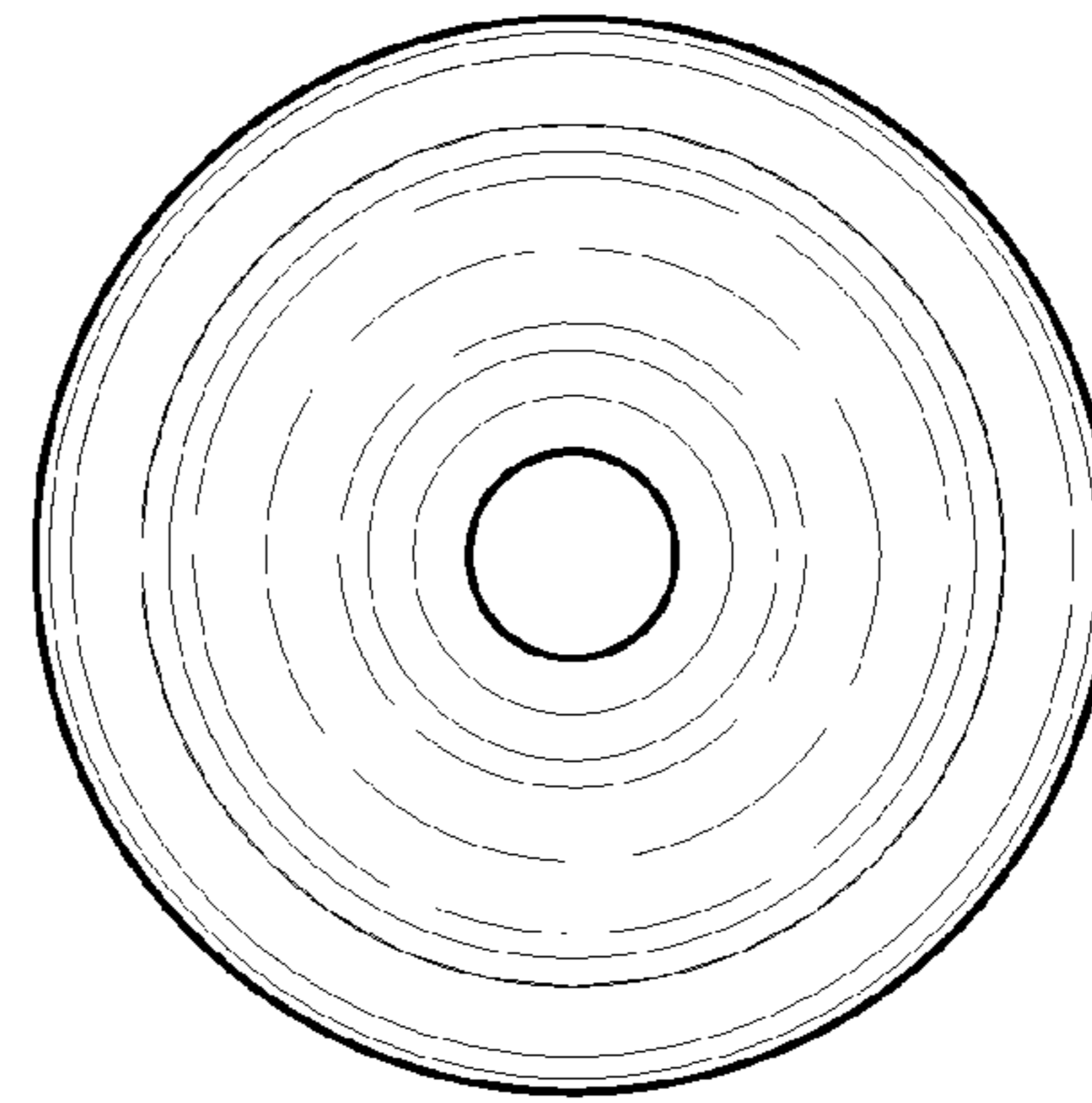


FIG. 4

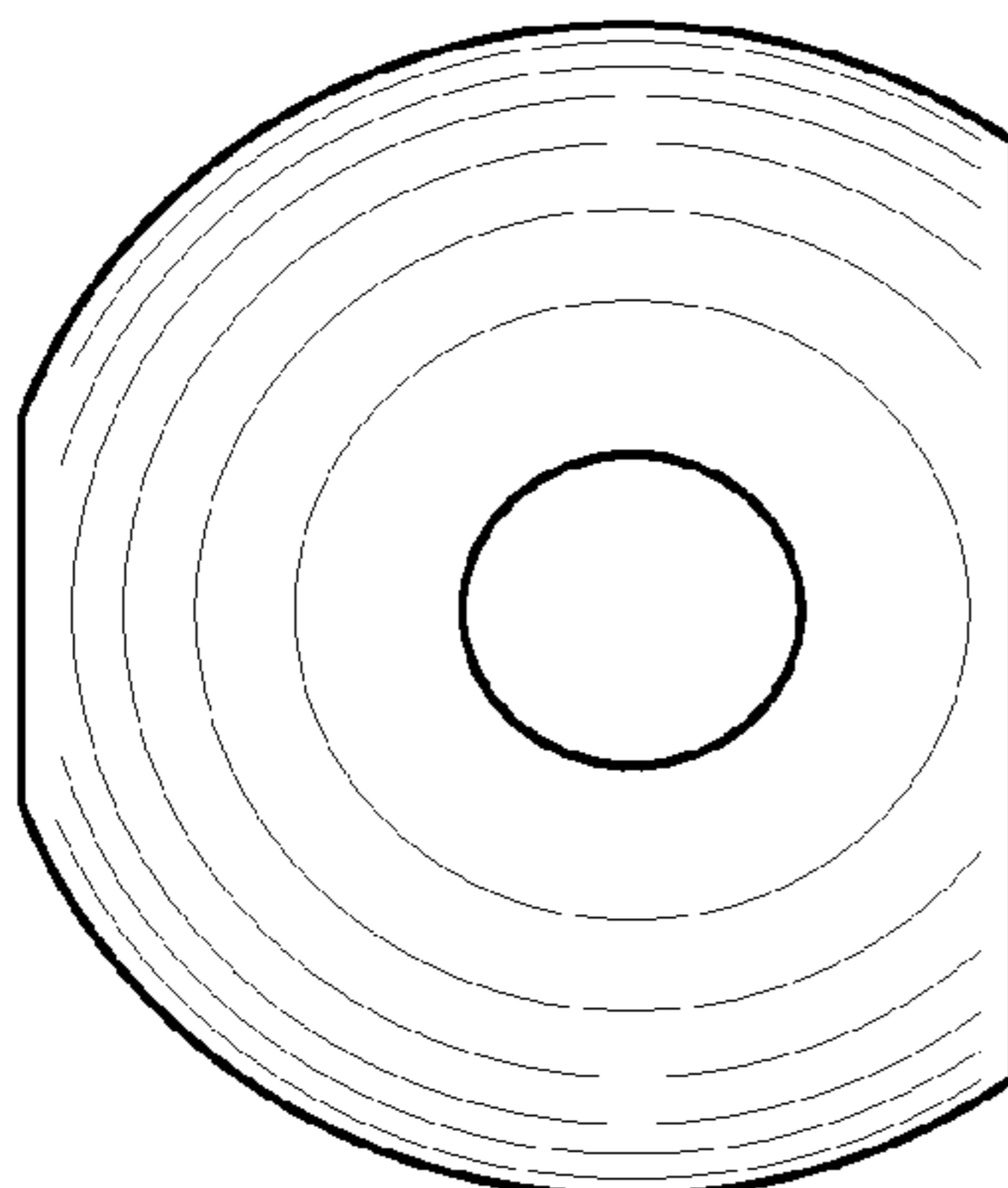


FIG. 5

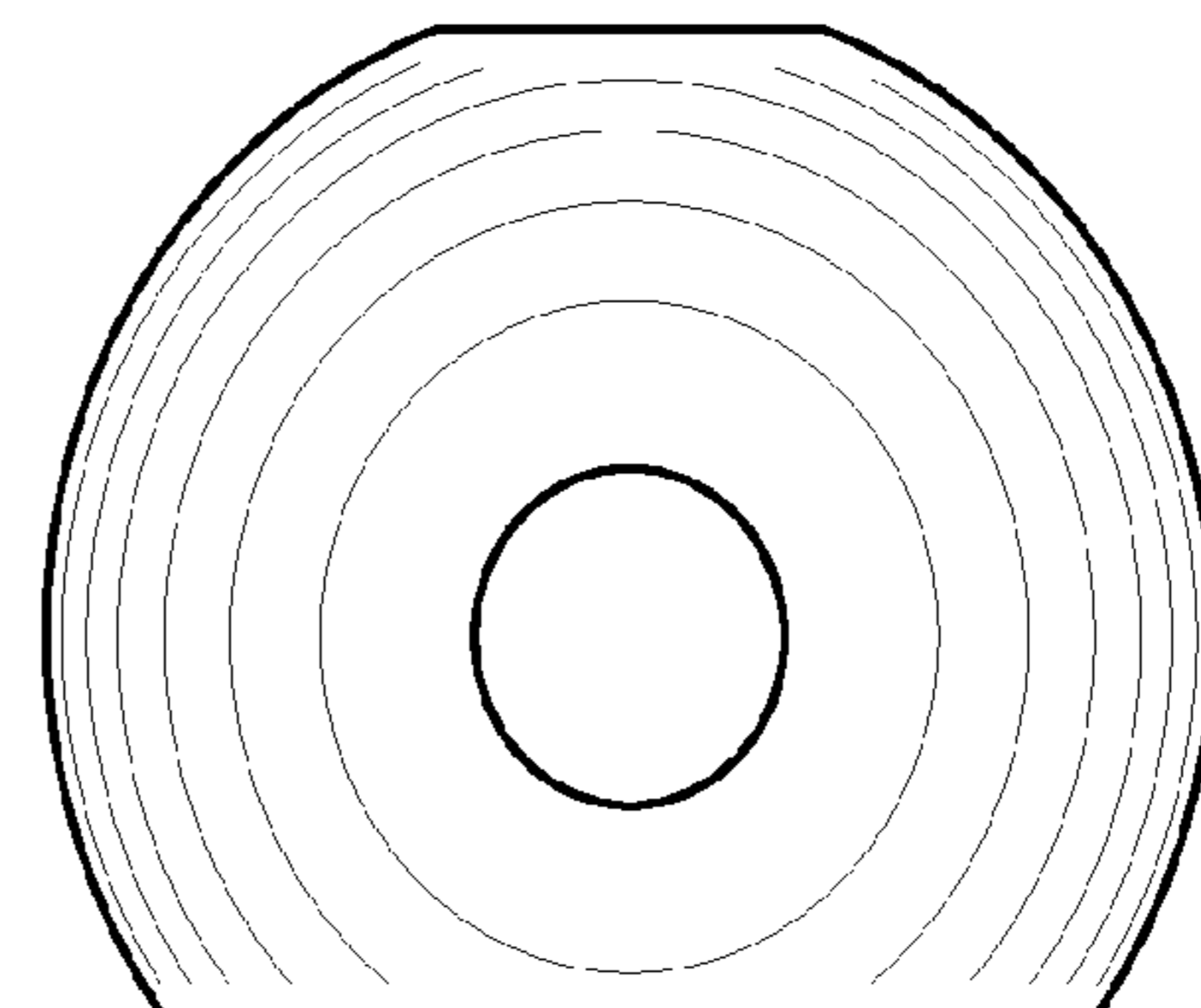


FIG. 6