



US00D618207S

(12) **United States Design Patent**  
**Andre et al.**

(10) **Patent No.:** **US D618,207 S**  
(45) **Date of Patent:** **\*\* Jun. 22, 2010**

(54) **MEDIA DEVICE**

application No. 29/196,832, filed on Jan. 5, 2004, now abandoned.

(75) Inventors: **Bartley K. Andre**, Menlo Park, CA (US); **Daniel J. Coster**, San Francisco, CA (US); **Daniele De Iuliis**, San Francisco, CA (US); **Richard P. Howarth**, San Francisco, CA (US); **Jonathan P. Ive**, San Francisco, CA (US); **Steve Jobs**, Palo Alto, CA (US); **Duncan Robert Kerr**, San Francisco, CA (US); **Shin Nishibori**, Portola Valley, CA (US); **Matthew Dean Rohrbach**, San Francisco, CA (US); **Douglas B. Satzger**, Menlo Park, CA (US); **Calvin Q. Seid**, Palo Alto, CA (US); **Christopher J. Stringer**, Woodside, CA (US); **Eugene Antony Whang**, San Francisco, CA (US); **Rico Zorkendorfer**, San Francisco, CA (US)

(51) **LOC (9) Cl.** ..... **14-03**  
(52) **U.S. Cl.** ..... **D14/203.7; D14/203.3; D14/496**  
(58) **Field of Classification Search** ..... **D14/496, D14/401, 435, 474, 483, 217, 137, 138, 160, D14/168, 356, 203.1-203.8, 507; 345/156, 345/169, 173-179, 905; 715/727-729, 864; 710/1, 5, 8; 713/1, 600; 455/1.1, 1.7, 73, 455/344-347, 93, 95, 3.01-3.06, 550.1, 575.1; 370/342-344; 369/1, 2, 6-12; 463/43-47; 273/148 B**

See application file for complete search history.

(73) Assignee: **Apple Inc.**, Cupertino, CA (US)

(\*\*) Term: **14 Years**

(21) Appl. No.: **29/352,294**

(22) Filed: **Dec. 18, 2009**

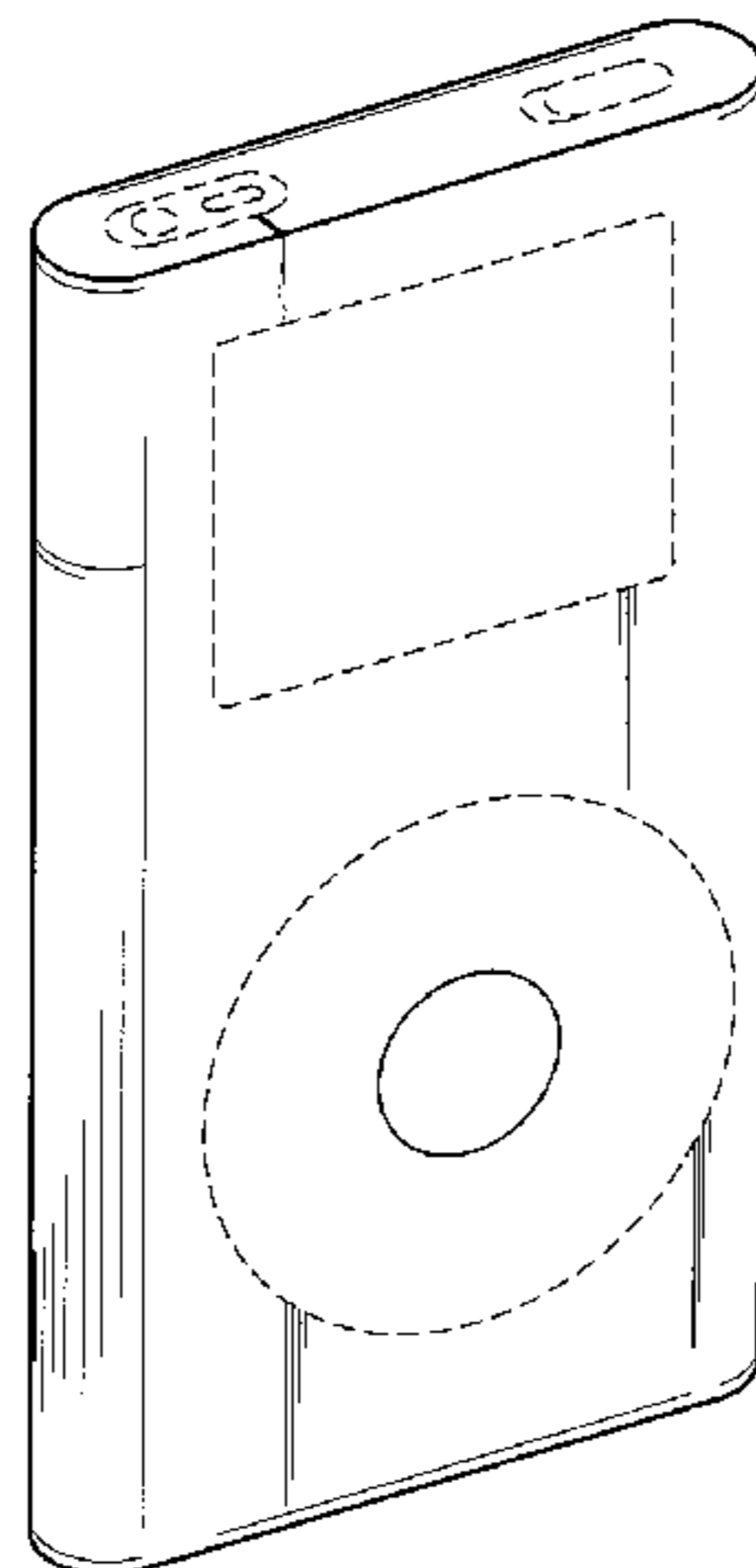
**Related U.S. Application Data**

(63) Continuation of application No. 29/341,274, filed on Aug. 3, 2009, now Pat. No. Des. 608,342, which is a continuation of application No. 29/332,768, filed on Feb. 25, 2009, now Pat. No. Des. 597,558, which is a continuation of application No. 29/305,583, filed on Mar. 24, 2008, now Pat. No. Des. 591,766, which is a continuation of application No. 29/281,530, filed on Jun. 26, 2007, now Pat. No. Des. 575,304, which is a continuation of application No. 29/260,454, filed on May 24, 2006, now Pat. No. Des. 551,680, which is a continuation of application No. 29/224,220, filed on Feb. 25, 2005, now abandoned, which is a continuation of application No. 29/212,343, filed on Aug. 31, 2004, now Pat. No. Des. 506,476, which is a continuation of

(56) **References Cited**

**U.S. PATENT DOCUMENTS**

D264,969 S	6/1982	McGourty	
4,976,435 A	12/1990	Shatford et al.	
5,192,082 A	3/1993	Inoue et al.	
D339,806 S *	9/1993	Grinkus	D14/217
5,414,444 A *	5/1995	Britz	345/156
5,661,632 A	8/1997	Register	
D412,940 S	8/1999	Kato et al.	
5,964,661 A	10/1999	Dodge	
D425,885 S	5/2000	Amron	
D430,169 S	8/2000	Scibora	
6,122,526 A	9/2000	Parulski et al.	
D432,523 S	10/2000	Grinkus et al.	
D437,860 S	2/2001	Suzuki et al.	
D438,525 S	3/2001	Katayama	
6,227,966 B1	5/2001	Yokoi	
6,254,477 B1	7/2001	Sasaki et al.	
6,262,785 B1	7/2001	Kim	
D446,499 S	8/2001	Andre et al.	
D448,810 S	10/2001	Goto	
D450,713 S	11/2001	Masamitsu et al.	
6,314,483 B1	11/2001	Goto et al.	
D452,250 S	12/2001	Chan	
D455,793 S	4/2002	Lin	
D468,365 S	1/2003	Bransky et al.	
D469,109 S	1/2003	Jobs et al.	
D472,245 S	3/2003	Andre et al.	
D473,207 S	4/2003	Tanio	
6,591,085 B1	7/2003	Grady	



# US D618,207 S

Page 2

D483,809 S	12/2003	Lim	
D486,813 S	2/2004	Chun	
D489,052 S	4/2004	Shiraki et al.	
D489,731 S	5/2004	Huang	
D490,068 S	5/2004	Chen	
D492,323 S	6/2004	Wang	
D494,188 S	8/2004	Huang	
D497,618 S	10/2004	Andre et al.	
D499,388 S *	12/2004	Murakami	..... D14/507
D503,409 S	3/2005	Wong et al.	
D506,476 S	6/2005	Andre et al.	
6,977,675 B2	12/2005	Kotzin	
D515,545 S	2/2006	Griffin	
D516,579 S	3/2006	Nakamura	
7,013,164 B2	3/2006	Lin	
D518,290 S	4/2006	Andre et al.	
7,046,230 B2	5/2006	Zadesky et al.	
D529,512 S	10/2006	Reawsanguanwong	
D543,553 S	5/2007	Langberg et al.	
7,230,822 B2	6/2007	Langberg et al.	
D551,608 S	9/2007	Humphrey et al.	
D553,129 S	10/2007	Andre et al.	
7,281,214 B2	10/2007	Fadell et al.	
D575,304 S	8/2008	Andre et al.	
D584,743 S *	1/2009	Sheba et al.	..... D14/496
D589,979 S *	4/2009	Andre et al.	..... D14/496
D591,766 S *	5/2009	Andre et al.	..... D14/496
D592,227 S *	5/2009	Oh et al.	..... D14/496
D593,994 S *	6/2009	Andre et al.	..... D14/203.7

## FOREIGN PATENT DOCUMENTS

CN	3260632D	10/2002
CN	3260633D	10/2002
CN	3269799D	12/2002
CN	3286007D	4/2003
CN	3287344D	4/2003
CN	3331371D	10/2003
CN	3339759D	12/2003
CN	3375890D	6/2004

CN	3380859D	7/2004
CN	3389184D	9/2004
CN	3389185D	9/2004

## OTHER PUBLICATIONS

U.S. Appl. No. 29/196,832, Andre et al., "Media Device", filed Jan. 5, 2004.

U.S. Appl. No. 29/224,220, Andre et al., "Electronic Device", filed Feb. 25, 2005.

\* cited by examiner

*Primary Examiner*—Prabhakar Deshmukh  
(74) *Attorney, Agent, or Firm*—Sterne, Kessler, Goldstein & Fox, PLLC

## (57) CLAIM

We claim the ornamental design for a media device, as shown and described.

## DESCRIPTION

FIG. 1 is a perspective view of a media device in accordance with the present design. The media device can, for example, be a media player or a media storage device.

FIG. 2 is a front view thereof;

FIG. 3 is a rear view thereof;

FIG. 4 is a top view thereof;

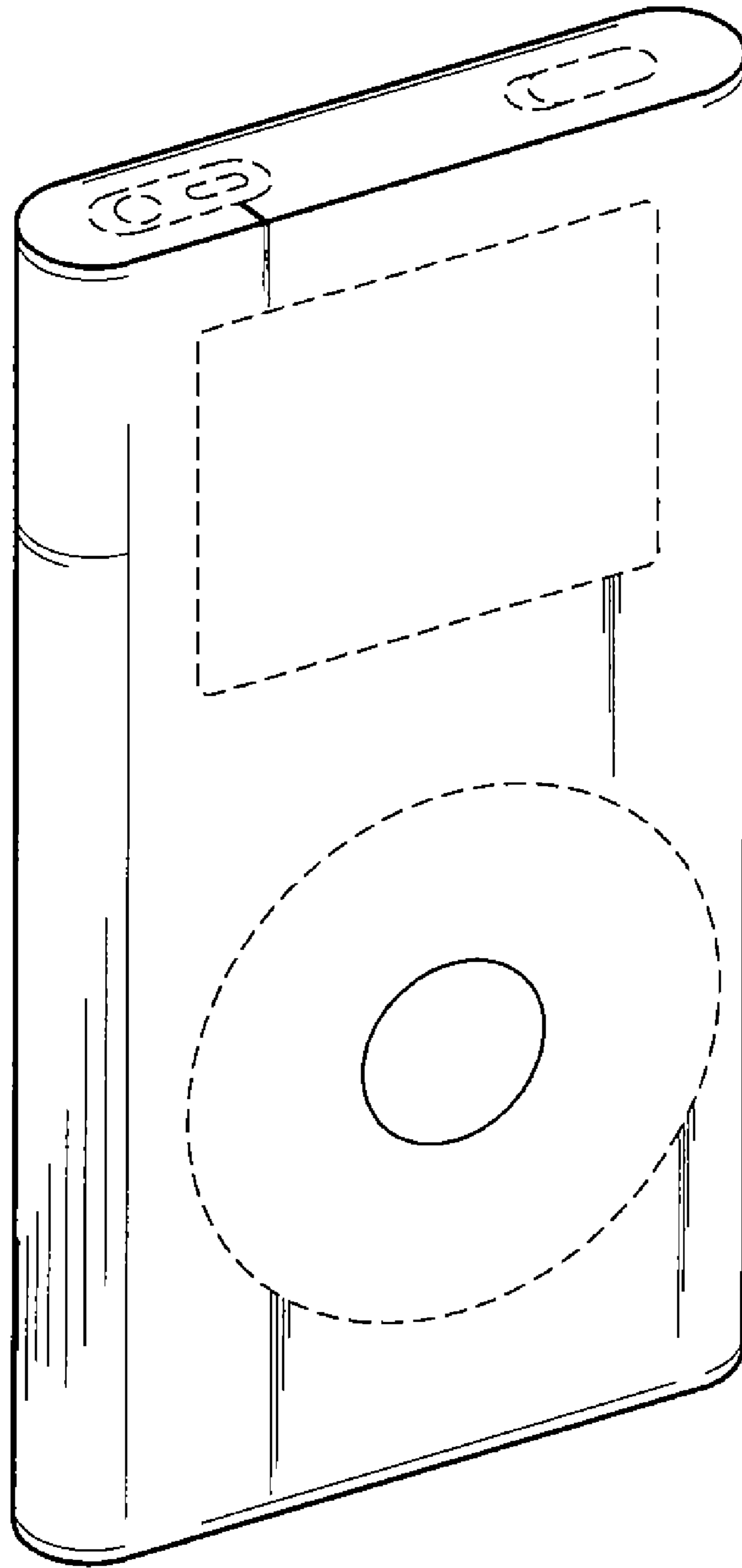
FIG. 5 is a bottom view thereof;

FIG. 6 is a right side view thereof; and,

FIG. 7 is a left side view thereof.

The broken lines show portions of the media device which form no part of the claimed design.

**1 Claim, 3 Drawing Sheets**



*FIG. 1*

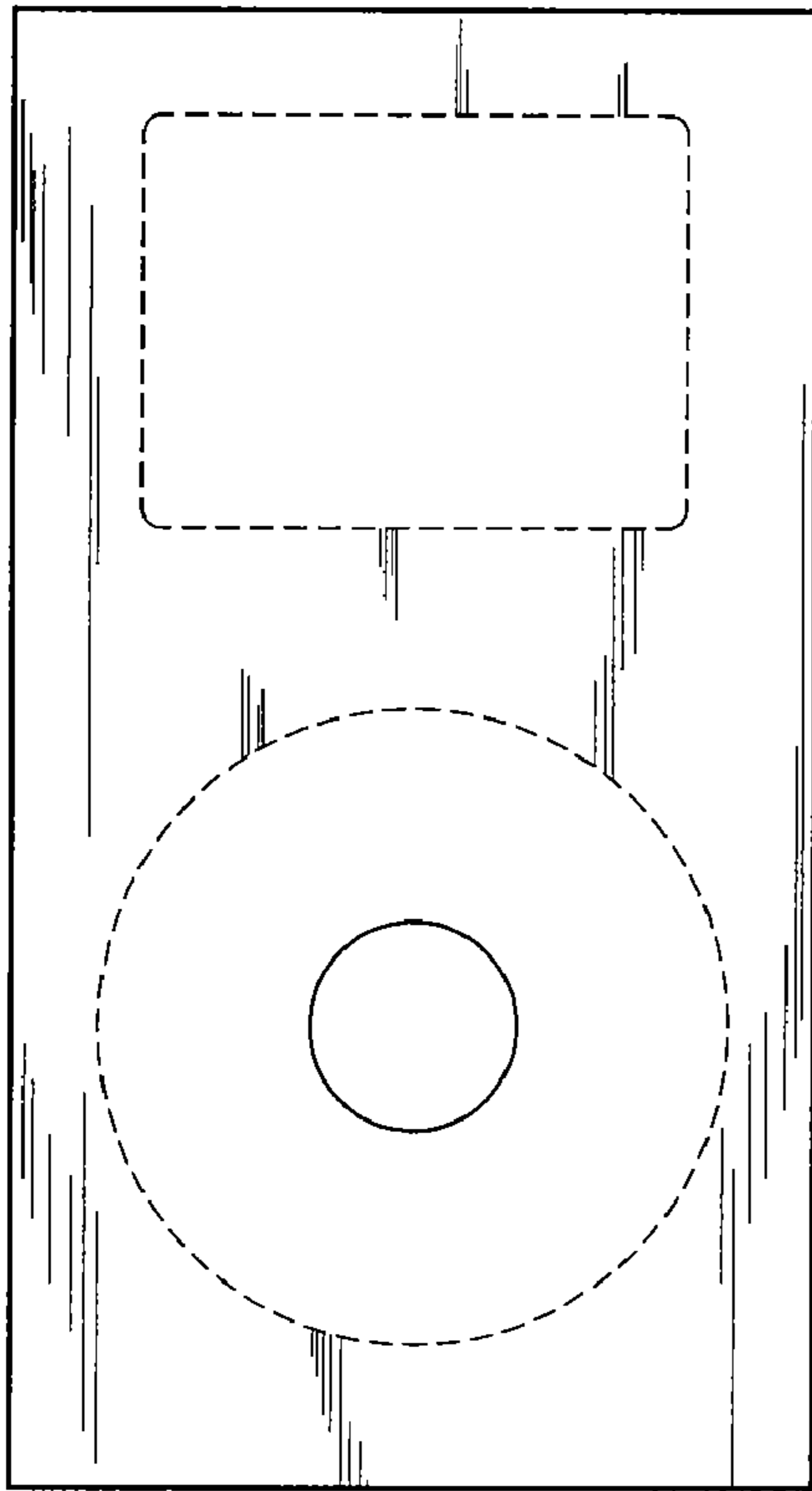


FIG. 2

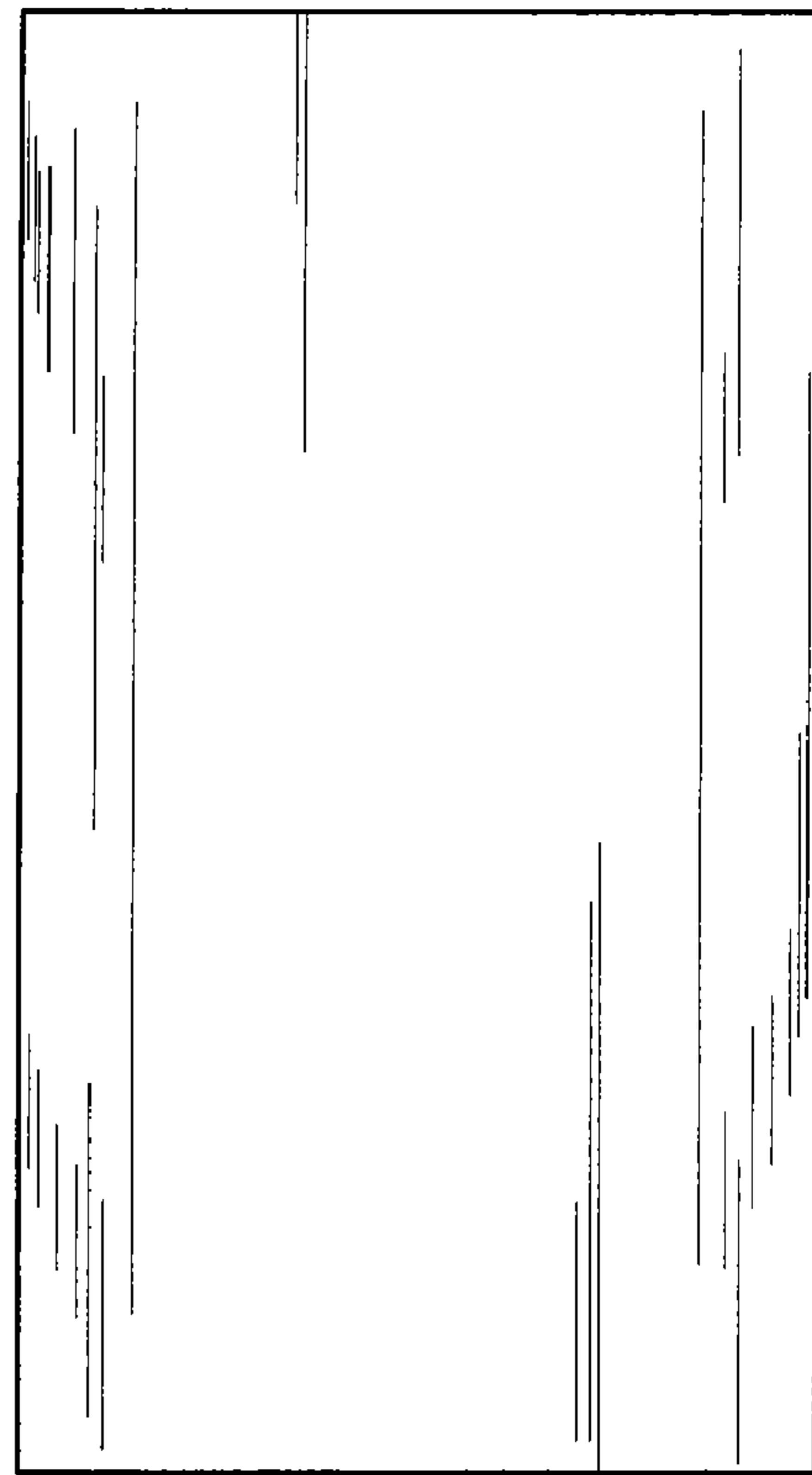


FIG. 3



FIG. 4

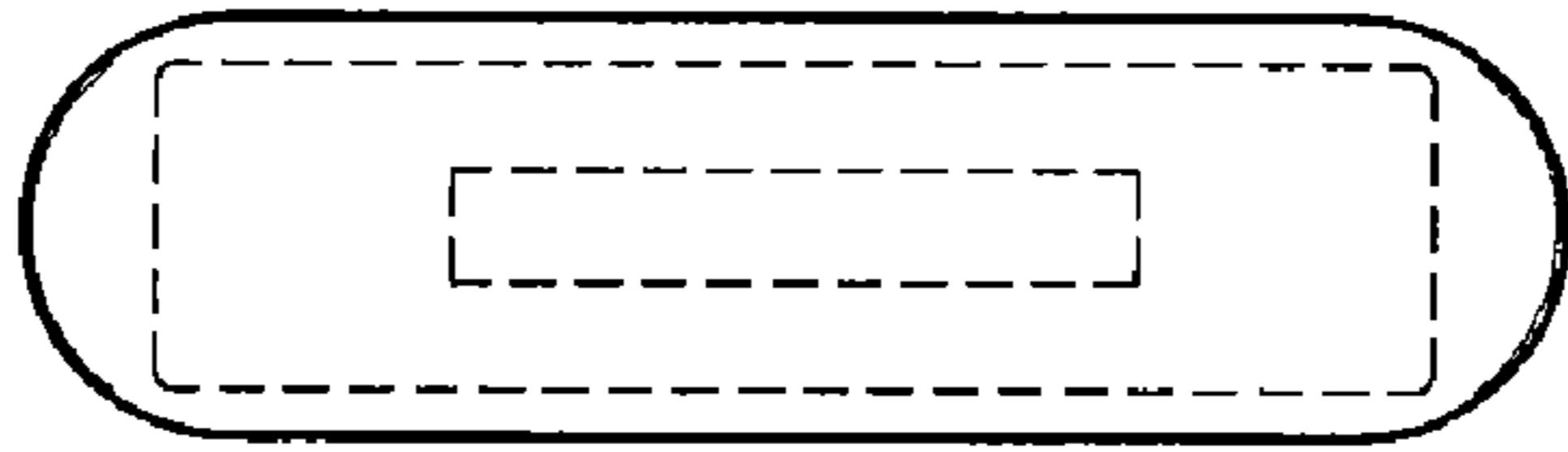


FIG. 5

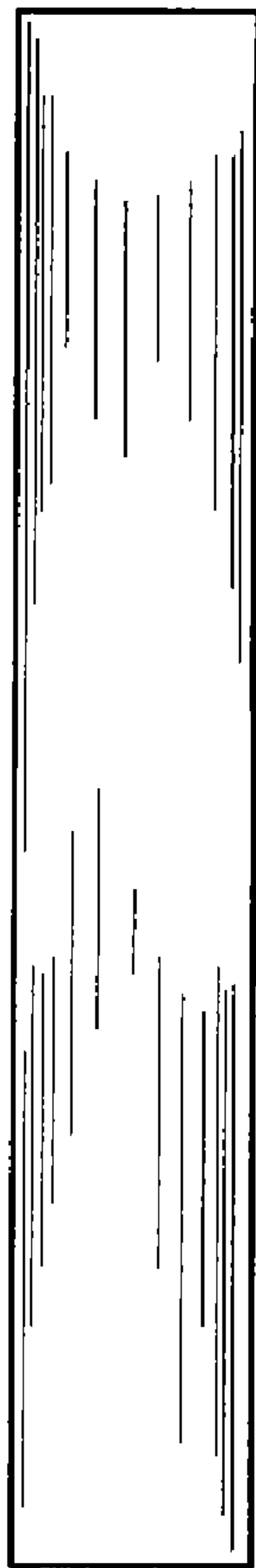


FIG. 6

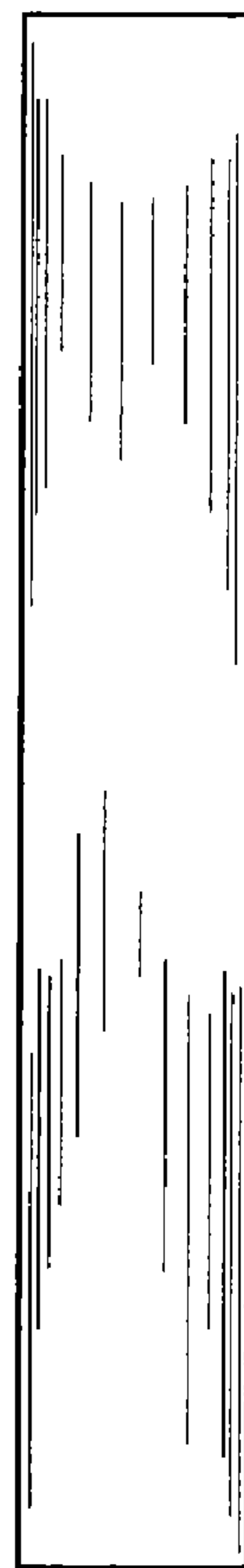


FIG. 7