



US00D618203S

(12) **United States Design Patent**
Bradford

(10) **Patent No.:** **US D618,203 S**
(45) **Date of Patent:** **** Jun. 22, 2010**

(54) **MEDIA DEVICE**
(75) Inventor: **Simon Bradford**, Espoo (FI)
(73) Assignee: **Nokia Corporation**, Espoo (FI)
(**) Term: **14 Years**
(21) Appl. No.: **29/304,167**
(22) Filed: **Feb. 26, 2008**
(30) **Foreign Application Priority Data**
Aug. 27, 2007 (EM) 000779053

6,795,715 B1 * 9/2004 Kubo et al. 455/556.1
D512,027 S 11/2005 Sarasjoki et al.
6,977,675 B2 * 12/2005 Kotzin 348/208.2
7,203,529 B2 * 4/2007 Kim et al. 455/575.1
D553,154 S * 10/2007 Kim D14/496
D560,227 S * 1/2008 Bennett et al. D14/496
D560,230 S * 1/2008 Yagi D14/496
D577,371 S * 9/2008 Hu et al. D14/496
D582,385 S 12/2008 Sanguinetti
D583,377 S 12/2008 Bradford et al.
D583,378 S 12/2008 Bradford et al.
D584,646 S 1/2009 Sanguinetti
D605,167 S * 12/2009 Sheba et al. D14/203.7
D605,626 S * 12/2009 Park D14/203.7

* cited by examiner

(51) **LOC (9) Cl.** **14-03**
(52) **U.S. Cl.** **D14/203.2; D14/496**
(58) **Field of Classification Search** D14/496,
D14/401, 435, 474, 483, 217, 137, 138, 160,
D14/168, 356, 203.1-203.8, 507; 345/156,
345/169, 173-179, 905; 715/727-729, 864;
710/1, 5, 8; 713/1, 600; 455/1.1, 1.7, 73,
455/344-347, 93, 95, 3.01-3.06, 550.1, 573.1;
370/342-344; 369/1, 2, 6-12; 463/43-47;
273/148 B

See application file for complete search history.

(56) **References Cited**
U.S. PATENT DOCUMENTS

D459,717 S 7/2002 Bohne
D478,893 S 8/2003 Corander
6,779,116 B2 * 8/2004 Tagawa et al. 713/193
6,791,907 B2 * 9/2004 Berhan 369/7

Primary Examiner—Prabhakar Deshmukh
(74) *Attorney, Agent, or Firm*—Banner & Witcoff, Ltd.

(57) **CLAIM**

The ornamental design for a media device, as shown and described.

DESCRIPTION

FIG. 1 is a top perspective view of a media device showing my new design;

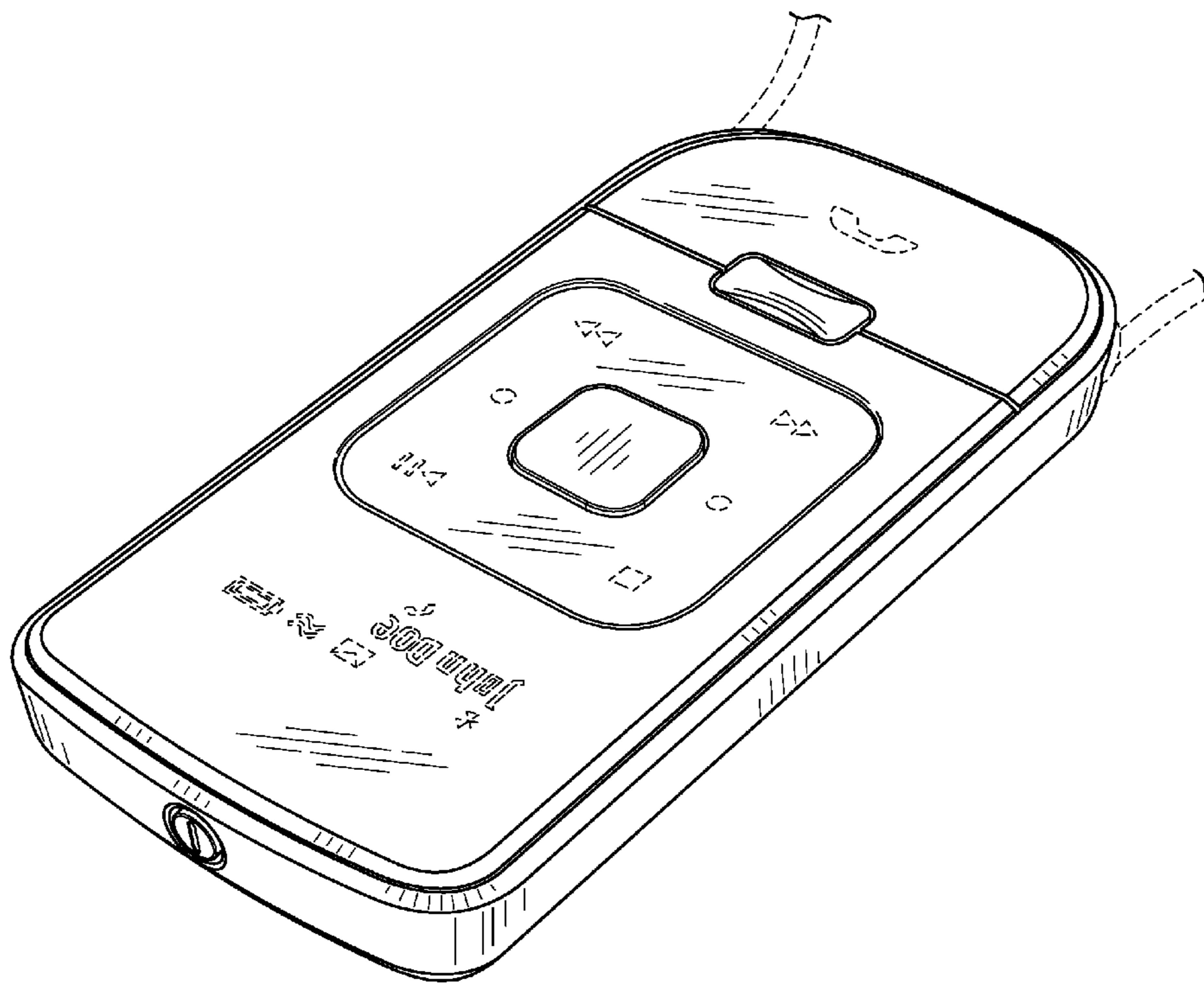
FIG. 2 is a bottom perspective view thereof;

FIG. 3 is a top perspective view thereof; and,

FIG. 4 is a bottom perspective view thereof.

The broken lines environment is for illustrative purpose only and forms no part of the claimed design.

1 Claim, 4 Drawing Sheets



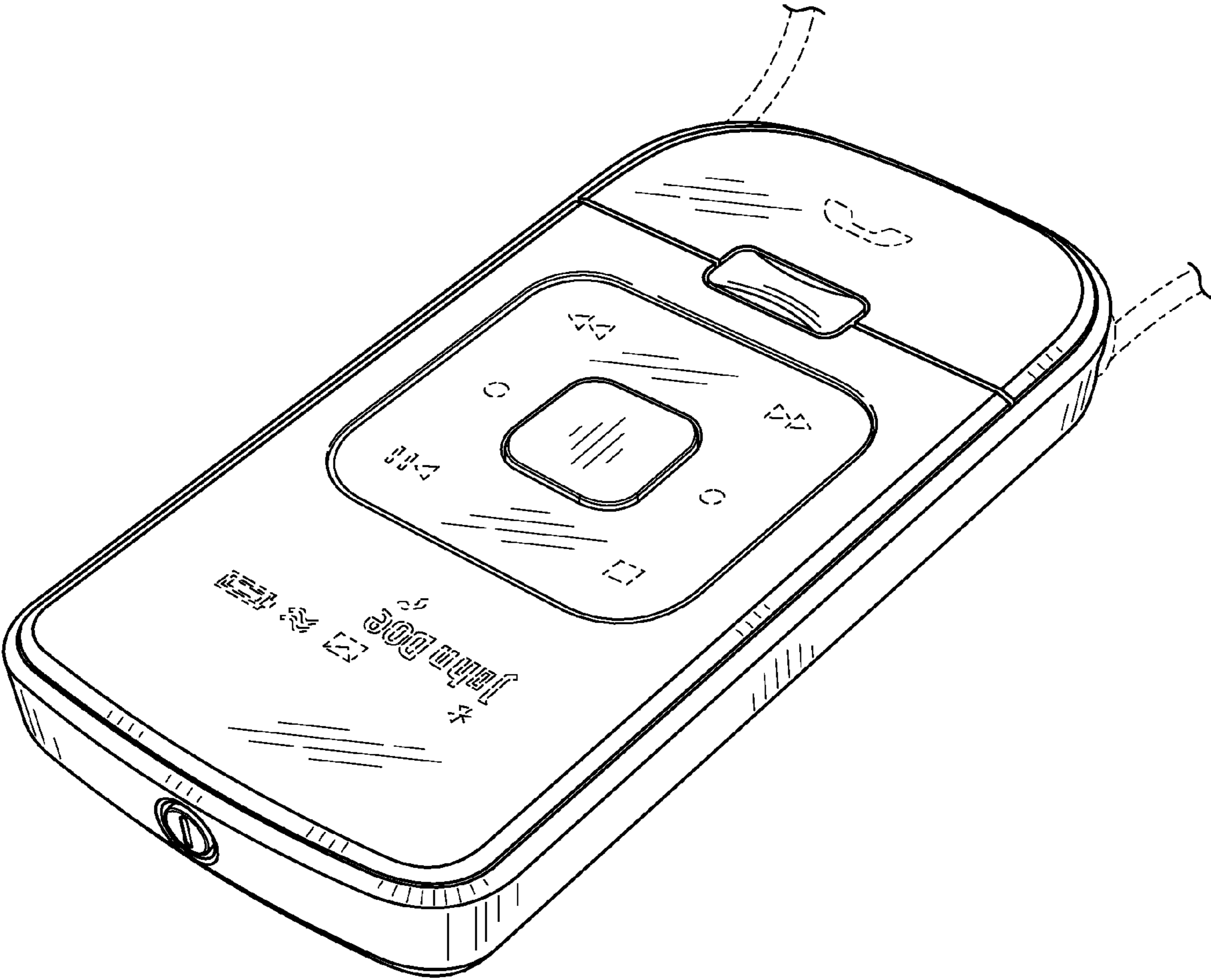


FIG. 1

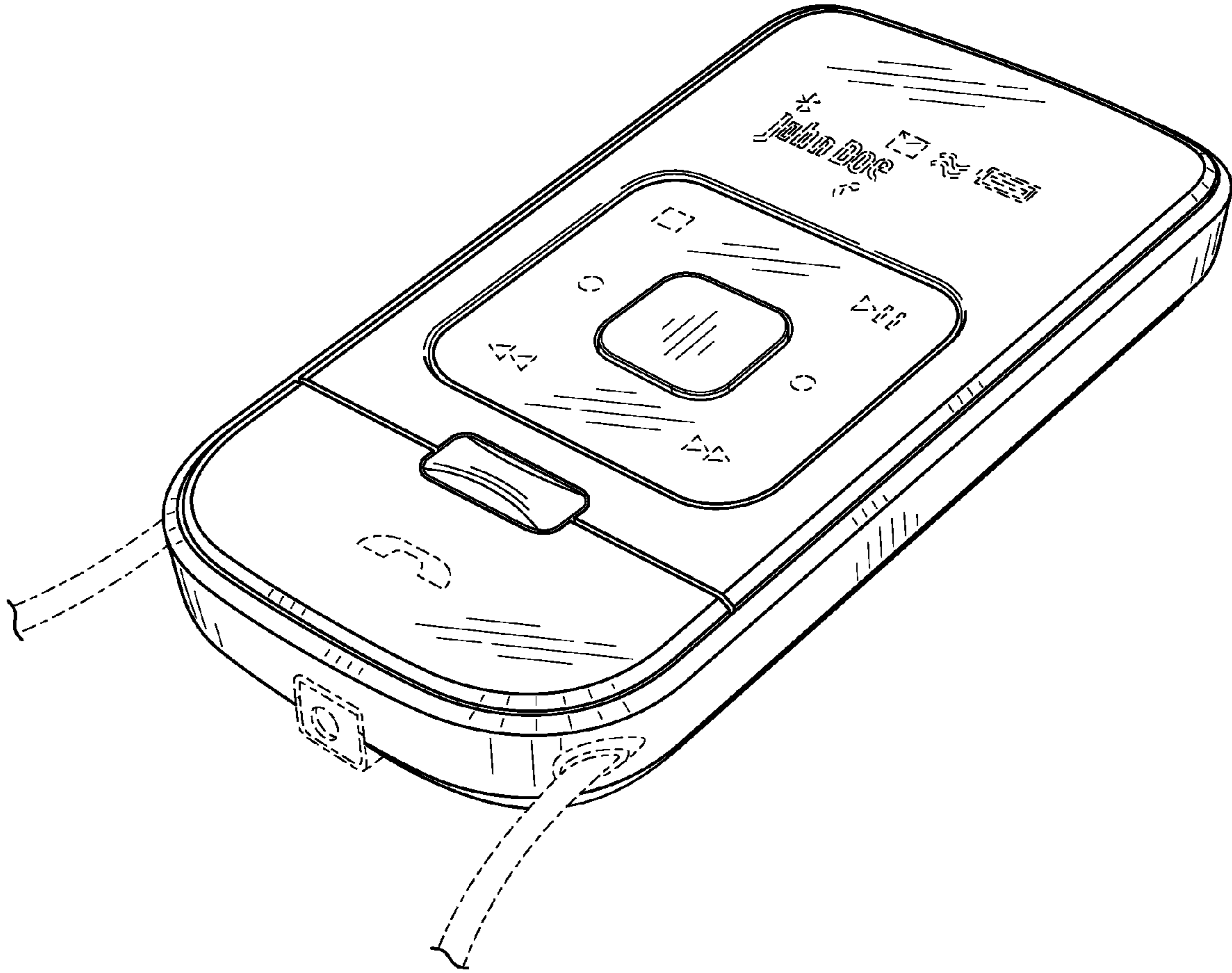


FIG. 2

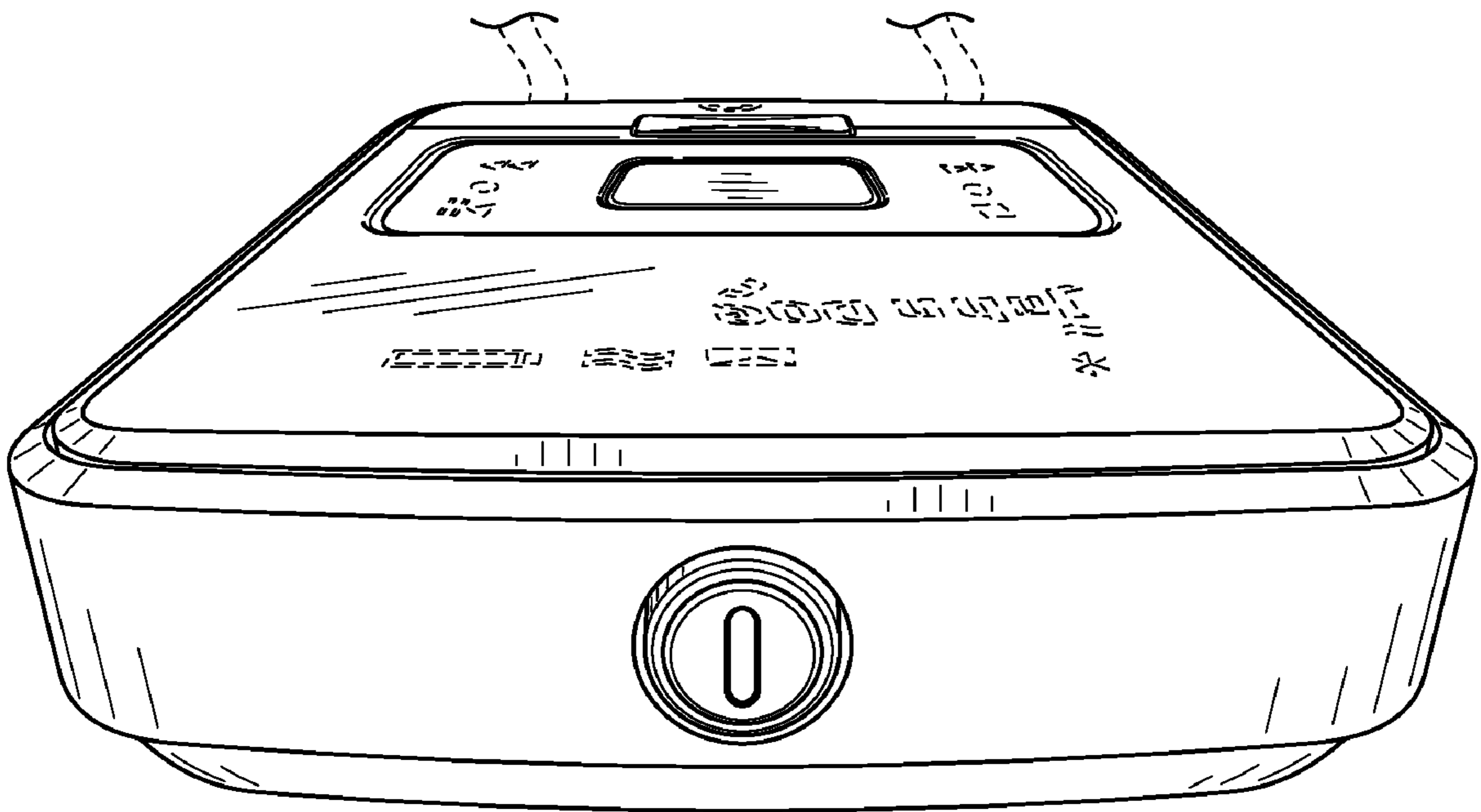


FIG. 3

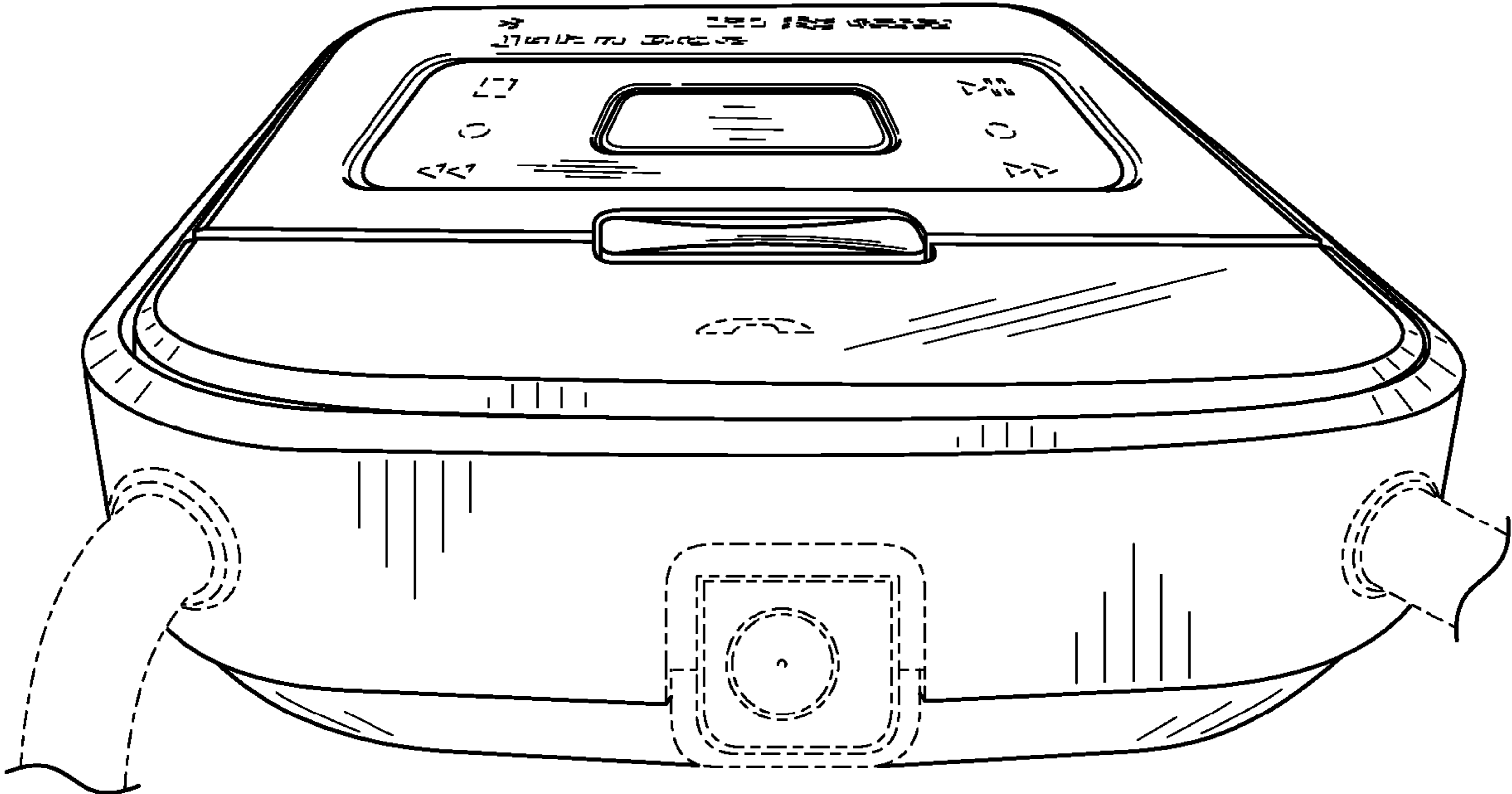


FIG. 4