



US00D618188S

(12) **United States Design Patent**
Tsai

(10) **Patent No.:** **US D618,188 S**

(45) **Date of Patent:** **** Jun. 22, 2010**

(54) **LIQUID CRYSTAL DISPLAY**

(75) Inventor: **Yao-Hsing Tsai**, Zhonghe (TW)

(73) Assignee: **Top Victory Investments Ltd.**, Harbour (HK)

(**) Term: **14 Years**

(21) Appl. No.: **29/344,609**

(22) Filed: **Oct. 1, 2009**

(51) **LOC (9) Cl.** **14-03**

(52) **U.S. Cl.** **D14/126**

(58) **Field of Classification Search** D14/125–134,
D14/239, 371, 136, 374–377, 440, 450, 448,
D14/336, 342; 312/7.2; 348/836, 838, 180,
348/184, 325, 739; 341/12; 248/917–924,
248/465; 345/104, 133, 156, 168, 87, 173;
720/605, 669, 600, 655; 369/99, 197; D21/329,
D21/515, 577, 622, 333, 433, 448, 452, 450,
D21/331; D6/477, 479, 300; 273/148 B;
446/484, 175, 356; D10/15, 26

See application file for complete search history.

(56) **References Cited**

U.S. PATENT DOCUMENTS

D500,991 S * 1/2005 Niitsu D14/126
D565,517 S * 4/2008 Chien et al. D14/126
D565,521 S * 4/2008 Yang et al. D14/126
D579,889 S * 11/2008 Noh D14/129

D585,856 S * 2/2009 Fujimoto D14/126
D593,974 S * 6/2009 Yang et al. D14/126
D607,854 S * 1/2010 Sagawa D14/126

* cited by examiner

Primary Examiner—Raphael Barkai

(74) *Attorney, Agent, or Firm*—Alan Kamrath; Kamrath & Associates PA

(57) **CLAIM**

The ornamental design for liquid crystal display, as shown and described.

DESCRIPTION

FIG. 1 is a perspective view of a liquid crystal display showing my new design;

FIG. 2 is a front side elevational view thereof;

FIG. 3 is a rear side elevational view thereof;

FIG. 4 is a left elevational view thereof;

FIG. 5 is a right elevational view thereof;

FIG. 6 is a top plan view thereof;

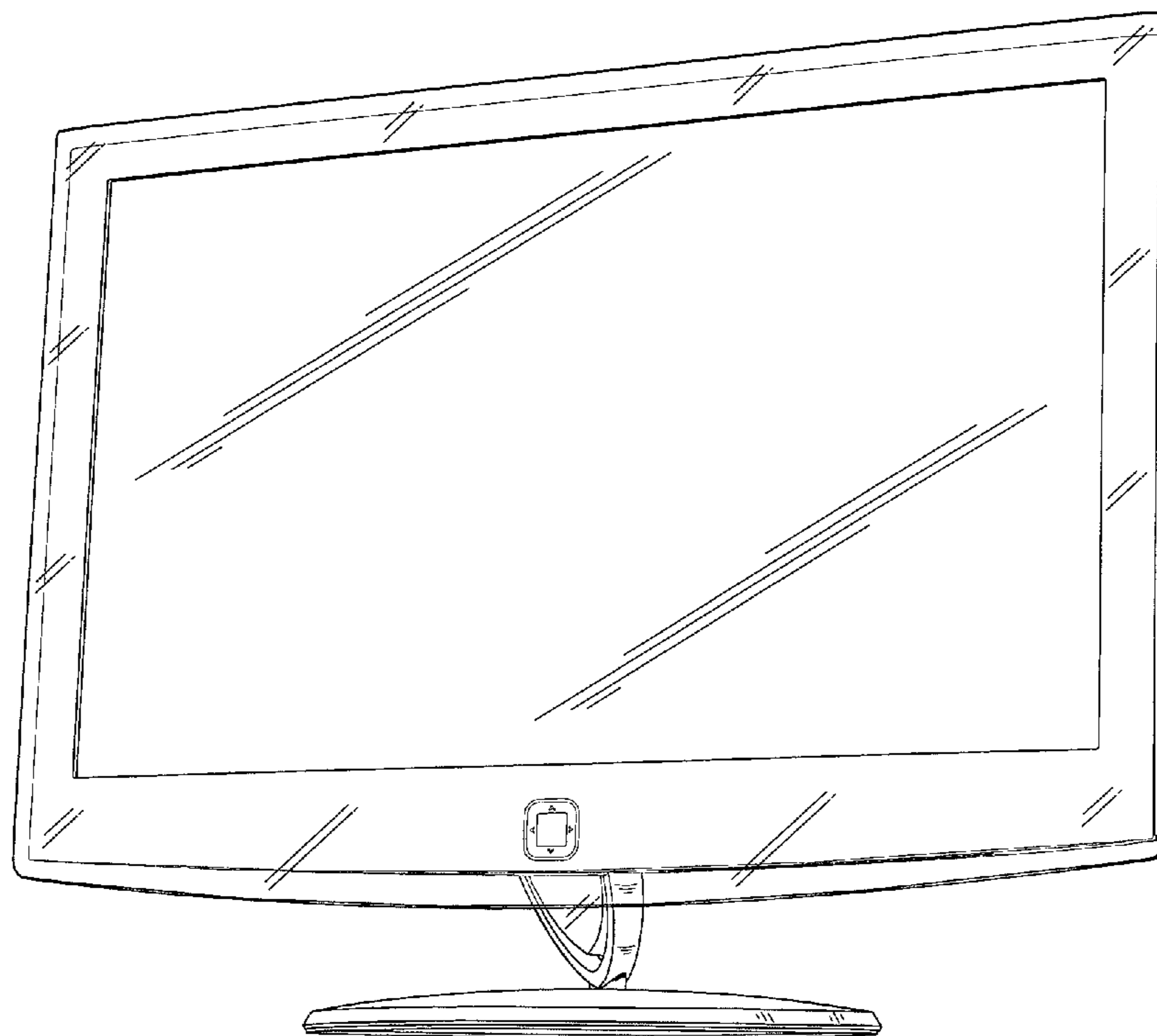
FIG. 7 is a bottom plan view thereof;

FIG. 8 is a second perspective view of a liquid crystal display showing my new design;

FIG. 9 is a A—A cross-sectional view thereof; and,

FIG. 10 is a third perspective view of a liquid crystal display showing my new design.

1 Claim, 10 Drawing Sheets



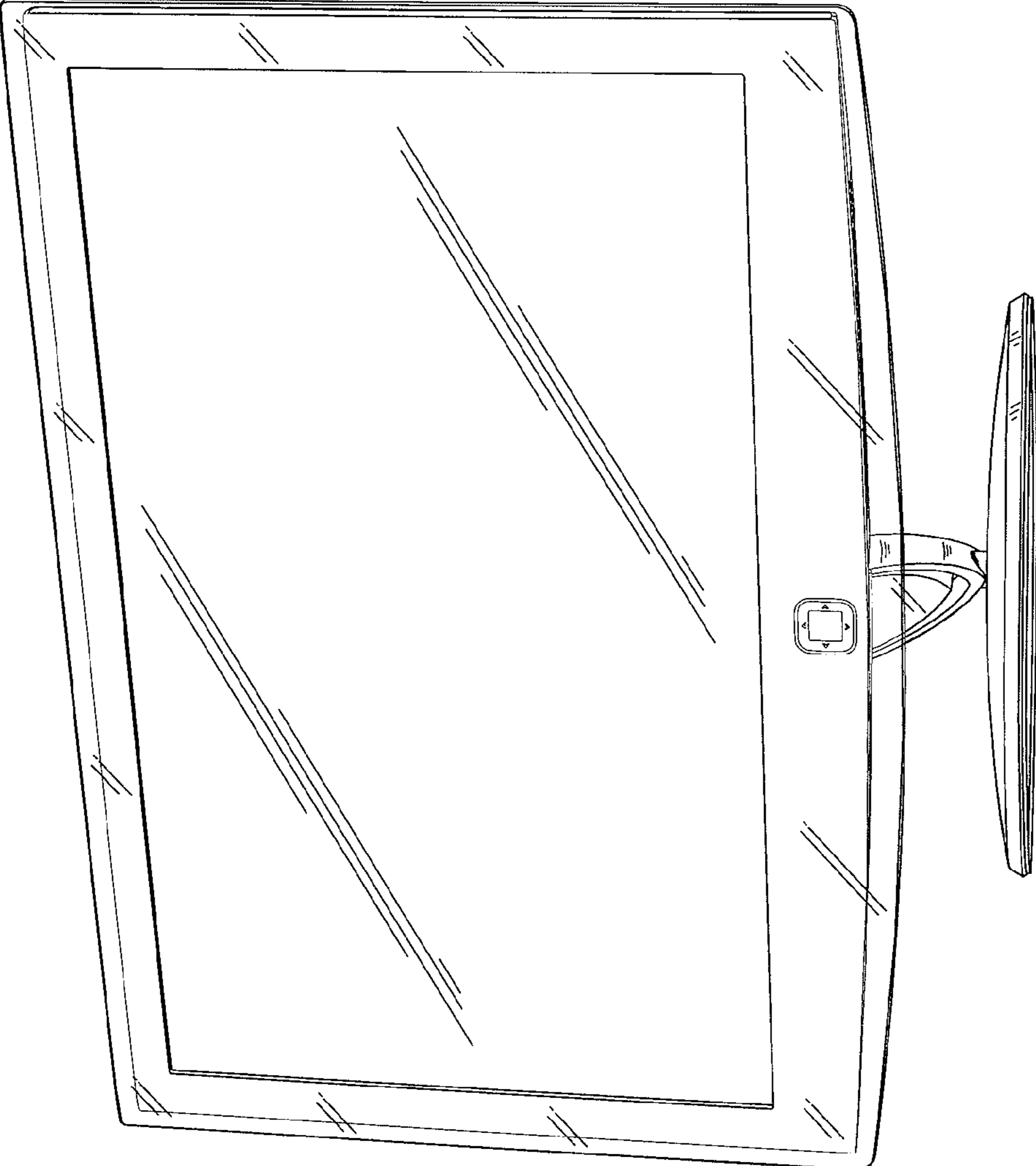


Fig. 1

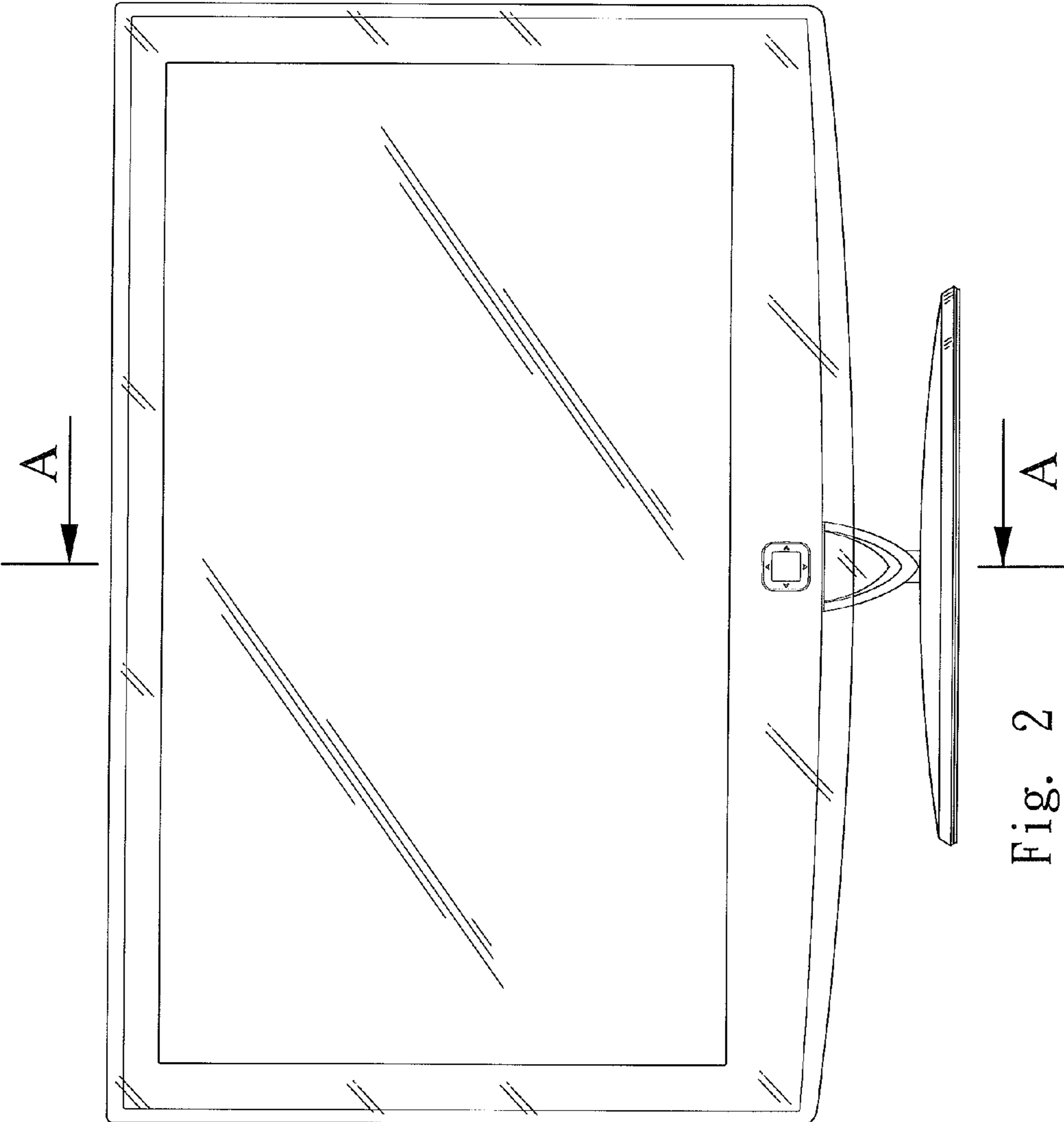


Fig. 2

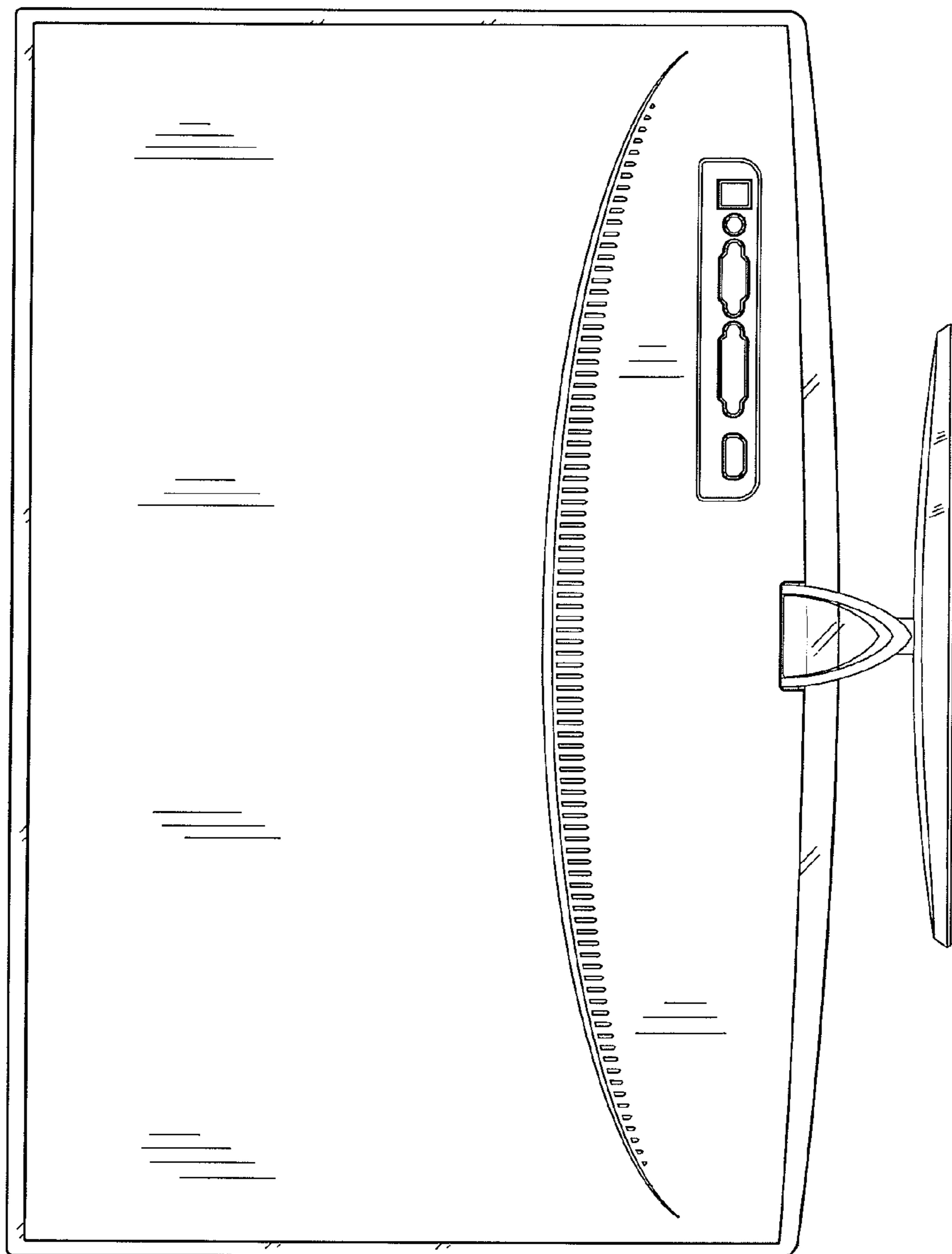


Fig. 3

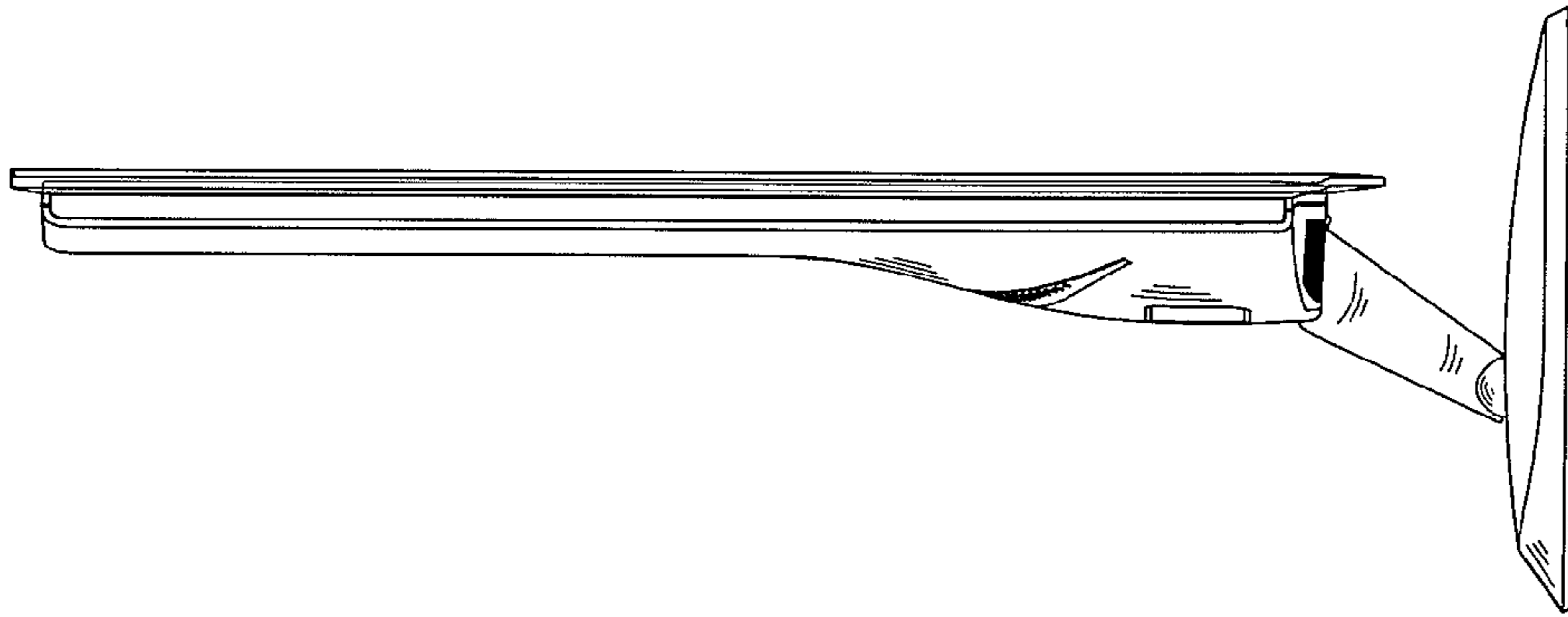


Fig. 4

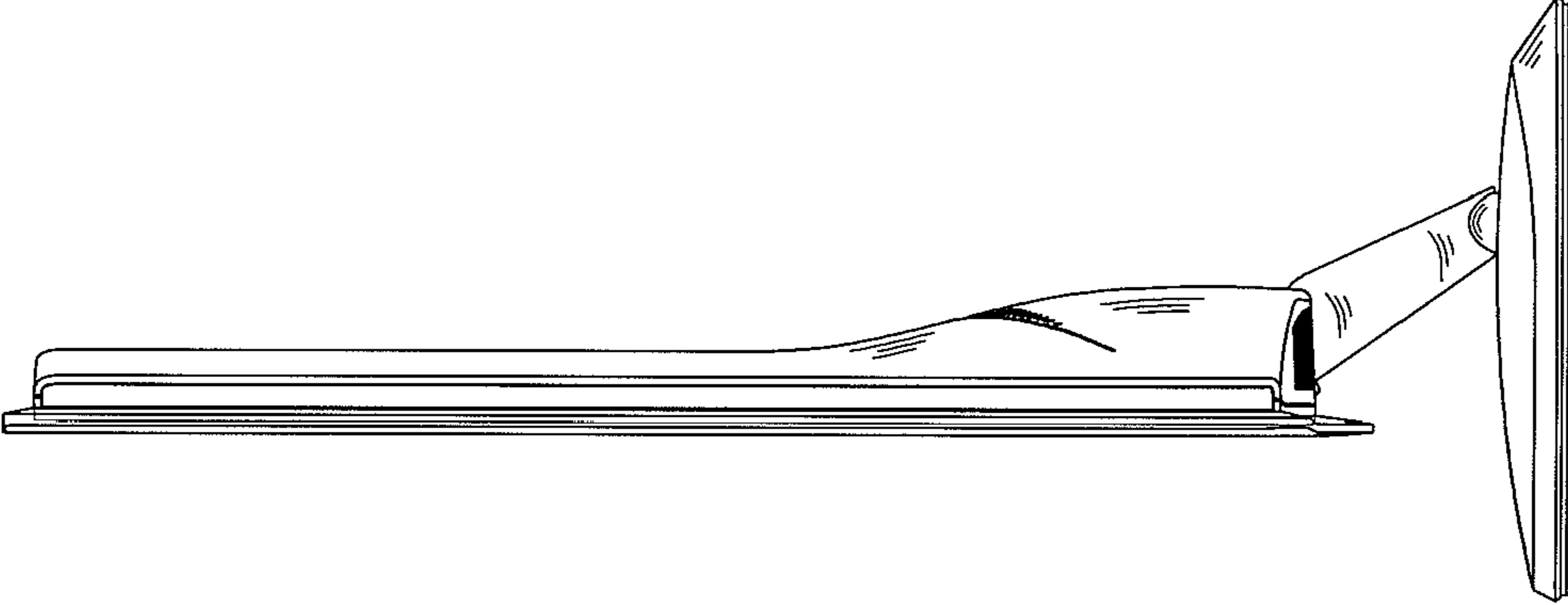


Fig. 5

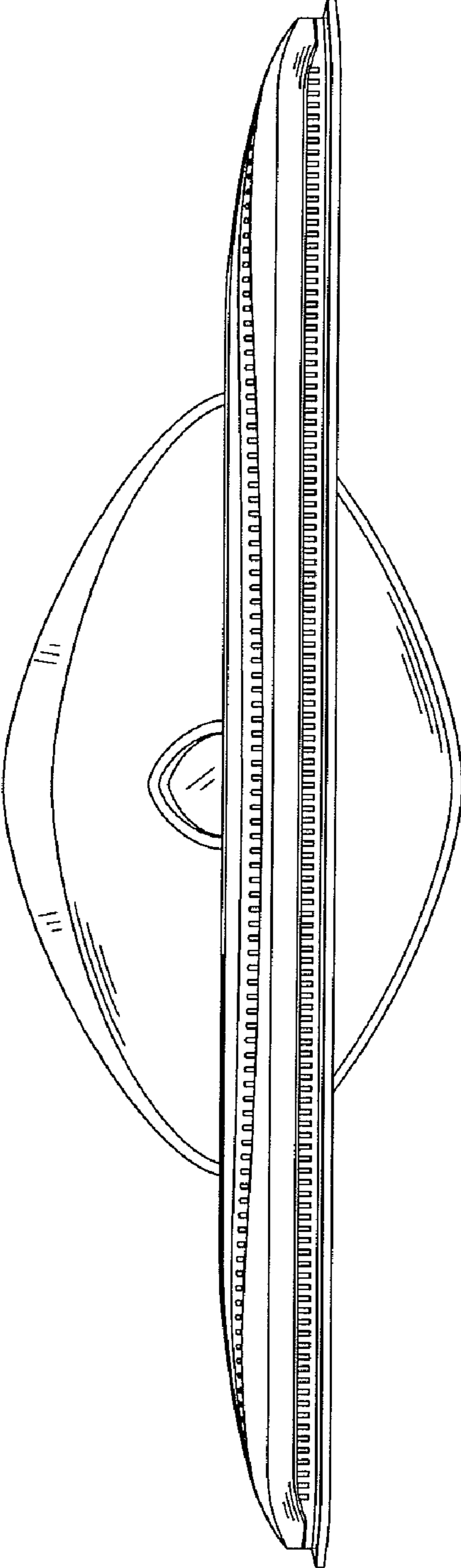


Fig. 6

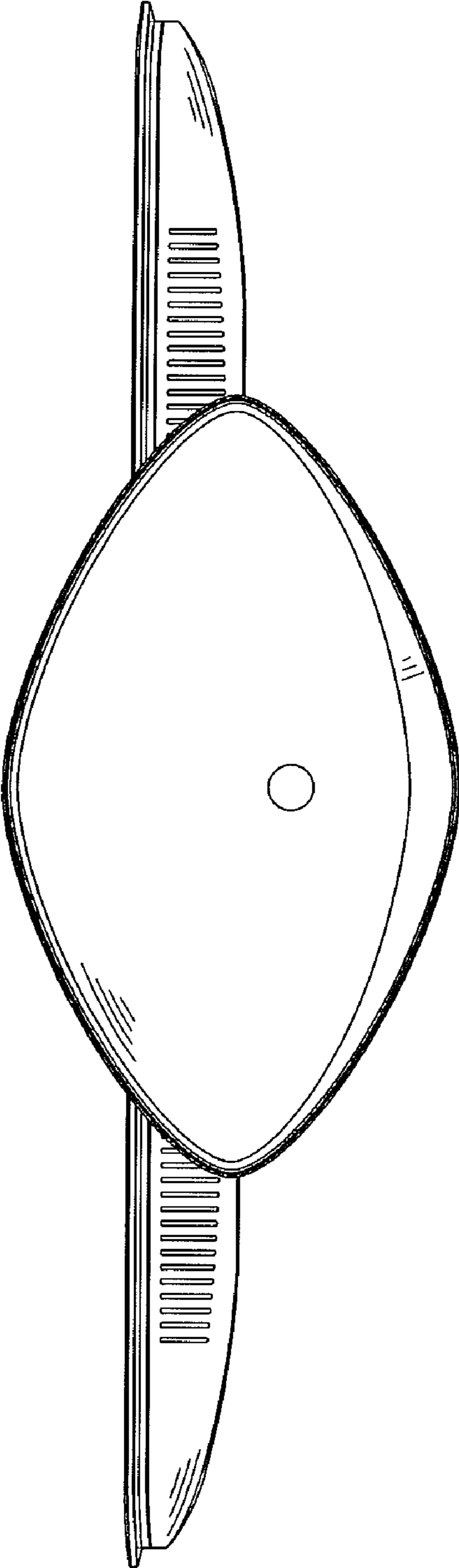


Fig. 7

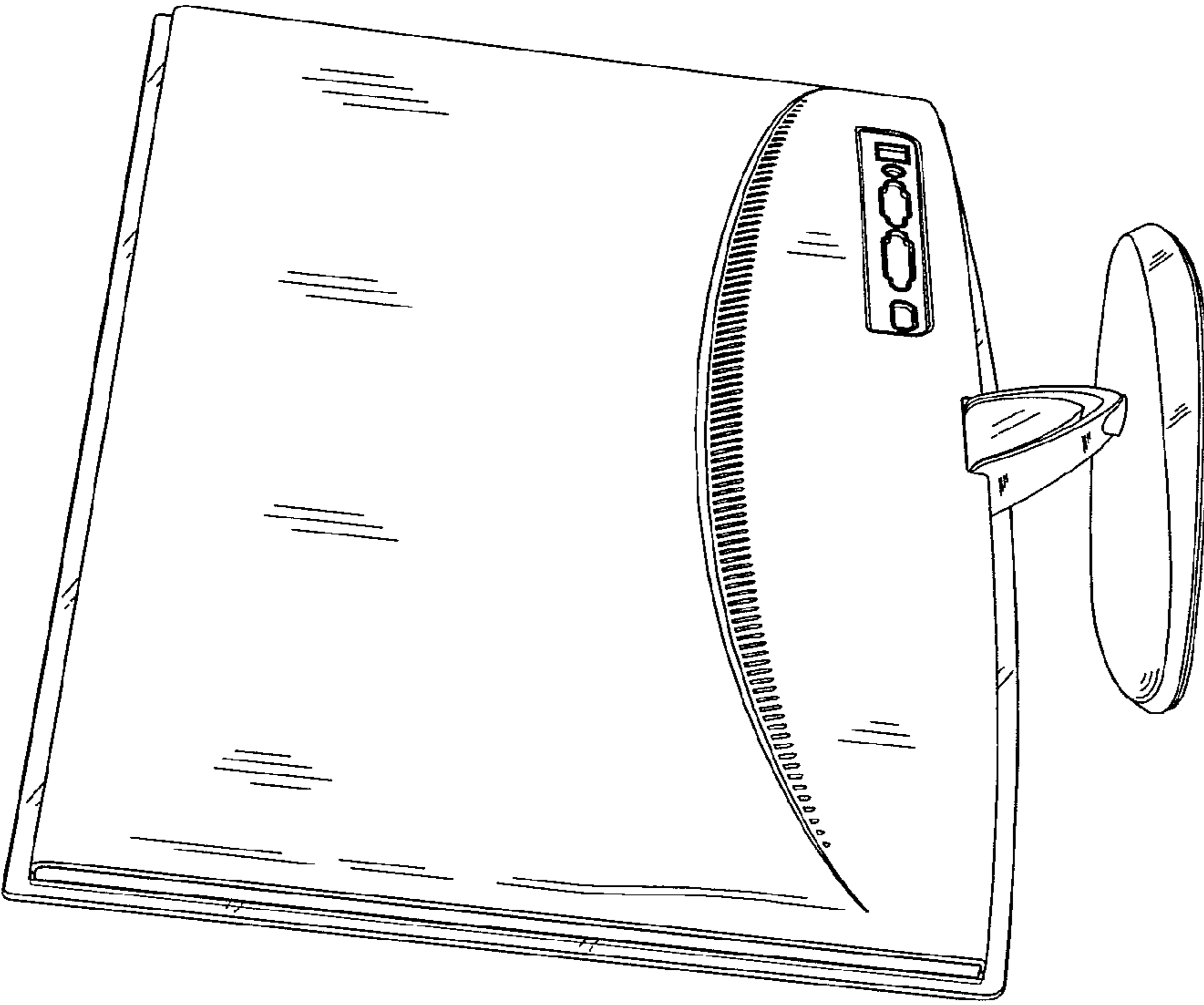


Fig. 8

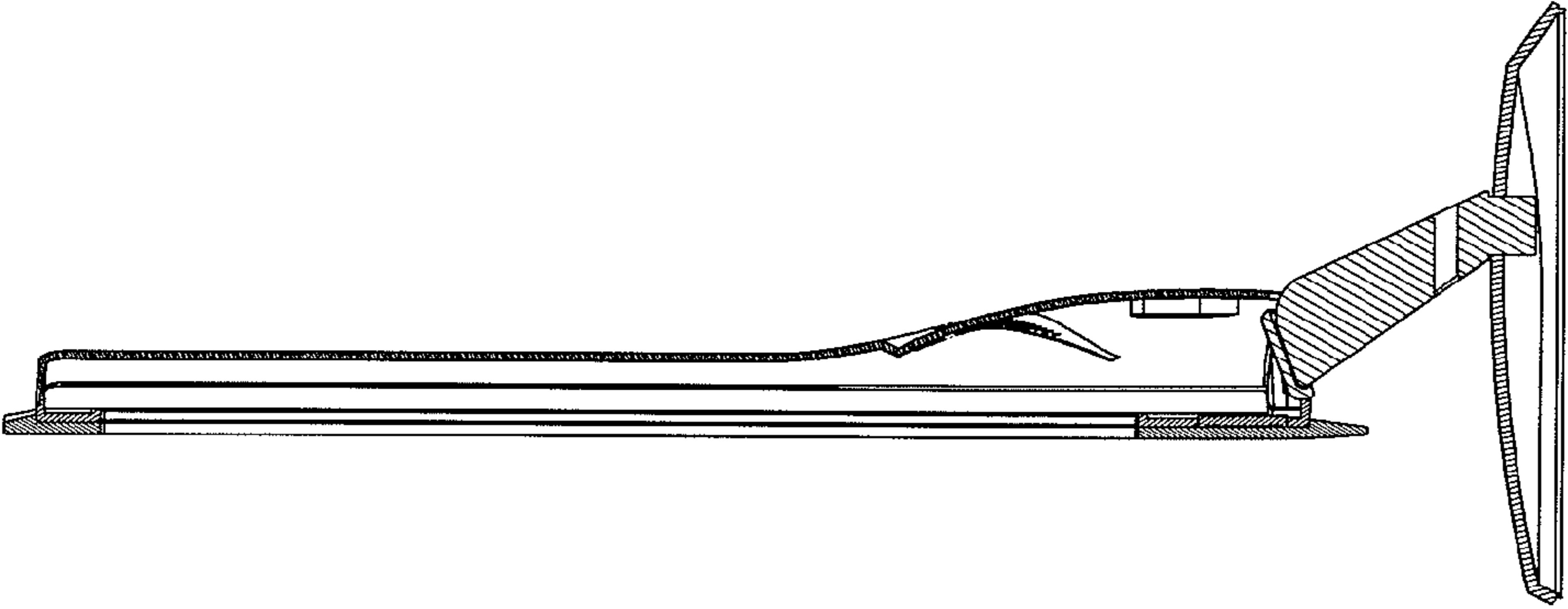


Fig. 9

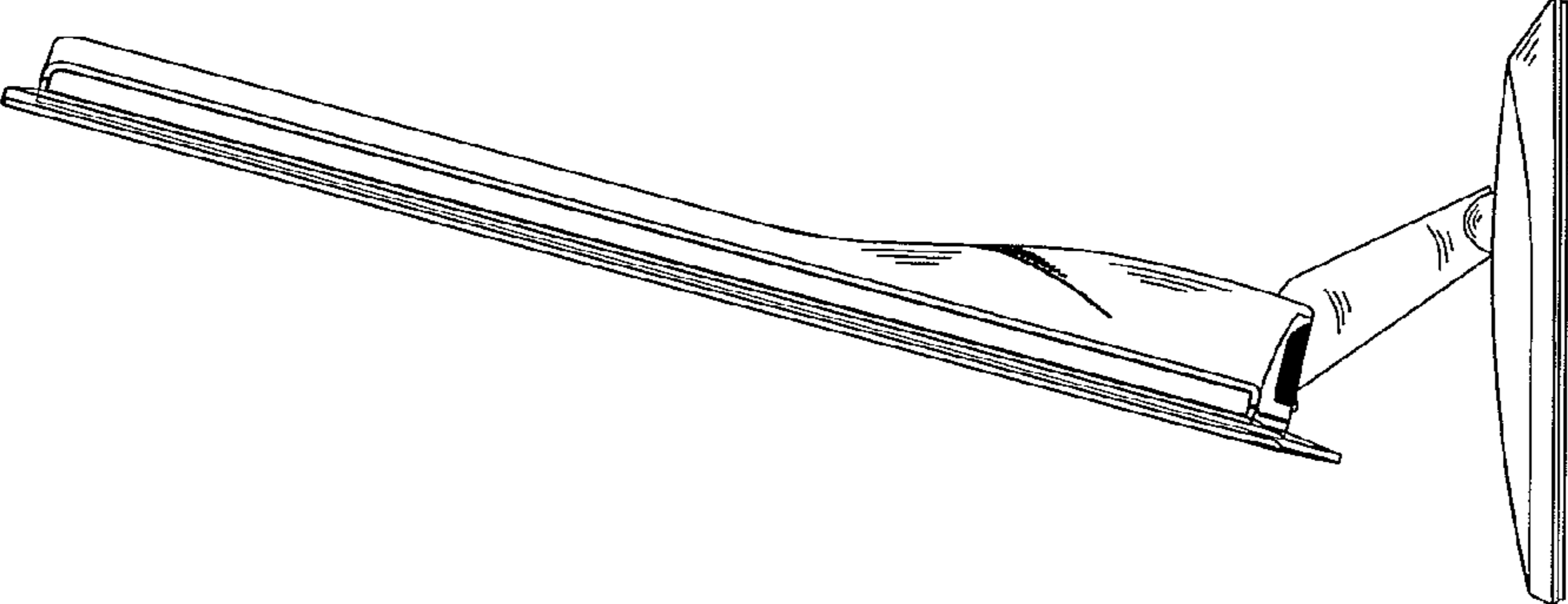


Fig. 10