



US00D618186S

(12) **United States Design Patent**
Solow

(10) **Patent No.:** **US D618,186 S**
(45) **Date of Patent:** **** Jun. 22, 2010**

(54) **SELECTOR HOUSING**

- (75) Inventor: **Stanley Solow**, Plainview, NY (US)
- (73) Assignee: **Wolo Mfg. Corp.**, Deer Park, NY (US)
- (**) Term: **14 Years**
- (21) Appl. No.: **29/352,445**
- (22) Filed: **Dec. 21, 2009**

Primary Examiner—Daniel D Bui
Assistant Examiner—Thomas J Johannes
 (74) *Attorney, Agent, or Firm*—Lackenbach Siegel, LLP;
 Andrew F. Young

(57) **CLAIM**

The ornamental design for a selector housing, as shown and described.

- (51) **LOC (9) Cl.** **13-03**
- (52) **U.S. Cl.** **D13/184; D13/162**
- (58) **Field of Classification Search** D13/158,
 D13/162, 163, 164, 177, 184, 199; D9/430-433,
 D9/414-418; 229/105, 106, 108, 108.1,
 229/100, 112, 113, 115, 116, 110, 162.1,
 229/922, 938, 182.1; 206/551, 746, 457,
 206/784, 822

DESCRIPTION

See application file for complete search history.

This application relates to and claims priority from U.S. Ser. No. 12/633,222 filed Dec. 8, 2009, the entire contents of which are incorporated herein by reference.

FIG. 1 is a front perspective view of a second embodiment of a selector housing showing my new design.

FIG. 2 is a front plan view of FIG. 1.

FIG. 3 is a bottom elevation view of FIG. 1.

FIG. 4 is a rear plan view of FIG. 1, without the illustrated support stand.

FIG. 5 is a top elevation view of FIG. 1.

FIG. 6 is a left side elevation view of FIG. 1; and,

FIG. 7 is right side elevation view of FIG. 1.

The broken line portion of the figure drawings is included to show unclaimed subject matter only, including the stand portion, section joining line, keypad area and other housing portions and, itself, forms no part of the claimed design.

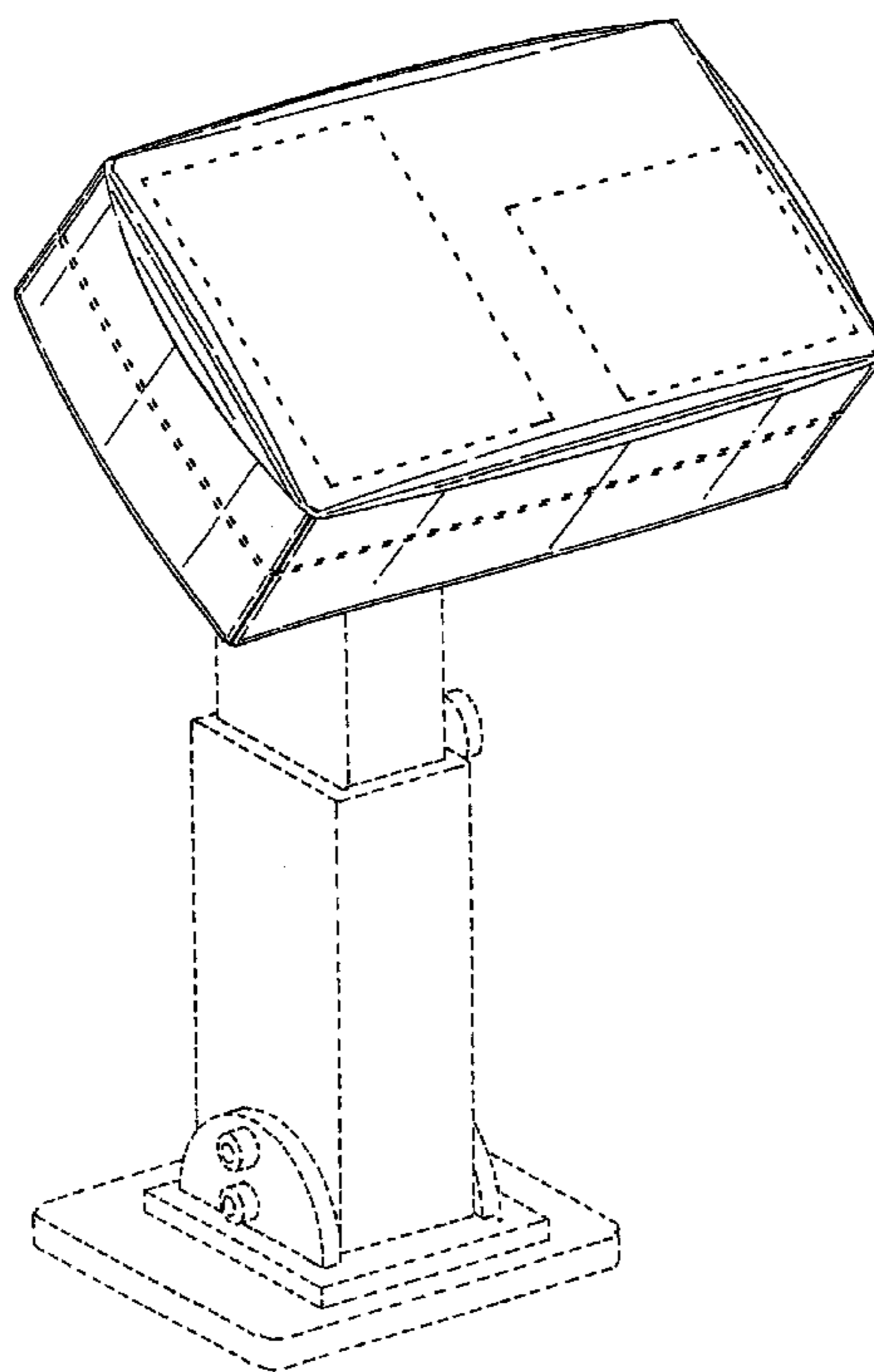
(56) **References Cited**

U.S. PATENT DOCUMENTS

D194,246 S *	12/1962	Englemann	D9/420
D247,174 S *	2/1978	Janda	D14/150
D323,809 S *	2/1992	Ross, Jr.	D13/103
D389,762 S *	1/1998	Yorkey	D10/104
D394,656 S *	5/1998	Kato et al.	D14/159
D412,398 S *	8/1999	Watabe	D3/294
D467,230 S *	12/2002	Byrne	D13/156
D491,551 S *	6/2004	Matsui et al.	D14/159
D519,832 S *	5/2006	Demathieu et al.	D9/430
D521,376 S *	5/2006	Mosto	D9/430

* cited by examiner

1 Claim, 4 Drawing Sheets



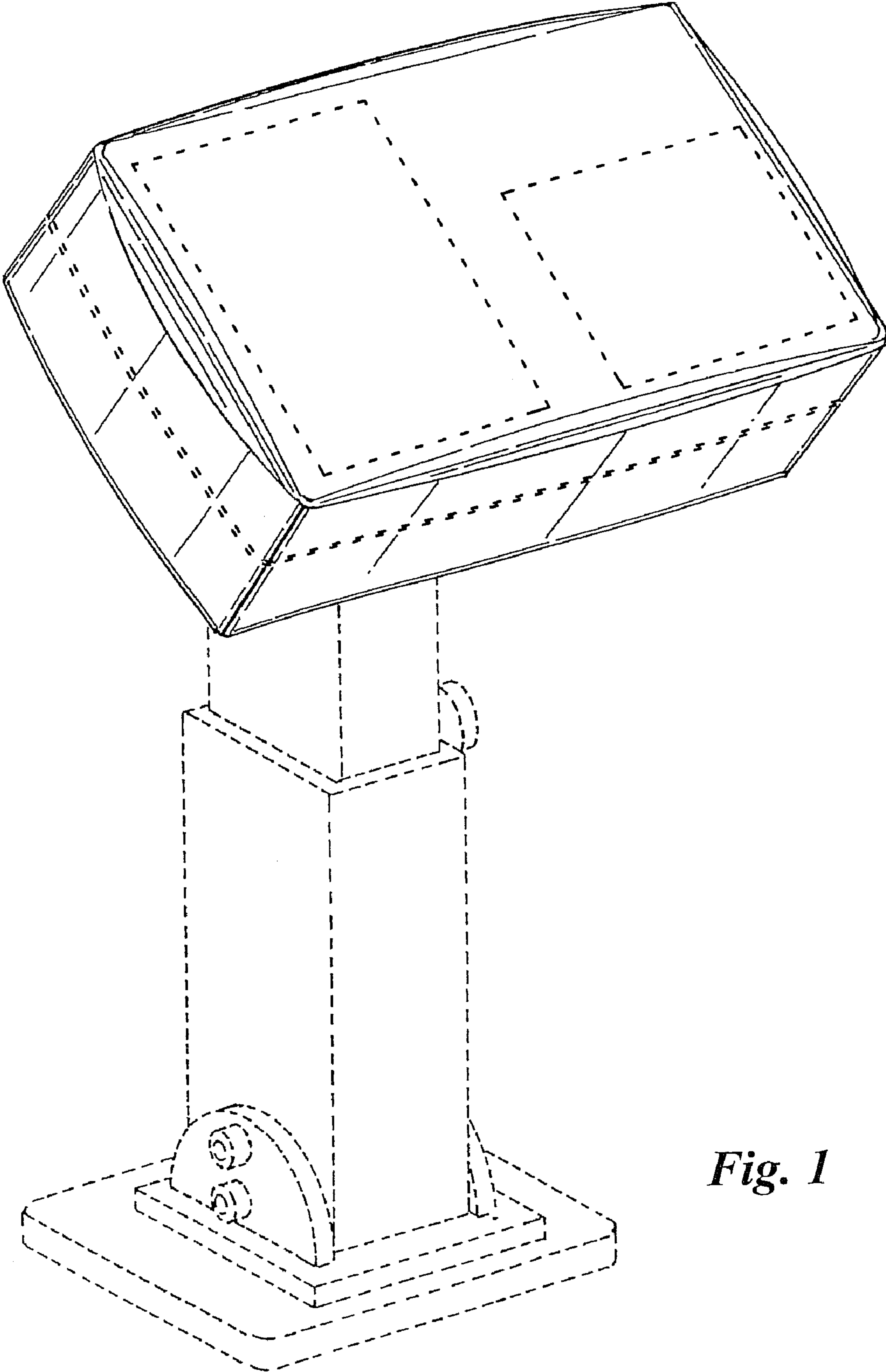


Fig. 1

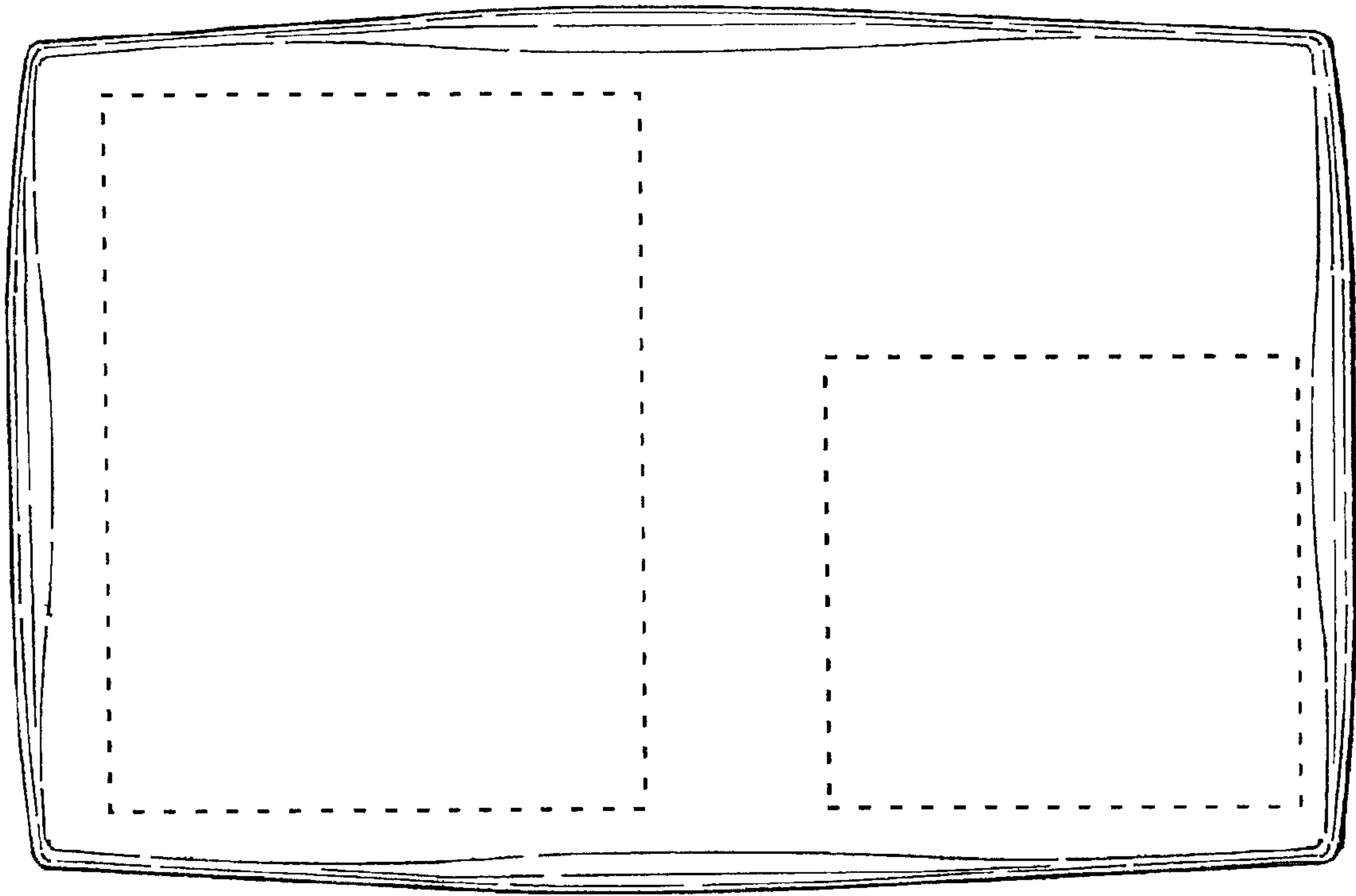


Fig. 2

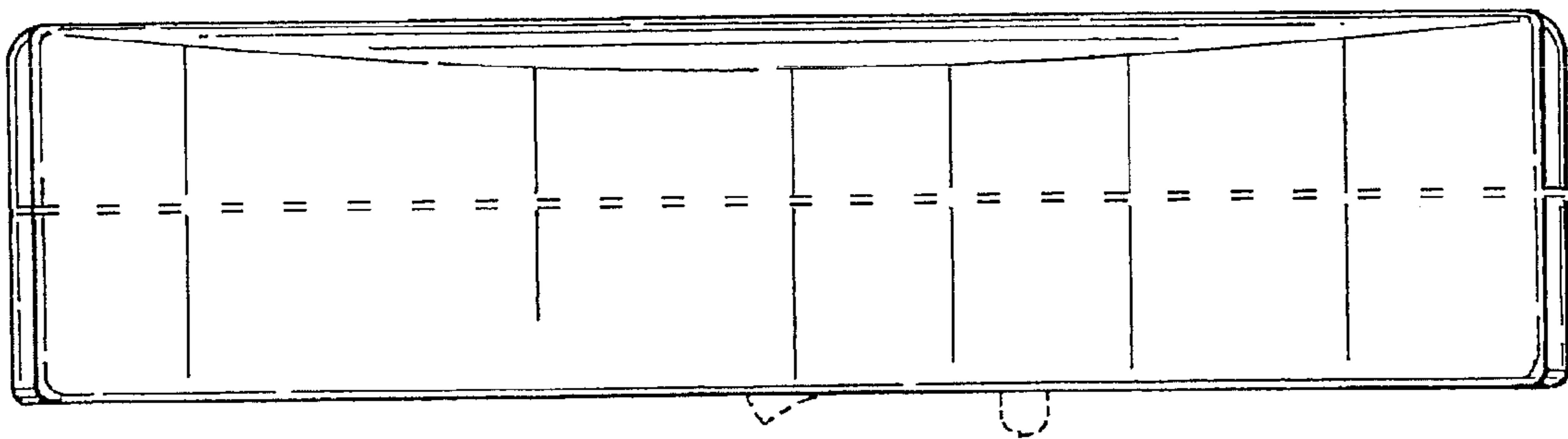


Fig. 3

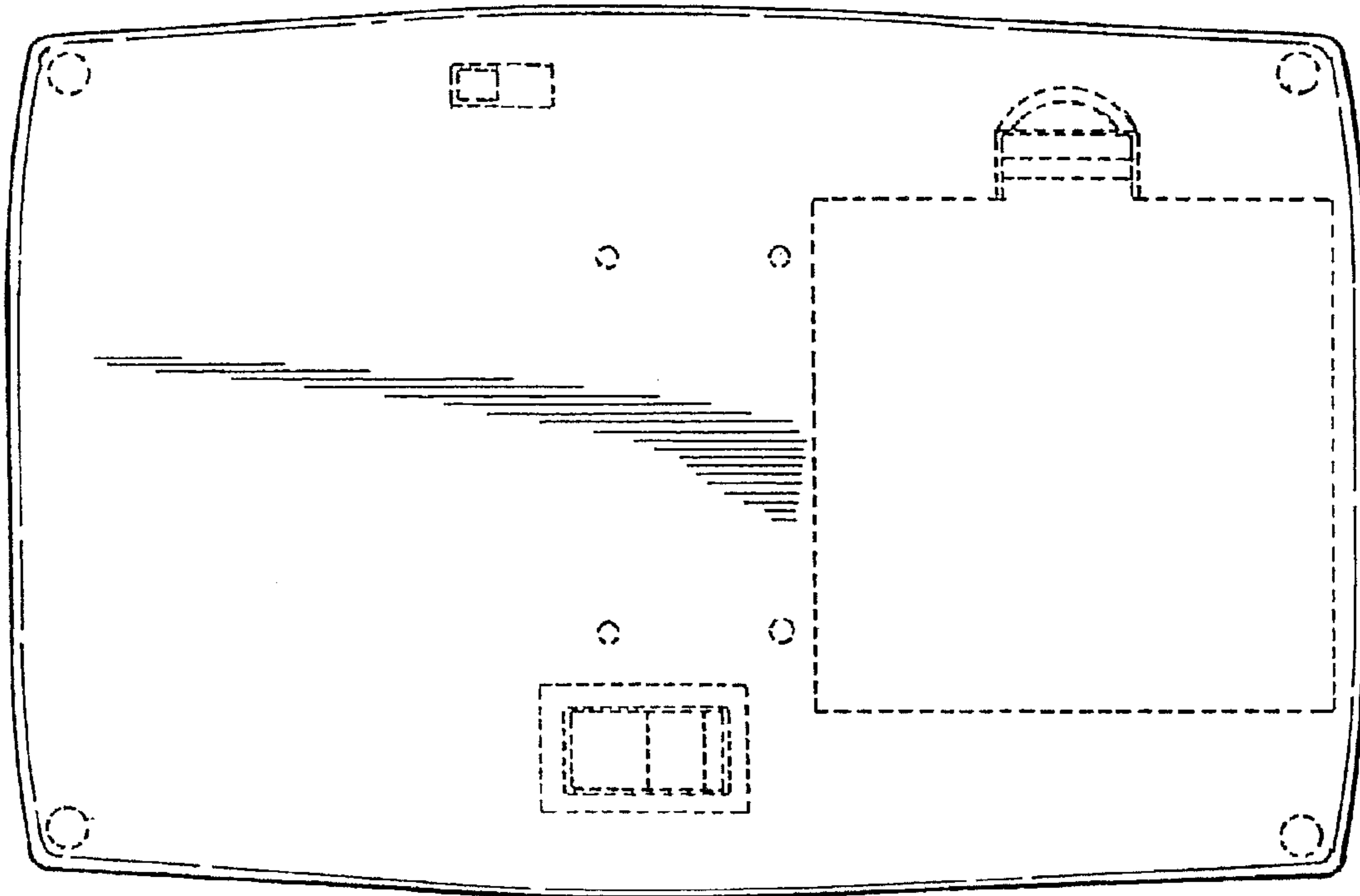


Fig. 4

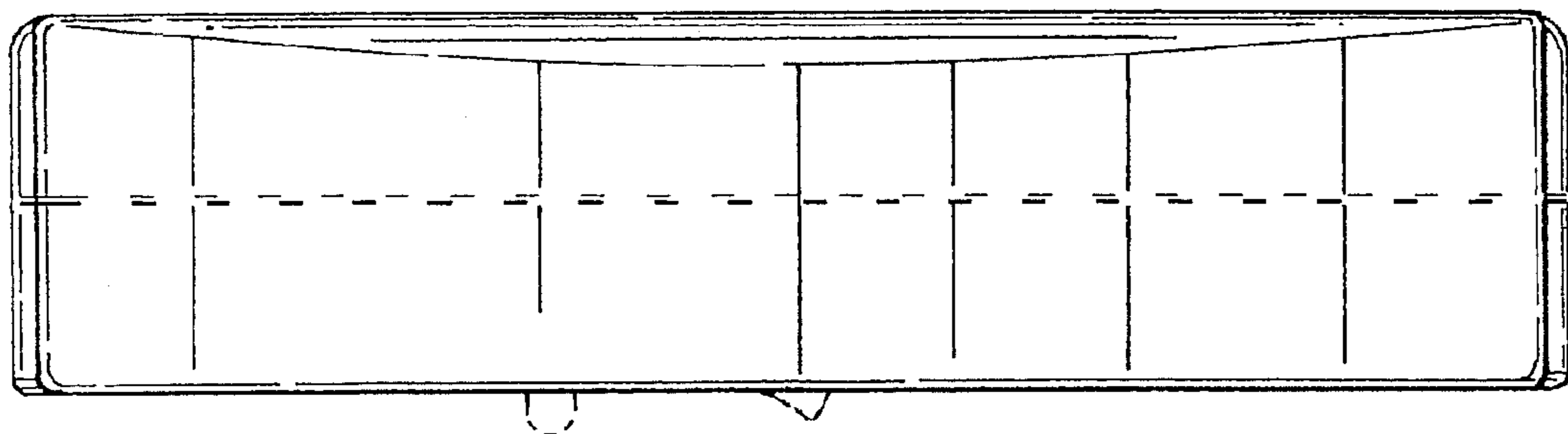


Fig. 5

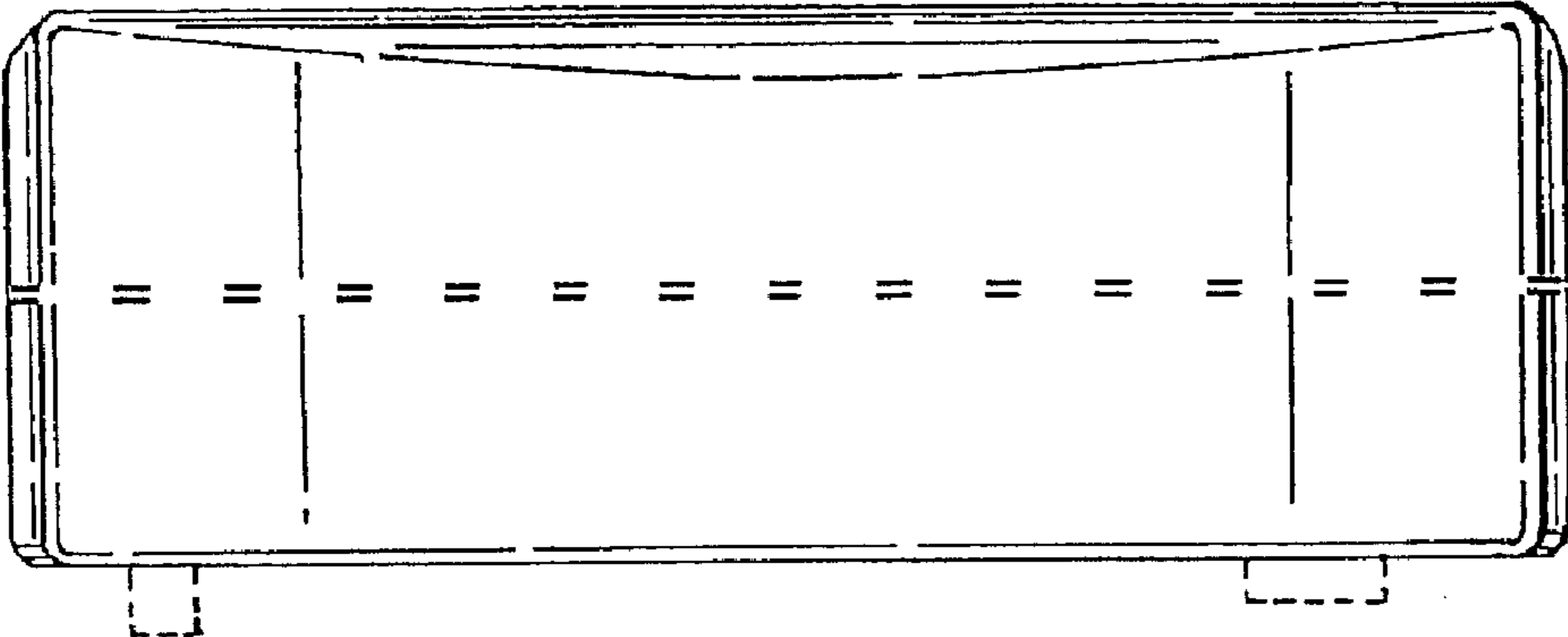


Fig. 6

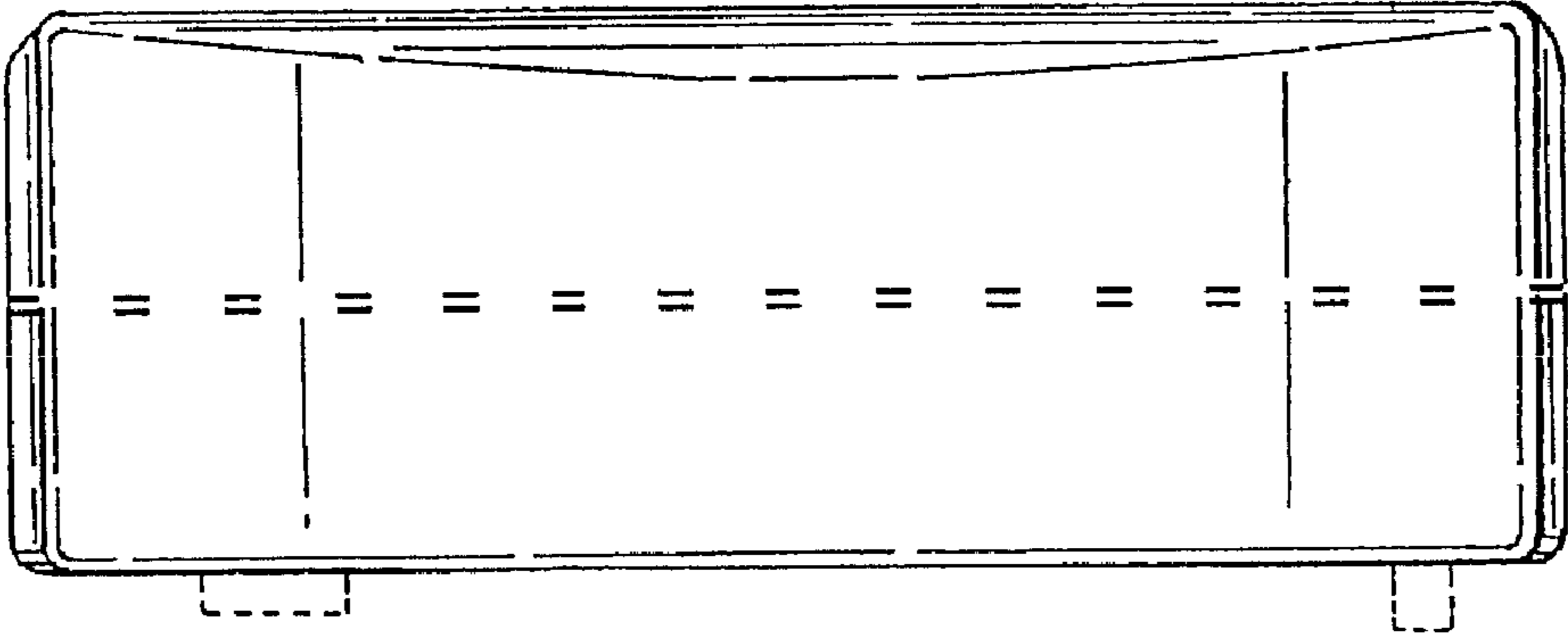


Fig. 7