



US00D618184S

(12) **United States Design Patent**  
**Chang et al.**

(10) **Patent No.:** **US D618,184 S**  
(45) **Date of Patent:** **\*\* Jun. 22, 2010**

(54) **HEAT DISSIPATION DEVICE**

(75) Inventors: **Hsueh-Chen Chang**, Miao-Li Hsien (TW); **Yu-Shu Chen**, Miao-Li Hsien (TW); **Shan-Ju Lin**, Miao-Li Hsien (TW)

(73) Assignee: **Foxsemicon Integrated Technology, Inc.**, Chu-Nan, Miao-Li Hsien (TW)

(\*\*) Term: **14 Years**

(21) Appl. No.: **29/344,383**

(22) Filed: **Sep. 29, 2009**

(30) **Foreign Application Priority Data**

Jun. 19, 2009 (CN) ..... 2009 3 0306611

(51) **LOC (9) Cl.** ..... **13-03**

(52) **U.S. Cl.** ..... **D13/179**

(58) **Field of Classification Search** ..... D13/179;  
165/80.3, 104.33, 151, 122, 185; 257/706,  
257/707, 718-722; 361/687, 695, 697, 700,  
361/702, 704, 709, 710, 711, 719

See application file for complete search history.

(56) **References Cited**

**U.S. PATENT DOCUMENTS**

D285,301 S \* 8/1986 Johnson ..... D13/179

5,574,626 A \* 11/1996 Smith ..... 361/204  
D402,025 S \* 12/1998 Dodson ..... D23/370  
6,295,202 B1 \* 9/2001 Tucker et al. .... 361/704  
6,343,014 B1 \* 1/2002 Lin ..... 361/697  
2003/0183373 A1 \* 10/2003 Sarraf et al. .... 165/104.33  
2004/0104021 A1 \* 6/2004 Kujirai ..... 165/185  
2007/0272400 A1 \* 11/2007 Abul-Haj et al. .... 165/185  
2009/0139690 A1 \* 6/2009 Maerz et al. .... 165/80.2

\* cited by examiner

*Primary Examiner*—Selina Sikder

(74) *Attorney, Agent, or Firm*—Raymond J. Chew

(57) **CLAIM**

The ornamental design for a heat dissipation device, as shown.

**DESCRIPTION**

FIG. 1 is a perspective view of a heat dissipation device showing our new design.

FIG. 2 is a front elevational view thereof.

FIG. 3 is a rear elevational view thereof.

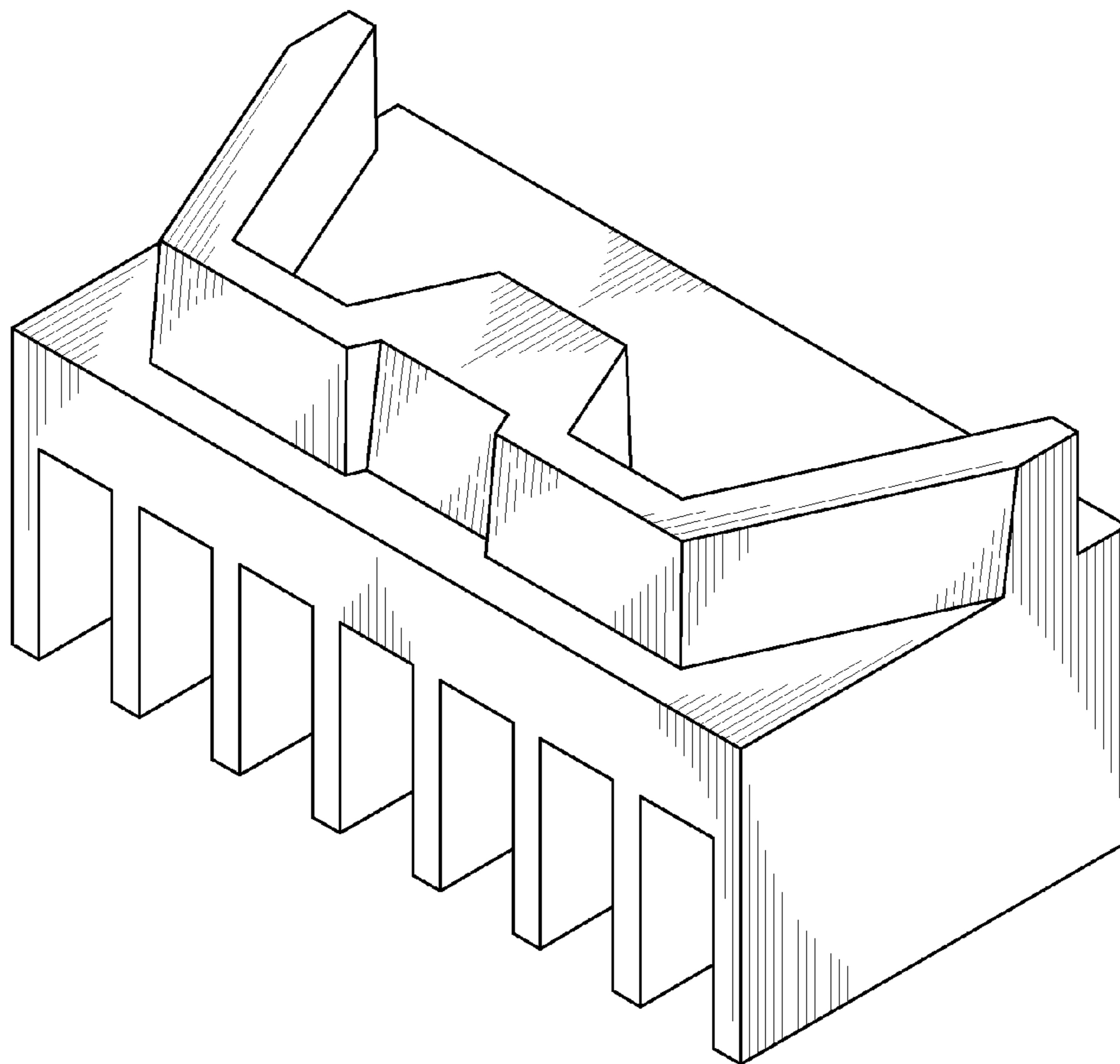
FIG. 4 is a left-side, elevational view thereof.

FIG. 5 is a right-side, elevational view thereof.

FIG. 6 is a top plan view thereof; and,

FIG. 7 is a bottom plan view thereof.

**1 Claim, 7 Drawing Sheets**



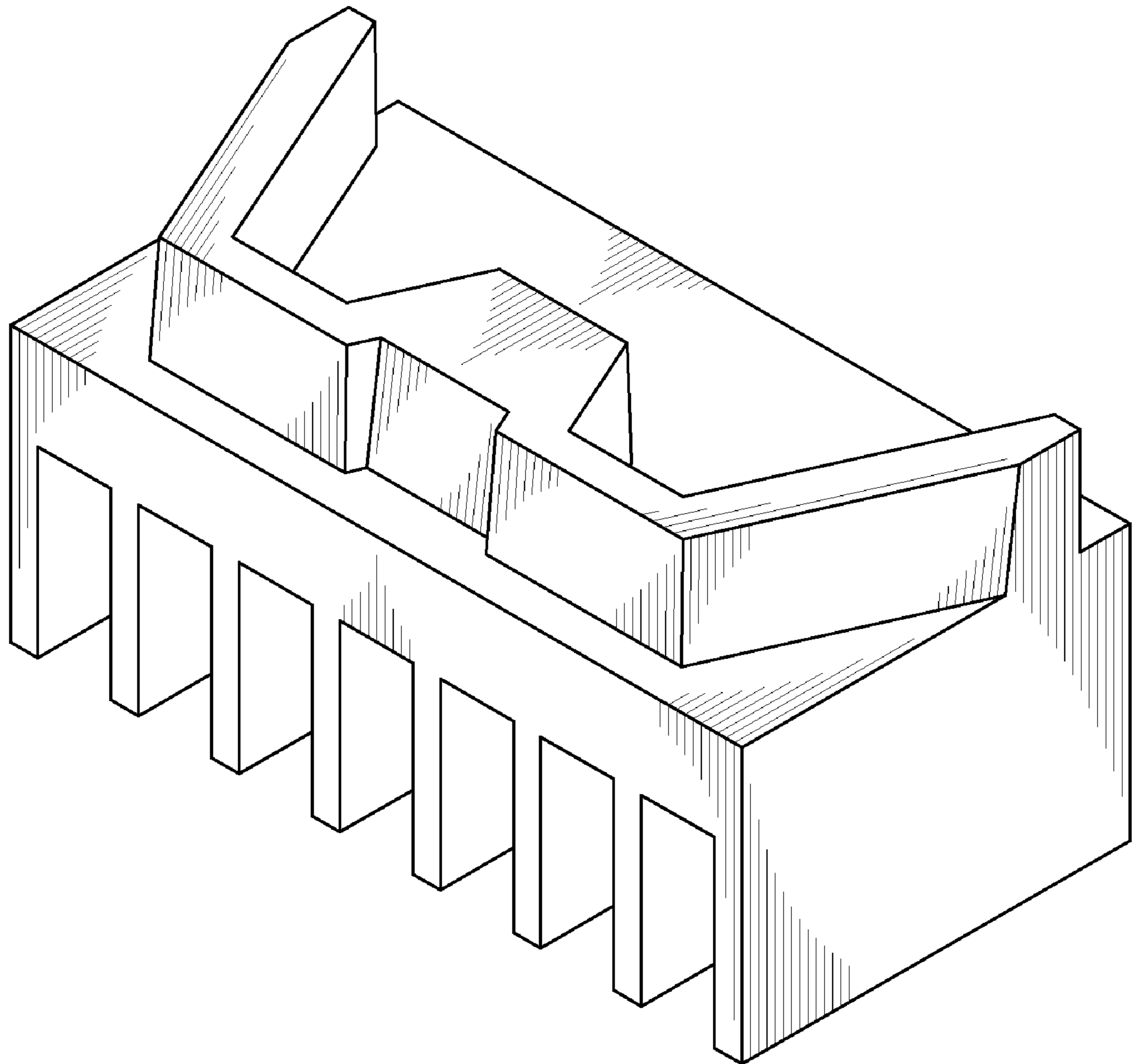


FIG. 1

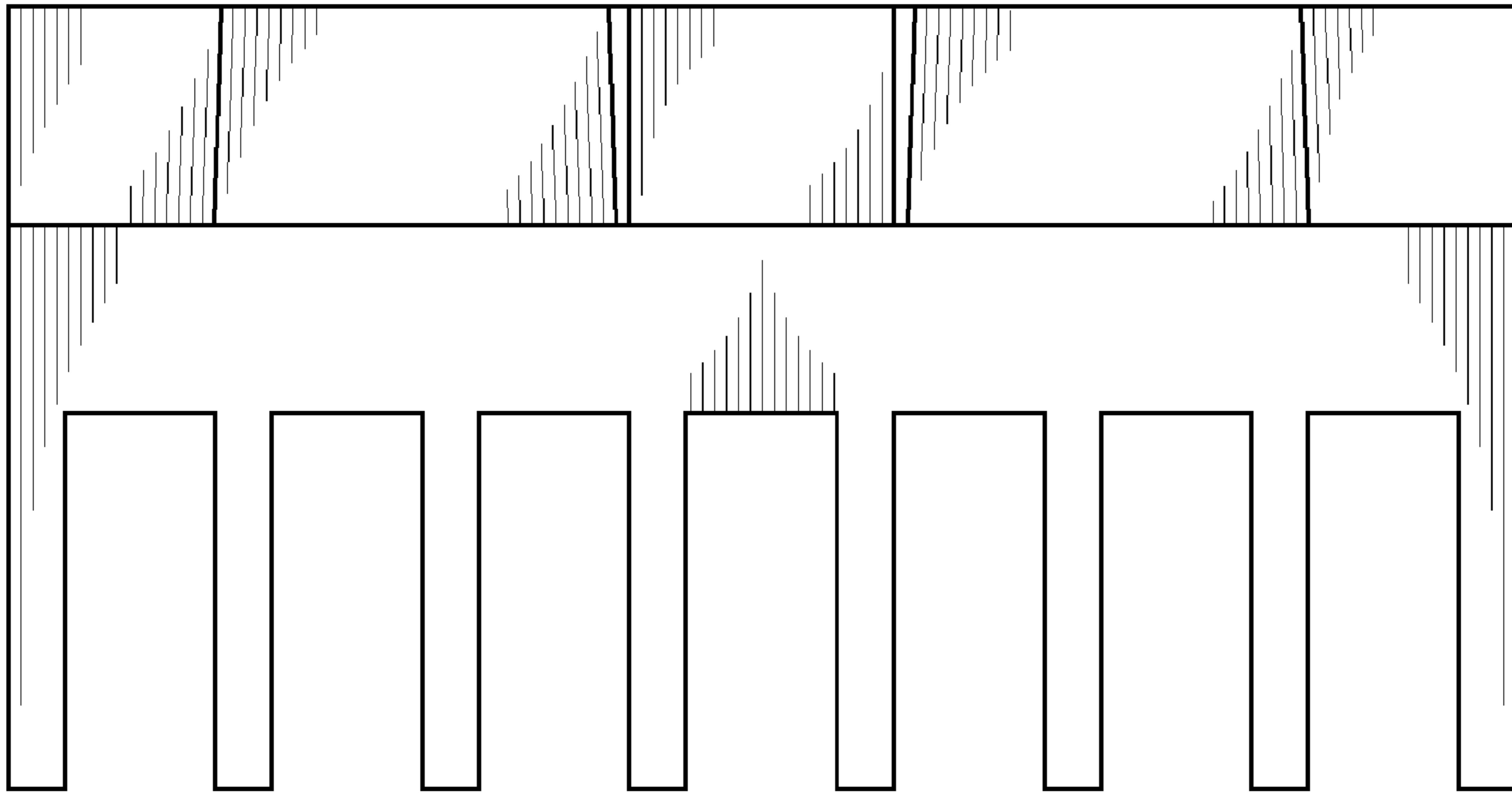


FIG. 2

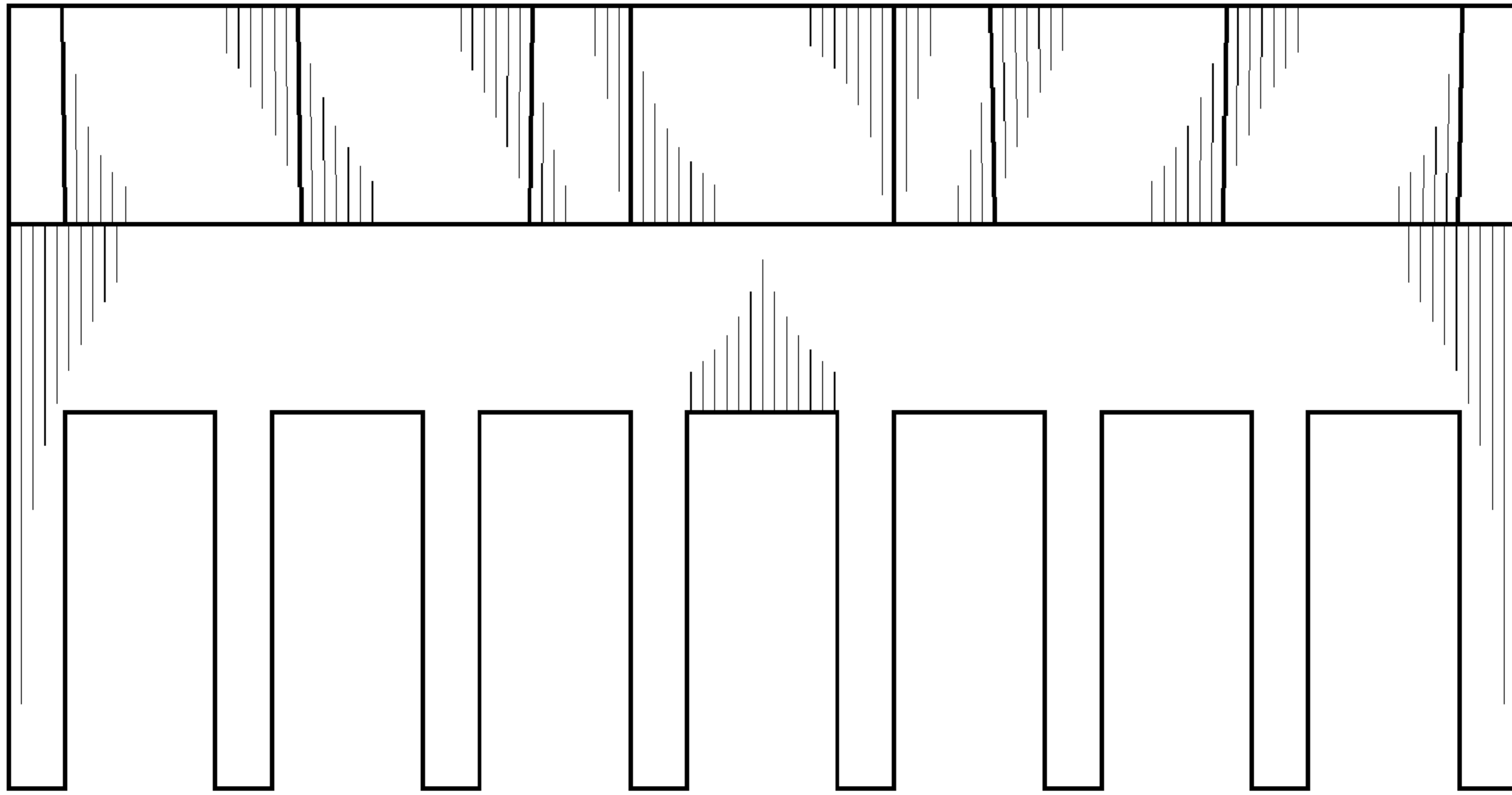


FIG. 3

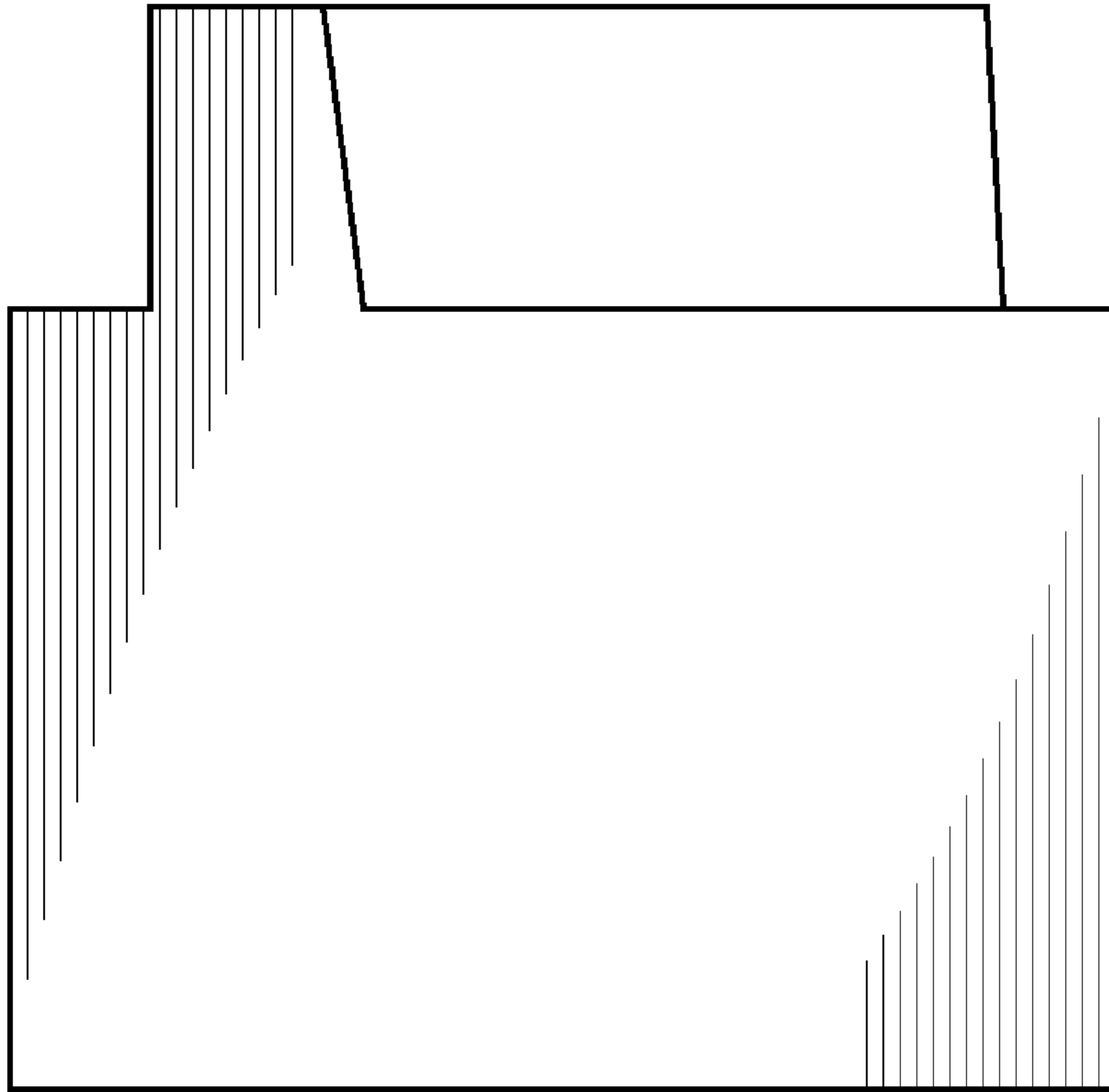


FIG. 4

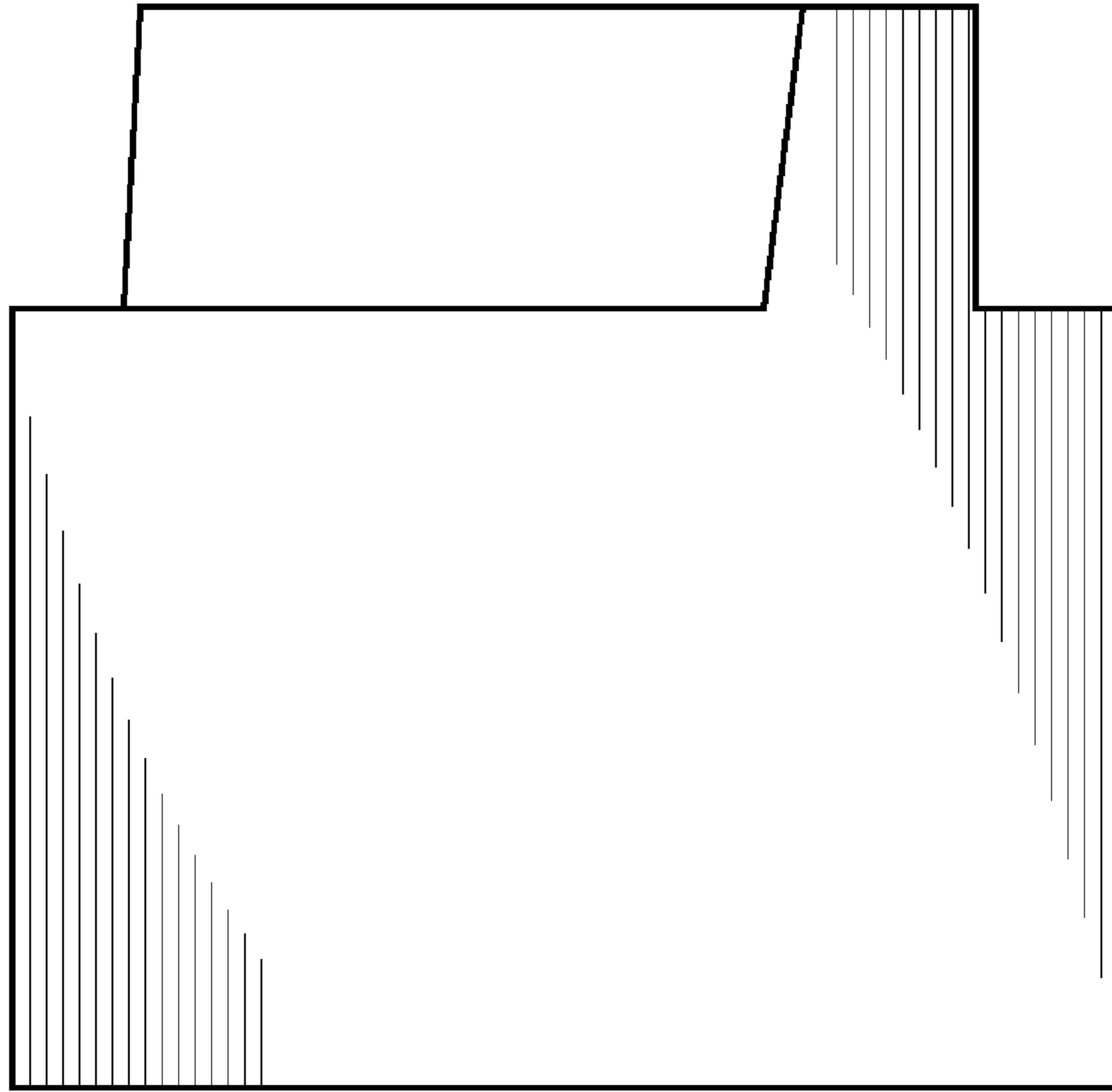


FIG. 5

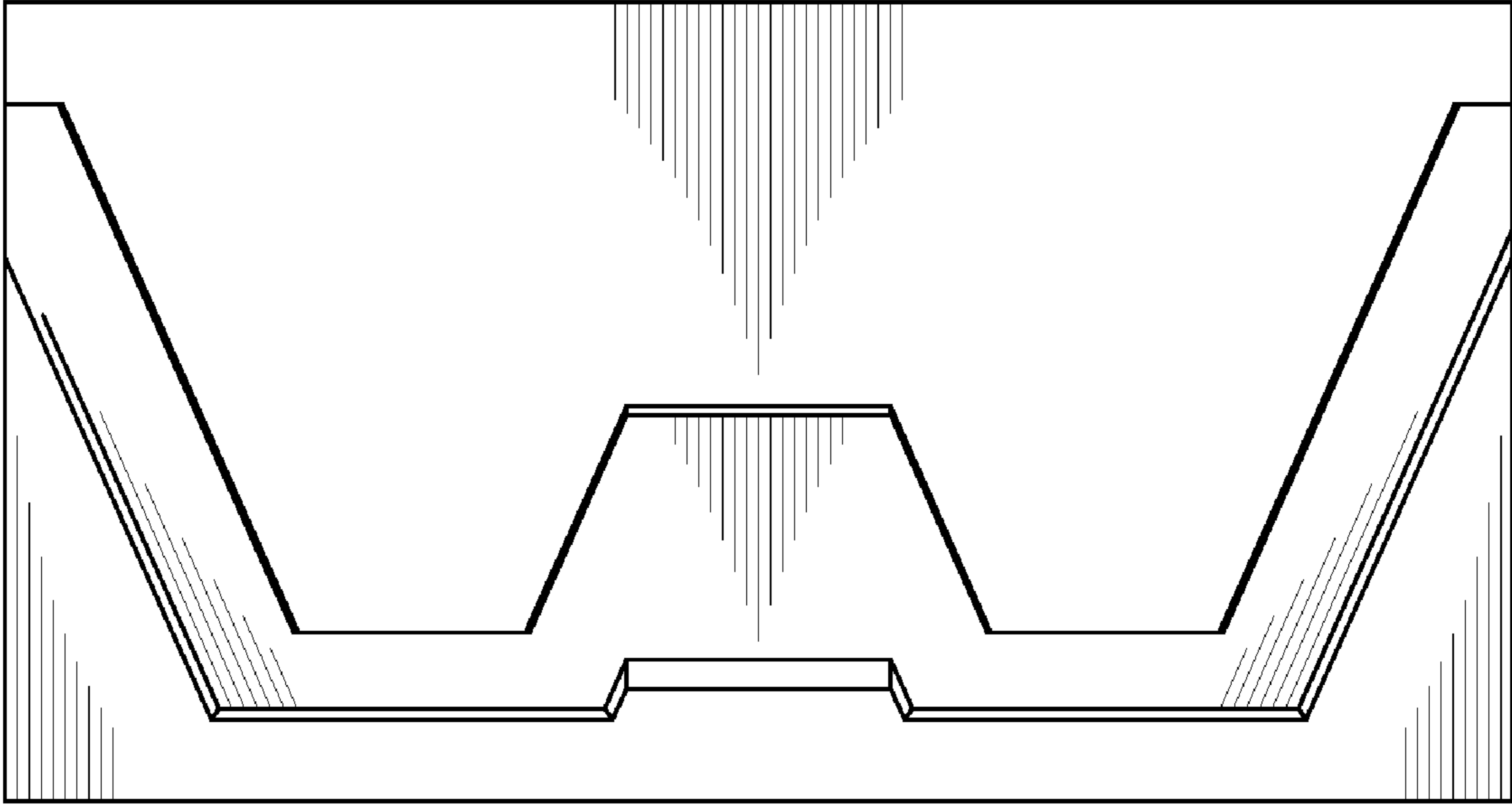


FIG. 6

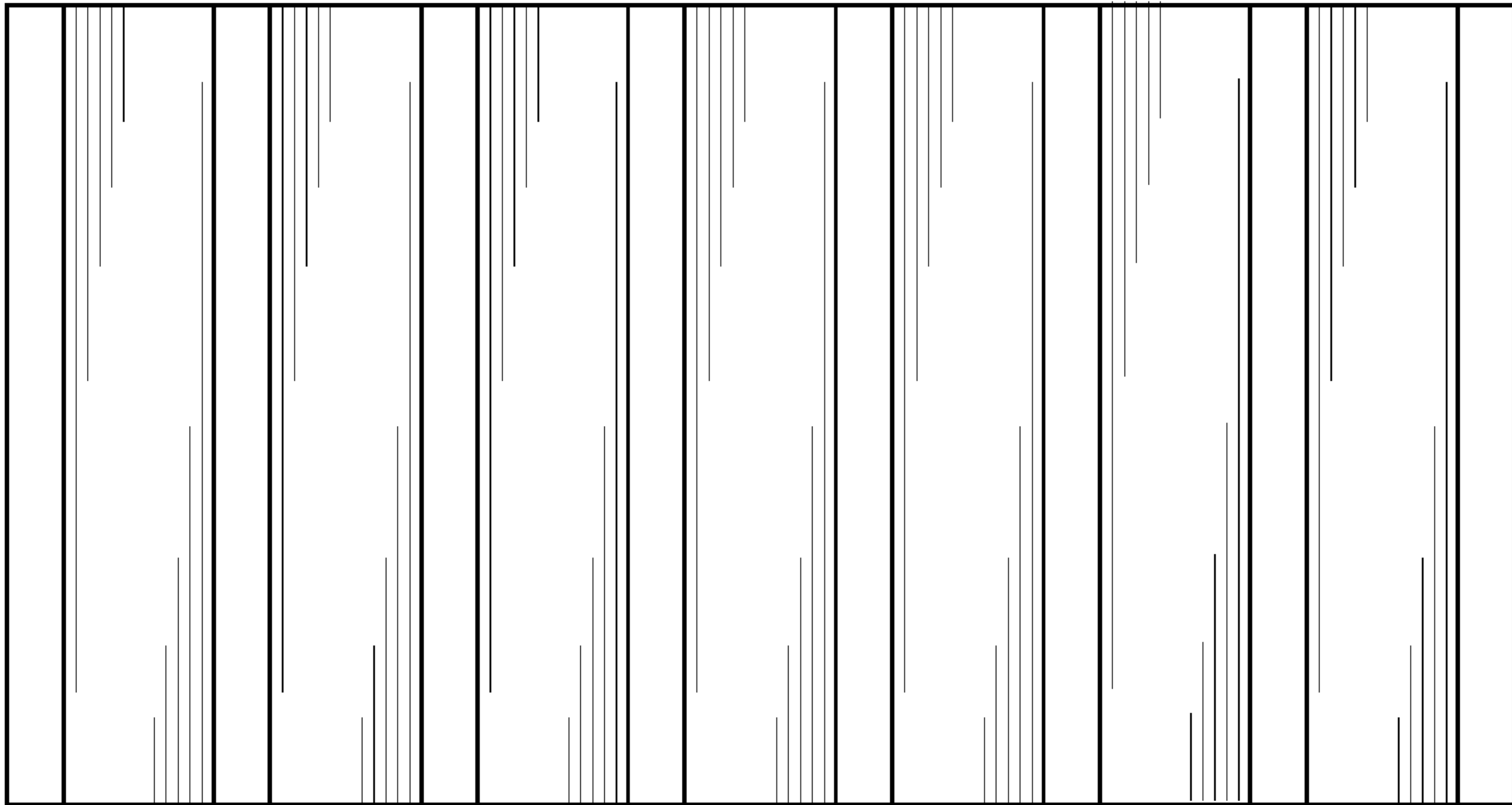


FIG. 7